



US00D516177S

(12) **United States Design Patent**
Ouyoung

(10) **Patent No.:** **US D516,177 S**
(45) **Date of Patent:** **** Feb. 28, 2006**

(54) **FAUCET**

(75) Inventor: **Scott Ouyoung**, Taichung (TW)

(73) Assignee: **Globe Union Industrial Corp.**,
Taichung (TW)

(**) Term: **14 Years**

(21) Appl. No.: **29/195,454**

(22) Filed: **Dec. 12, 2003**

(51) **LOC (8) Cl.** **23-01**

(52) **U.S. Cl.** **D23/241; D23/242**

(58) **Field of Classification Search** **D23/238-257;**
4/675-678; 137/801

See application file for complete search history.

(56) **References Cited**

U.S. PATENT DOCUMENTS

D466,981 S	*	12/2002	Cosolito et al.	D23/242
D472,608 S	*	4/2003	Shieh	D23/241
D497,410 S	*	10/2004	Warshawsky	D23/241

OTHER PUBLICATIONS

GIAGNI H1 Bridge Kitchen Faucet Dimension. <http://www.faucet.com/prodimages//giagni/H1.jpg>. Viewed Apr. 8, 2005, printed Apr. 5, 2005.*

* cited by examiner

Primary Examiner—Louis S. Zarfes

Assistant Examiner—Gregory Andoll

(74) *Attorney, Agent, or Firm*—Troxell Law Office, PLLC

(57) **CLAIM**

The ornamental design for a faucet, as shown and described.

DESCRIPTION

FIG. 1 is a top, left, front, perspective view of a faucet showing my new design;

FIG. 2 is a front elevational view thereof;

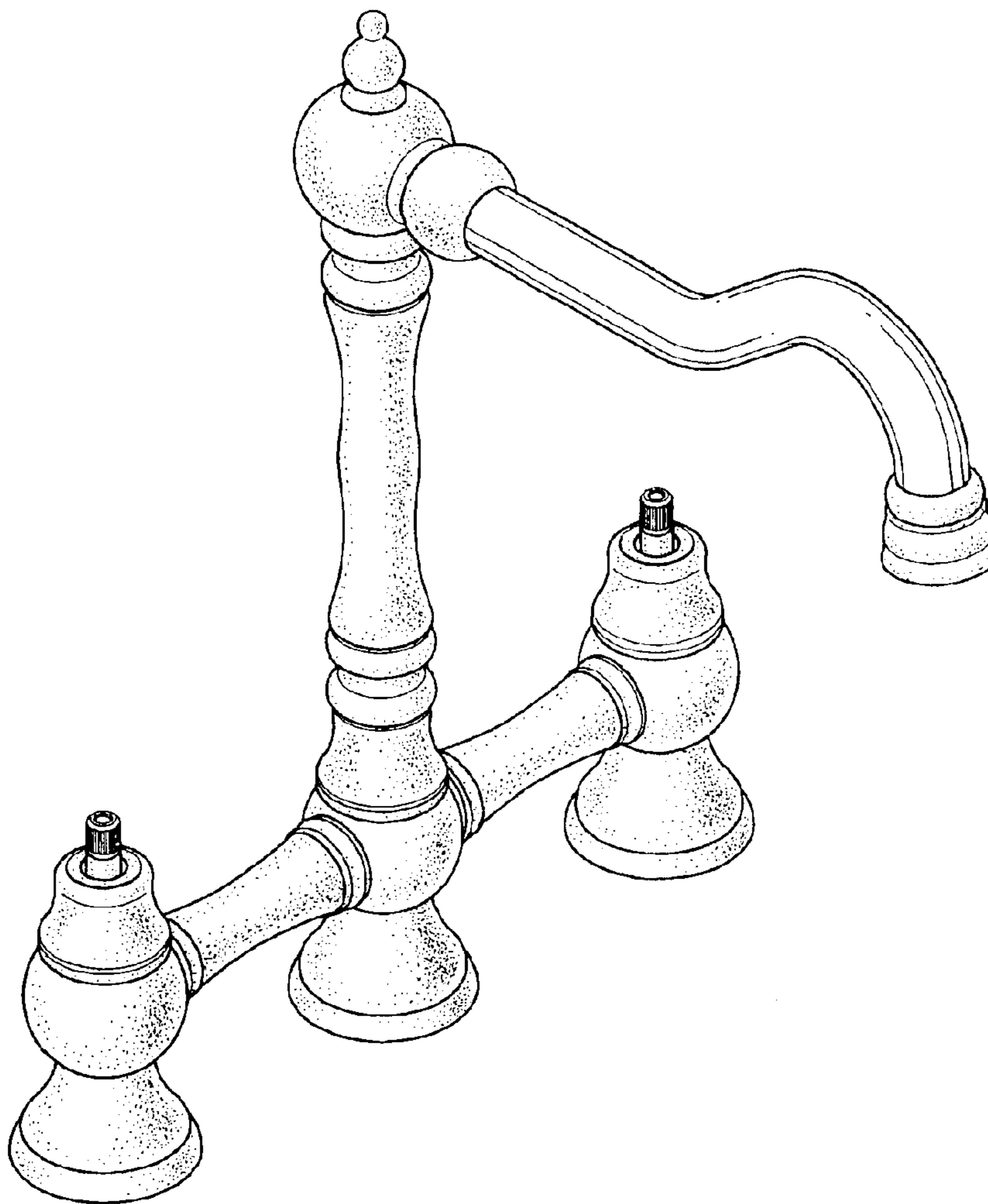
FIG. 3 is a rear elevational view thereof;

FIG. 4 is a left elevational view thereof;

FIG. 5 is a right elevational view thereof; and,

FIG. 6 is a top plan view thereof.

1 Claim, 6 Drawing Sheets



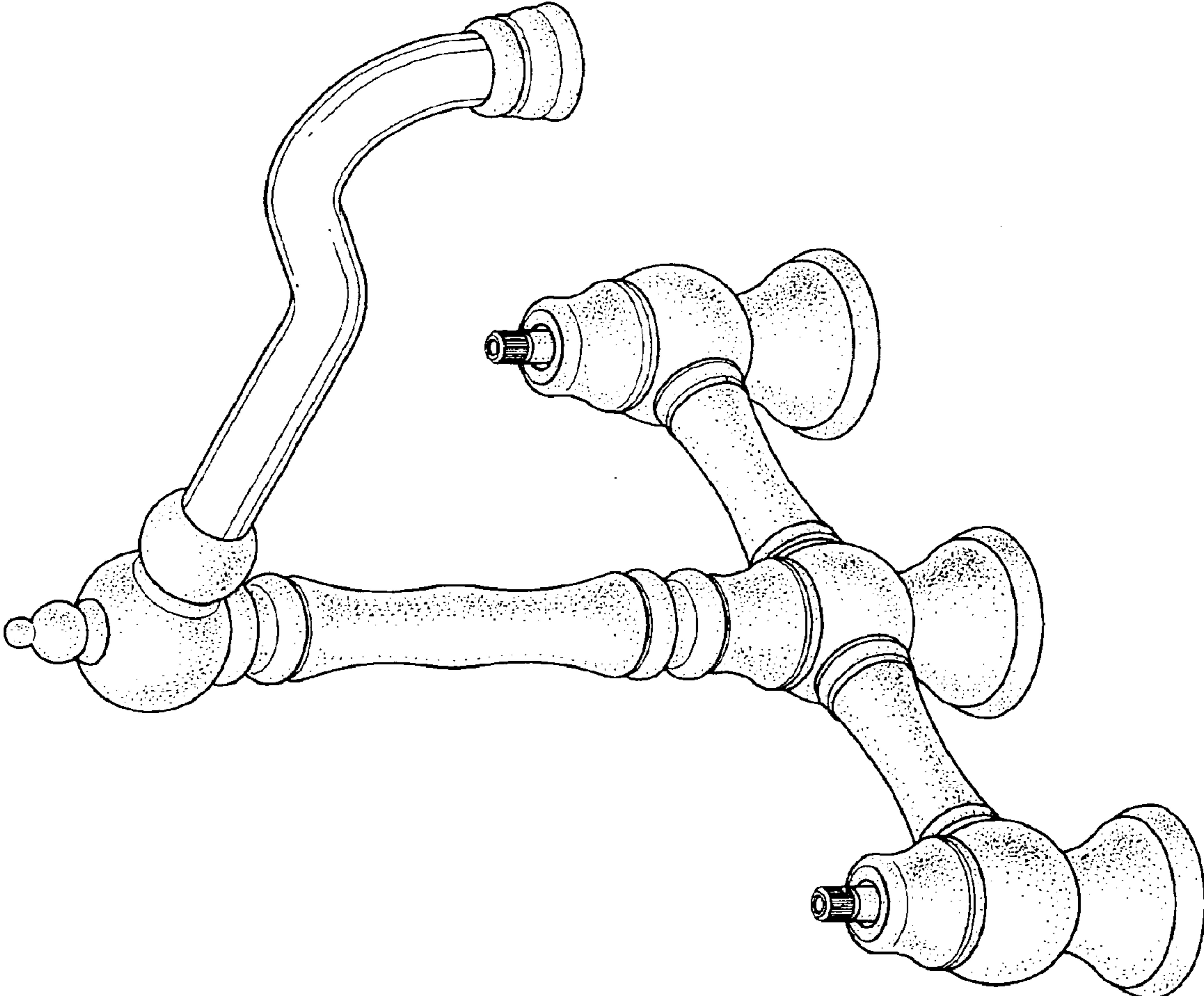


FIG. 1

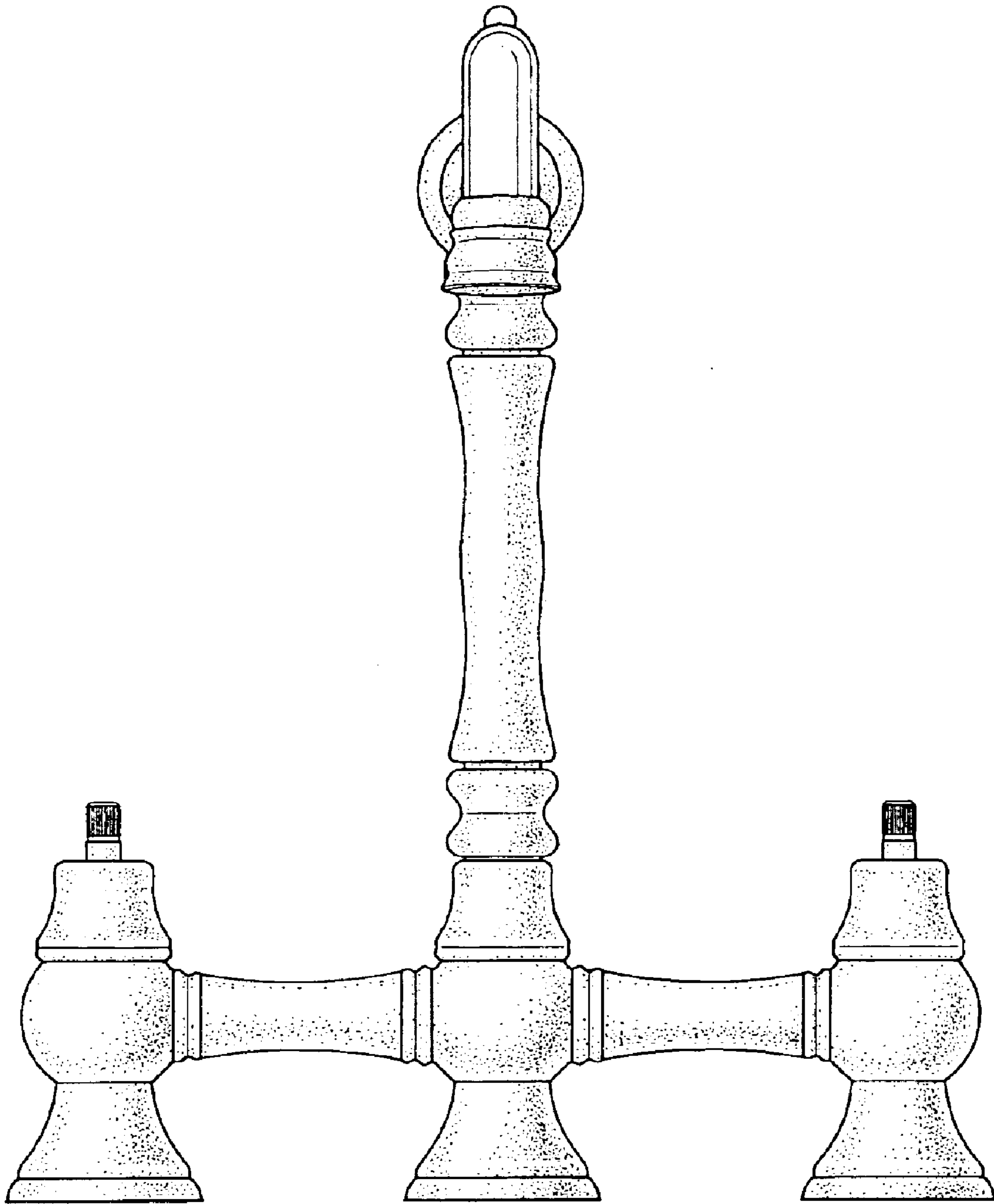


FIG. 2

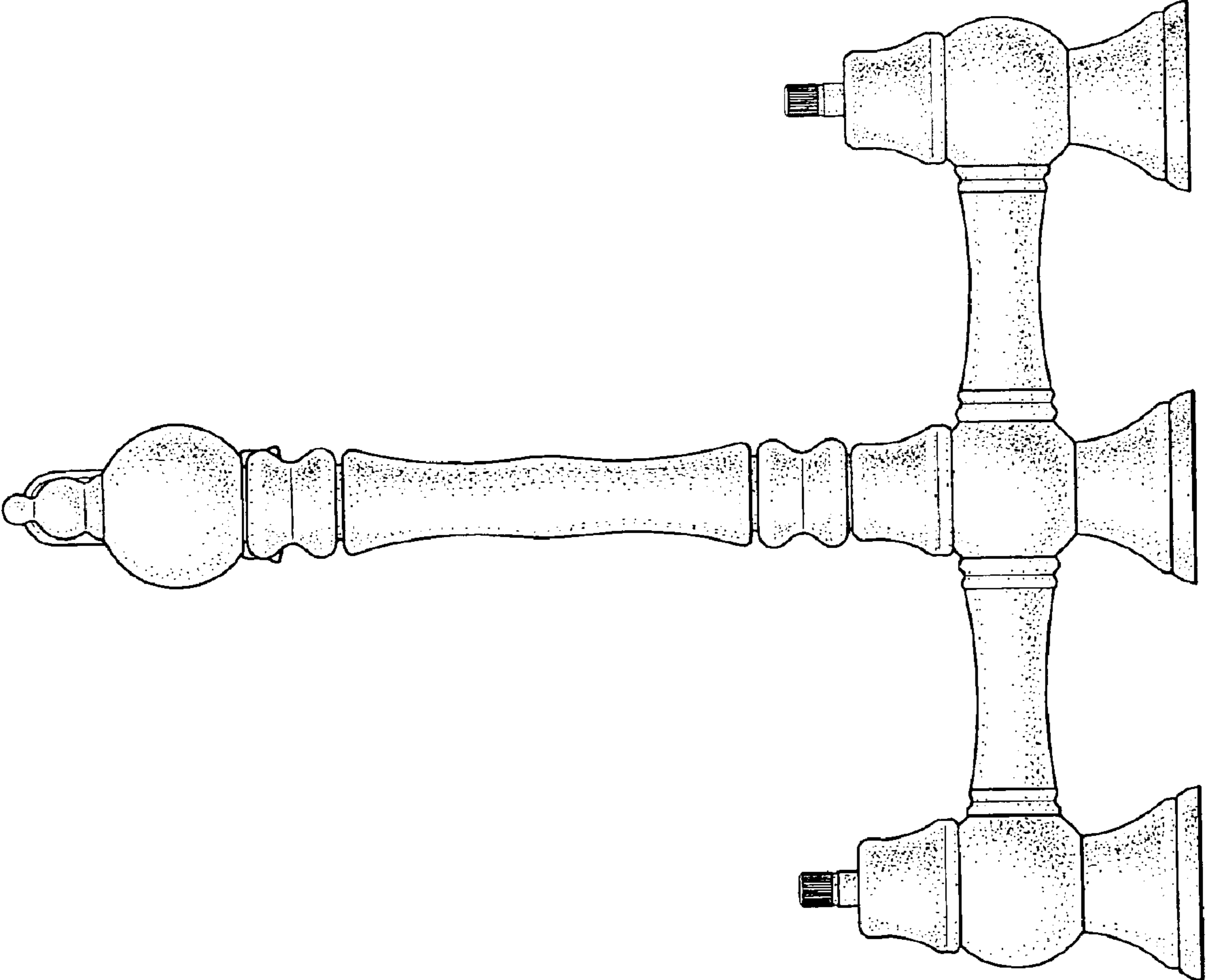
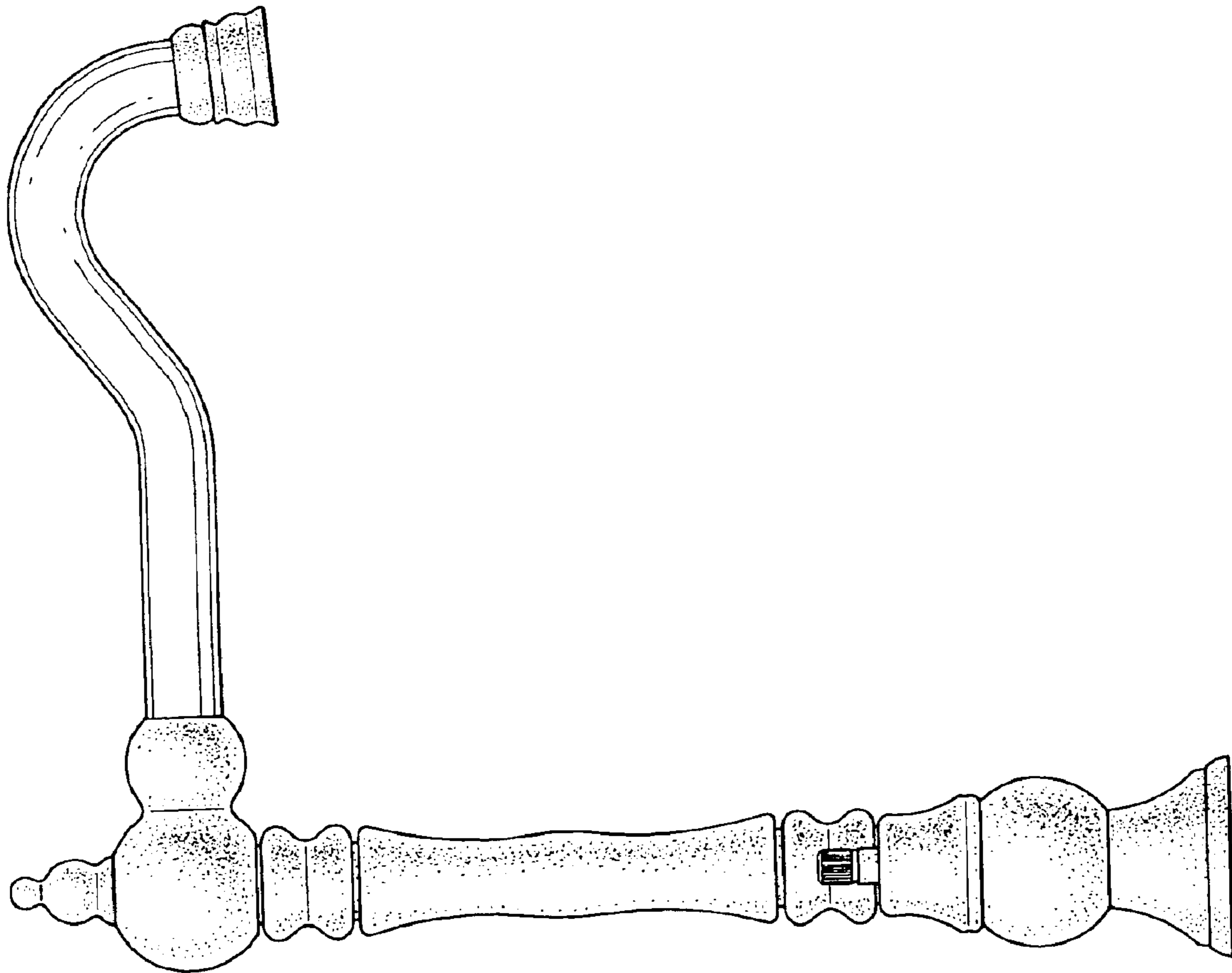


FIG. 3

FIG. 4



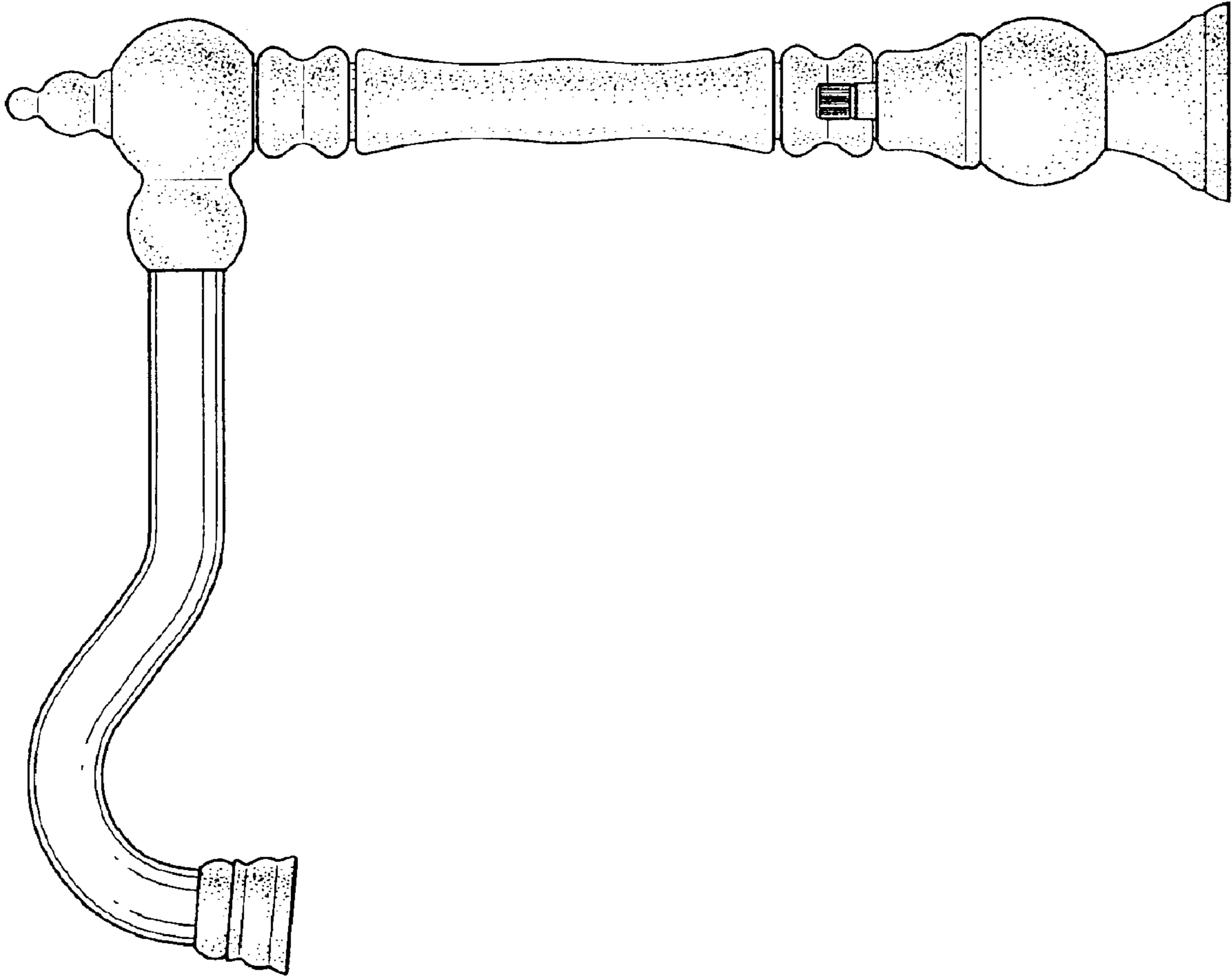


FIG. 5

FIG. 6

