

US00D516175S

(12) **United States Design Patent**
Ng

(10) **Patent No.:** **US D516,175 S**

(45) **Date of Patent:** **** Feb. 28, 2006**

(54) **FAUCET**

(75) **Inventor:** **Soo Kok Ng, Singapore (SG)**

(73) **Assignee:** **Genova Industries PTE LTD,**
Singapore (SG)

(**) **Term:** **14 Years**

(21) **Appl. No.:** **29/211,698**

(22) **Filed:** **Aug. 20, 2004**

(51) **LOC (8) Cl. 23-01**

(52) **U.S. Cl. D23/238**

(58) **Field of Classification Search** D23/238-257;
4/675-678; 137/801, 360; 251/143
See application file for complete search history.

(56) **References Cited**

U.S. PATENT DOCUMENTS

D29,025 S	*	7/1898	Gise	D23/238
D117,400 S	*	10/1939	Leffler	D23/238
D191,738 S	*	11/1961	Padavic	D23/238
D227,762 S	*	7/1973	Arbon	D23/238

5,577,530 A	*	11/1996	Condon	137/360
D436,653 S	*	1/2001	Lefroy-Brooks	D23/241
D489,432 S	*	5/2004	Lammel et al.	D23/238
2003/0111125 A1	*	6/2003	Johnson et al.		

* cited by examiner

Primary Examiner—Louis S. Zarfaz

Assistant Examiner—Gregory Andoll

(74) *Attorney, Agent, or Firm*—Leong C. Lei

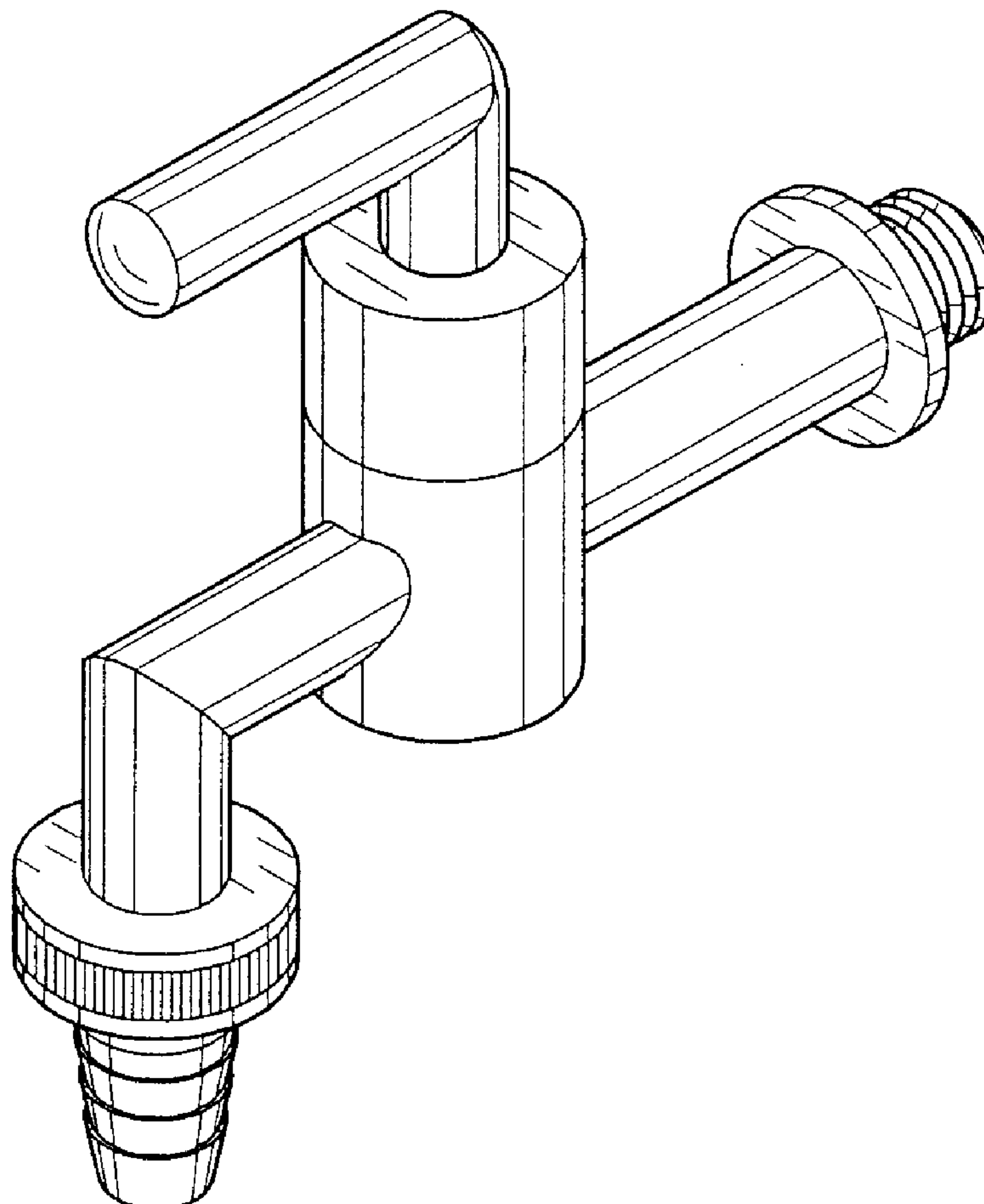
(57) **CLAIM**

The ornamental design for a faucet, as shown and described.

DESCRIPTION

FIG. 1 is a perspective view of a faucet showing my new design;
FIG. 2 is a front side elevation view thereof;
FIG. 3 is a rear side elevation view thereof;
FIG. 4 is a left side elevation view thereof;
FIG. 5 is a right side elevation view thereof;
FIG. 6 is a top plan view thereof; and,
FIG. 7 is a bottom plan view thereof.

1 Claim, 4 Drawing Sheets



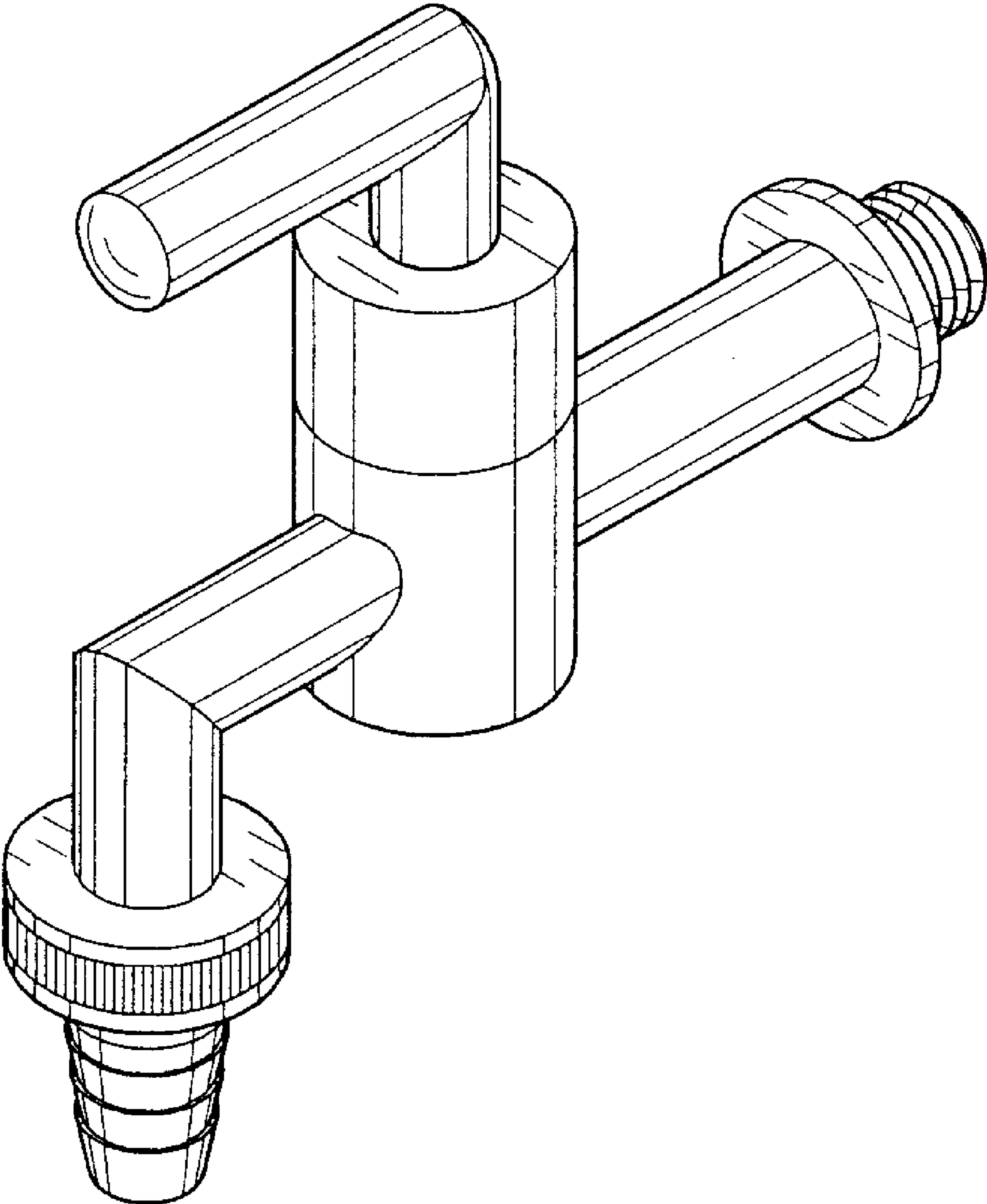


FIG. 1

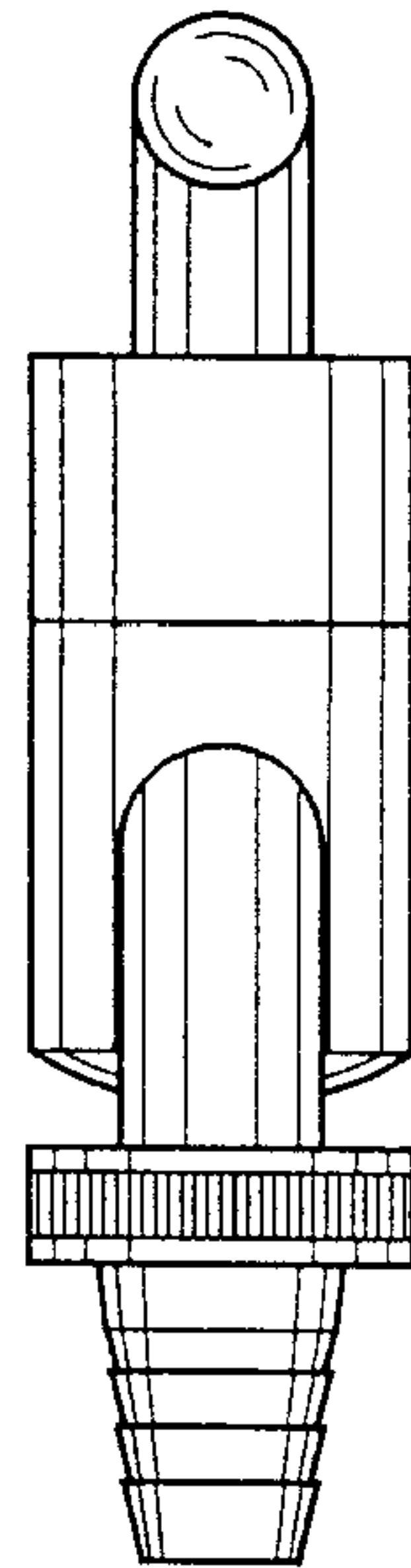


FIG. 2

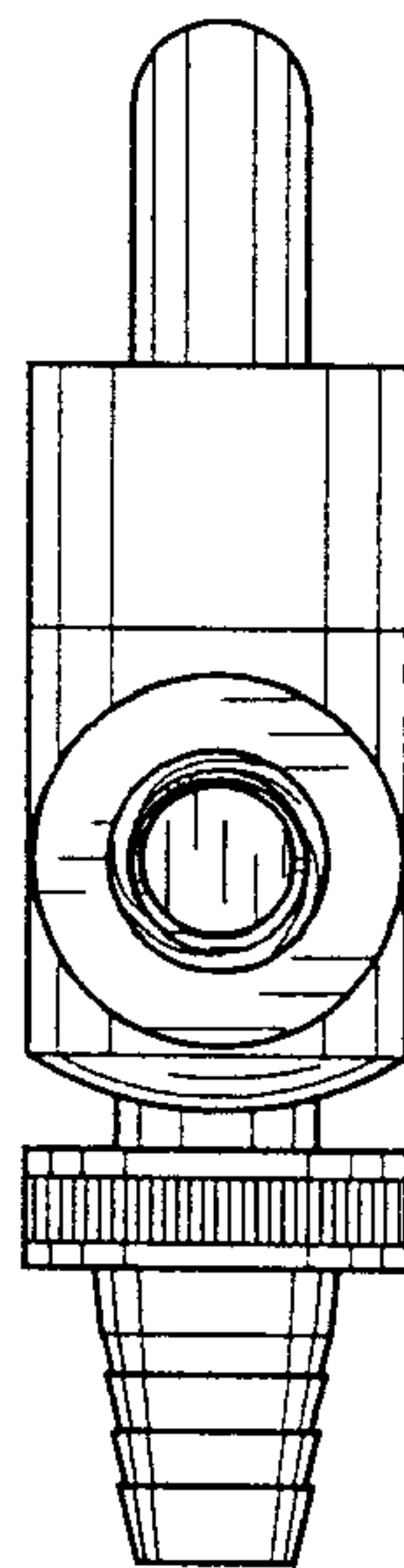


FIG. 3

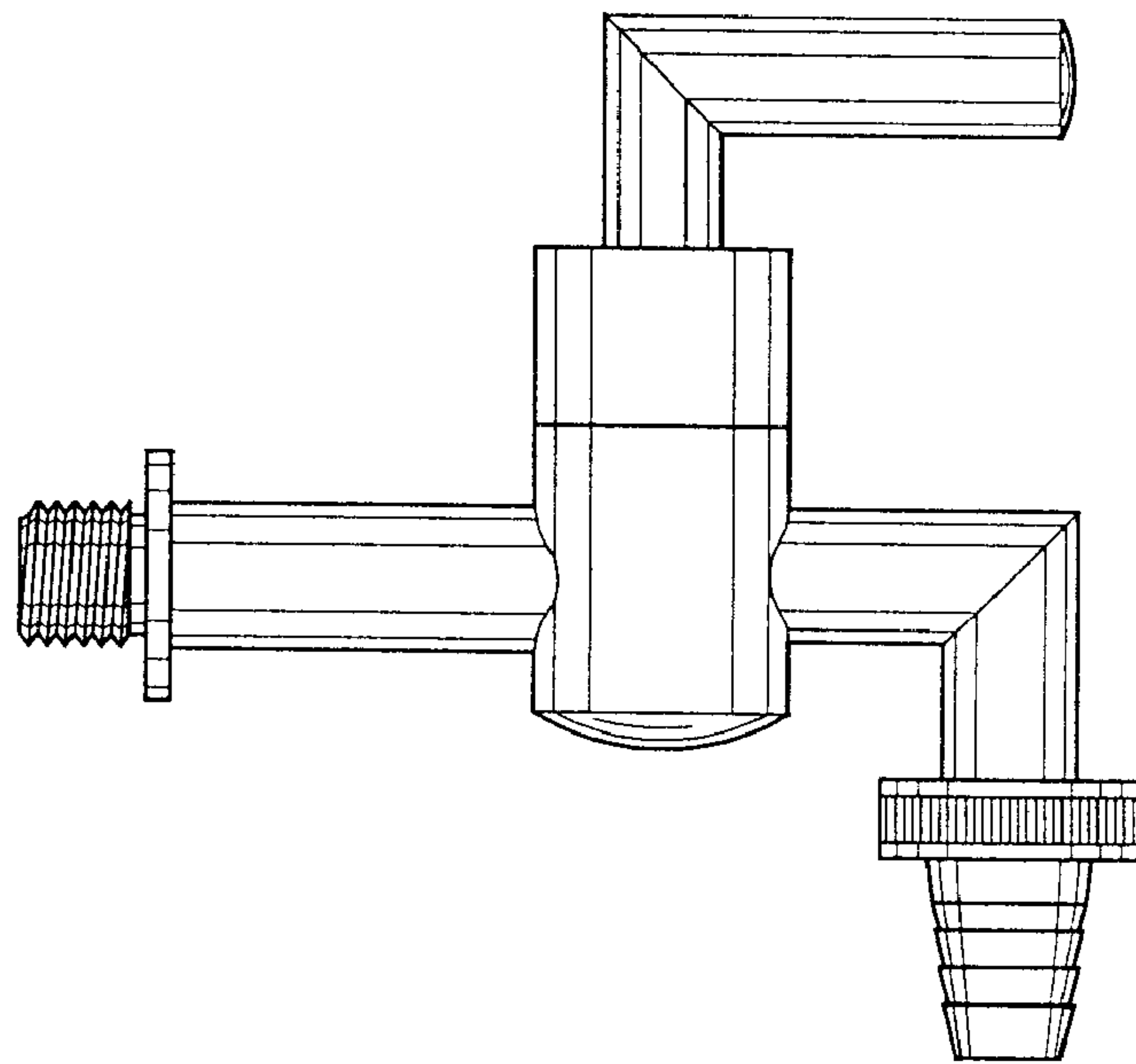


FIG. 4

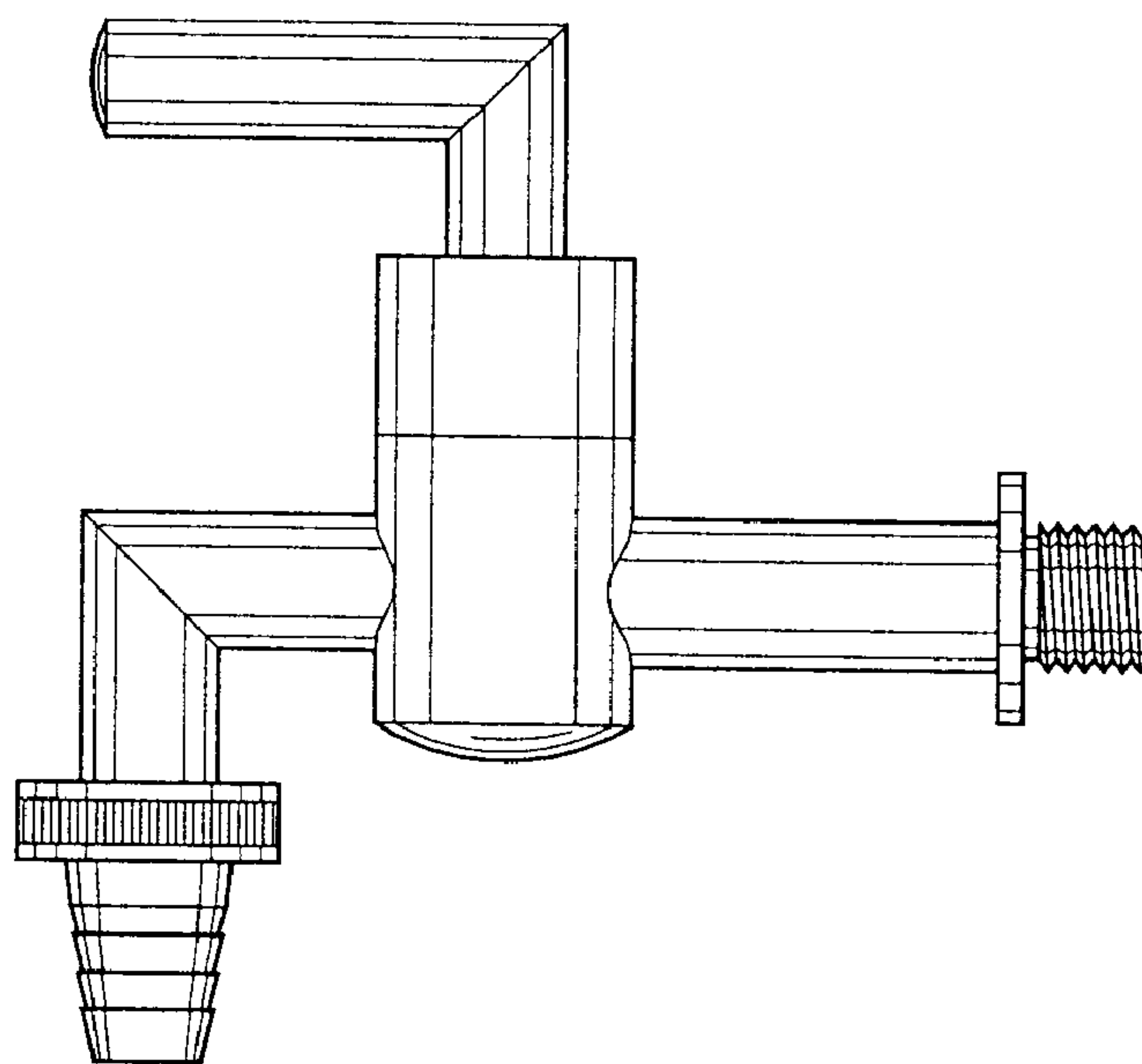


FIG. 5

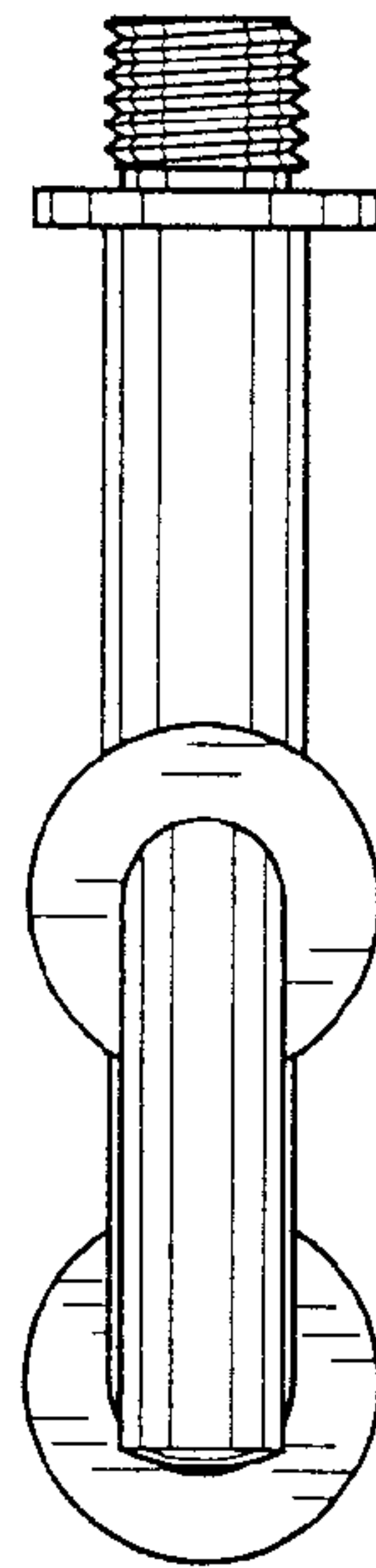


FIG. 6

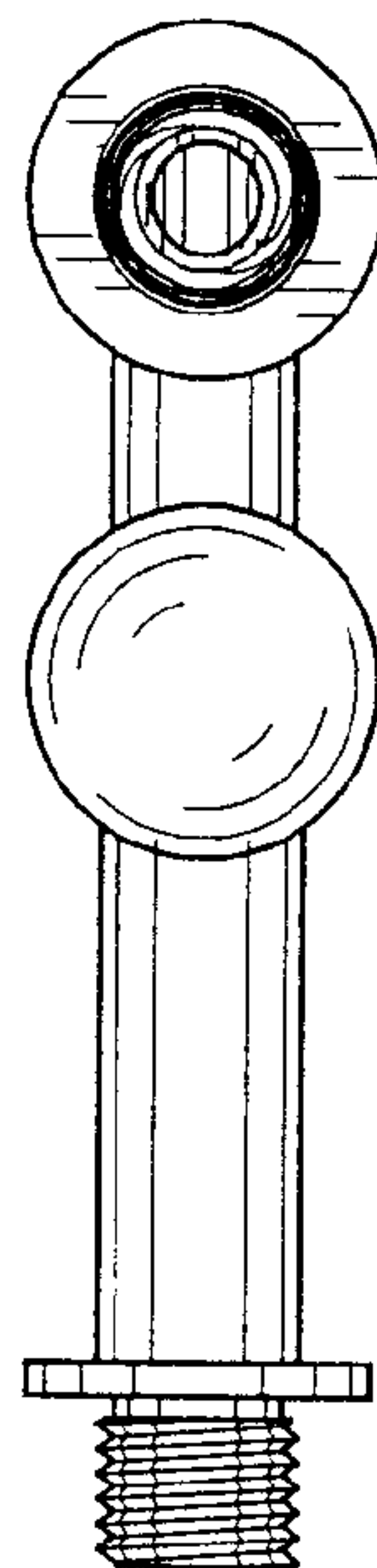


FIG. 7