



US00D516167S

(12) **United States Design Patent**  
**Leer et al.**

(10) **Patent No.: US D516,167 S**  
(45) **Date of Patent: \*\* \*Feb. 28, 2006**

(54) **TANK FOR PRESSURIZED SPRAYER**

(75) Inventors: **Rick Leer**, Somerset, PA (US);  
**Timothy S. Devore**, Rockwood, PA  
(US); **Thomas C. Oylar**, Louisville,  
KY (US)

(73) Assignee: **Gilmour, Inc.**, Newark, DE (US)

(\*) Notice: This patent is subject to a terminal dis-  
claimer.

(\*\*) Term: **14 Years**

(21) Appl. No.: **29/212,654**

(22) Filed: **Sep. 4, 2004**

(51) **LOC (8) Cl.** ..... **23-01**

(52) **U.S. Cl.** ..... **D23/225**

(58) **Field of Classification Search** ..... D23/213,  
D23/202, 225; 239/302, 308, 333, 373, 337;  
222/400.8, 402.15

See application file for complete search history.

(56) **References Cited**

**U.S. PATENT DOCUMENTS**

D224,531 S \* 8/1972 Kirkbride ..... D23/225

D307,628 S \* 5/1990 Ballu ..... D23/225  
D327,528 S \* 6/1992 Sears et al. .... D23/225  
D347,047 S \* 5/1994 Wood ..... D23/225  
6,695,228 B1 \* 2/2004 Odessa ..... 239/337  
D490,140 S \* 5/2004 Byron ..... D23/225

\* cited by examiner

*Primary Examiner*—Robin V. Webster

(74) *Attorney, Agent, or Firm*—Victor A. Henzi

(57) **CLAIM**

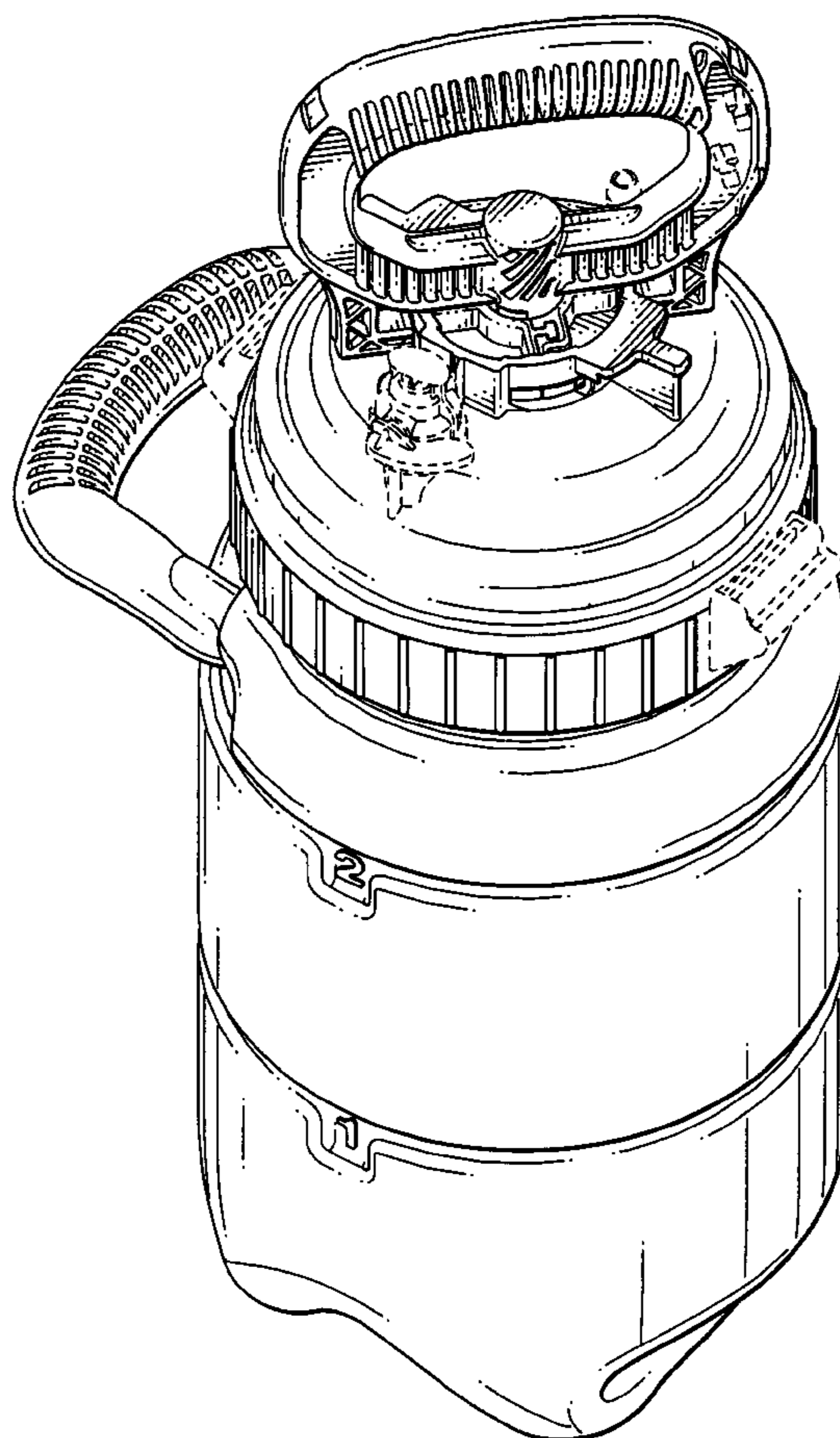
The ornamental design for a tank for pressurized sprayer, as  
shown and described.

**DESCRIPTION**

FIG. 1 is a front right perspective view of the present new  
design for a tank for pressurized sprayer;  
FIG. 2 is a right elevational view thereof;  
FIG. 3 is a left elevational view thereof;  
FIG. 4 is a rear elevational view thereof;  
FIG. 5 is a front elevational view thereof;  
FIG. 6 is a top plan view thereof; and,  
FIG. 7 is a bottom plan view thereof.

The broken lines showing various features of a tank for  
pressurized sprayer are for illustrative purposes only and  
form no part of the claimed design.

**1 Claim, 6 Drawing Sheets**



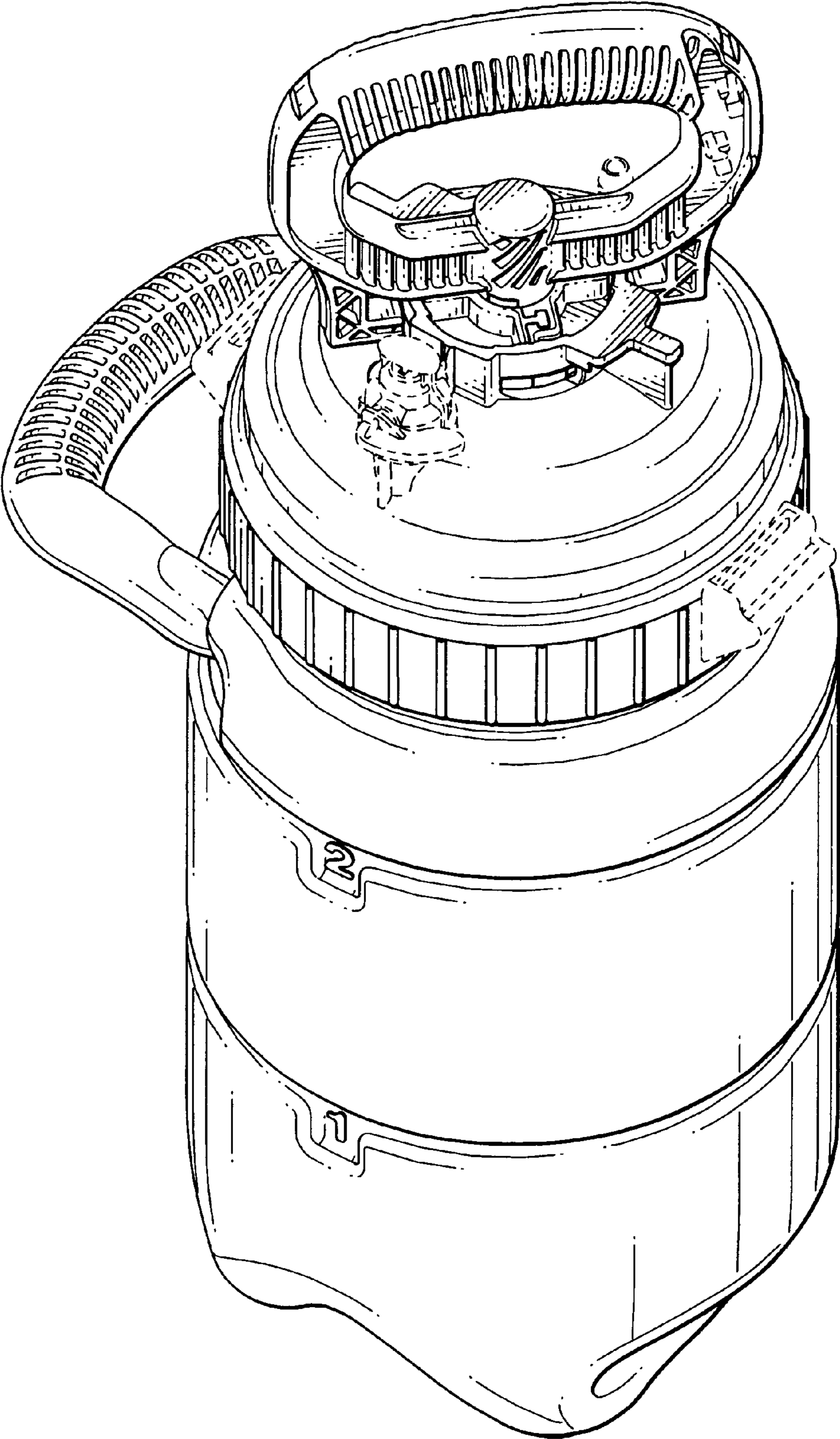


FIG. 1

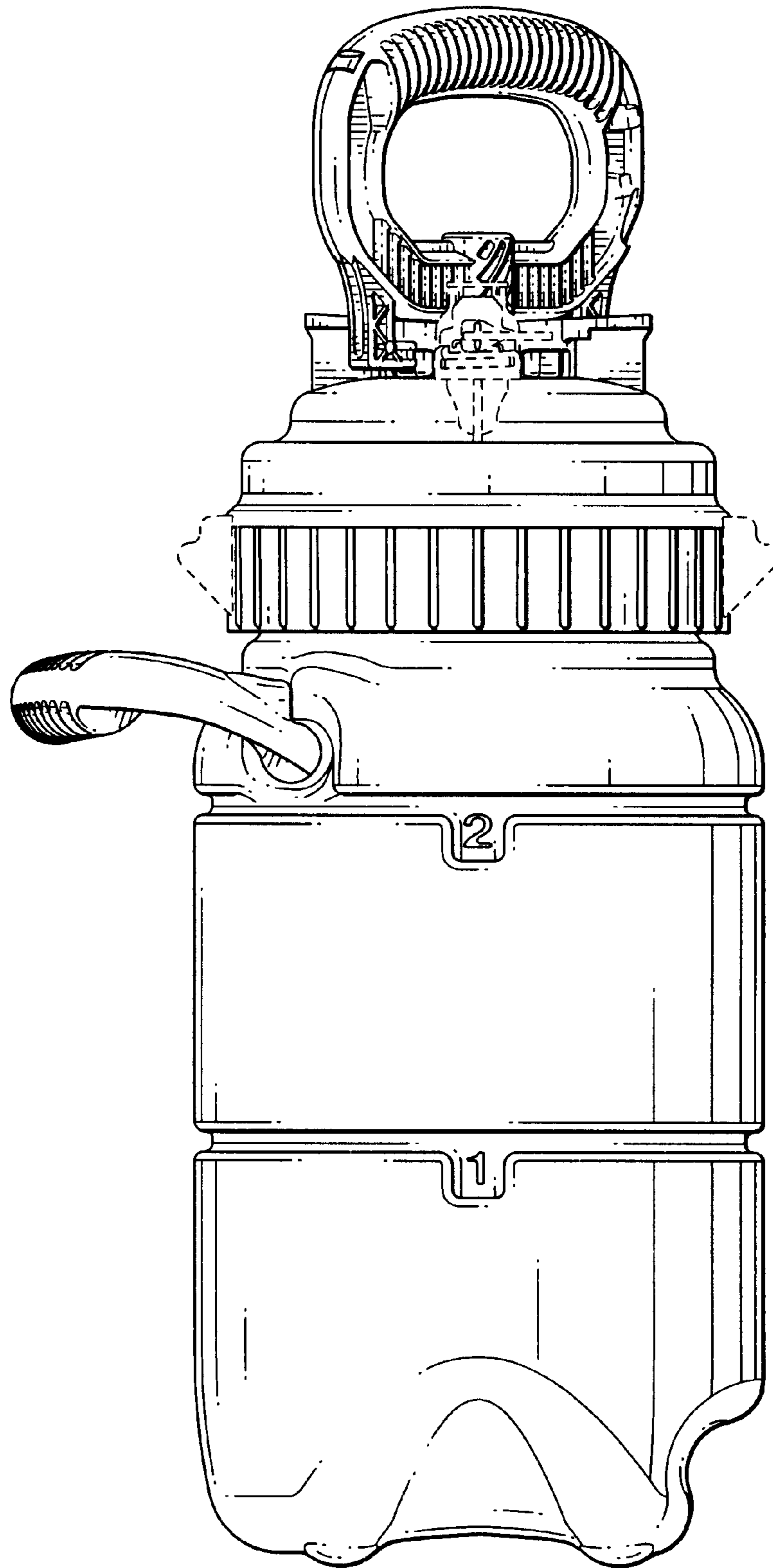


FIG. 2

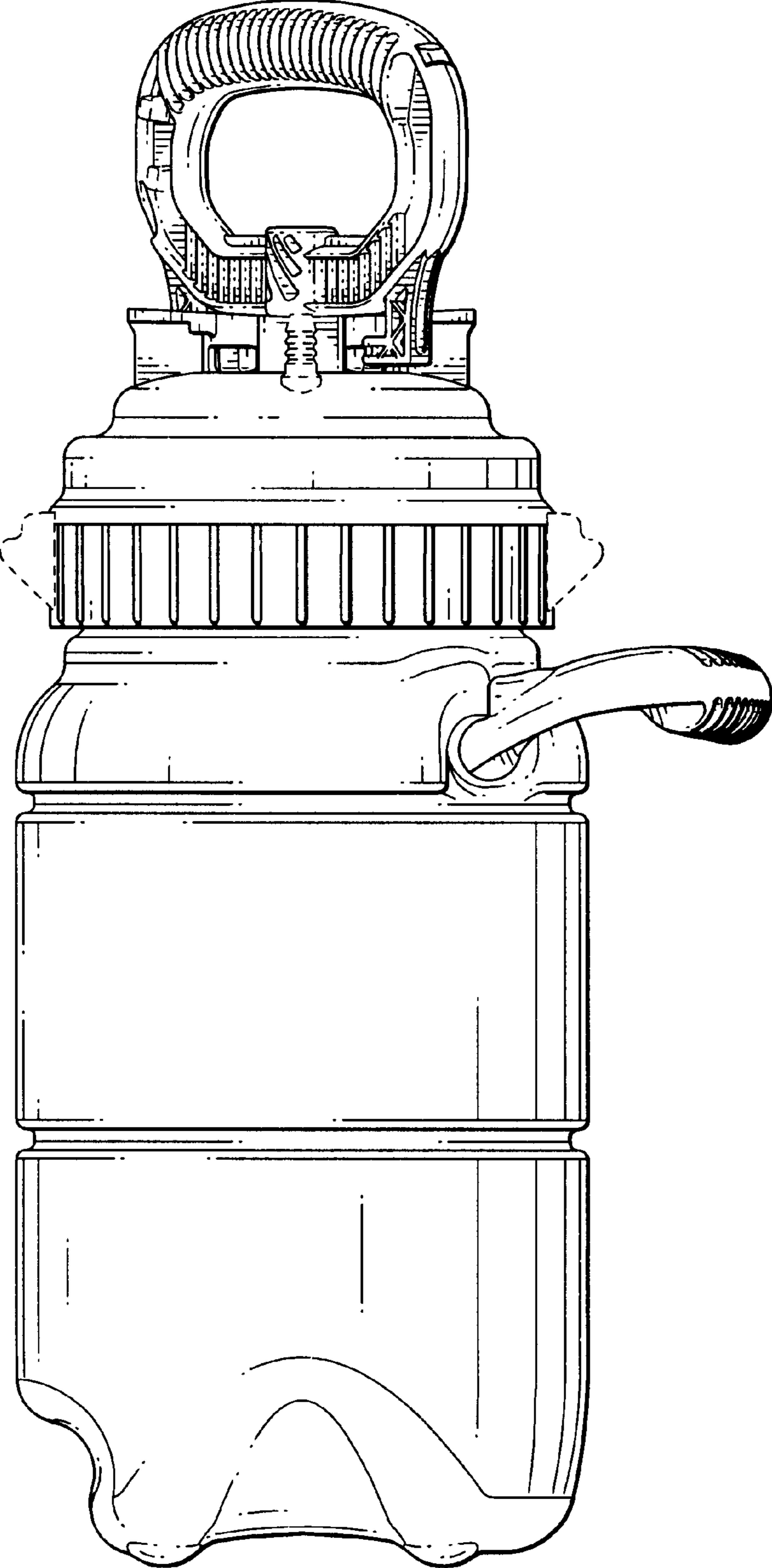


FIG. 3

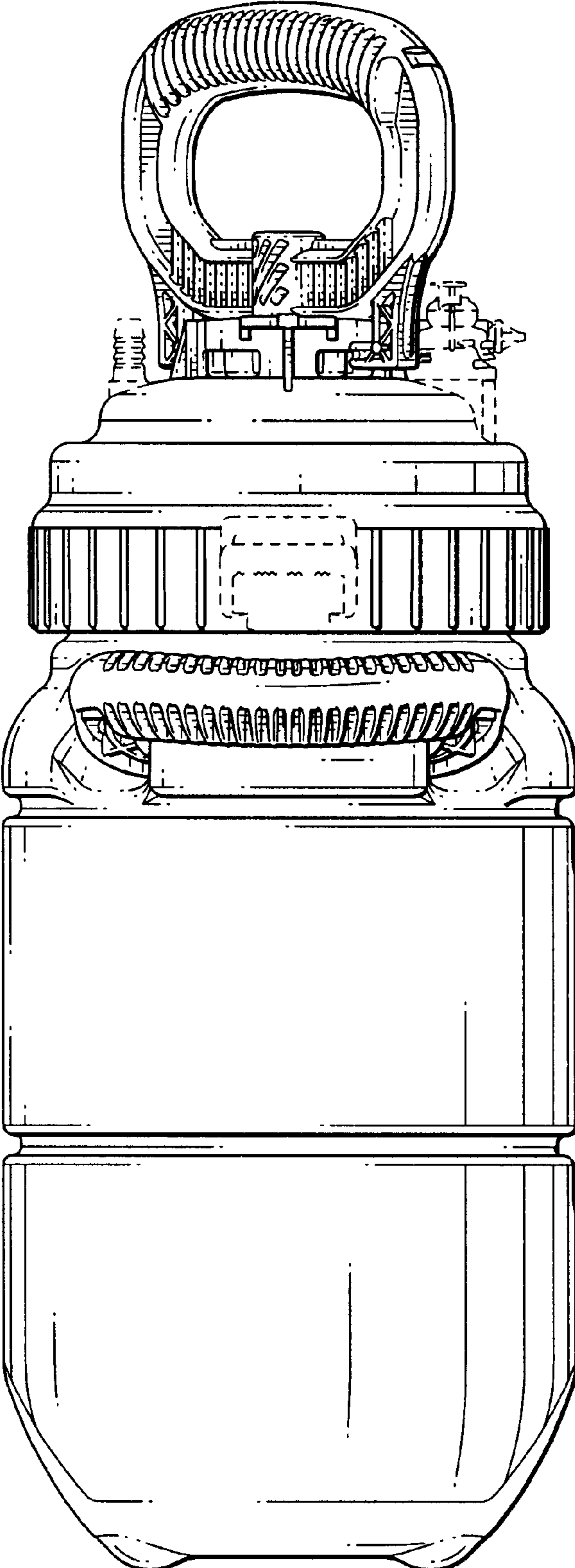


FIG. 4

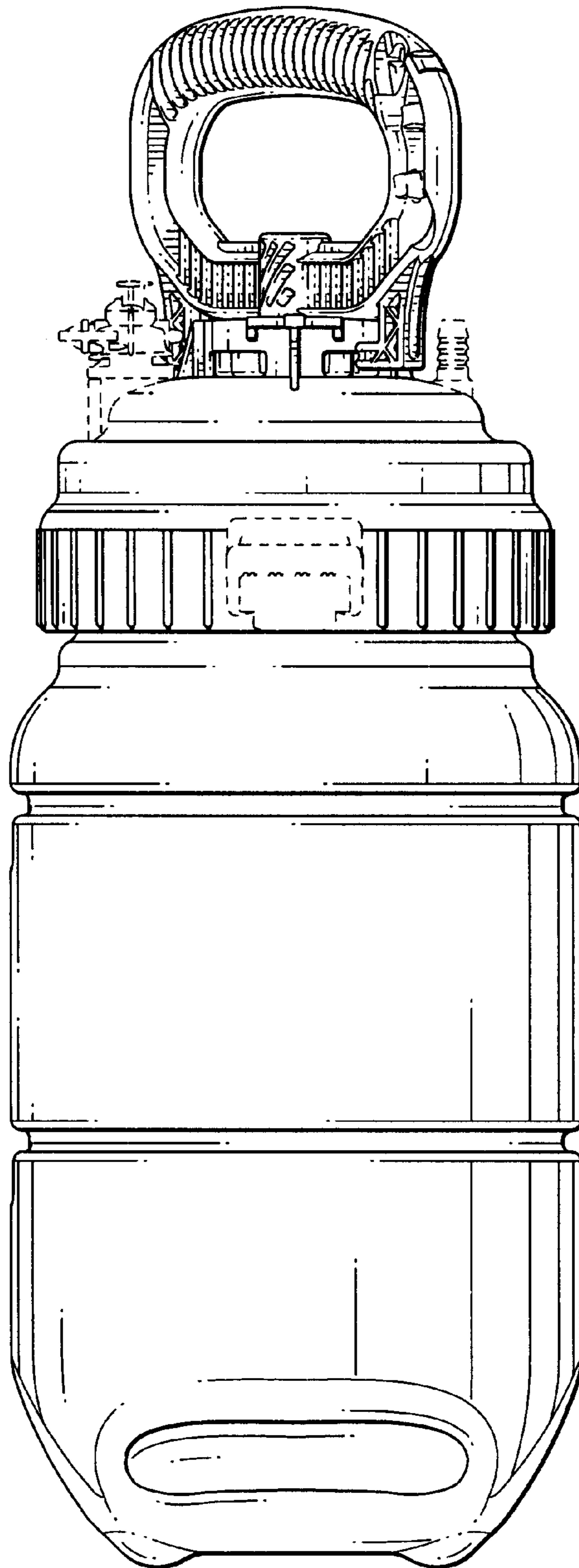


FIG. 5

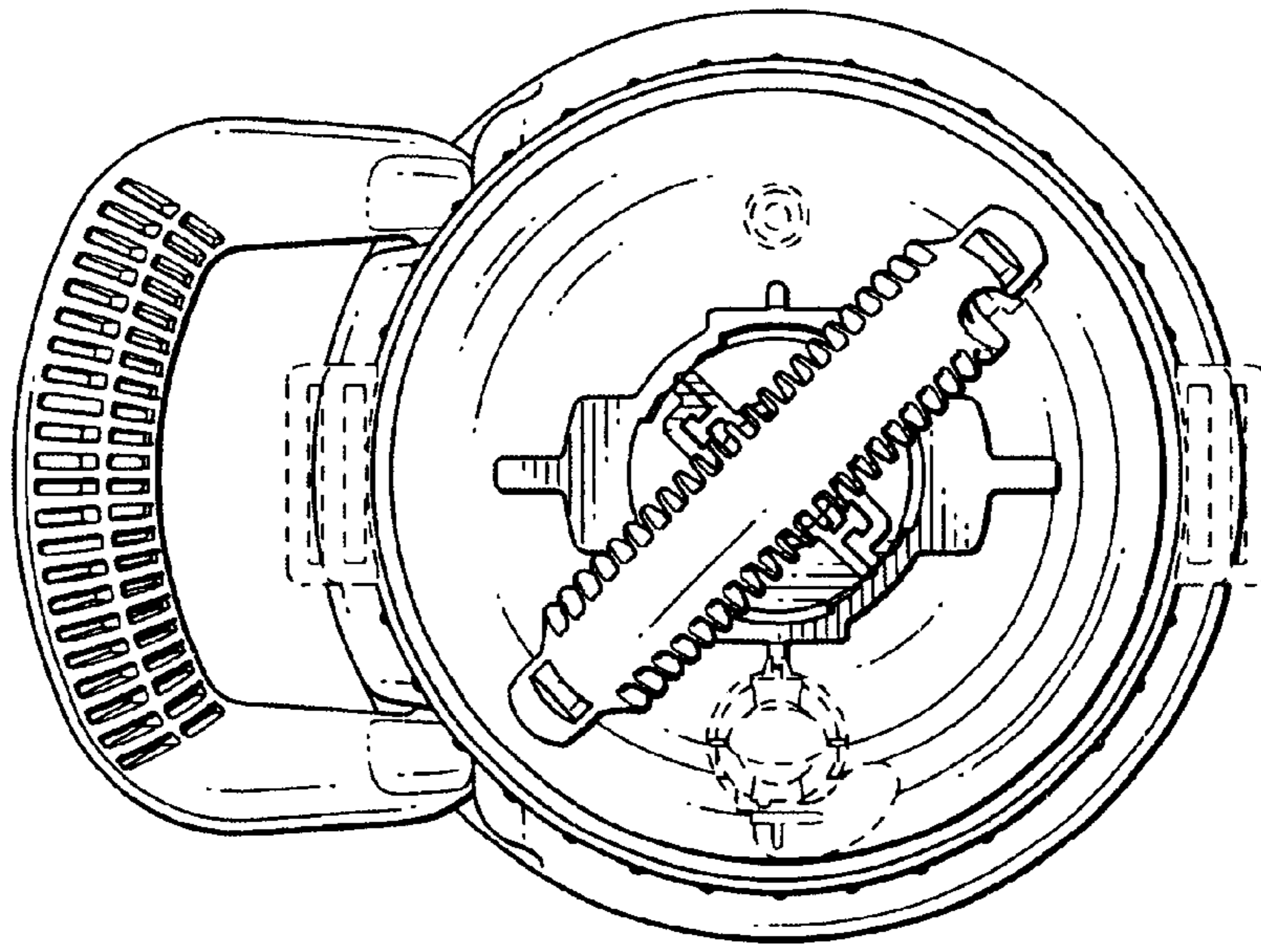


FIG. 6

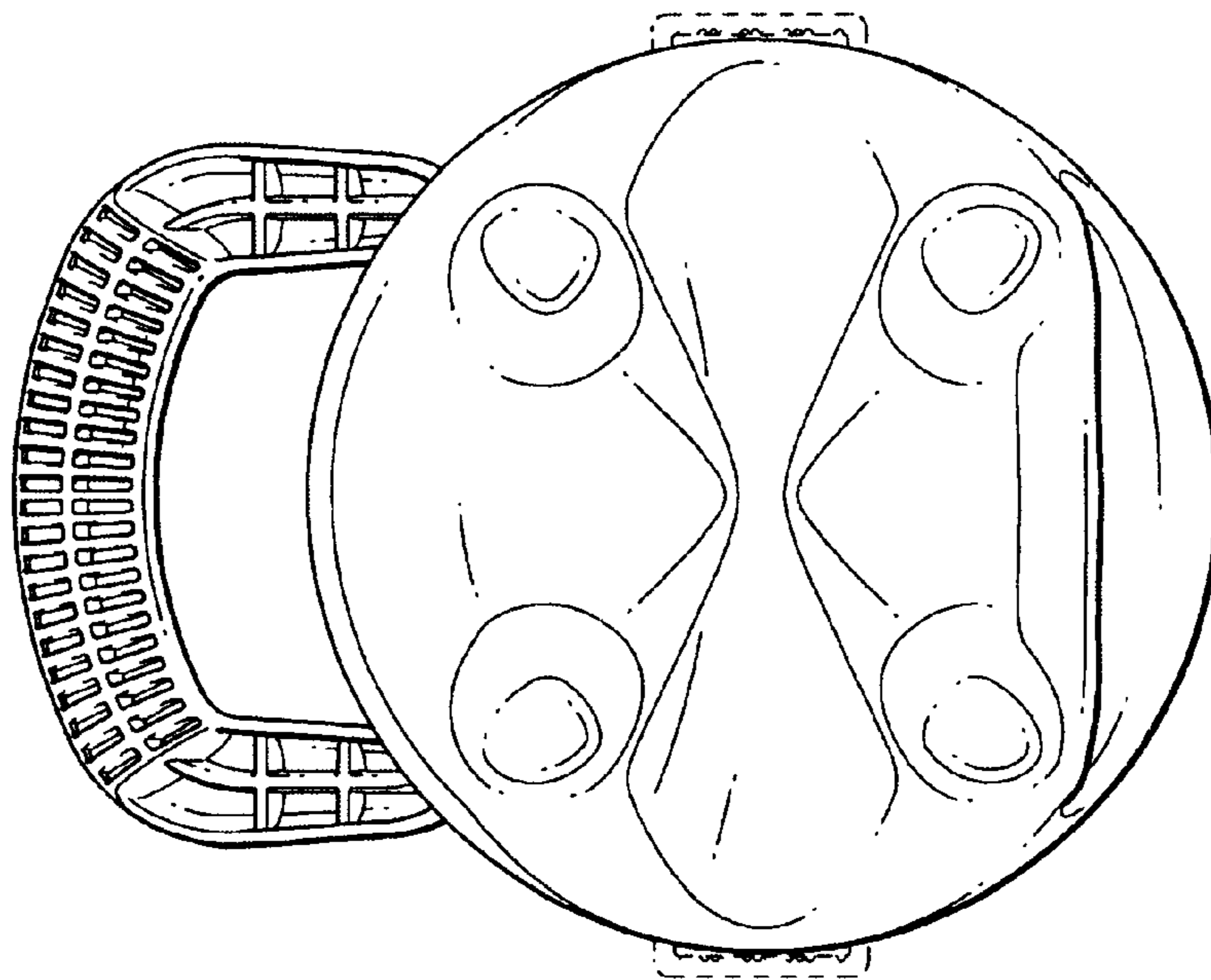


FIG. 7