



US00D516166S

(12) **United States Design Patent** (10) **Patent No.:** **US D516,166 S**
Gregory (45) **Date of Patent:** **** Feb. 28, 2006**

(54) **SPRINKLER NOZZLE INSERT TREE**

(75) Inventor: **Christian T. Gregory**, La Crescenta, CA (US)

(73) Assignee: **Rain Bird Corporation**, Glendora, CA (US)

(**) Term: **14 Years**

(21) Appl. No.: **29/211,287**

(22) Filed: **Aug. 13, 2004**

(51) **LOC (8) Cl.** **23-01**

(52) **U.S. Cl.** **D23/214; D3/315**

(58) **Field of Classification Search** D23/214;
D9/341, 343; D3/201, 315; 239/289; 294/87.1,
294/87.2

See application file for complete search history.

(56) **References Cited**

U.S. PATENT DOCUMENTS

D351,555 S	*	10/1994	Blott	D9/750
D415,415 S		10/1999	Robertson		
D433,939 S	*	11/2000	Humphrey	D9/418
6,234,411 B1		5/2001	Walker et al.		
6,460,701 B1		10/2002	Nytko		
D486,884 S		2/2004	Gregory et al.		

* cited by examiner

Primary Examiner—Robin V. Webster
(74) *Attorney, Agent, or Firm*—Fitch, Even, Tabin & Flannery

(57) **CLAIM**

I claim the ornamental design for a sprinkler nozzle insert tree, as shown and described.

DESCRIPTION

The present application is related to and claims priority to U.S. Utility Application Ser. No. 10/883,940, filed Jul. 2, 2004, and titled “Sprinkler Nozzle Insert Assembly”.

FIG. 1 is a perspective view of a sprinkler nozzle insert tree according to my new design, the broken lines of which are for illustrative purposes only and form no part of the claimed design;

FIG. 2 is a plan view of the sprinkler nozzle insert tree of FIG. 1, the broken lines of which are for illustrative purposes only and form no part of the claimed design;

FIG. 3 is a right side elevational view of the sprinkler nozzle insert tree of FIG. 1 and the left side is identical thereto;

FIG. 4 is a front elevational view of the sprinkler nozzle insert tree of FIG. 1 and the rear side is identical thereto; and,

FIG. 5 is a bottom view of the sprinkler nozzle insert tree of FIG. 1, the broken lines of which are for illustrative purposes only and form no part of the claimed design.

1 Claim, 2 Drawing Sheets

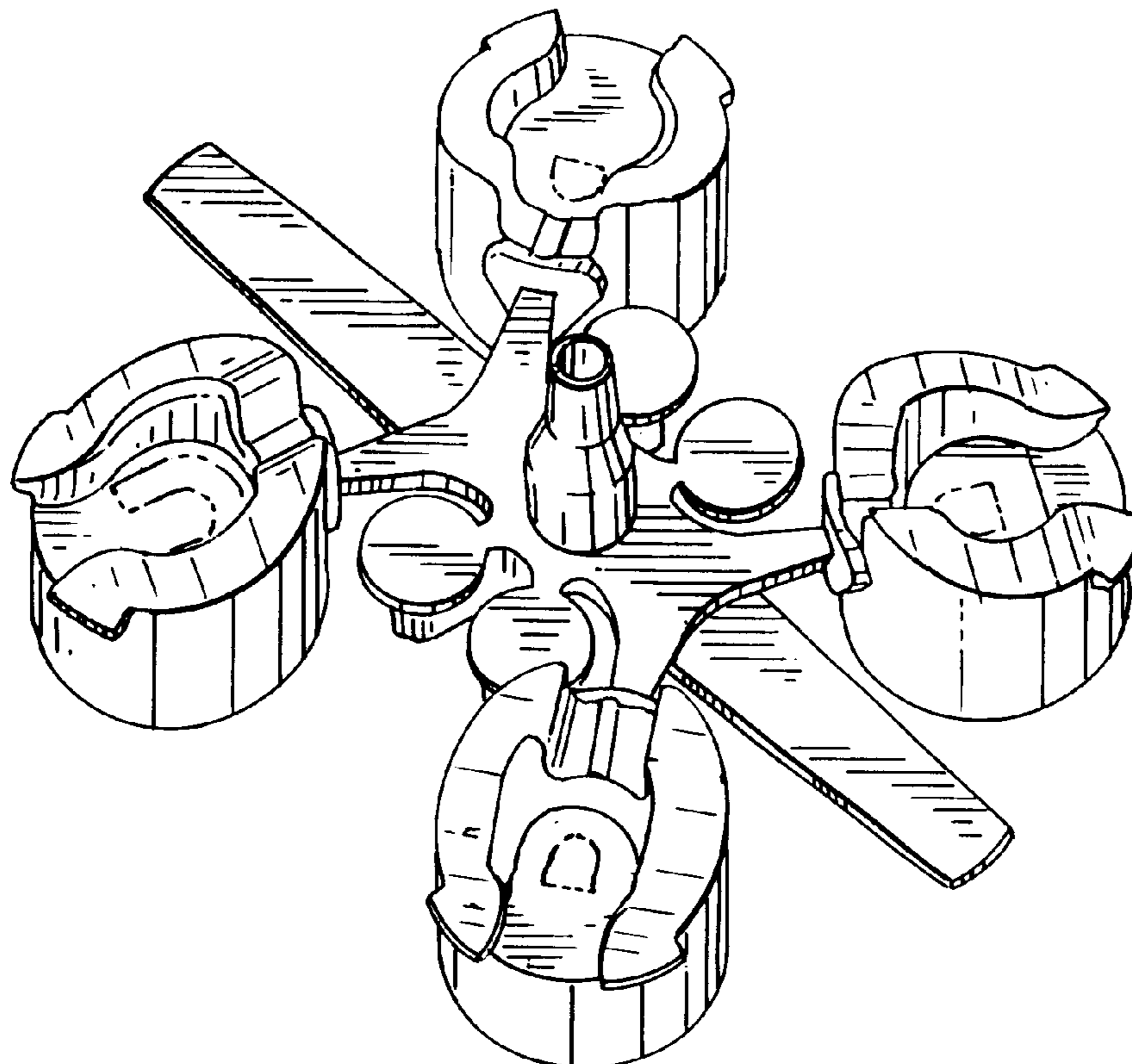


FIG. 1

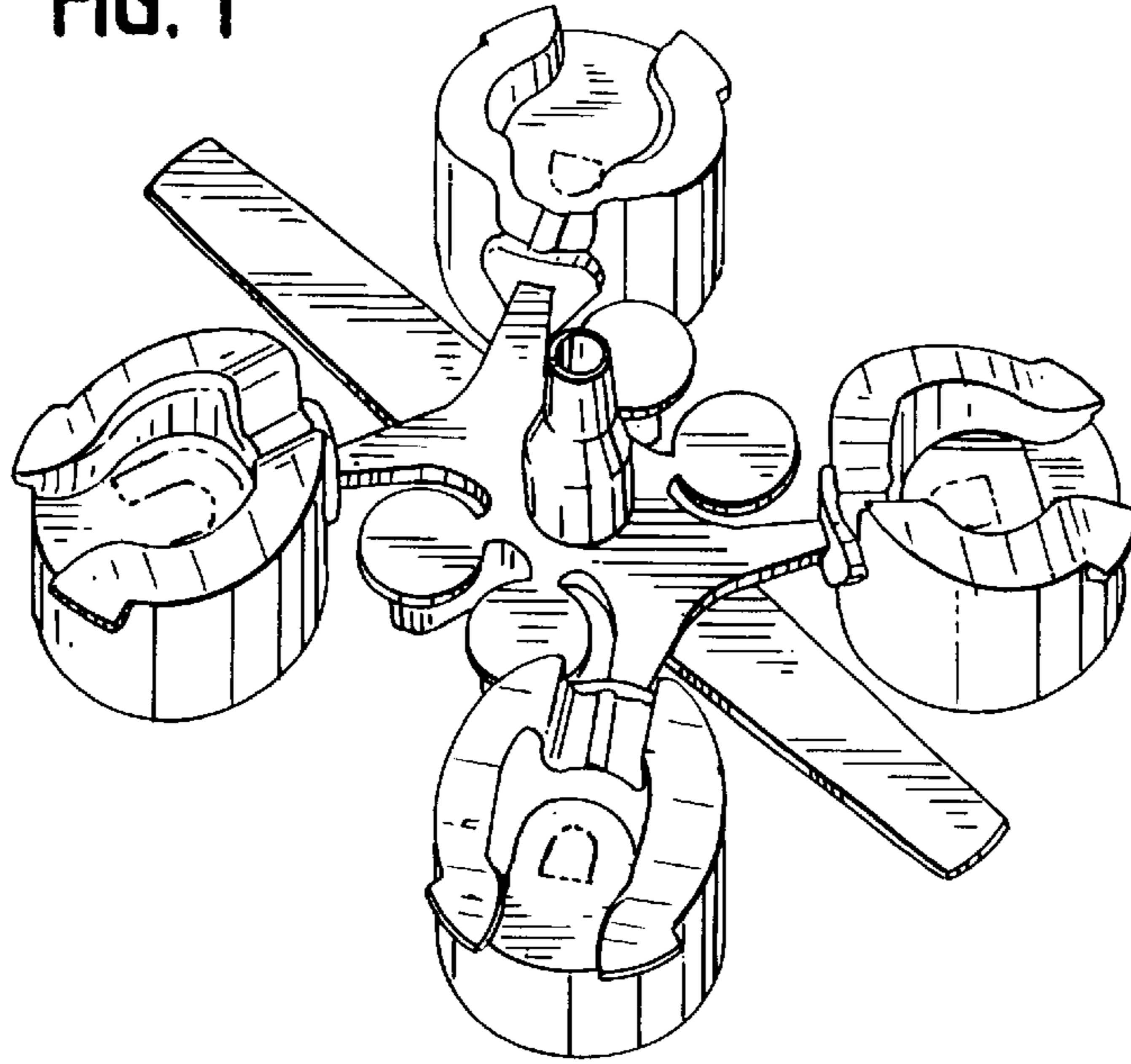


FIG. 2

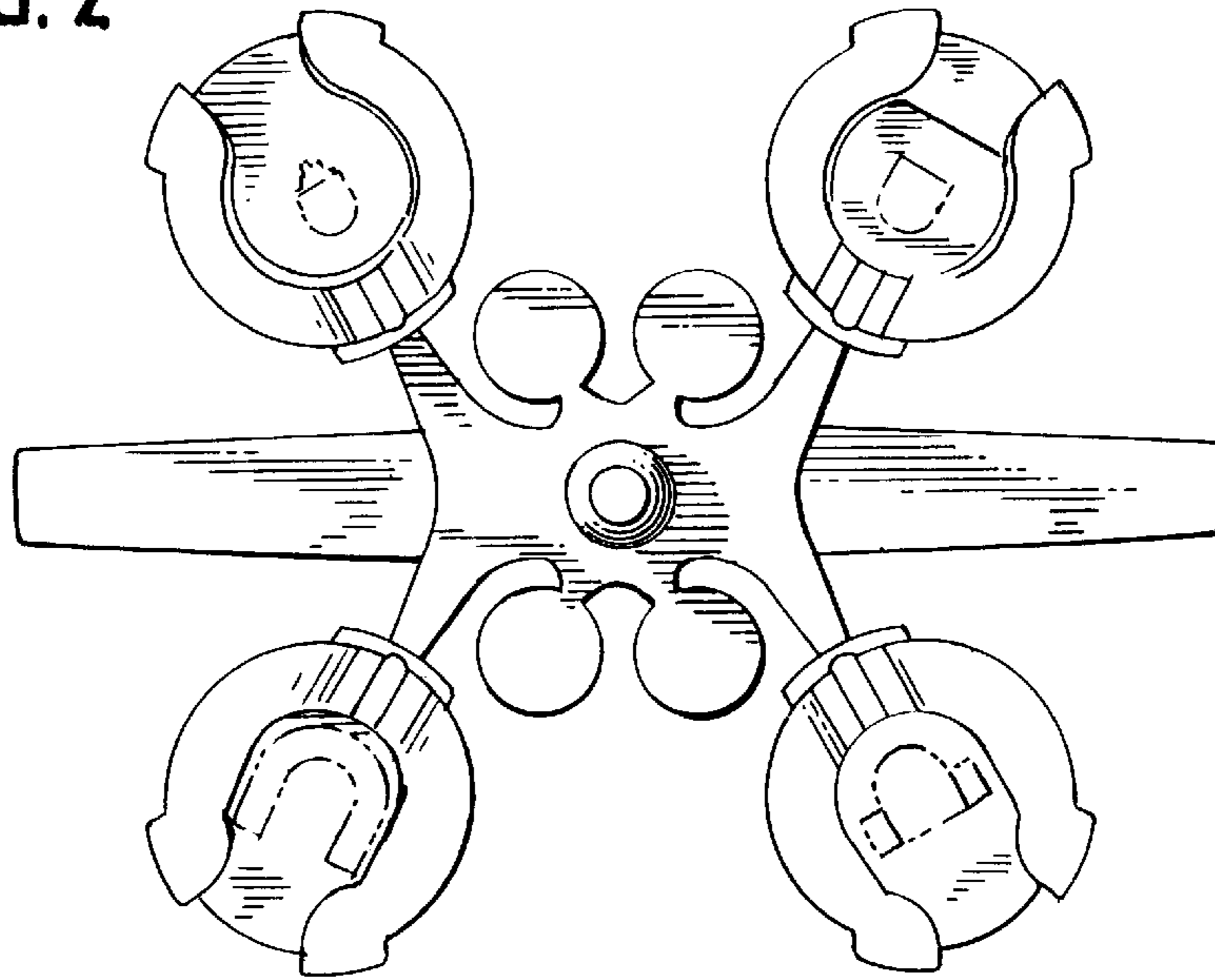


FIG. 3

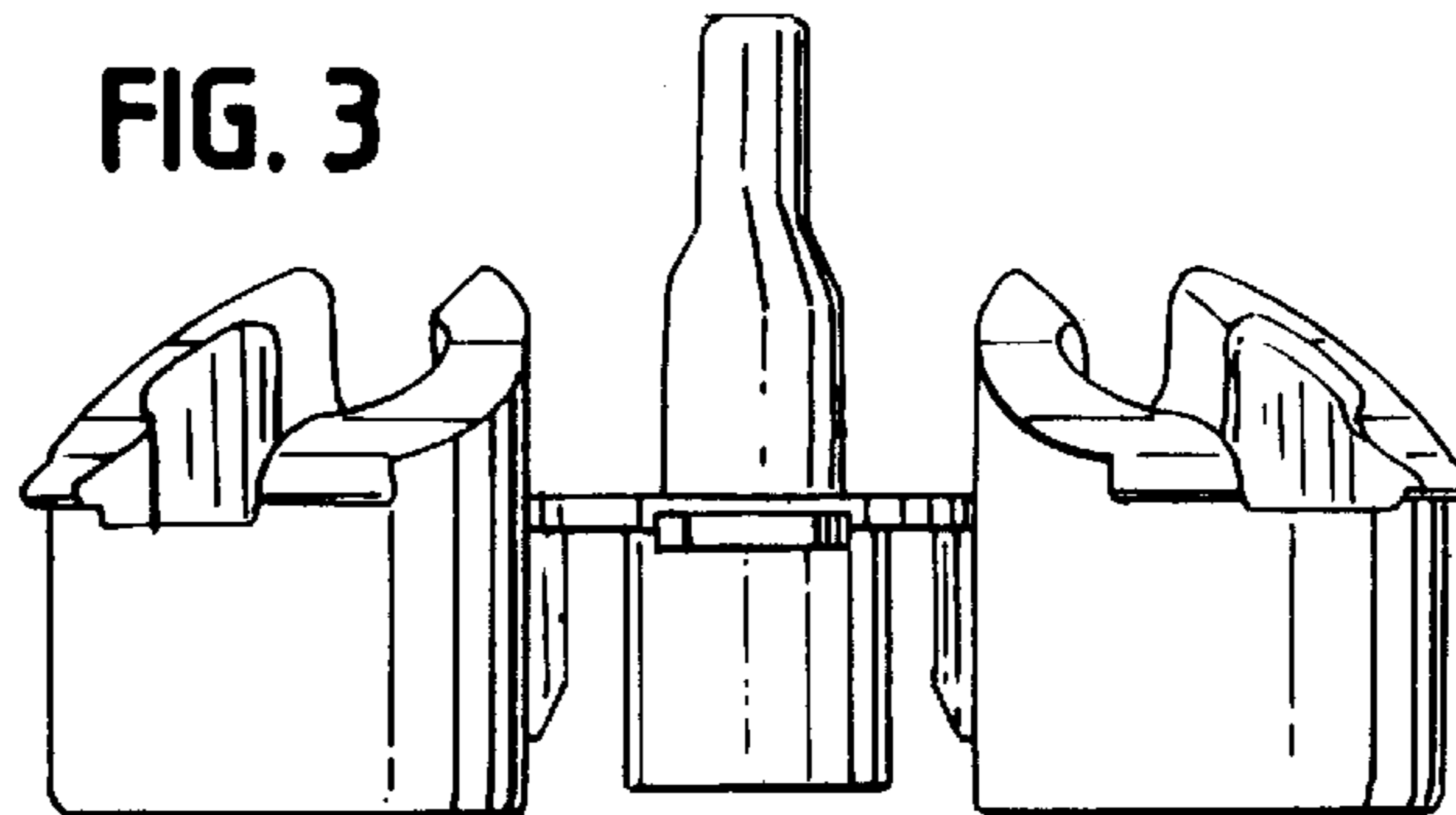


FIG. 4

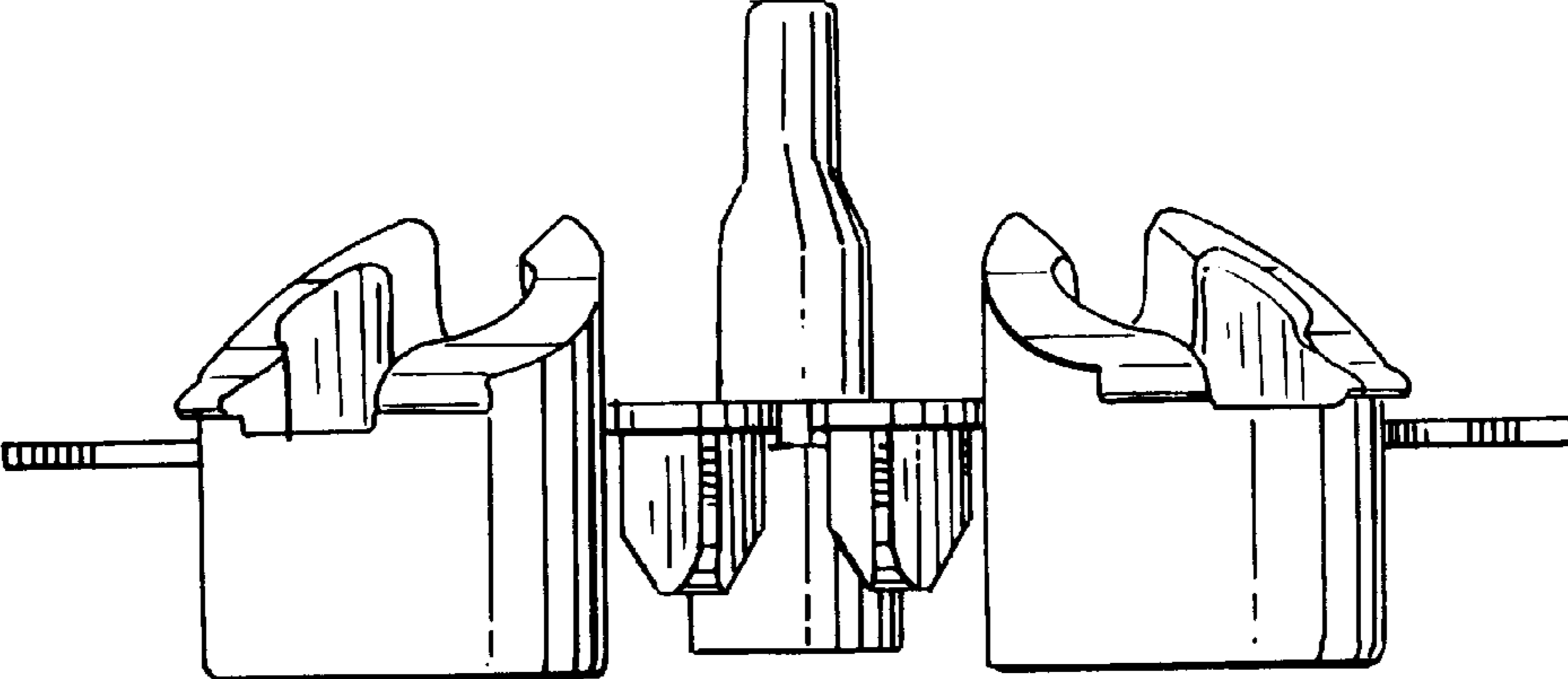


FIG. 5

