



US00D516164S

(12) **United States Design Patent**  
**Roth et al.**

(10) **Patent No.:** **US D516,164 S**  
(45) **Date of Patent:** **\*\* Feb. 28, 2006**

(54) **FISHING ROD HOLDER**

(76) Inventors: **Martin Roth**, 7 Industrial Avenue,  
Caloundra, Queensland (AU), 4551;  
**Emil Roth**, 7 Industrial Avenue,  
Caloundra, Queensland (AU), 4551

(\*\*) Term: **14 Years**

(21) Appl. No.: **29/201,969**

(22) Filed: **Mar. 25, 2004**

(30) **Foreign Application Priority Data**

Sep. 26, 2003 (AU) ..... 3326/2003

(51) **LOC (8) Cl.** ..... **22-05**

(52) **U.S. Cl.** ..... **D22/147**

(58) **Field of Classification Search** ..... D22/147,  
D22/148, 199; 43/21.2; 224/922, 200, 251;  
248/515, 520-521, 538

See application file for complete search history.

(56) **References Cited**

**U.S. PATENT DOCUMENTS**

D461,521 S \* 8/2002 Krueger ..... D22/147

D476,716 S \* 7/2003 Wegman ..... D22/147  
D480,782 S \* 10/2003 DeBerry et al. .... D22/147  
D483,436 S \* 12/2003 Tull ..... D22/147

\* cited by examiner

*Primary Examiner*—Catherine R. Oliver  
(74) *Attorney, Agent, or Firm*—Nixon & Vanderhye P.C.

(57) **CLAIM**

The ornamental design for a “fishing rod holder,” as shown and described.

**DESCRIPTION**

FIG. 1 is a front perspective view of a fishing rod holder showing our new design;

FIG. 2 is a rear perspective view thereof;

FIG. 3 is a left side elevational view thereof;

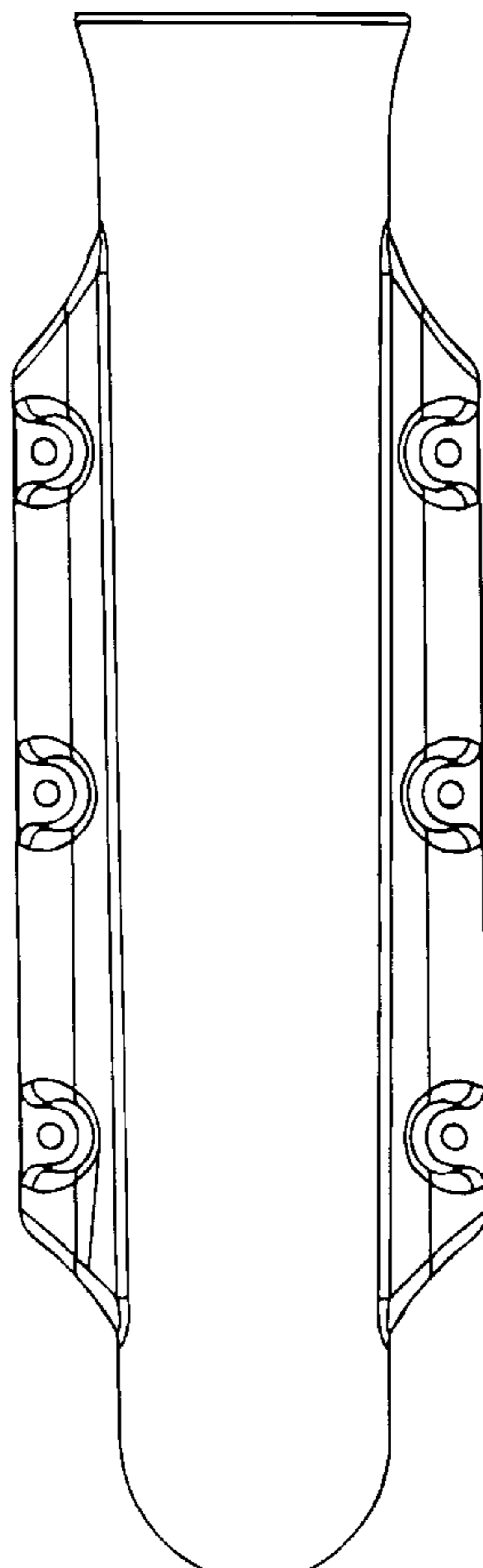
FIG. 4 is a right side elevational view thereof;

FIG. 5 is a top plan view thereof;

FIG. 6 is a bottom plan view thereof; and,

FIG. 7 is another front perspective view.

**1 Claim, 7 Drawing Sheets**



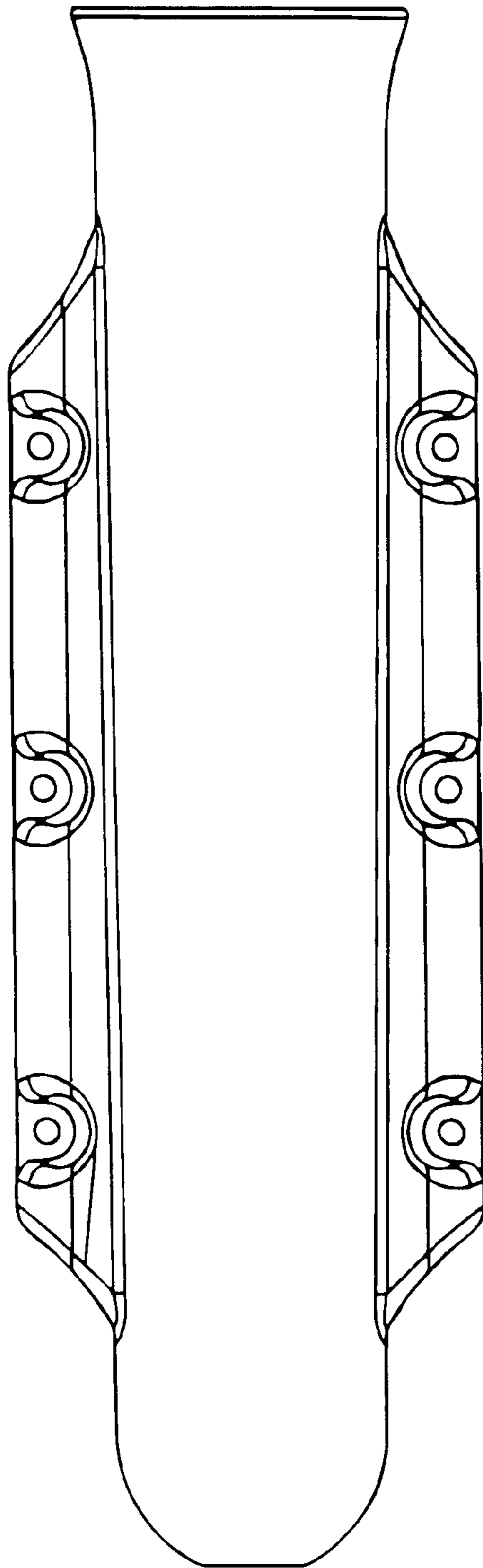


Fig. 1

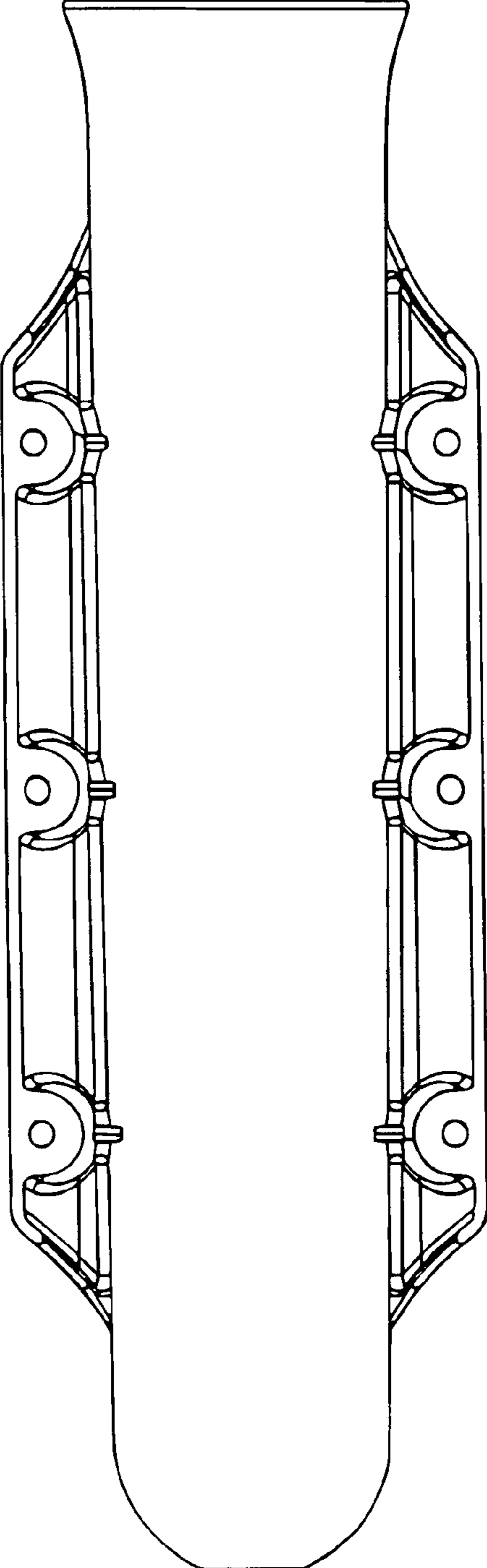


Fig. 2

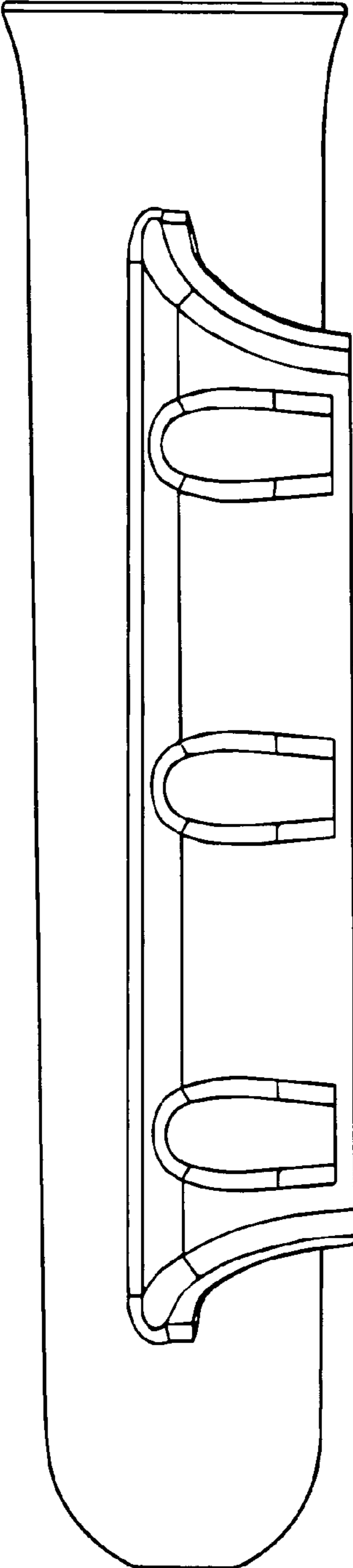


Fig. 3

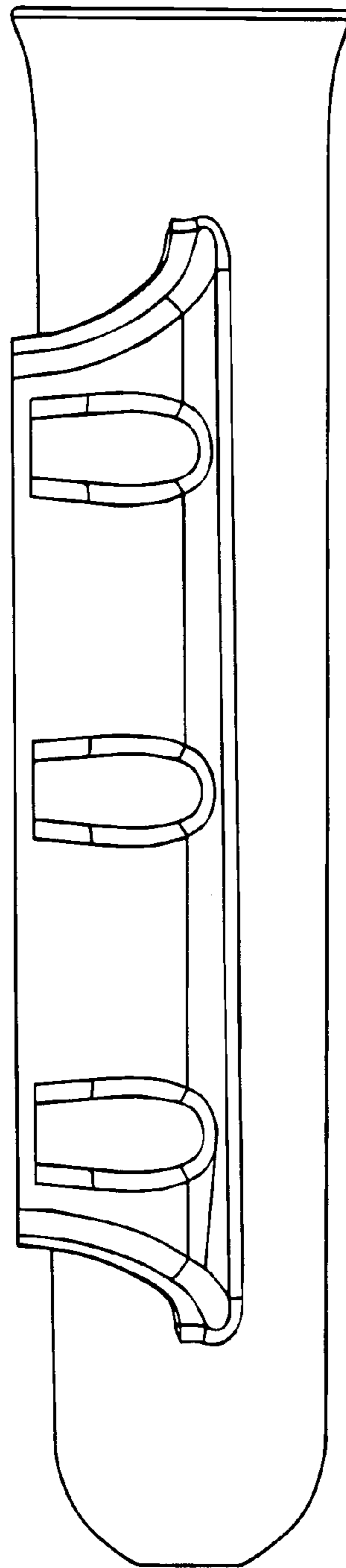


Fig. 4

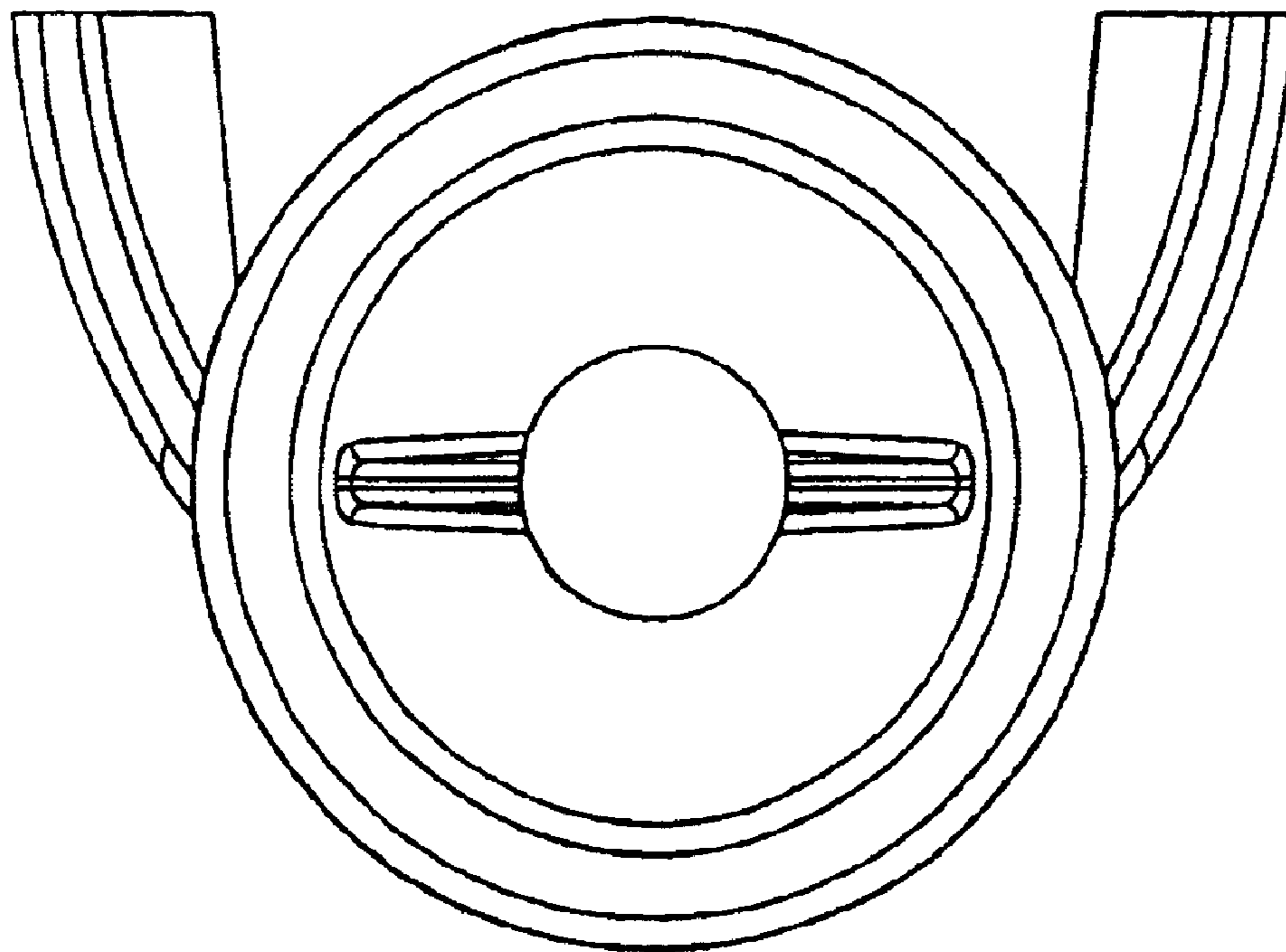


Fig. 5

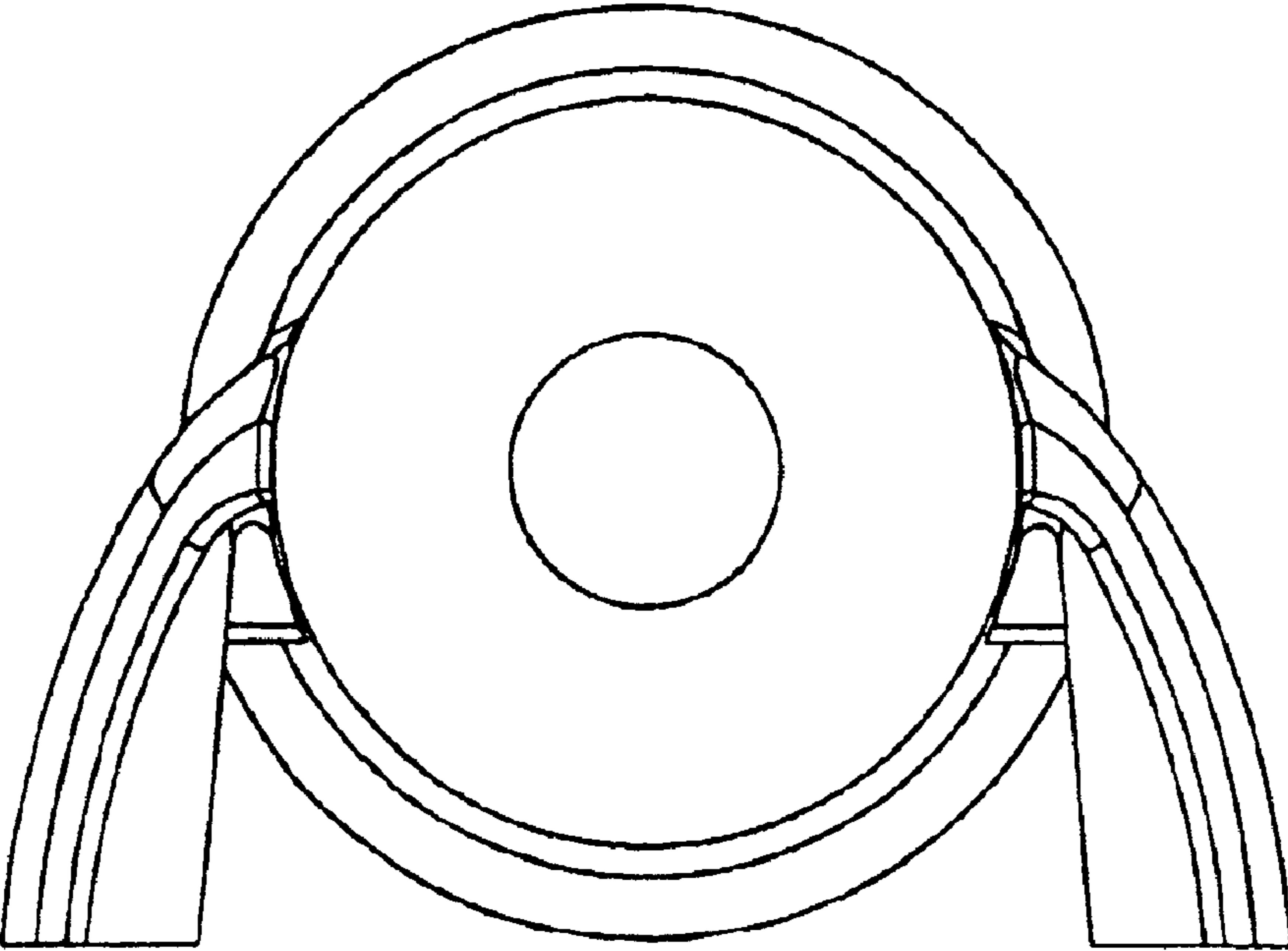


Fig. 6

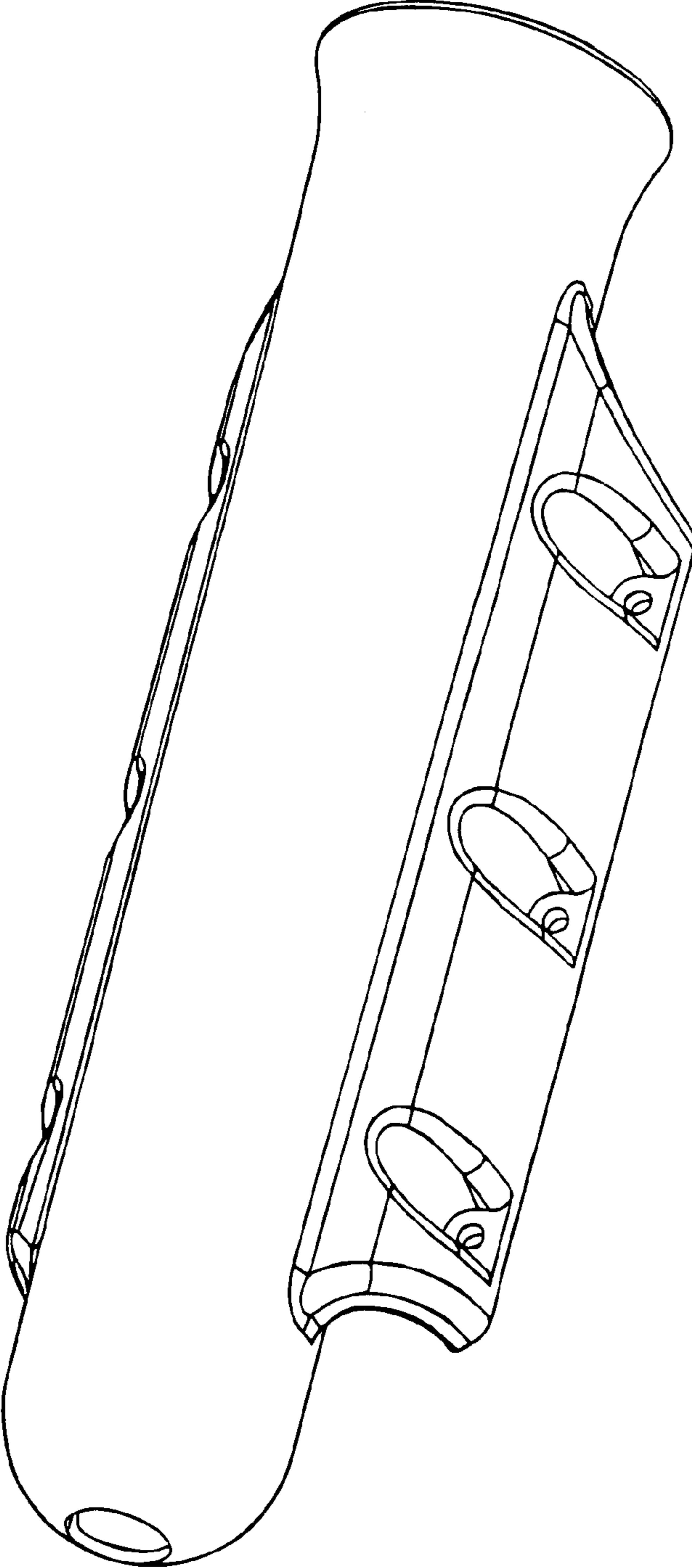


Fig. 7