

US00D516163S

(12) **United States Design Patent**
Lin

(10) **Patent No.:** **US D516,163 S**

(45) **Date of Patent:** **** Feb. 28, 2006**

(54) **REEL SEAT FOR FISHING ROD**

(76) **Inventor:** **Ming-Yi Lin**, No. 60, Hsin-Le Rd.,
An-Ping Industrial Dist., Tainan (TW)

(**) **Term:** **14 Years**

(21) **Appl. No.:** **29/219,142**

(22) **Filed:** **Dec. 13, 2004**

(51) **LOC (8) Cl.** **22-05**

(52) **U.S. Cl.** **D22/142**

(58) **Field of Classification Search** **D22/142,**
D22/134, 137-139; 43/22, 23

See application file for complete search history.

(56) **References Cited**

U.S. PATENT DOCUMENTS

D390,307 S	*	2/1998	Ohmura	D22/142
D392,714 S	*	3/1998	Grice	D22/142
D456,875 S	*	5/2002	Rajeff	D22/142
D469,845 S	*	2/2003	Yamaguchi	D22/142

6,629,382 B1 * 10/2003 Irrgang et al. 43/22
2005/0000145 A1 * 1/2005 Ohmura et al. 43/22

* cited by examiner

Primary Examiner—Catherine R. Oliver

(74) *Attorney, Agent, or Firm*—Alan D. Kamrath; Nikolai
& Mersereau, P.A.

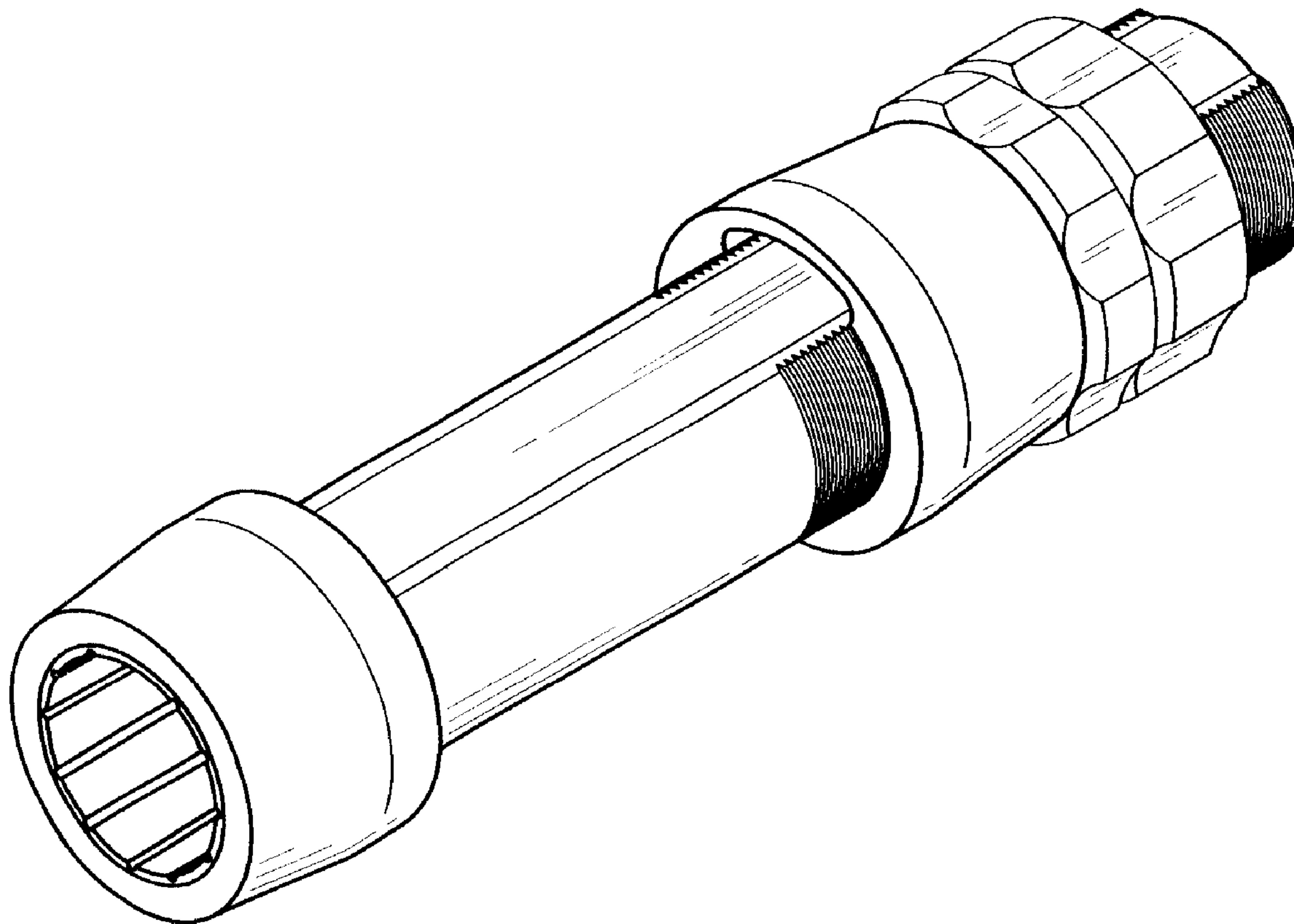
(57) **CLAIM**

The ornamental design for reel seat for fishing rod, as shown
and described.

DESCRIPTION

FIG. 1 is a perspective view of a reel seat for fishing rod
showing my new design;
FIG. 2 is a front elevational view thereof;
FIG. 3 is a rear elevational view thereof;
FIG. 4 is a left side elevational view thereof,
FIG. 5 is a right side elevational view thereof;
FIG. 6 is a top plan view thereof; and,
FIG. 7 is a bottom plan view thereof.

1 Claim, 3 Drawing Sheets



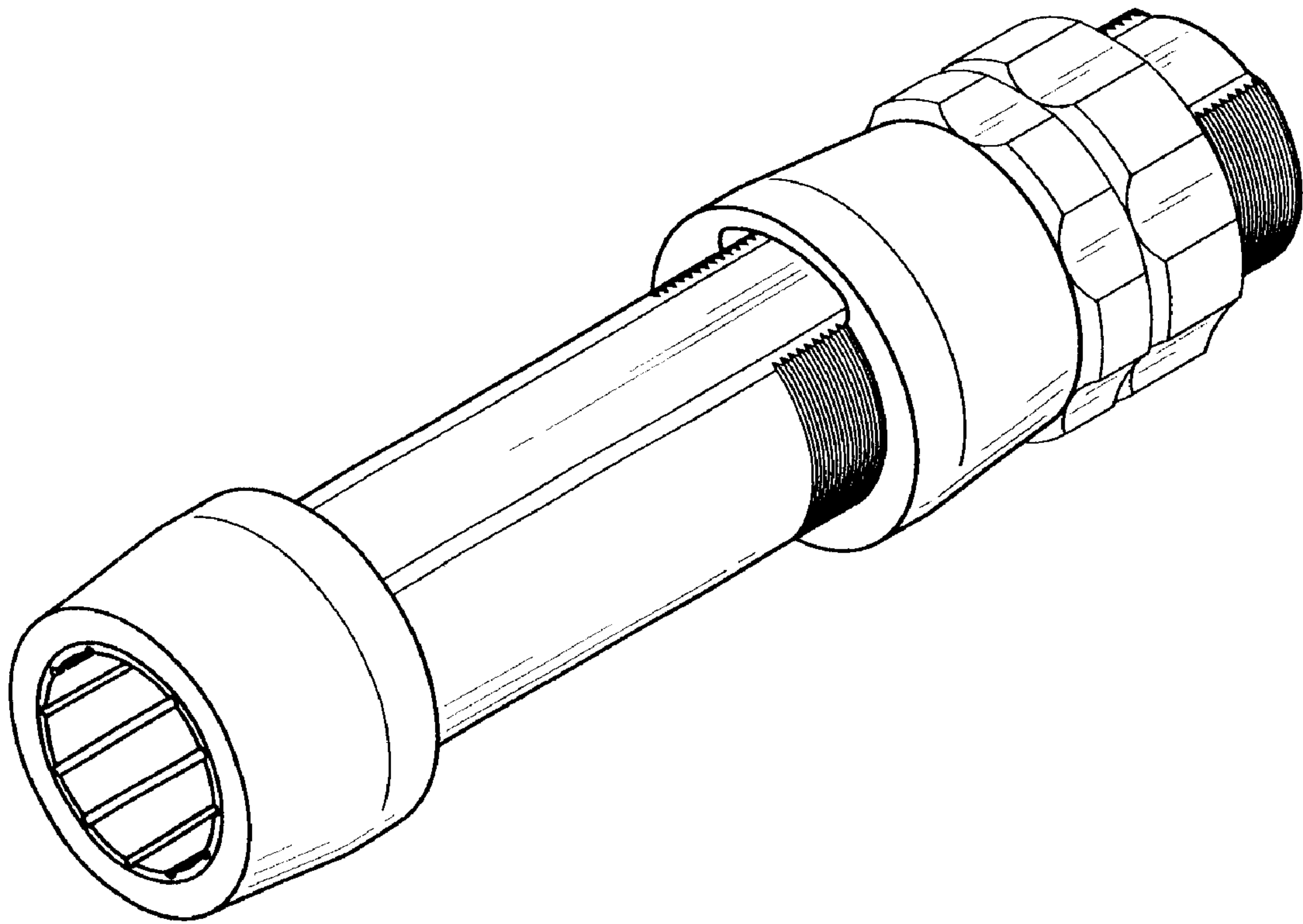


FIG. 1

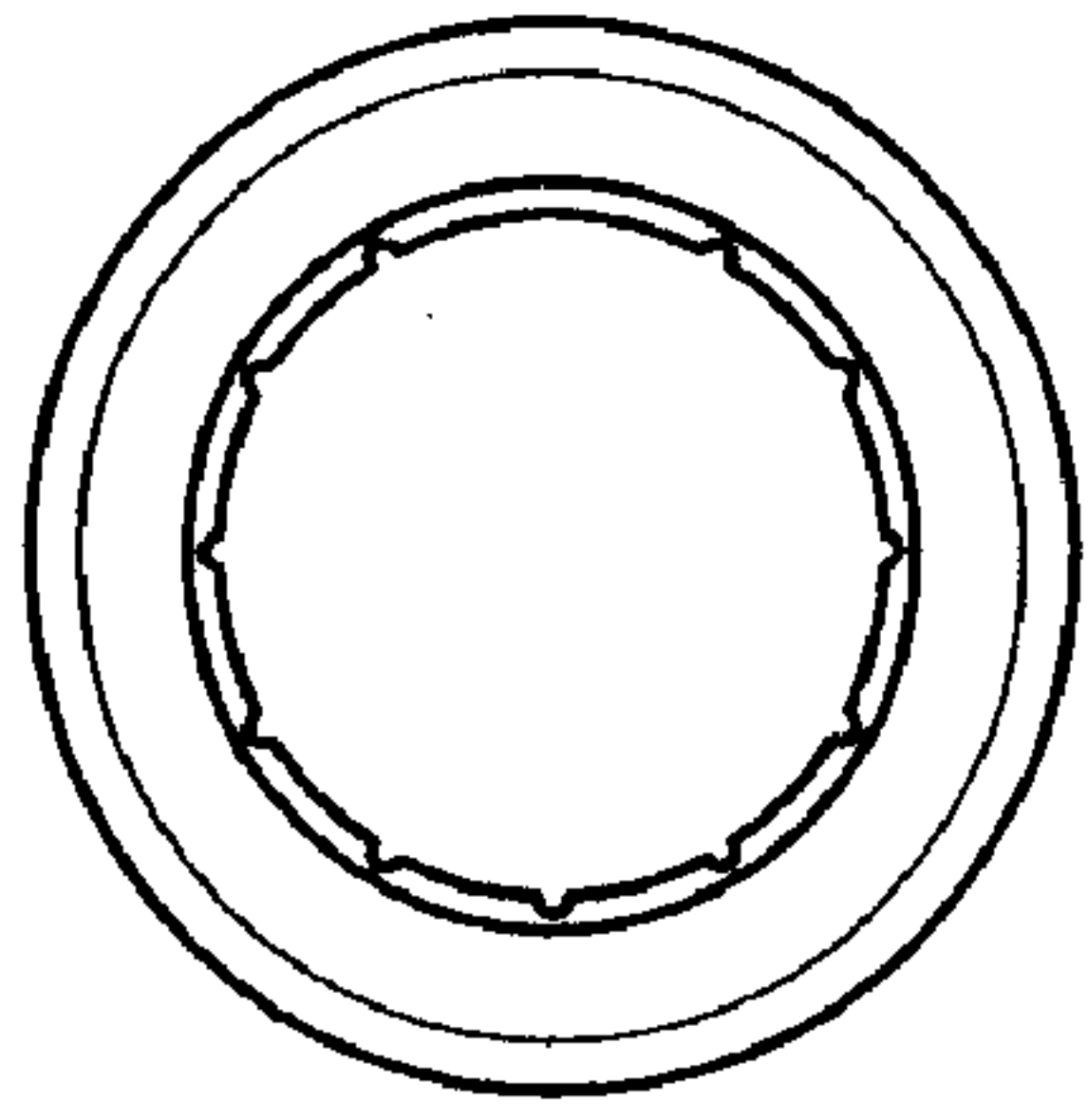


FIG. 2

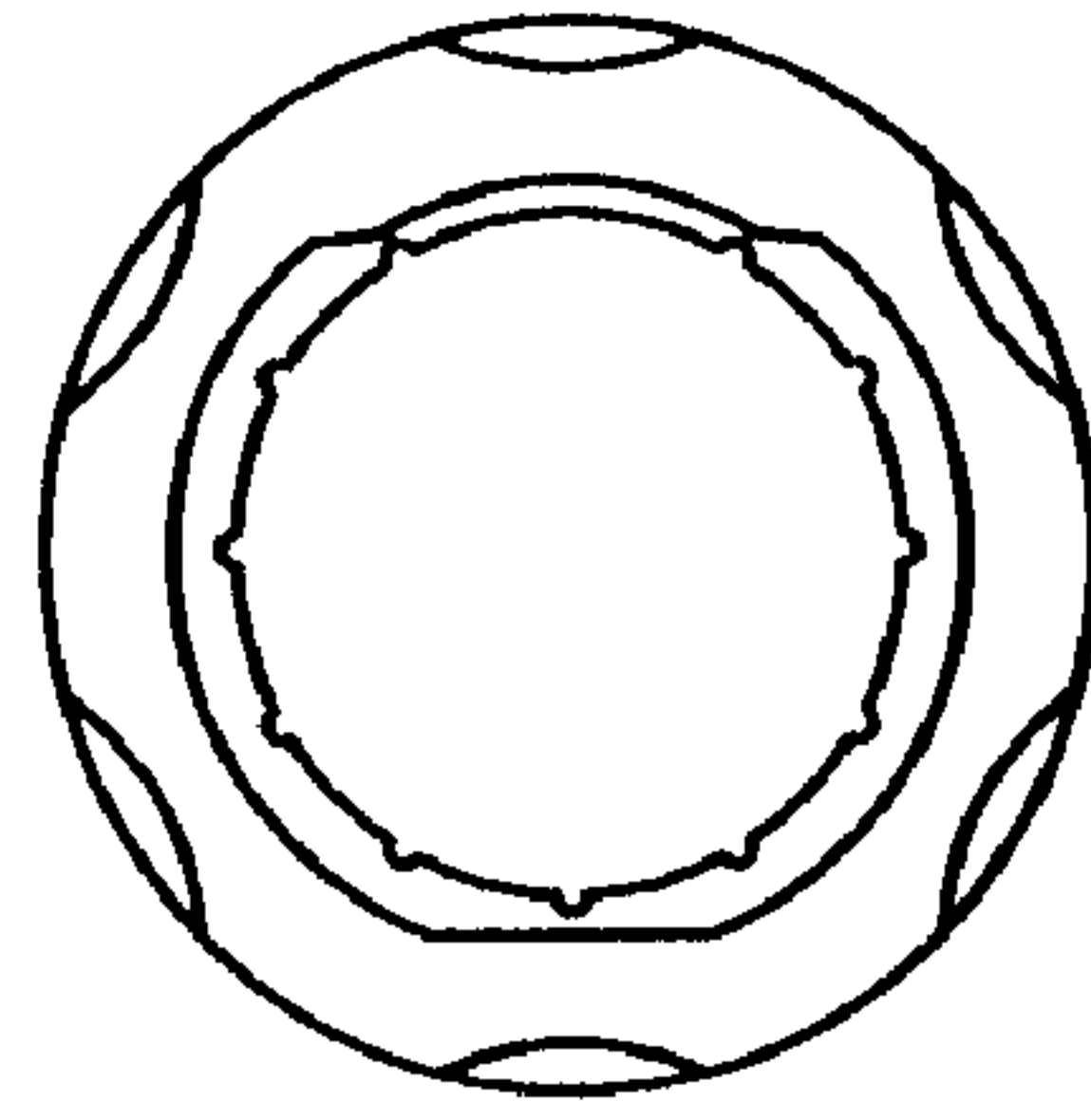


FIG. 3

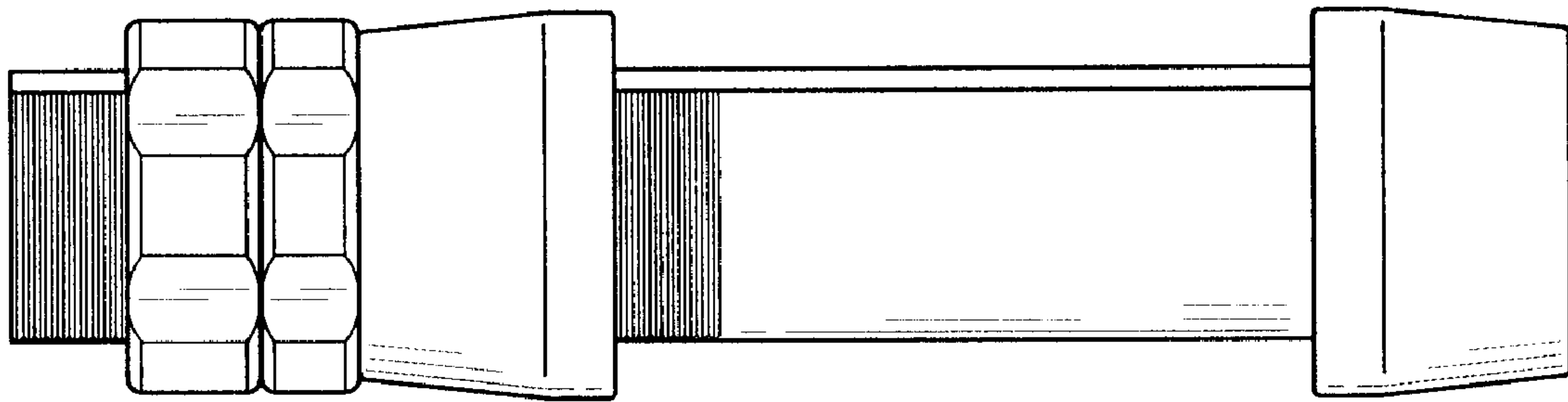


FIG. 4

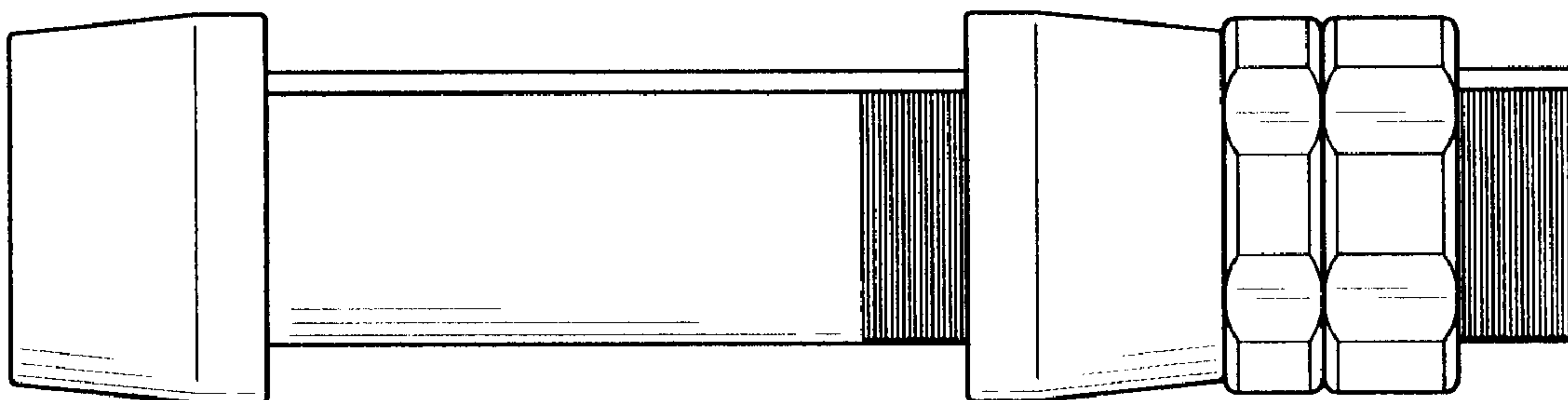


FIG. 5

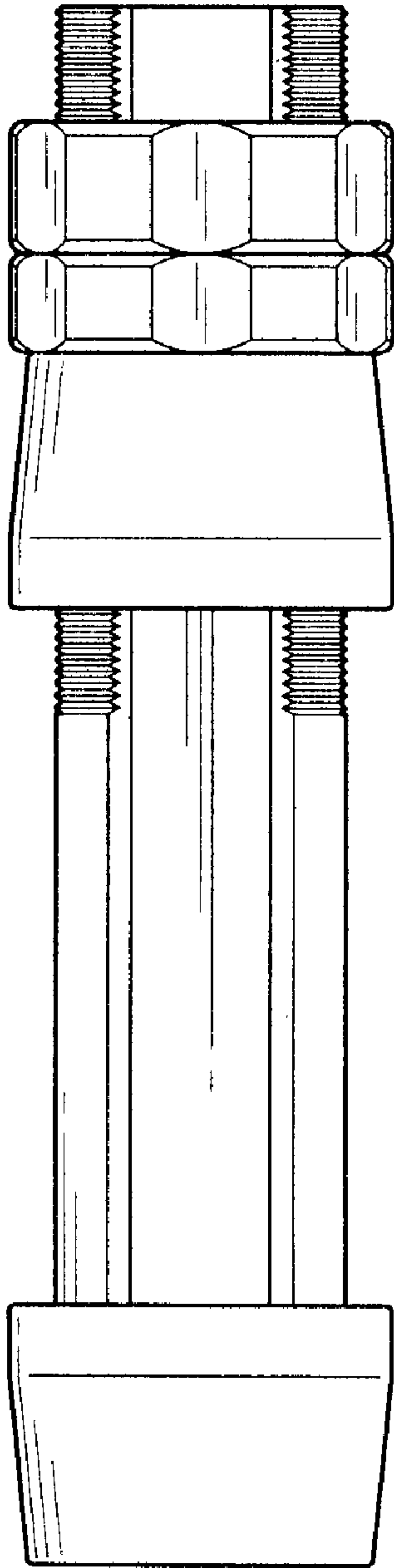


FIG. 6

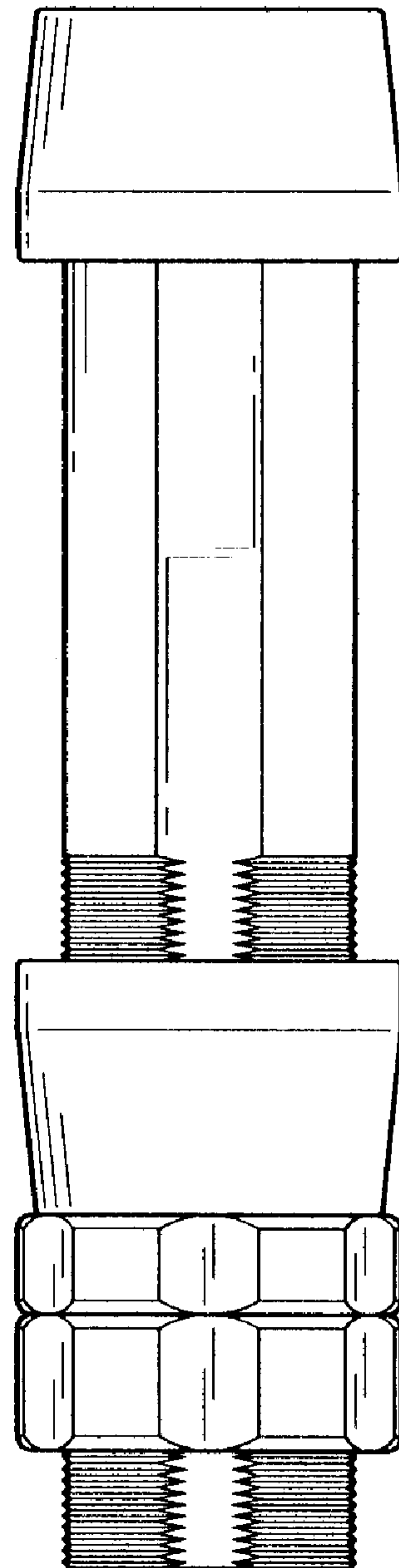


FIG. 7