



US00D516159S

(12) **United States Design Patent**
Himberger

(10) **Patent No.:** **US D516,159 S**
(45) **Date of Patent:** **** Feb. 28, 2006**

(54) **FLY SWATTER**

(76) Inventor: **Byron Himberger**, 13815 Liberty Rd.,
Mt. Airy, MD (US) 21771

(**) Term: **14 Years**

(21) Appl. No.: **29/220,090**

(22) Filed: **Dec. 24, 2004**

(51) **LOC (8) Cl.** **22-06**

(52) **U.S. Cl.** **D22/124**

(58) **Field of Classification Search** D22/119-125;
43/137, 124, 112, 132.1, 134-136; D21/725,
D21/729; D3/1-4

See application file for complete search history.

(56) **References Cited**

U.S. PATENT DOCUMENTS

2,881,554	A	*	4/1959	Laine	43/137
5,630,290	A	*	5/1997	Wade et al.	43/136
D401,635	S	*	11/1998	Davis et al.	D21/729
6,105,306	A	*	8/2000	Teng	43/112
2002/0178649	A1	*	12/2002	Betzen	43/137

* cited by examiner

Primary Examiner—Catherine R. Oliver
(74) *Attorney, Agent, or Firm*—Law Offices of Royal W. Craig

(57) **CLAIM**

The ornamental design for a fly swatter, as shown and described.

DESCRIPTION

FIG. 1 is a side perspective view of the fly swatter according to my new design.

FIG. 2 is a top view of the fly swatter of FIG. 1.

FIG. 3 is a bottom perspective view of the fly swatter of FIGS. 1 and 2.

FIG. 4 is a side view of the fly swatter as in FIGS. 1-3.

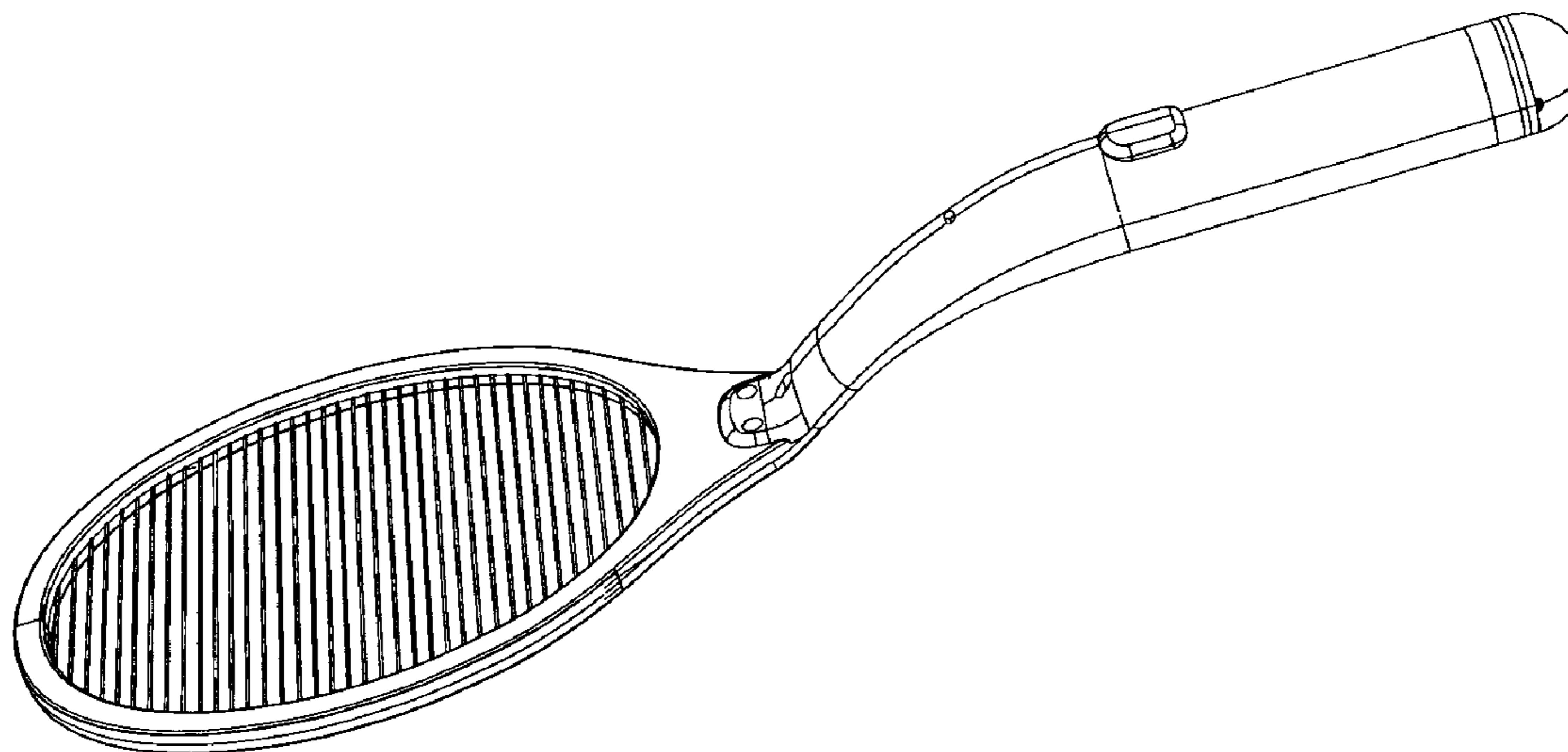
FIG. 5 is a bottom view of the fly swatter as in FIGS. 1-4.

FIG. 6 is a rear view of the fly swatter as in FIGS. 1-5; and,

FIG. 7 is a front view of the fly swatter as in FIGS. 1-6.

The design of the present invention and as shown in FIGS. 1-7 is an ornamental design for a fly swatter. The contoured handle, oval swatter, union of handle and swatter, and top switch placement, and other ornamental features present a decorative outward appearance.

1 Claim, 4 Drawing Sheets



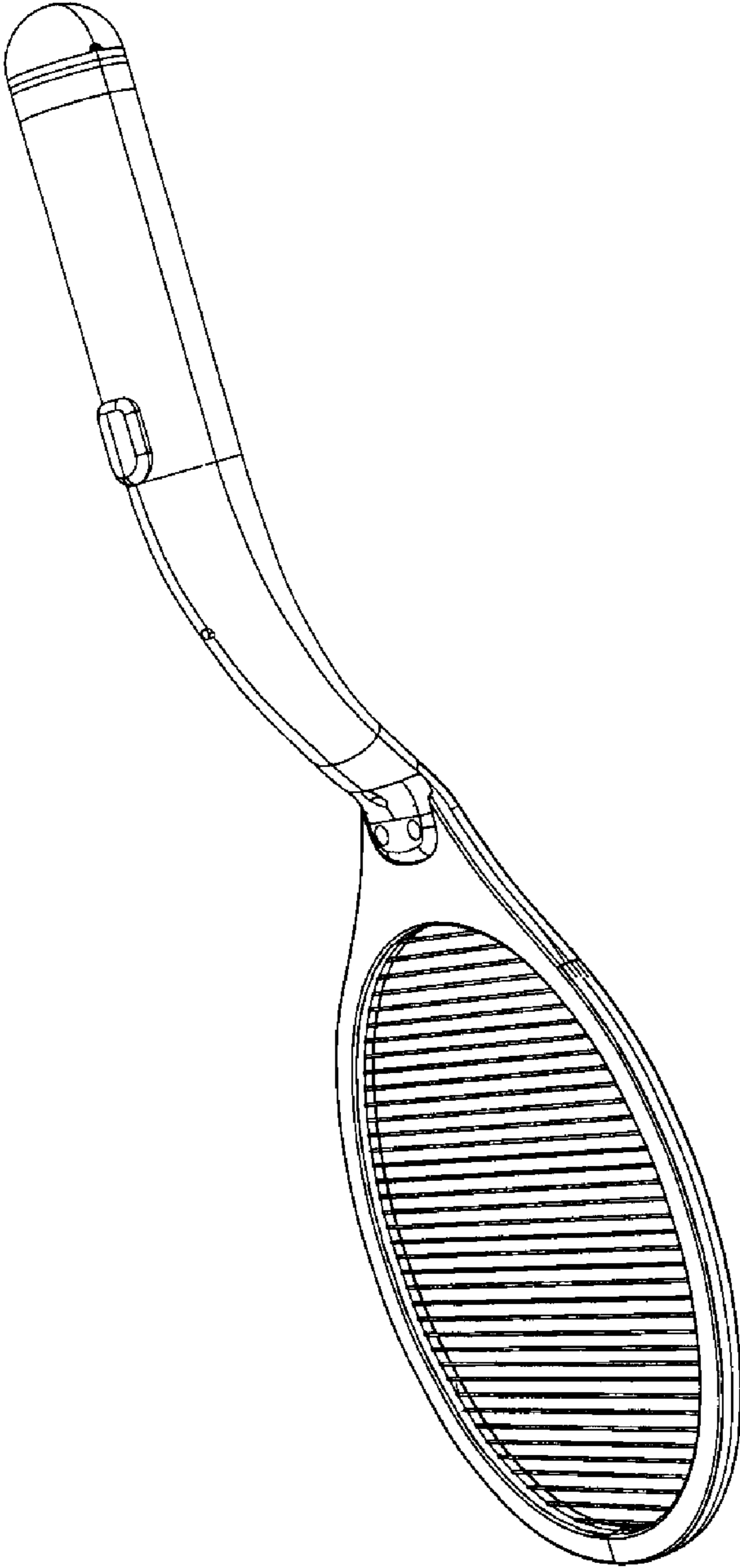


FIG. 1

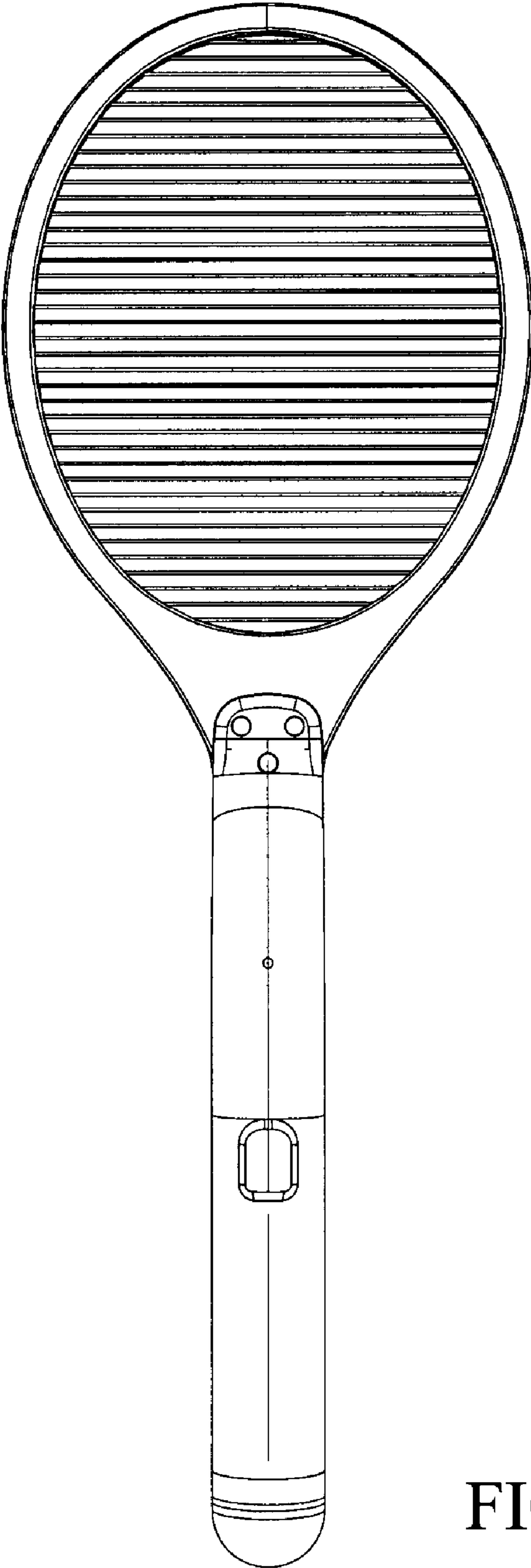


FIG. 2

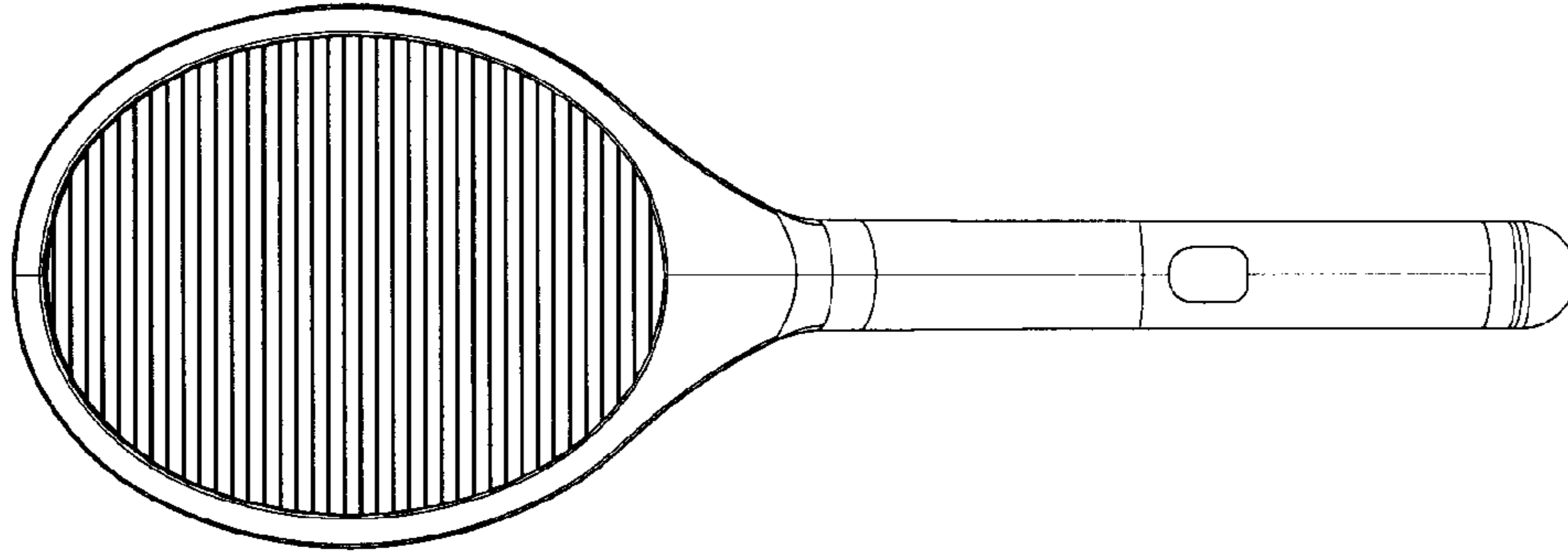


FIG. 5

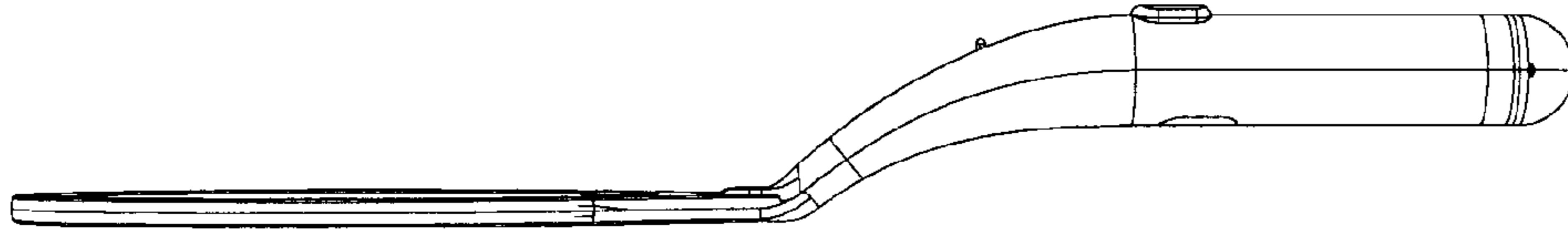


FIG. 4

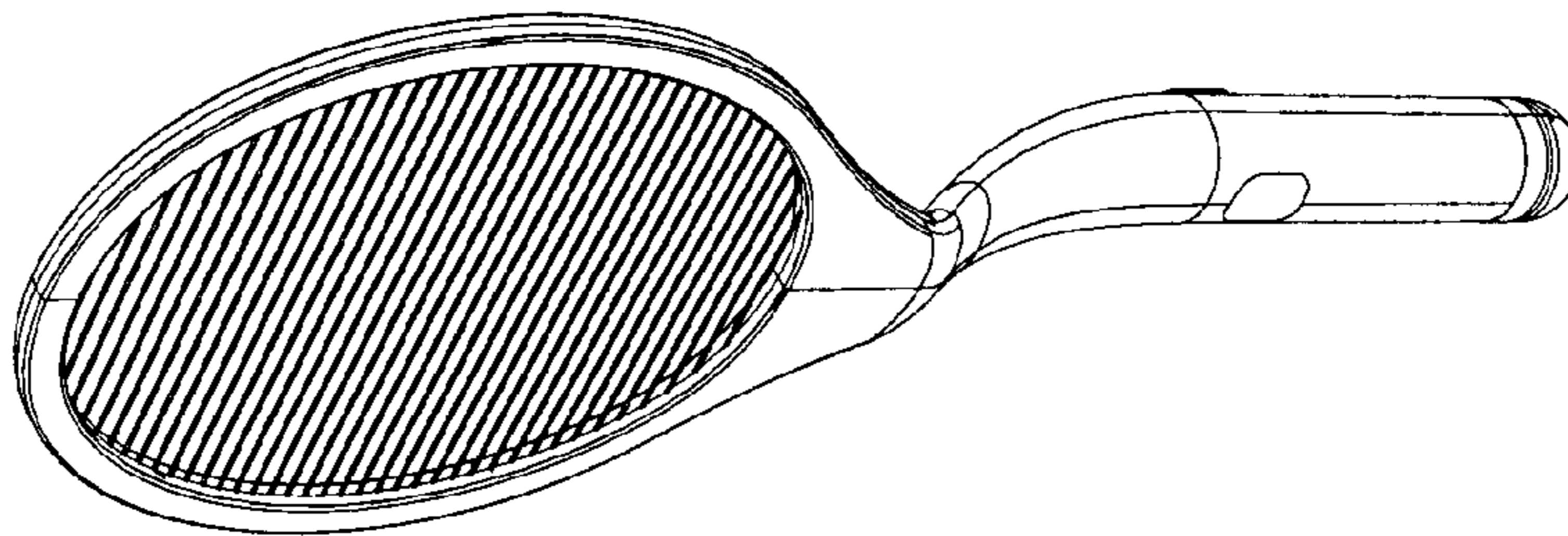


FIG. 3

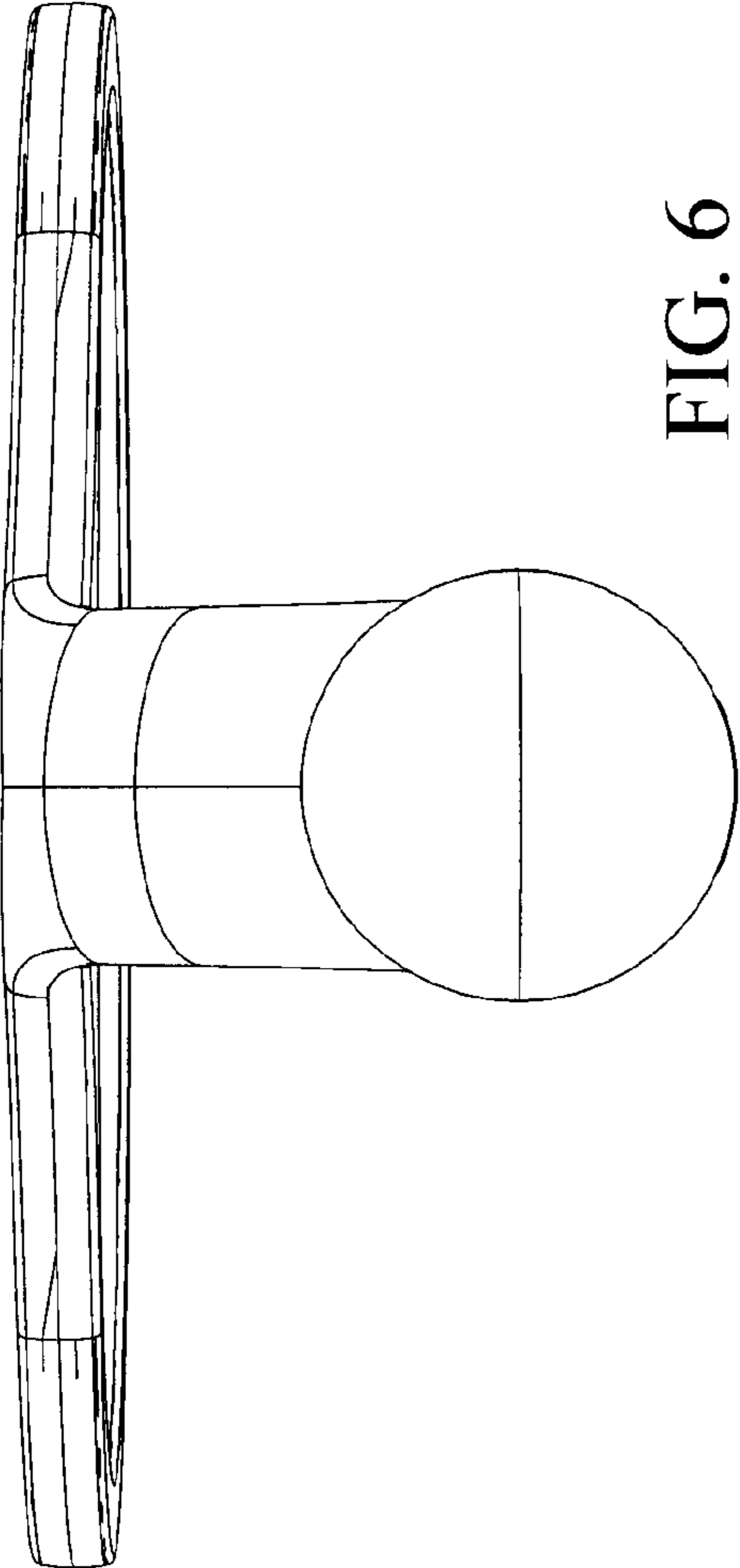


FIG. 6

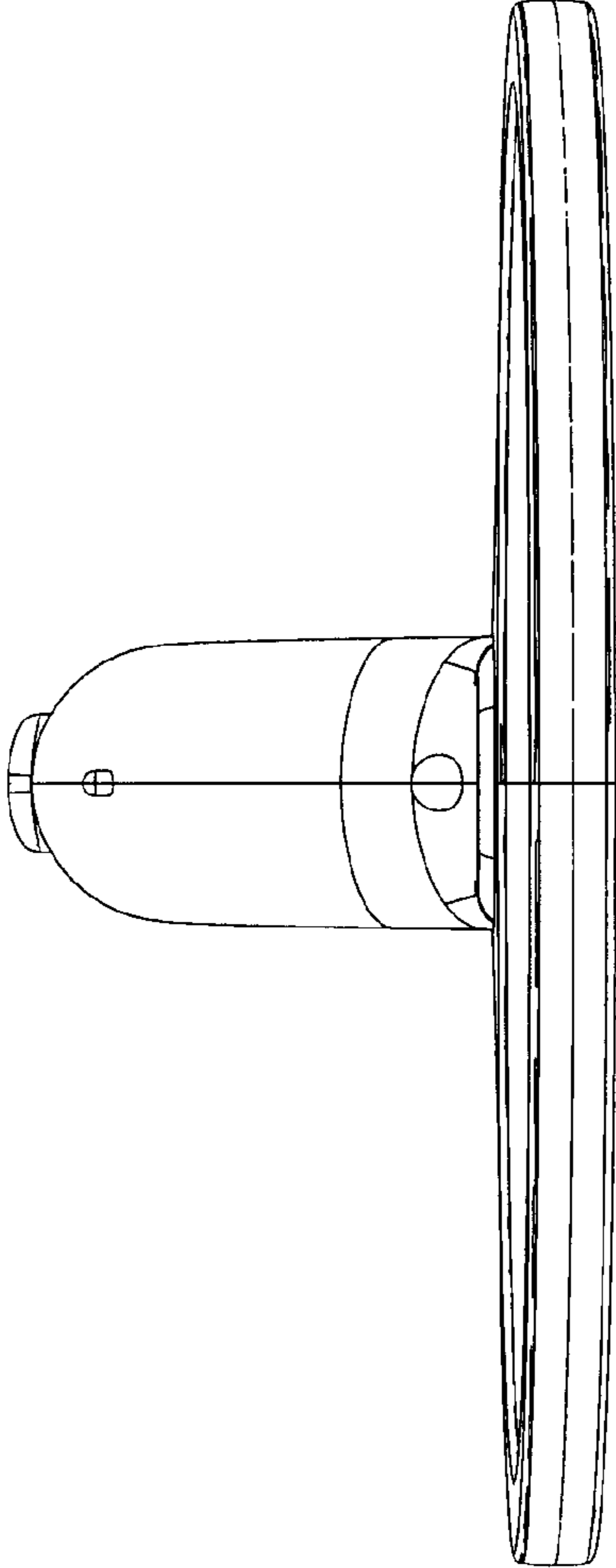


FIG. 7