



US00D516158S

(12) **United States Design Patent** (10) **Patent No.:** **US D516,158 S**
Shapland et al. (45) **Date of Patent:** **** Feb. 28, 2006**

(54) **INSECT ATTRACTIVE LIGHT FIXTURE**

(75) Inventors: **Paul Shapland**, Coulsdon (GB);
Jonathan D. Berger, St. Louis, MO
(US); **Tom E. Brydon**, St. Louis, MO
(US); **Dale L. Koenig**, St. Louis, MO
(US)

(73) Assignee: **Whitmire Micro-Gen Research
Laboratories, Inc.**, St. Louis, MO (US)

(**) Term: **14 Years**

(21) Appl. No.: **29/220,846**

(22) Filed: **Jan. 7, 2005**

(51) **LOC (8) Cl.** **22-06**

(52) **U.S. Cl.** **D22/123**

(58) **Field of Classification Search** D22/119–124;
43/112–115, 118, 122; 362/244, 355, 246
See application file for complete search history.

(56) **References Cited**

U.S. PATENT DOCUMENTS

3,346,988	A	*	10/1967	Pickering	43/112
4,117,624	A		10/1978	Phillips	43/113
4,876,822	A		10/1989	White	43/113
4,959,923	A		10/1990	Aiello et al.	43/112
D325,954	S	*	5/1992	Lazzeroni et al.	D22/123
D335,912	S		5/1993	Brown et al.	D22/122
5,251,397	A	*	10/1993	Exum et al.	43/115
5,425,197	A		6/1995	Smith	43/113
D365,379	S	*	12/1995	Nayler et al.	D22/123
5,608,987	A		3/1997	Meyer	43/113
5,651,211	A		7/1997	Regan et al.	43/113
D394,124	S	*	5/1998	Mackert et al.	D22/123
D395,529	S	*	6/1998	Yuen	D22/123
5,915,948	A		6/1999	Kunze et al.	43/114
6,108,966	A		8/2000	Otomo et al.	43/113
6,289,629	B2		9/2001	Greening	43/113
6,393,759	B1		5/2002	Brown et al.	43/113
6,397,515	B1		6/2002	Brown et al.	43/113
2003/0089024	A1	*	5/2003	Nelson et al.	43/113

* cited by examiner

Primary Examiner—Catherine R. Oliver
(74) *Attorney, Agent, or Firm*—Senniger Powers

(57) **CLAIM**

The ornamental design for an insect attractive light fixture, as shown and described.

DESCRIPTION

FIG. 1 is a perspective view of an insect attractive light fixture of a first embodiment;

FIG. 2 is a front elevation of the insect attractive light fixture of the first embodiment;

FIG. 3 is a right side elevation of the insect attractive light fixture of the first embodiment, the left side elevation being a mirror image thereof;

FIG. 4 is a top plan of the insect attractive light fixture of the first embodiment, the bottom plan being a mirror image thereof;

FIG. 5 is a rear elevation of the insect attractive light fixture of the first embodiment;

FIG. 6 is a cross section of the insect attractive light fixture taken in the plane of line 6—6 of FIG. 1;

FIG. 7 is a perspective view of an insect attractive light fixture of a second embodiment;

FIG. 8 is a front elevation of the insect attractive light fixture of the second embodiment;

FIG. 9 is a right side elevation of the insect attractive light fixture of the second embodiment, the left side elevation being a mirror image thereof;

FIG. 10 is a top plan of the insect attractive light fixture of the second embodiment, the bottom plan being a mirror image thereof;

FIG. 11 is a rear elevation of the insect attractive light fixture of the second embodiment; and,

FIG. 12 is a cross section of the insect attractive light fixture taken in the plane of line 12—12 of FIG. 7.

The broken lines shown in the drawings indicate structure and features which form no part of the claimed design.

1 Claim, 12 Drawing Sheets

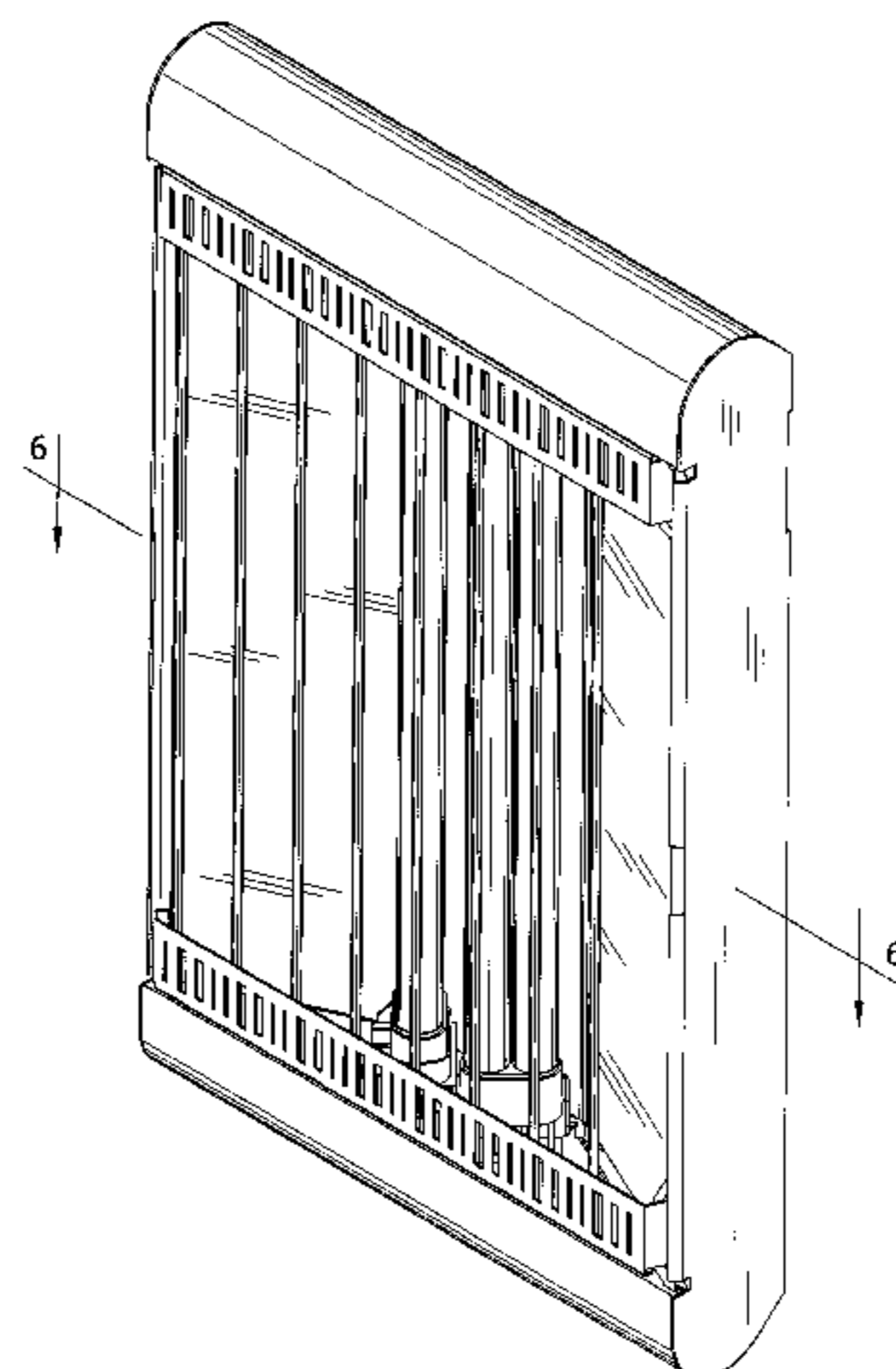


FIG. 1

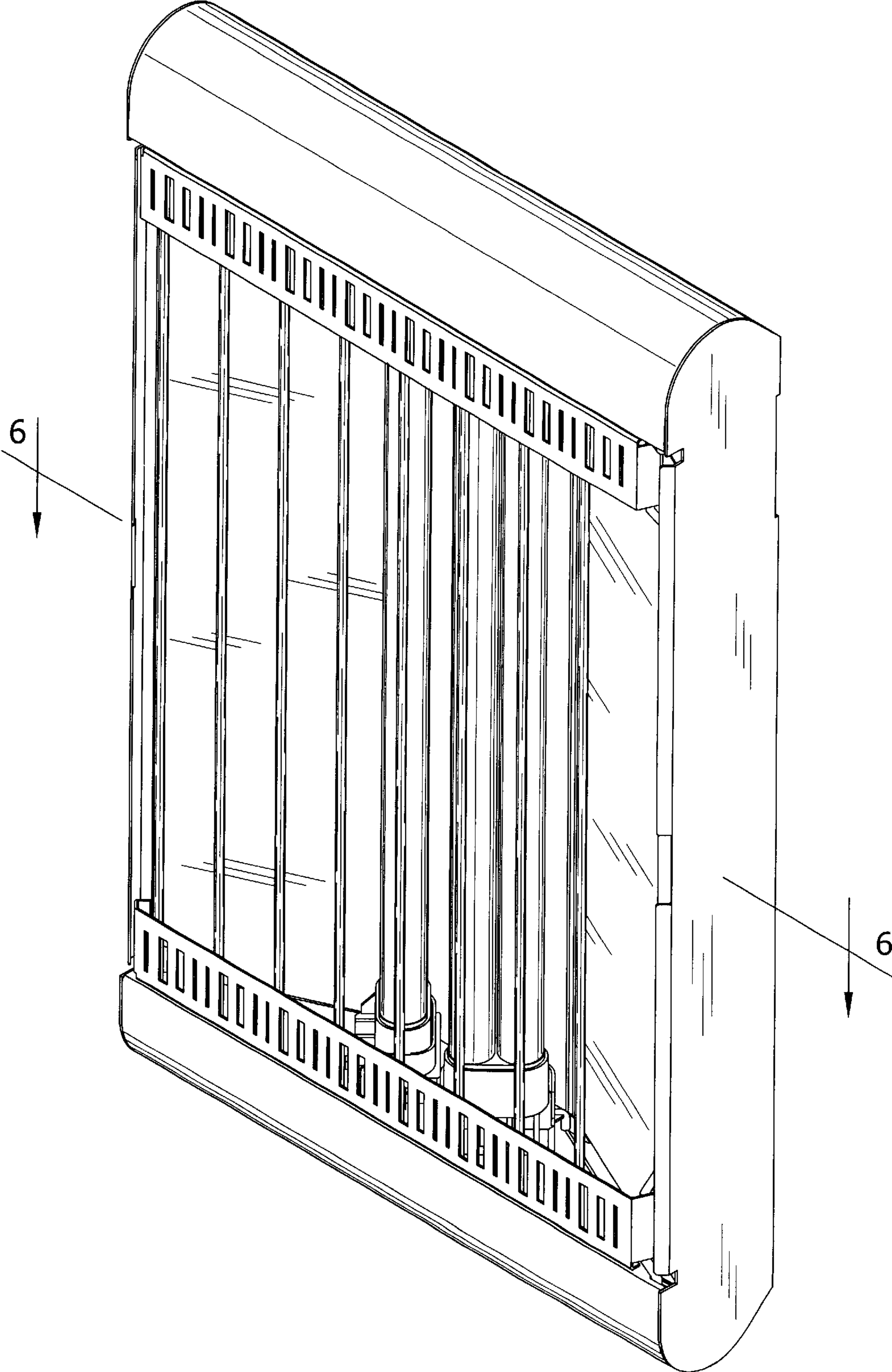


FIG. 2

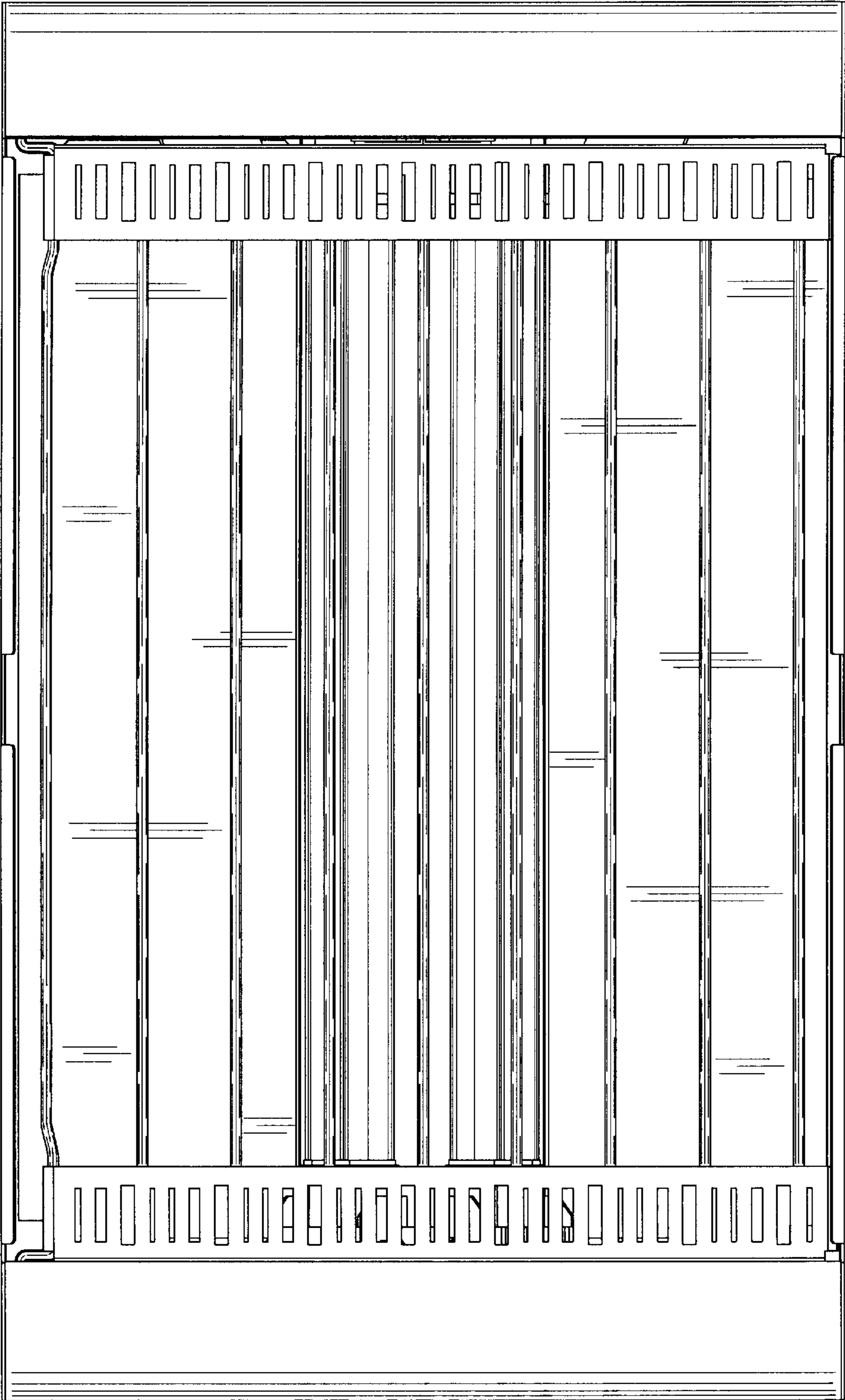


FIG. 3

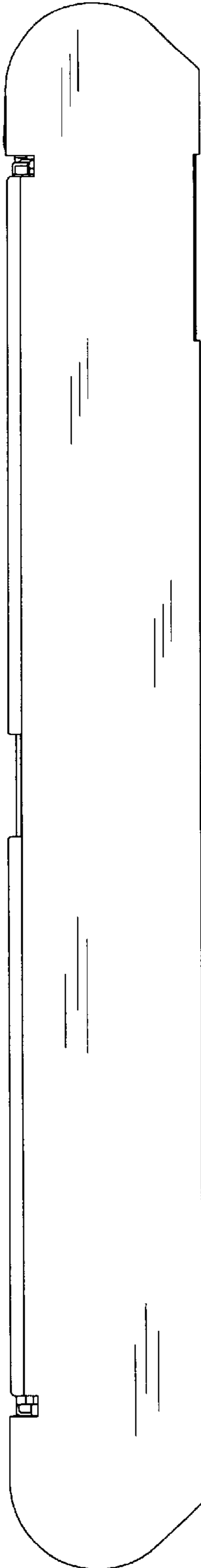


FIG. 4

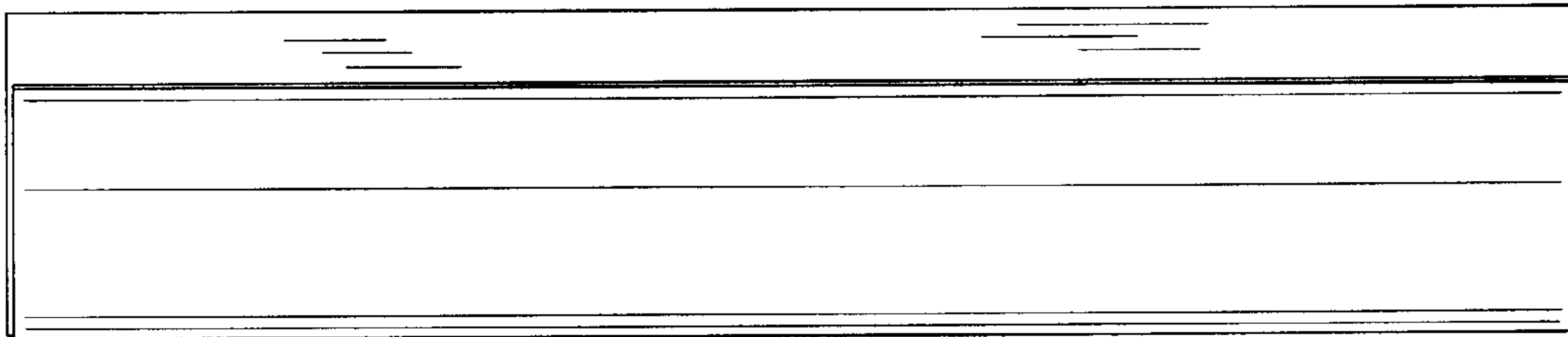


FIG. 5

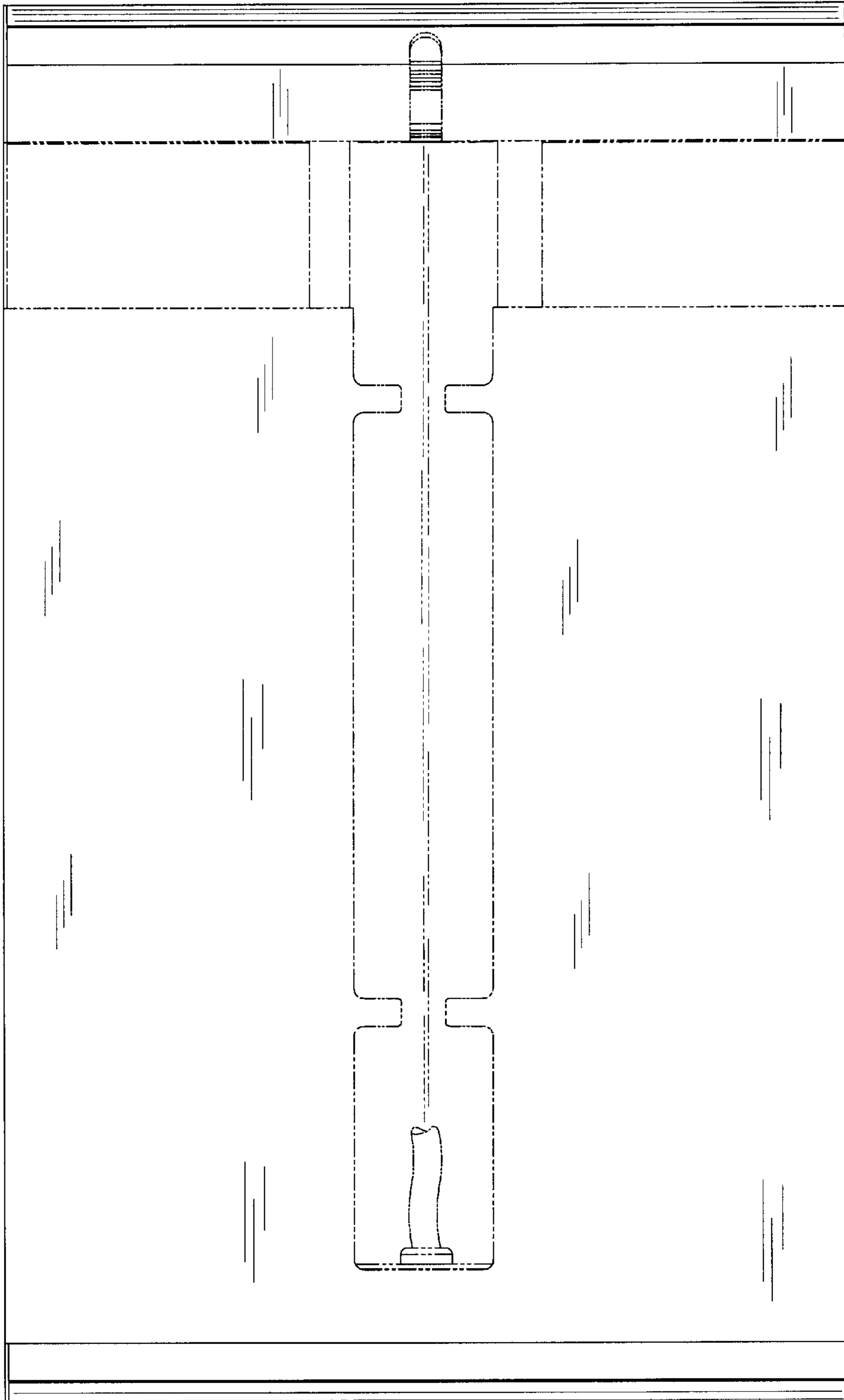


FIG. 6

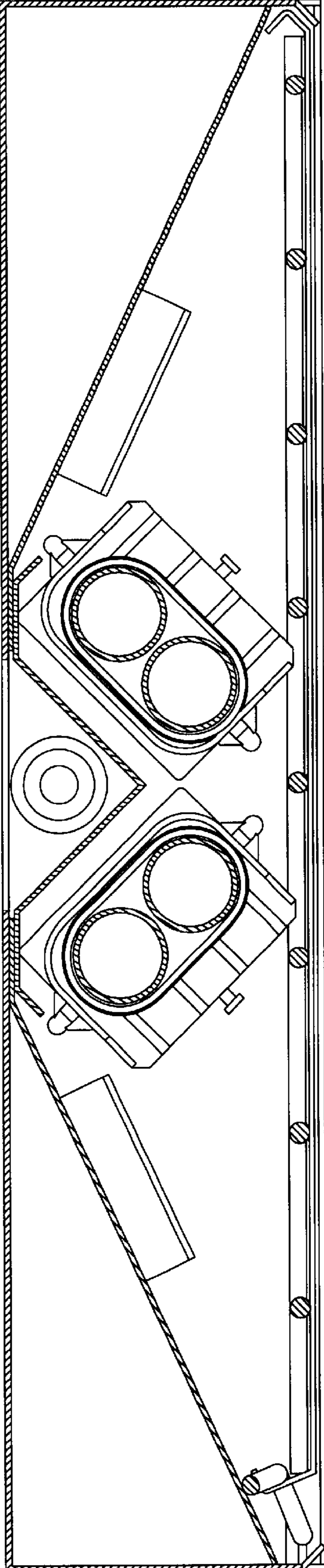


FIG. 7

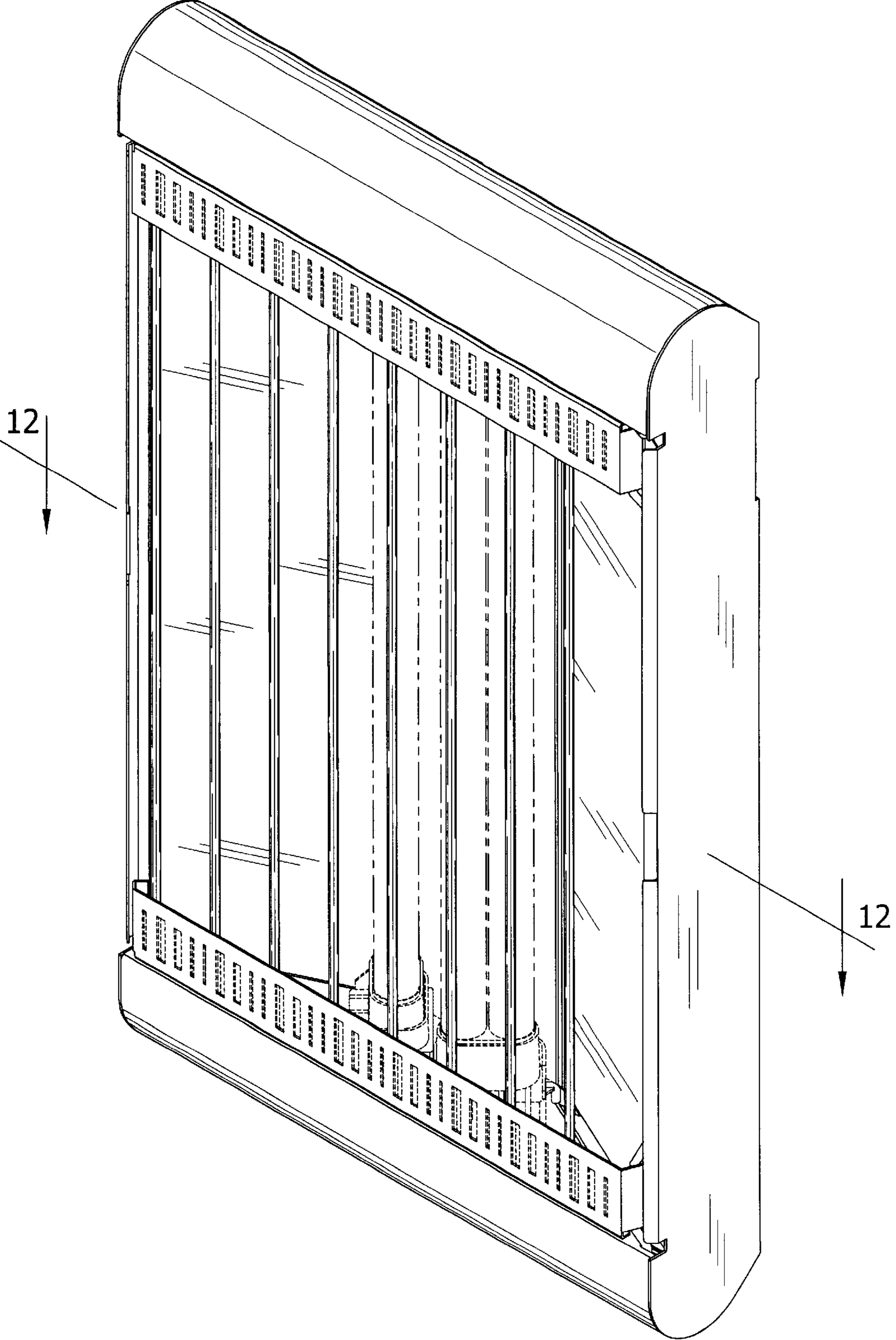


FIG. 8

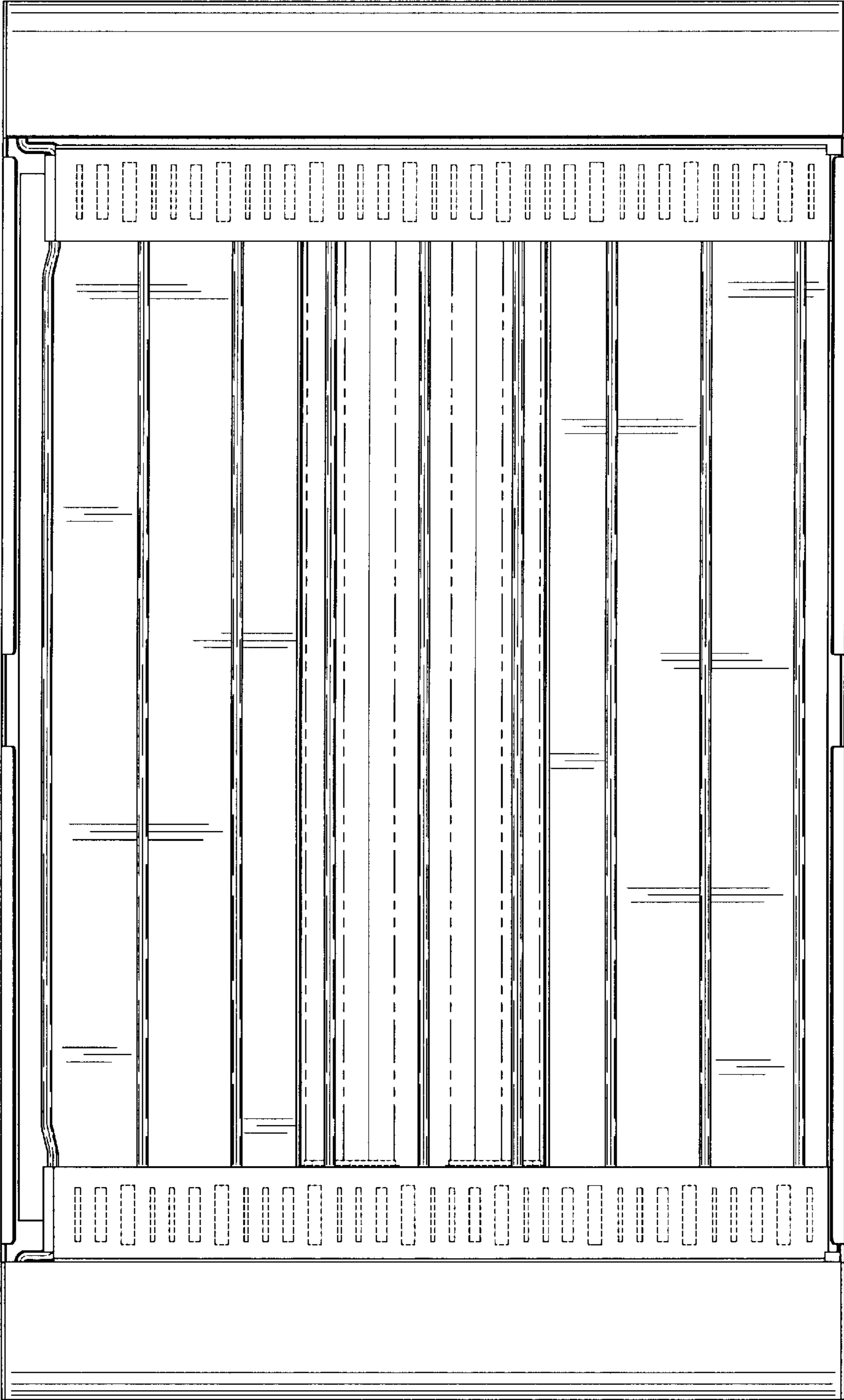


FIG. 9

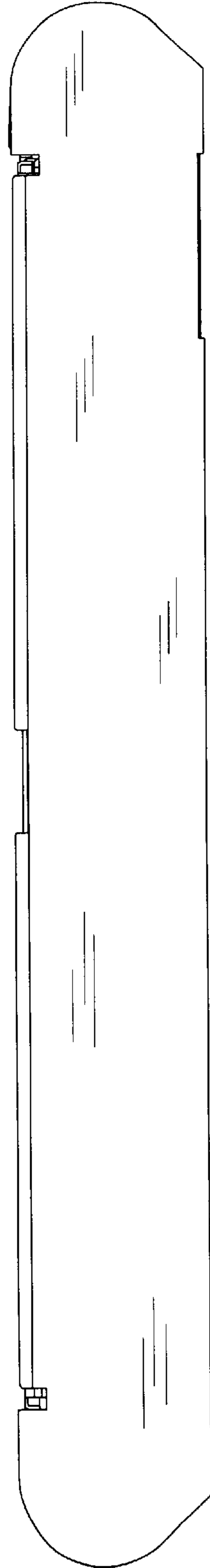


FIG. 10

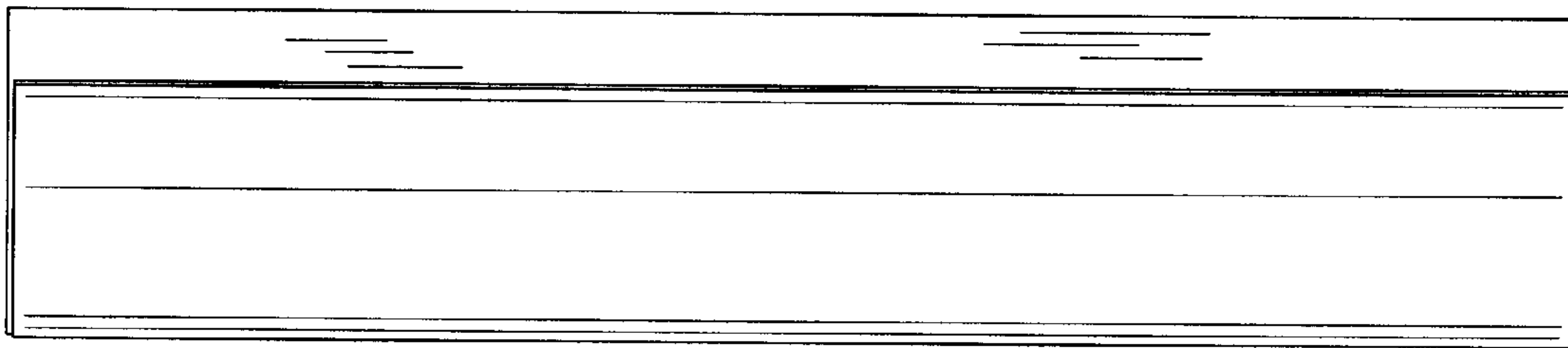


FIG. 11

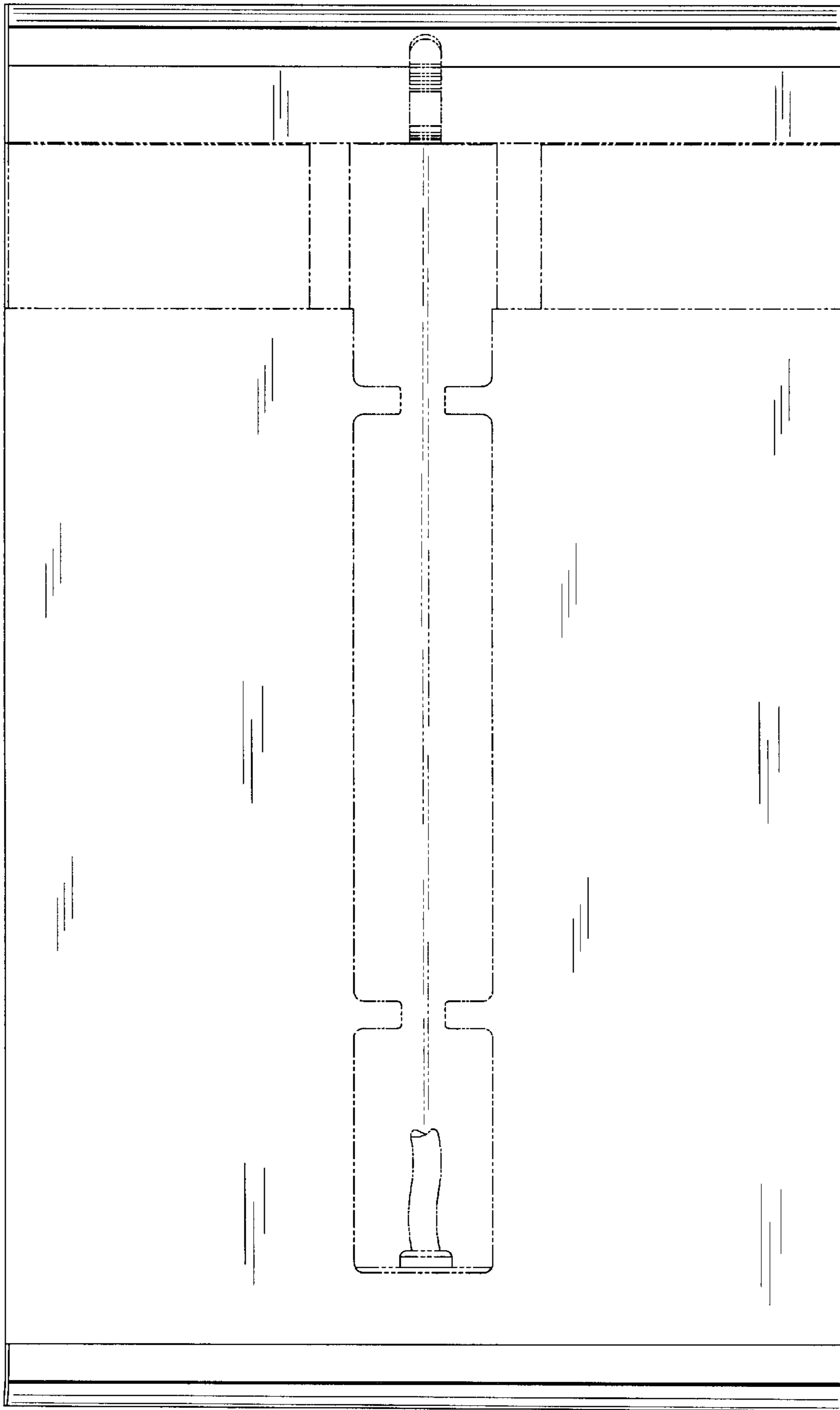


FIG. 12

