



US00D516157S

(12) **United States Design Patent**  
**Ding**

(10) **Patent No.:** **US D516,157 S**  
(45) **Date of Patent:** **\*\* Feb. 28, 2006**

- (54) **MULTI-RAIL FIREARM ACCESSORY MOUNT**
- (75) Inventor: **Tai-Lai Ding**, Northville, MI (US)
- (73) Assignee: **Leapers, Inc.**, Livonia, MI (US)
- (\*\*) Term: **14 Years**
- (21) Appl. No.: **29/227,095**
- (22) Filed: **Apr. 6, 2005**

6,499,245	B1	*	12/2002	Swan	.....	42/71.01
6,508,027	B1	*	1/2003	Kim	.....	42/124
6,606,813	B1	*	8/2003	Squire et al.	.....	42/90
6,618,976	B1	*	9/2003	Swan	.....	42/114
D486,878	S		2/2004	Selvaggio		
D487,792	S		3/2004	Selvaggio		
6,779,288	B1	*	8/2004	Kim	.....	42/72
6,792,711	B1	*	9/2004	Battaglia	.....	42/114
6,826,864	B1	*	12/2004	Houtsma	.....	42/90
6,854,206	B1	*	2/2005	Oz	.....	42/124
6,895,708	B1	*	5/2005	Kim et al.	.....	42/72

\* cited by examiner

**Related U.S. Application Data**

- (62) Division of application No. 29/197,059, filed on Jan. 9, 2004, now Pat. No. Des. 510,120.
- (51) **LOC (8) Cl.** ..... **22-01**
- (52) **U.S. Cl.** ..... **D22/110; D22/108**
- (58) **Field of Classification Search** ..... **D22/100, D22/108, 109, 110, 199; 42/11, 113, 116, 42/119, 124, 125, 90, 127, 145, 115, 126, 42/128, 72, 106, 114, 142, 85, 75.02, 71.01; 248/205.1, 201**  
See application file for complete search history.

*Primary Examiner*—Cathy Anne MacCormac

*Assistant Examiner*—Melanie Levy

(74) *Attorney, Agent, or Firm*—Honigman Miller Schwartz and Cohn LLP

(57) **CLAIM**

The ornamental design for multi-rail firearm accessory mount, as shown and described.

**DESCRIPTION**

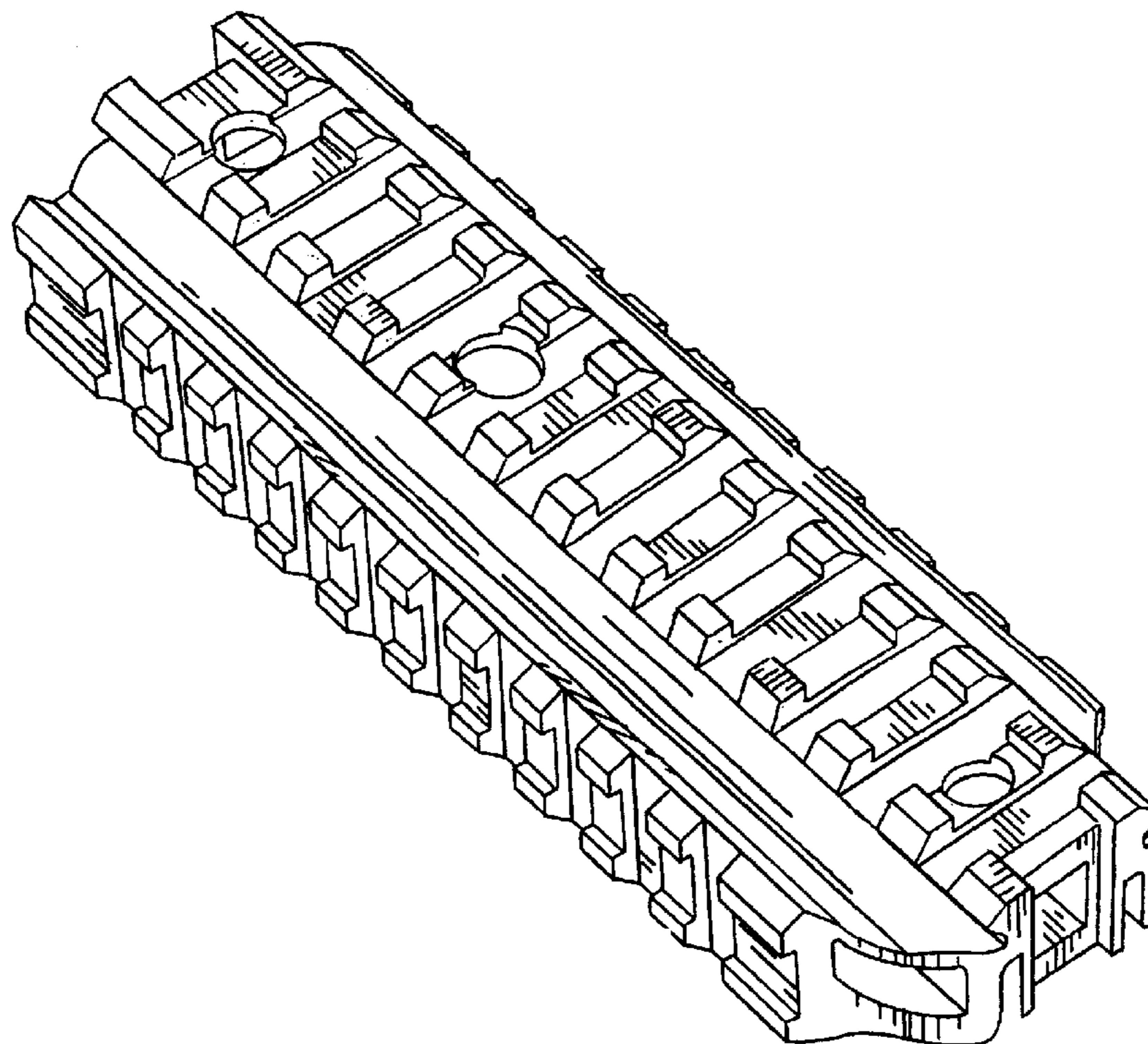
FIG. 1 is a top isometric perspective view of a multi-rail firearm accessory mount according to an embodiment of the present invention;  
 FIG. 2 is a right side elevational view of FIG. 1;  
 FIG. 3 is a left side elevational view of FIG. 1;  
 FIG. 4 is a rear end elevational view of FIG. 1;  
 FIG. 5 is a front and elevational view of FIG. 1;  
 FIG. 6 is a top view of FIG. 1; and,  
 FIG. 7 is a bottom view of FIG. 1.

(56) **References Cited**

**U.S. PATENT DOCUMENTS**

5,533,292	A	7/1996	Swan	
D410,061	S	5/1999	Emerson	
D435,885	S	1/2001	Wallace	
6,418,657	B1	7/2002	Brown	
6,490,822	B1	* 12/2002	Swan	..... 42/71.01

**1 Claim, 3 Drawing Sheets**



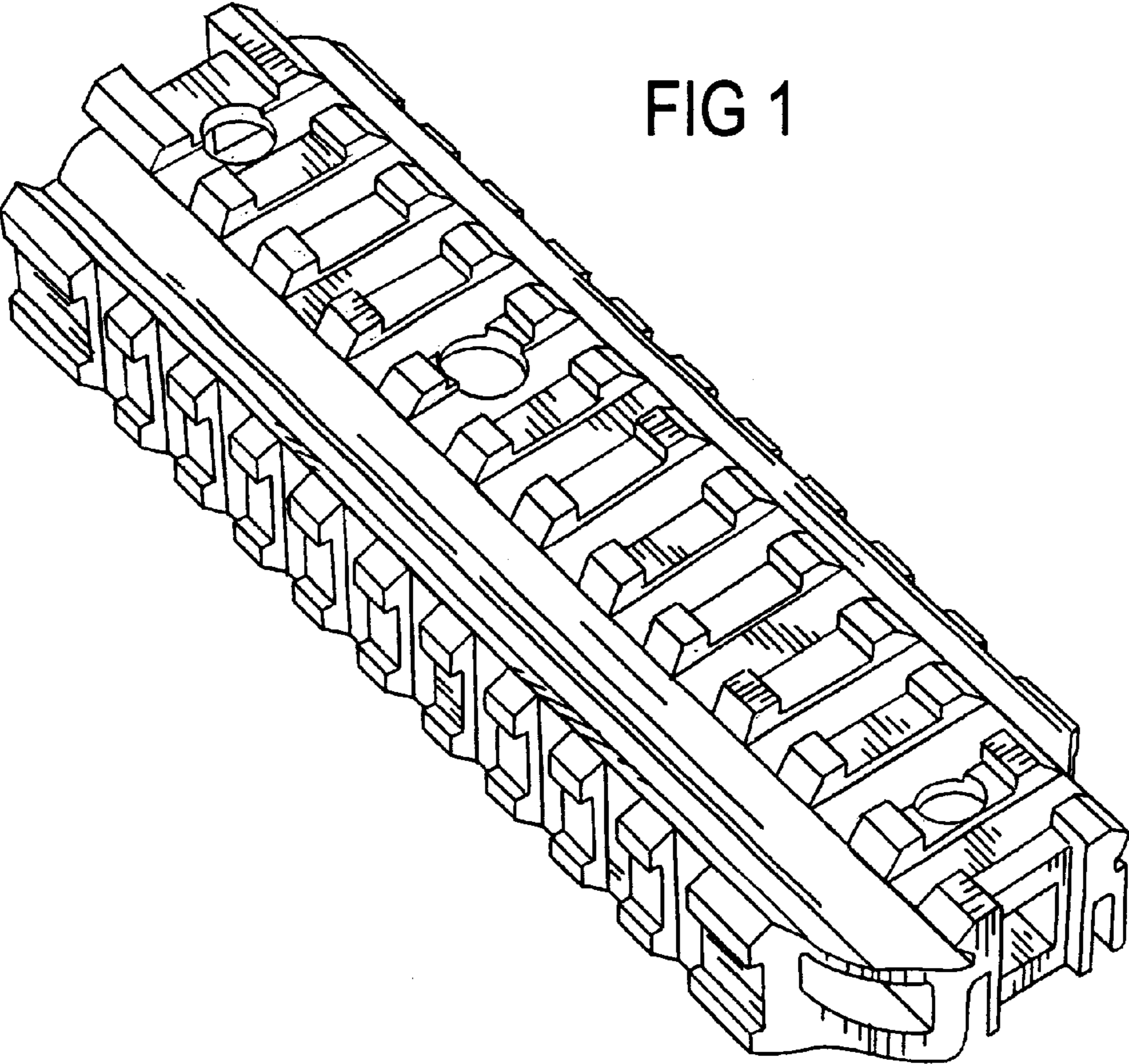


FIG 1

FIG 6

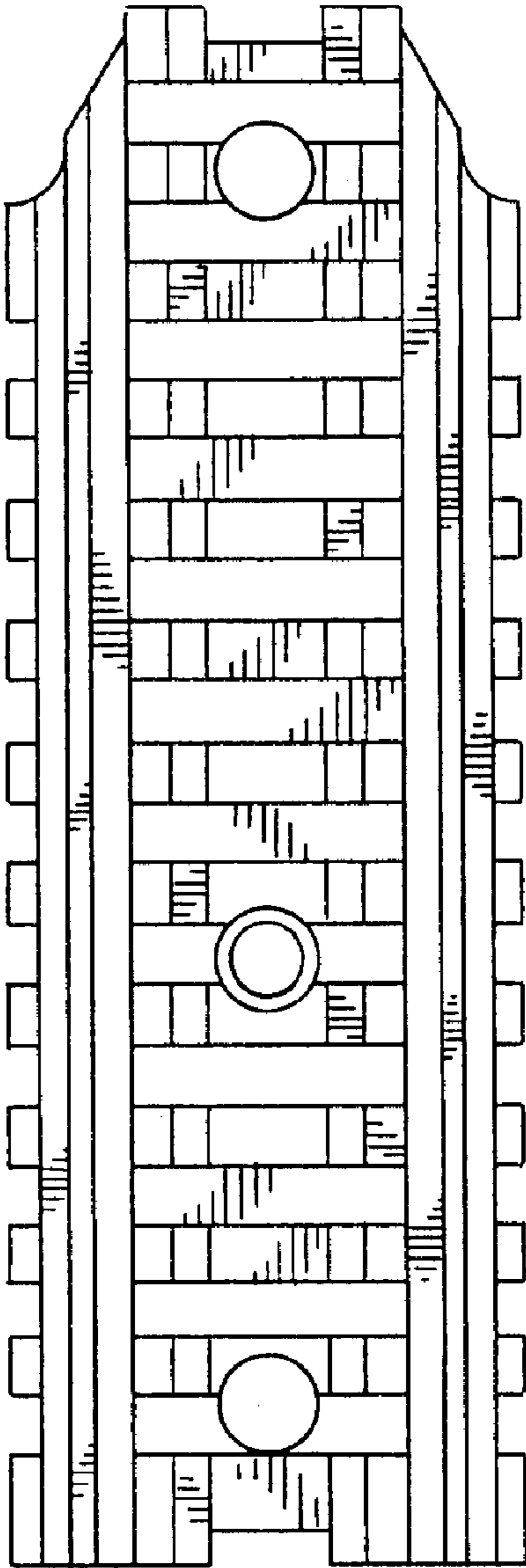


FIG 2

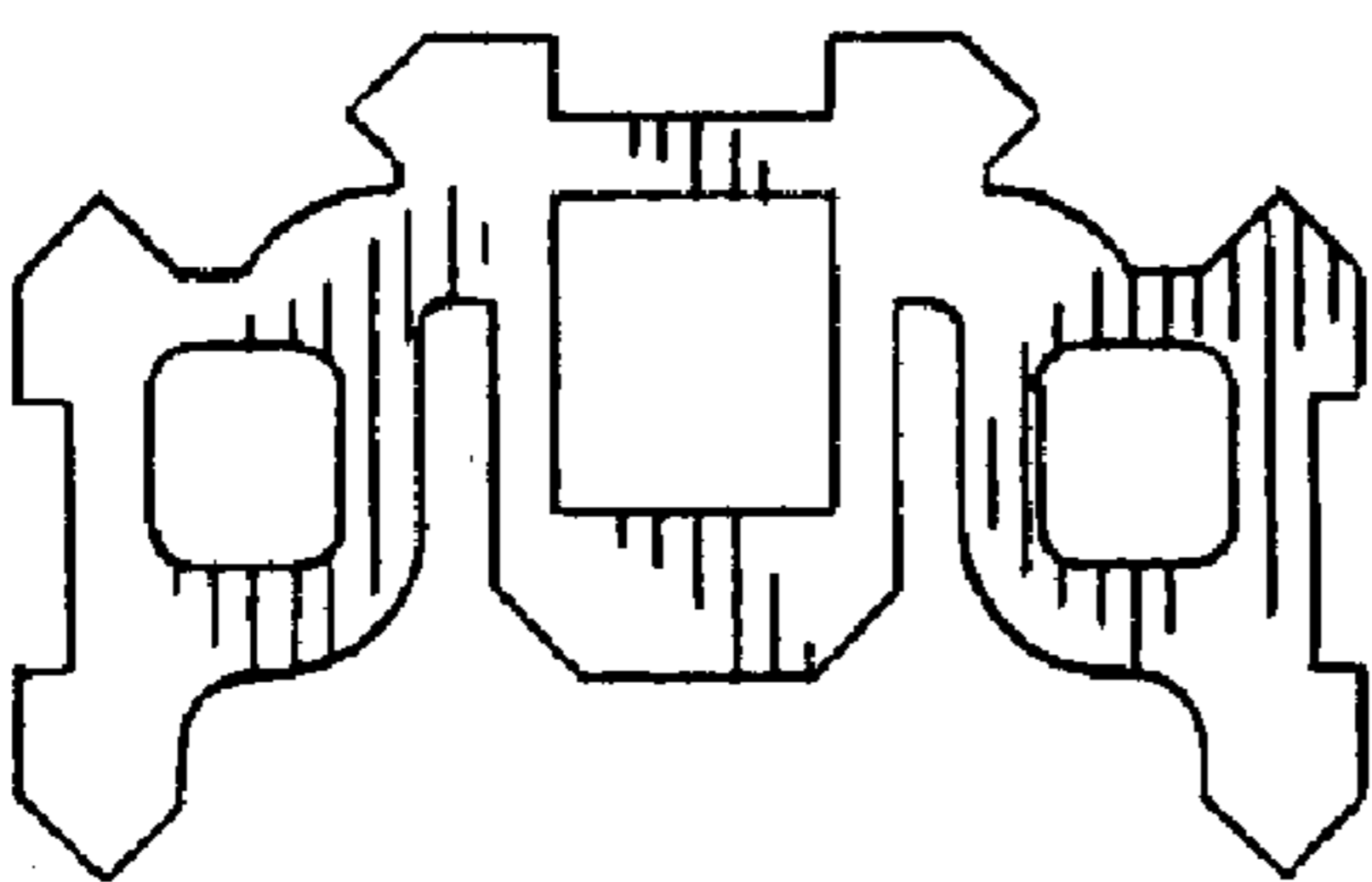
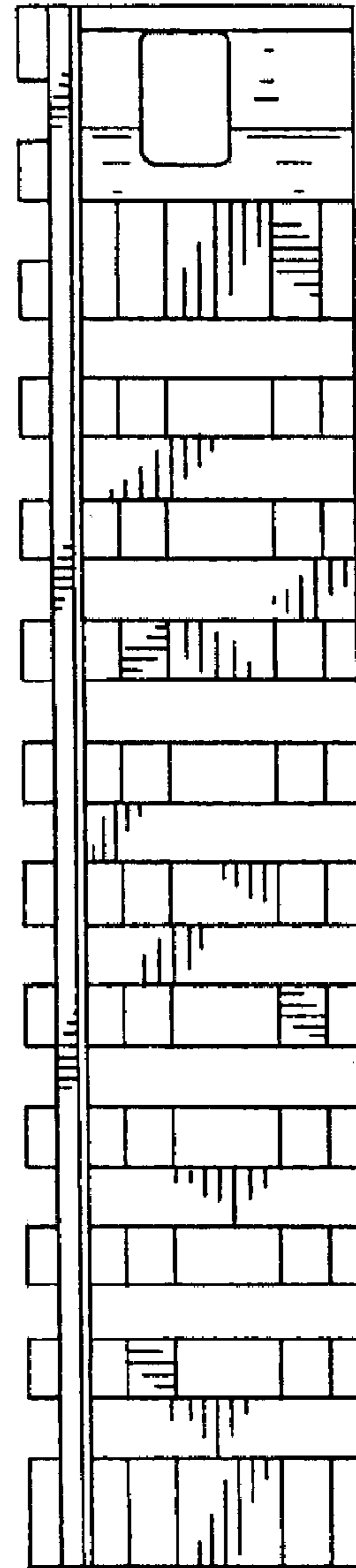


FIG 5

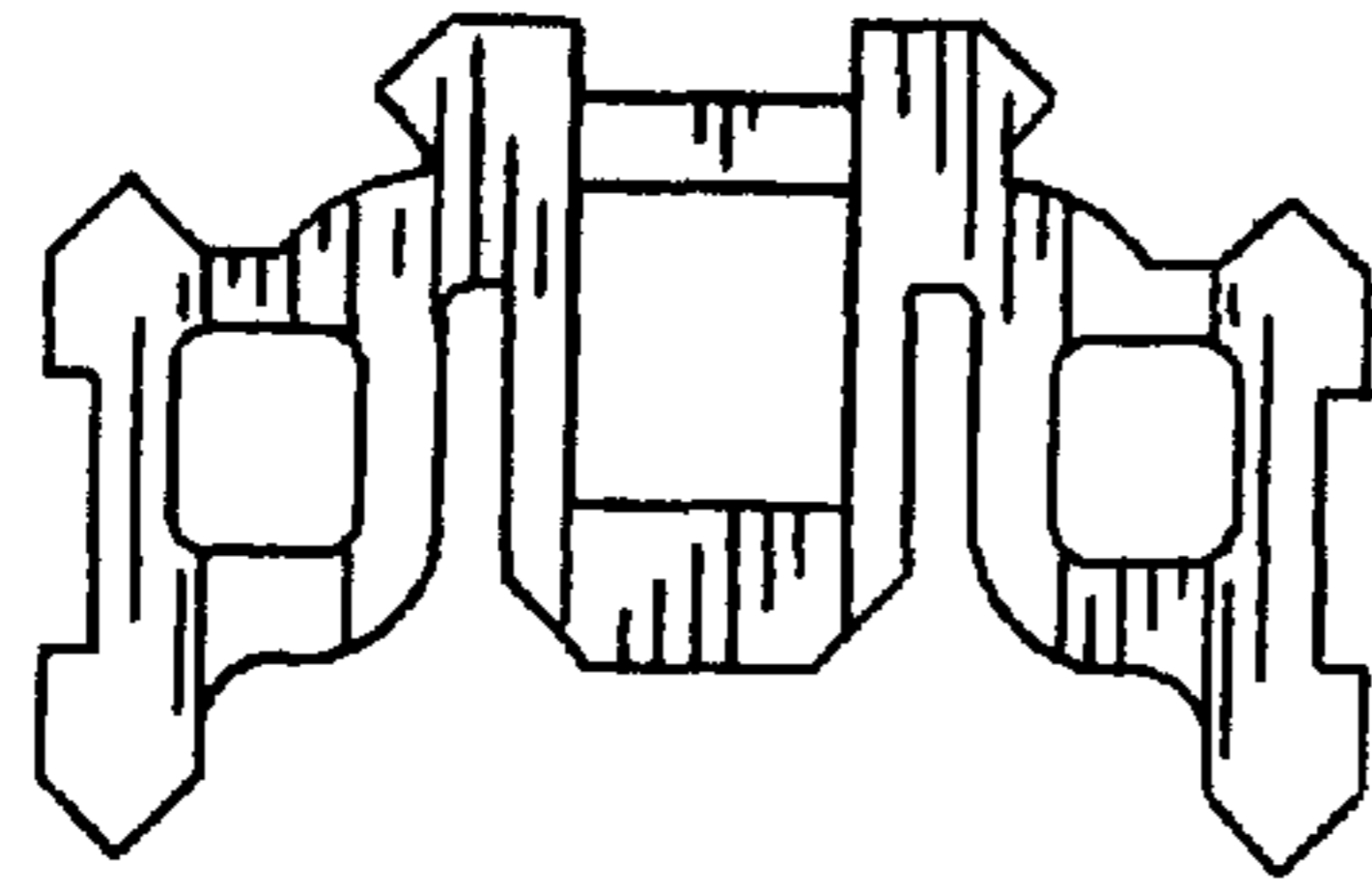


FIG 4

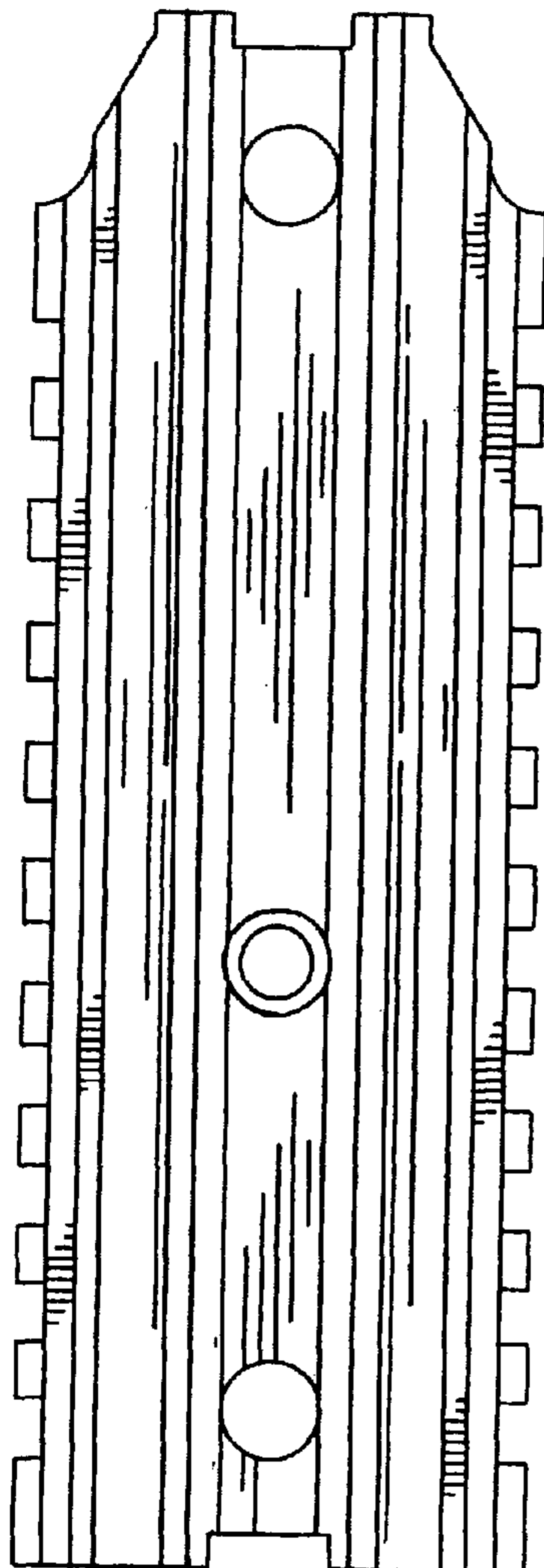


FIG 7

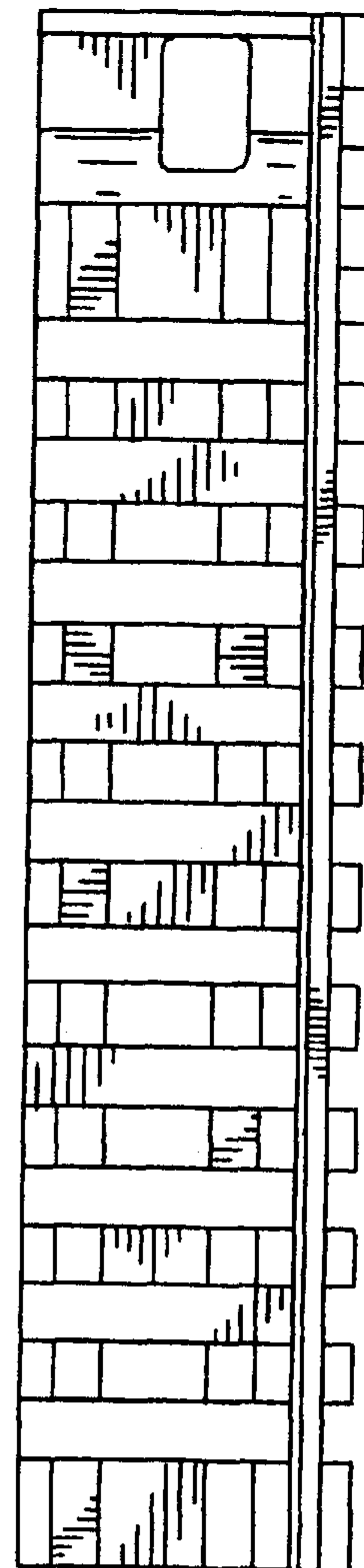


FIG 3

UNITED STATES PATENT AND TRADEMARK OFFICE  
**CERTIFICATE OF CORRECTION**

PATENT NO. : Des. 516,157 S  
DATED : February 28, 2006  
INVENTOR(S) : Tai L. Ding

Page 1 of 1

It is certified that error appears in the above-identified patent and that said Letters Patent is hereby corrected as shown below:

Title page.

Item [57], **DESCRIPTION**,

FIG. 5, should read:

-- FIG. 5 is a front end elevational view of FIG. 1; --.

Signed and Sealed this

Second Day of May, 2006

A handwritten signature in black ink on a light gray dotted background. The signature reads "Jon W. Dudas" in a cursive style.

JON W. DUDAS

*Director of the United States Patent and Trademark Office*