



US00D516156S

(12) **United States Design Patent**  
**Crandall**

(10) **Patent No.: US D516,156 S**

(45) **Date of Patent: \*\* Feb. 28, 2006**

(54) **RANGE DETERMINING RIFLE SCOPE**

(76) **Inventor: Paul E. Crandall, 21250 269th Ave.,  
Nevis, MN (US) 56467**

(\*\*) **Term: 14 Years**

(21) **Appl. No.: 29/226,100**

(22) **Filed: Mar. 25, 2005**

(51) **LOC (8) Cl. .... 22-01**

(52) **U.S. Cl. .... D22/109; D16/132**

(58) **Field of Classification Search ..... D16/130,  
D16/132, 133; D22/100, 108, 109, 199; 33/297,  
33/298; 42/119, 122, 124, 125, 127, 126,  
42/128; 359/399, 421, 422, 424, 425, 428,  
359/823**

See application file for complete search history.

(56) **References Cited**

**U.S. PATENT DOCUMENTS**

3,007,248 A	*	11/1961	Detrich	.....	42/127
D191,942 S	*	12/1961	Armbruster	.....	D16/132
4,255,013 A		3/1981	Allen		
4,497,548 A	*	2/1985	Burriss	.....	359/422
4,584,776 A	*	4/1986	Shepherd	.....	42/122
4,695,161 A		9/1987	Reed		

5,020,902 A		6/1991	Kits Van Heyningen	
5,171,933 A		12/1992	Eldering	
D332,457 S	*	1/1993	Zepp	..... D16/132
5,521,696 A		5/1996	Dunne	
5,616,903 A		4/1997	Springer	
5,669,174 A		9/1997	Teetzel	
D417,679 S		12/1999	Cross et al.	
6,269,581 B1		8/2001	Groh	
D476,714 S	*	7/2003	Meinzer	..... D22/109

\* cited by examiner

*Primary Examiner*—Paula A. Greene

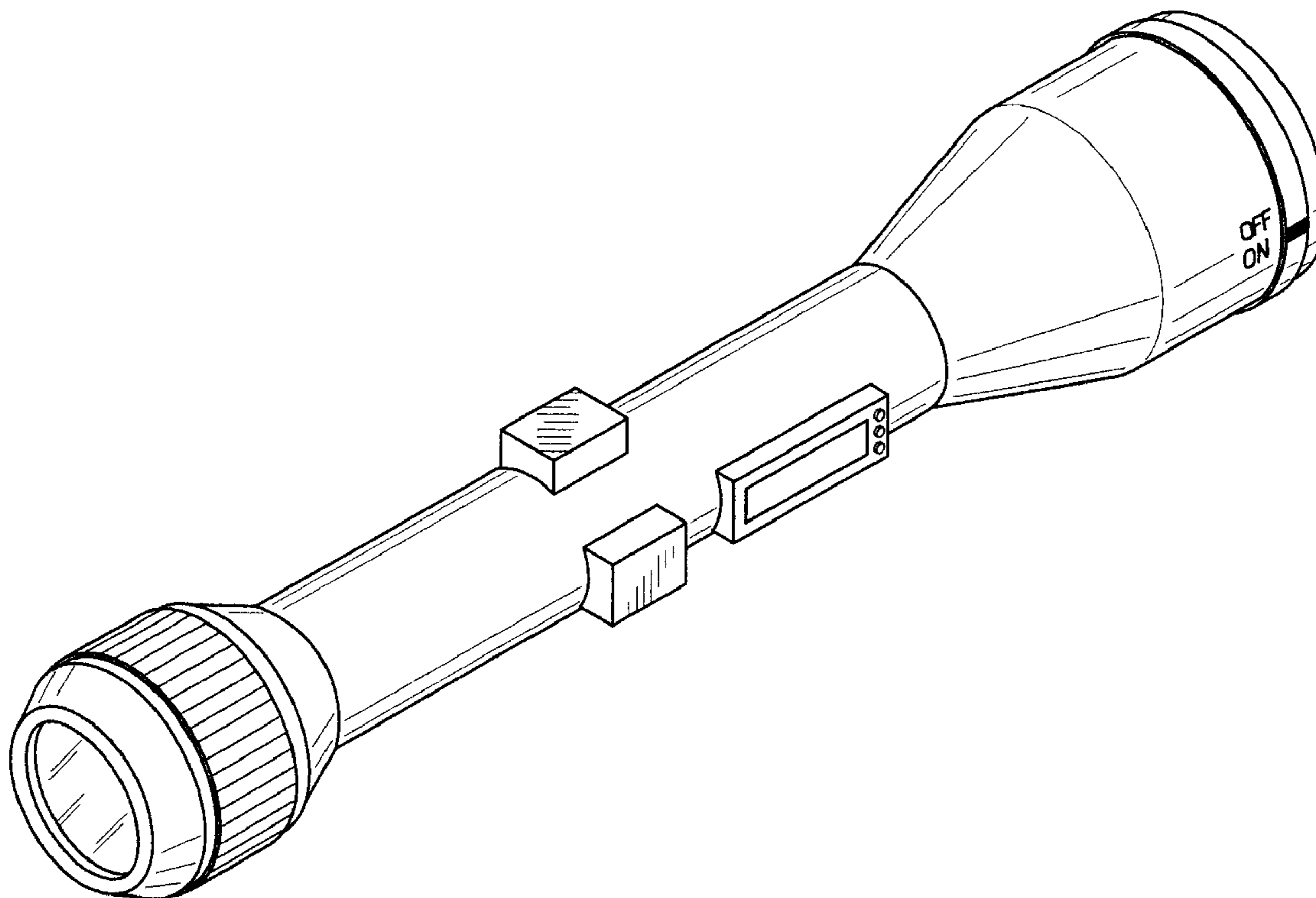
(57) **CLAIM**

The ornamental design for a range determining rifle scope, as shown and described.

**DESCRIPTION**

FIG. 1 is a right side elevational view of a range determining rifle scope showing my new design;  
FIG. 2 is a left side elevational view thereof;  
FIG. 3 is a rear elevational view thereof;  
FIG. 4 is a front elevational view thereof;  
FIG. 5 is a top plan view thereof;  
FIG. 6 is a bottom plan view thereof; and,  
FIG. 7 is a perspective view thereof.

**1 Claim, 3 Drawing Sheets**



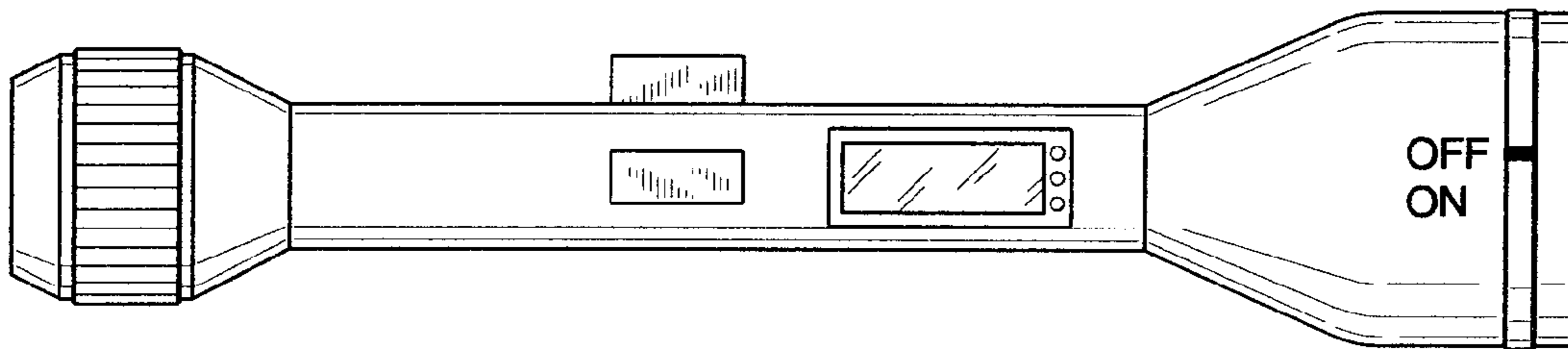


FIG.1

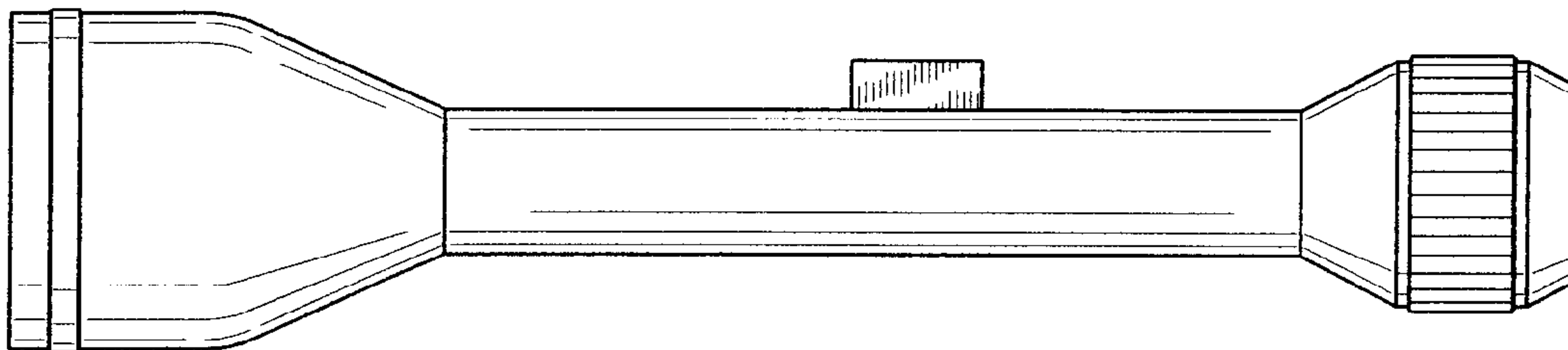


FIG.2

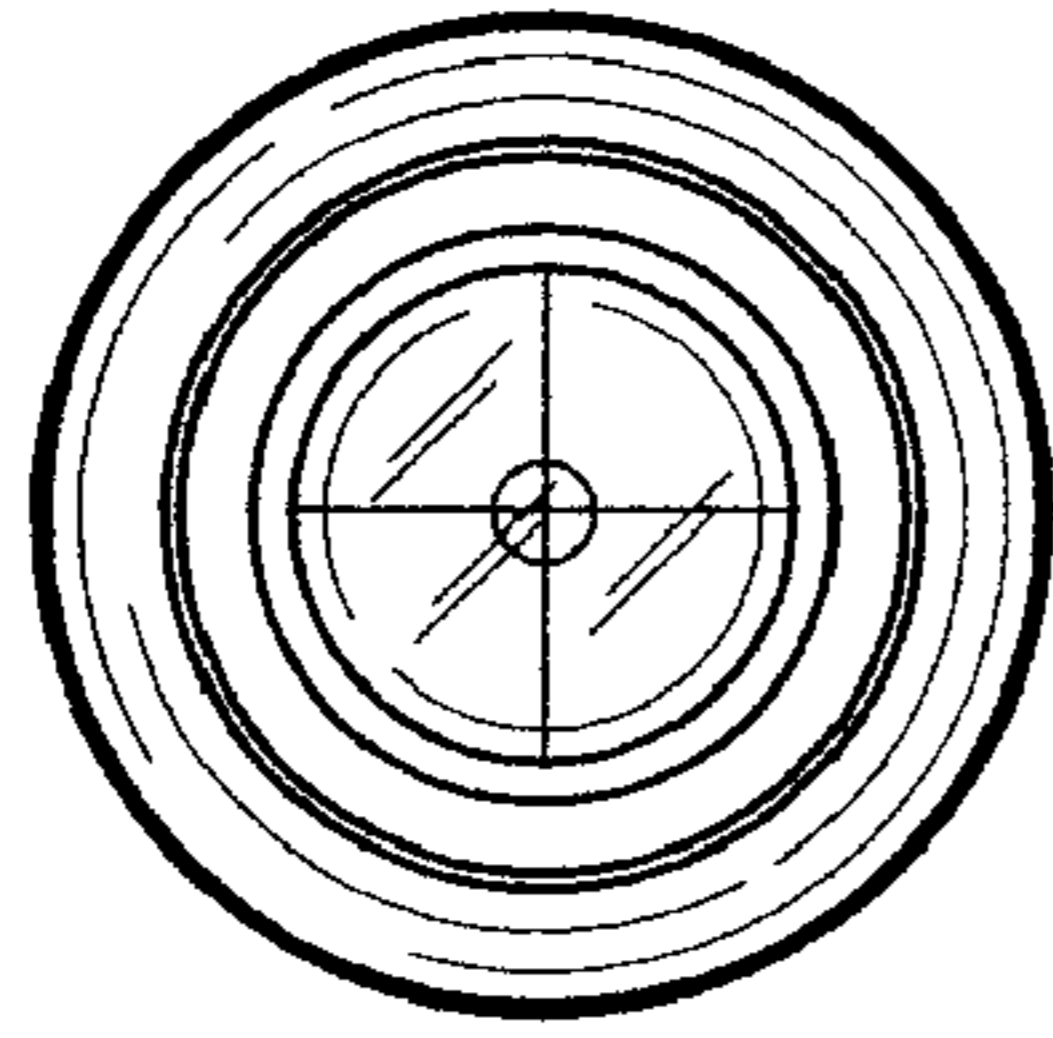


FIG. 3

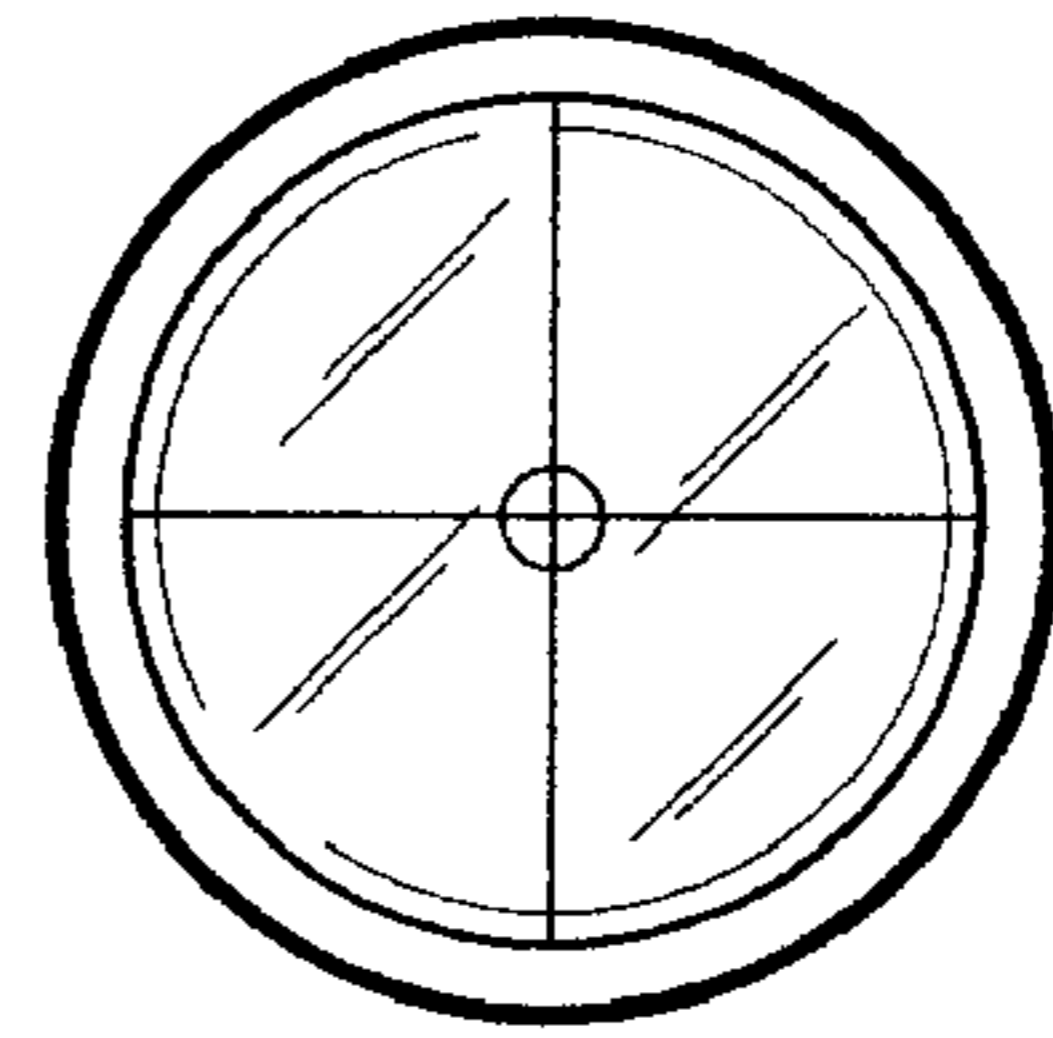


FIG. 4

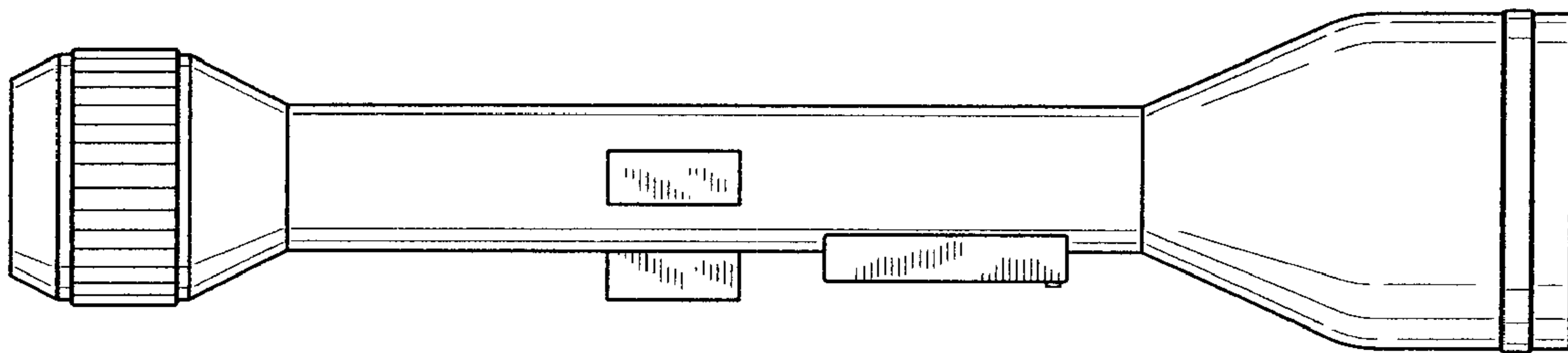


FIG. 5

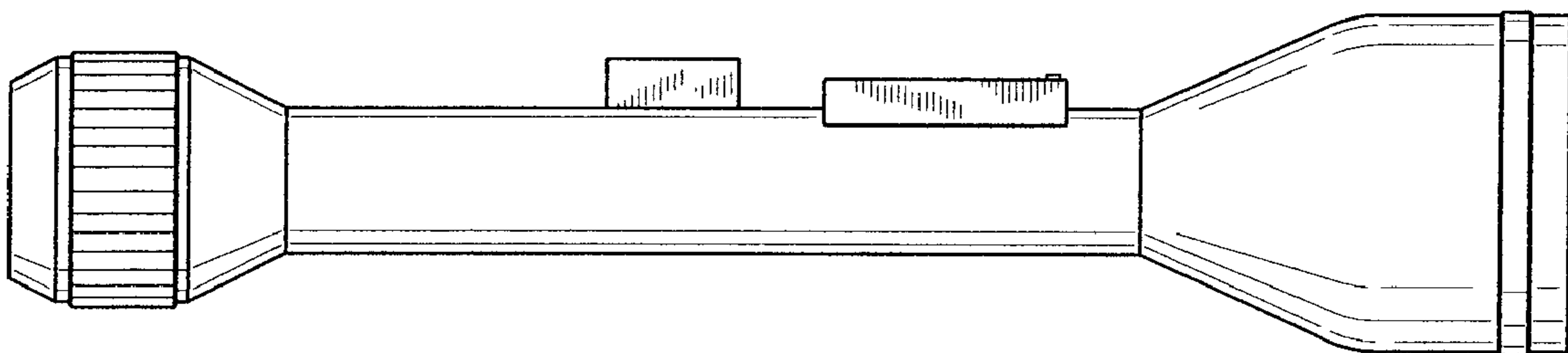


FIG. 6

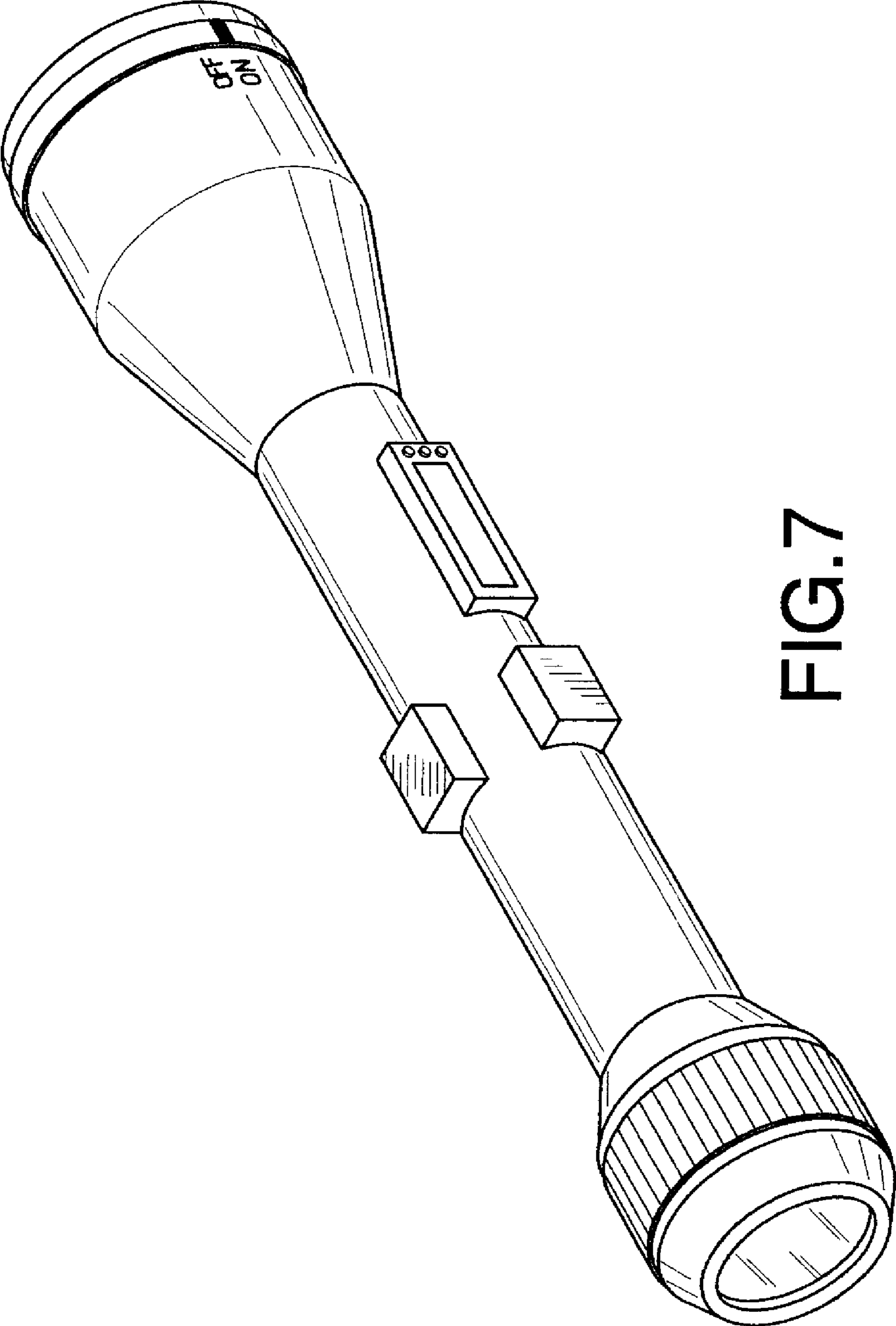


FIG. 7