



US00D516153S

(12) **United States Design Patent**
Cheng et al.

(10) **Patent No.: US D516,153 S**

(45) **Date of Patent: ** Feb. 28, 2006**

(54) **GOLF-TOOL SET**

D500,828 S * 1/2005 Pace D21/793
D505,473 S * 5/2005 Foley D21/793

(76) Inventors: **Tsung-Kai Cheng**, 1F, No. 15, Lane
107, Ming-Sheng St., Lu-Chou City
Taipei Hsien (TW); **Henry Lin**, 3F, No.
329, Lung-Chiang Rd., Taipei (TW)

* cited by examiner

Primary Examiner—Mitchell Siegel
(74) *Attorney, Agent, or Firm*—Birch, Stewart, Kolasch &
Birch, LLP

(**) Term: **14 Years**

(57) **CLAIM**

(21) Appl. No.: **29/211,356**

The ornamental design for “golf-tool set,” as shown and
described.

(22) Filed: **Aug. 16, 2004**

(51) **LOC (8) Cl. 21-02**

(52) **U.S. Cl. D21/795**

(58) **Field of Classification Search** D21/789,
D21/793–795; 473/285, 286, 404–408
See application file for complete search history.

DESCRIPTION

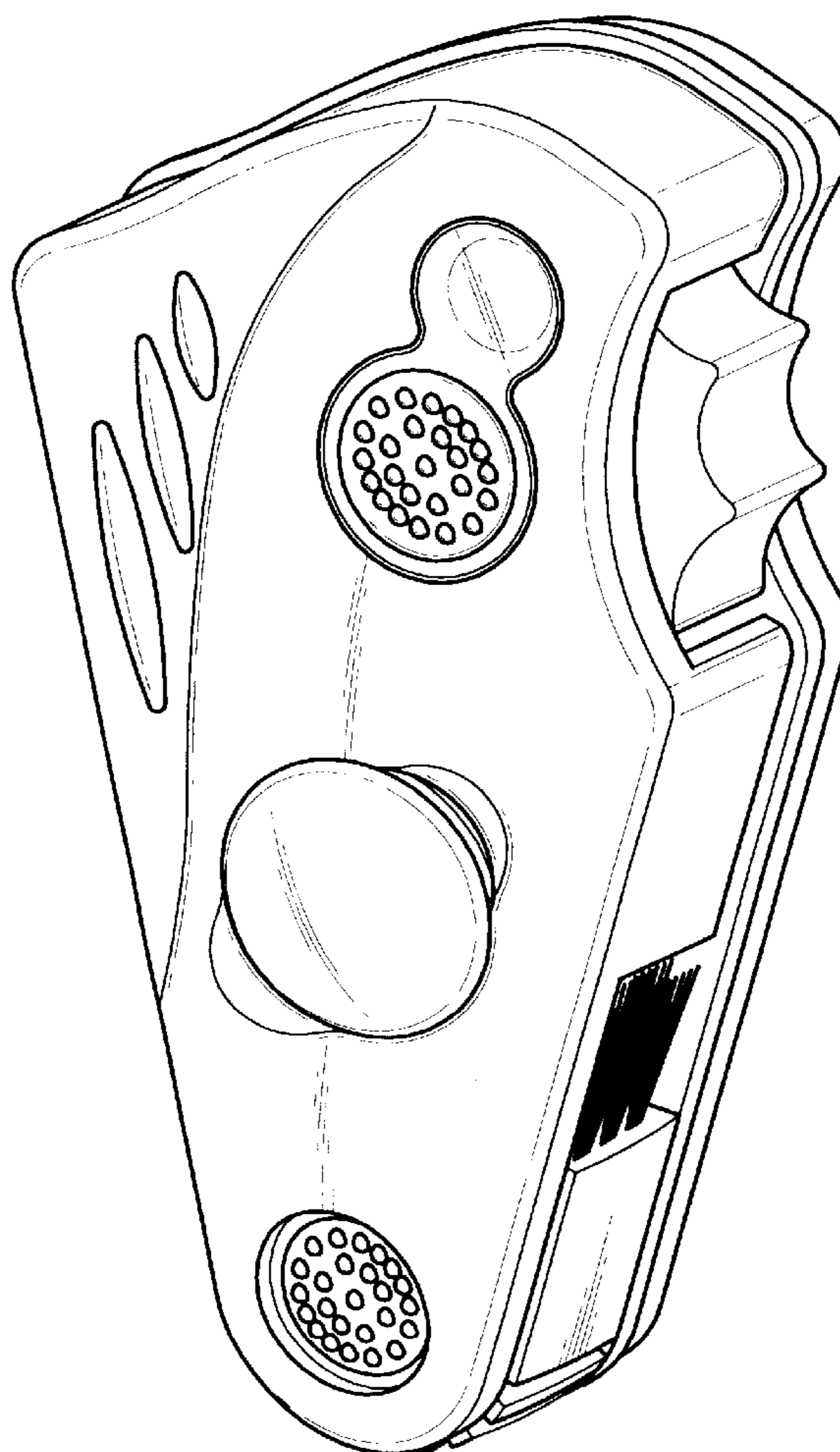
FIG. 1 is a perspective view of “golf-tool set” showing our
new design thereof;
FIG. 2 is a right side elevational view thereof;
FIG. 3 is a top plan view thereof;
FIG. 4 is a front side elevational view thereof;
FIG. 5 is a bottom plan view thereof;
FIG. 6 is a left side elevational view thereof; and,
FIG. 7 is a rear side elevational view thereof.

(56) **References Cited**

U.S. PATENT DOCUMENTS

D238,436 S * 1/1976 McKalvey D21/793
D285,233 S * 8/1986 Owen D21/793
D489,111 S * 4/2004 Perez et al. D21/795

1 Claim, 4 Drawing Sheets



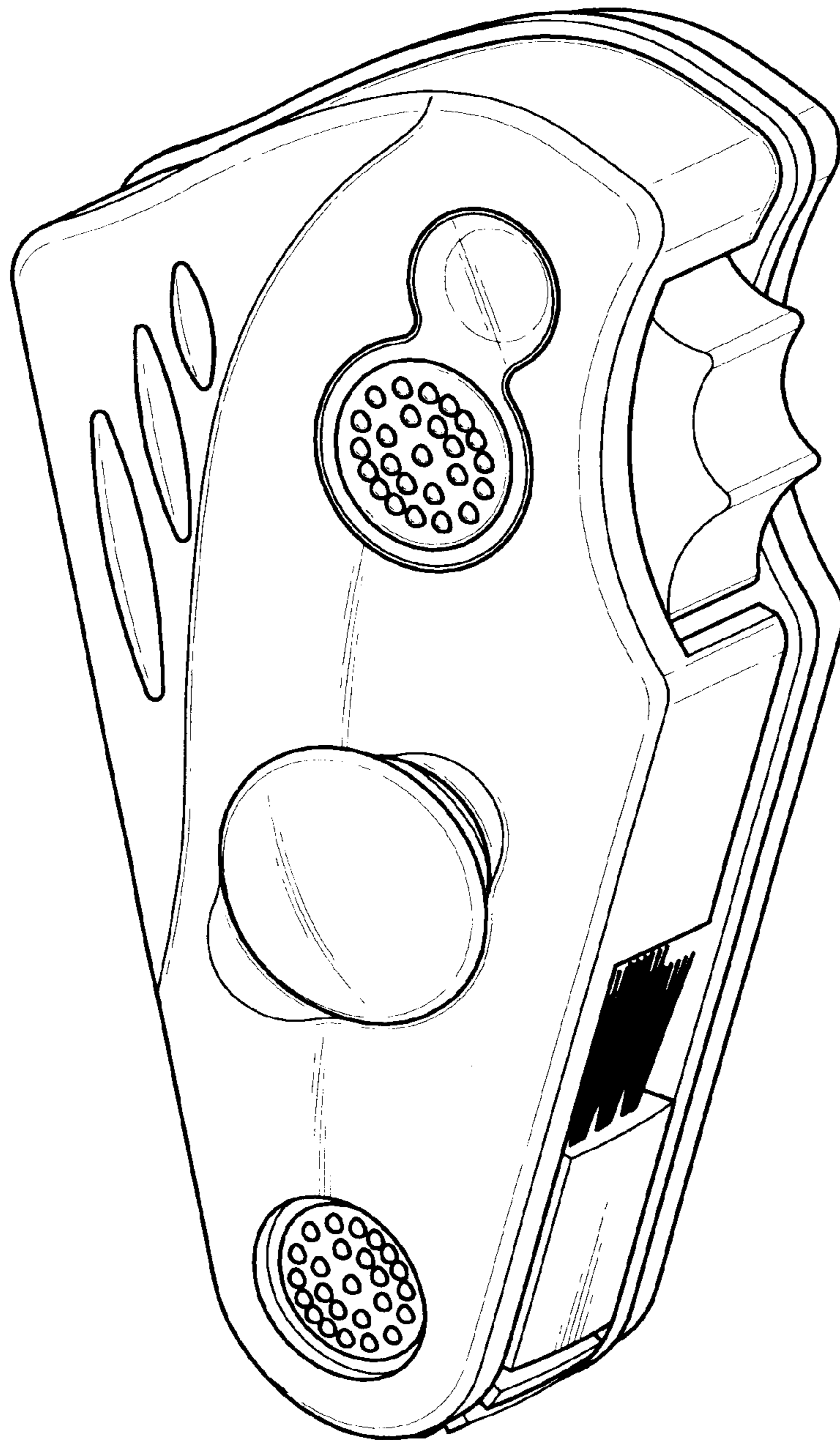


Fig. 1

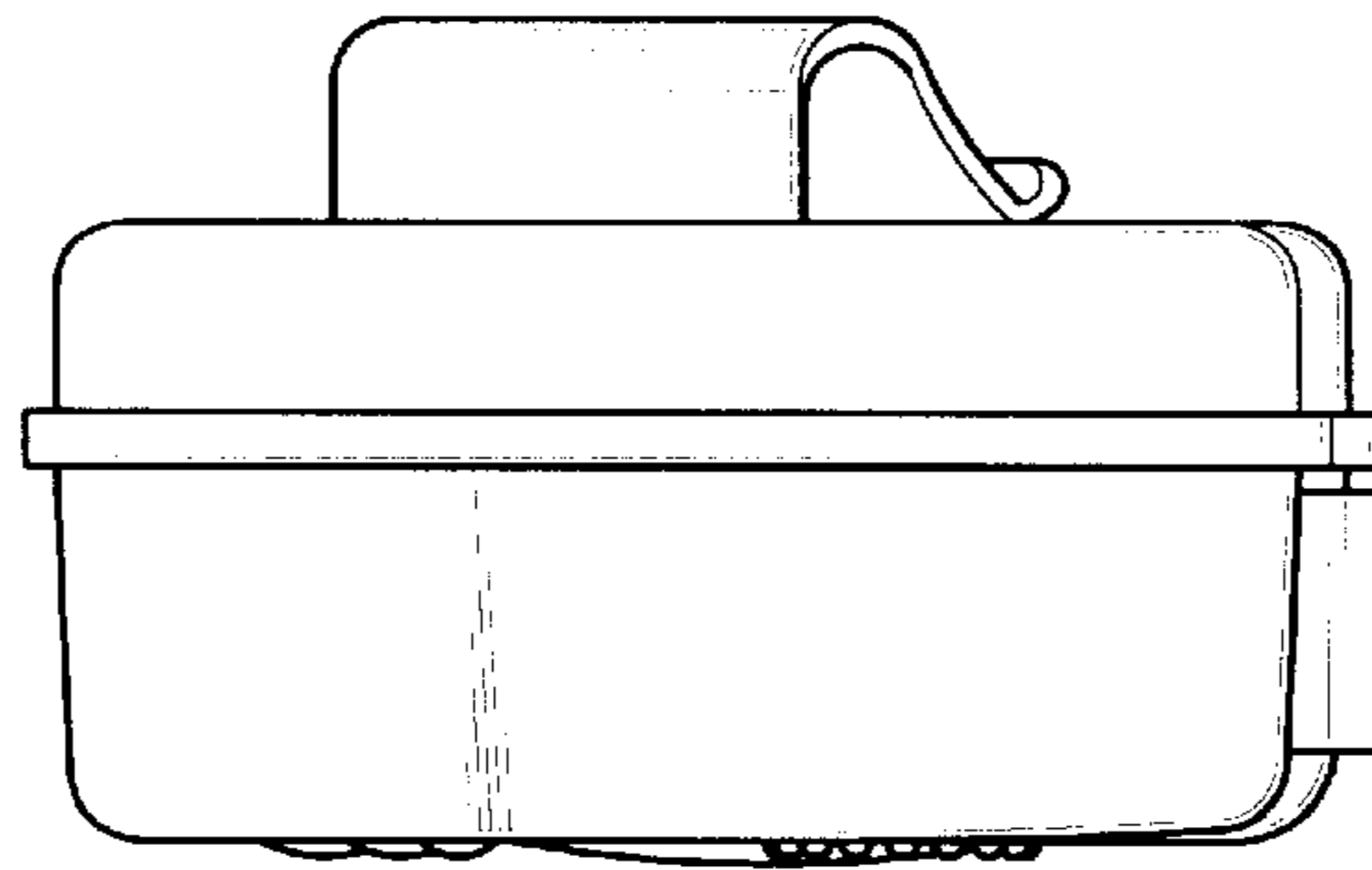


Fig.3

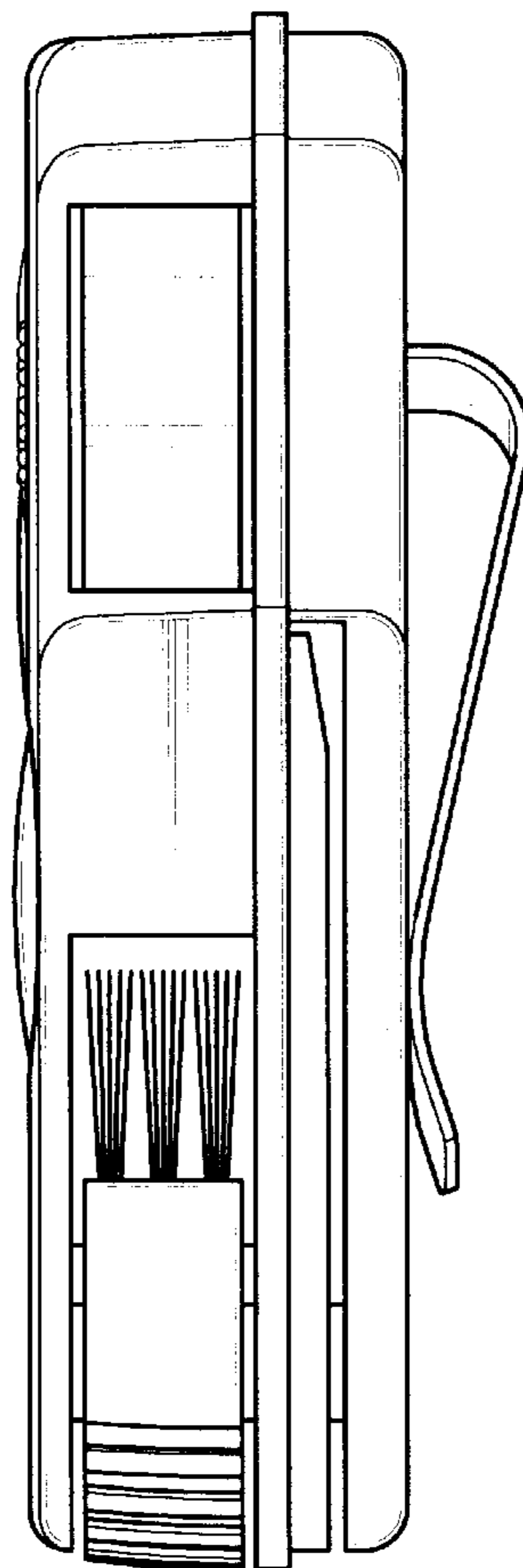


Fig.2

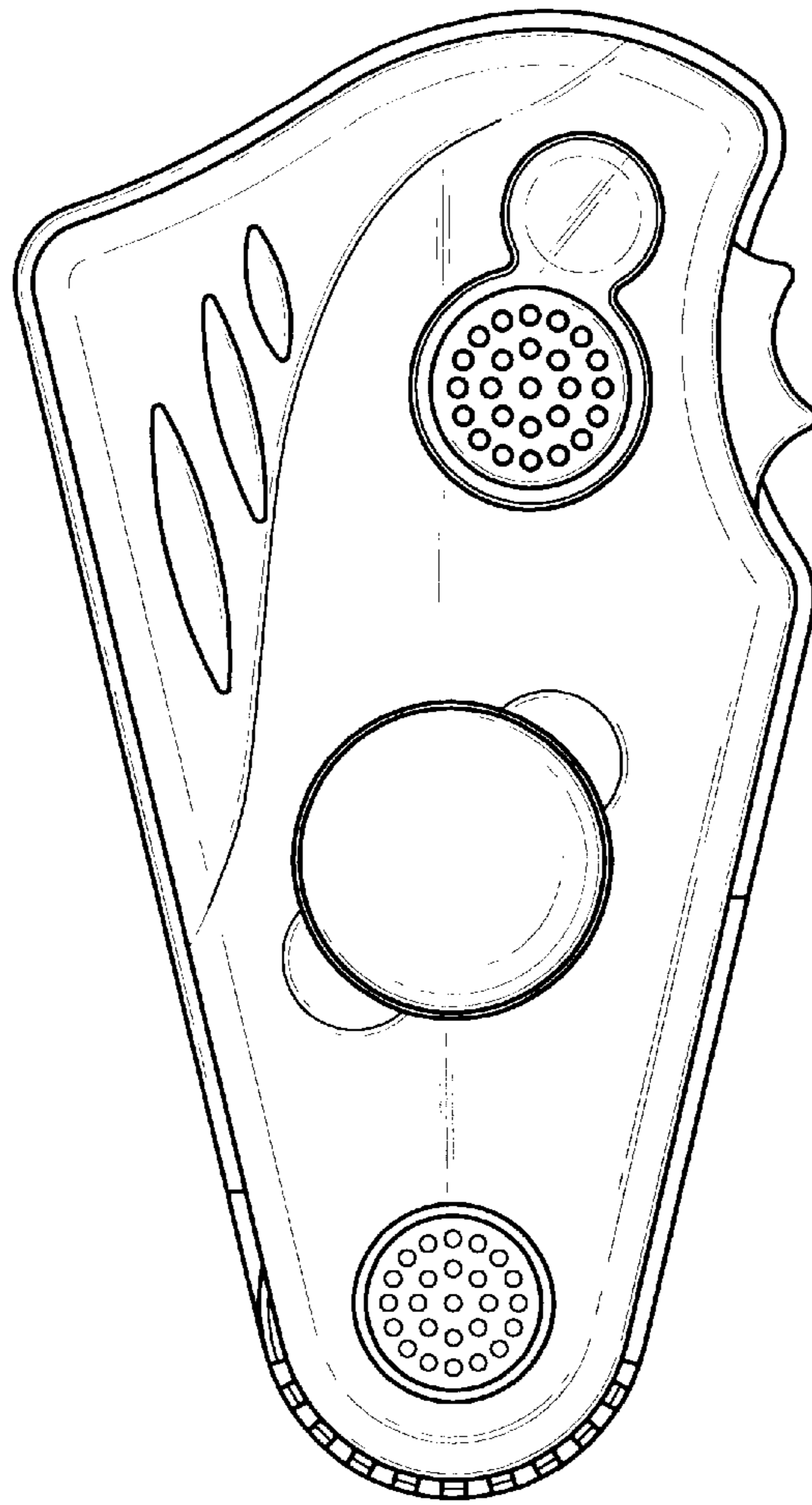


Fig. 4

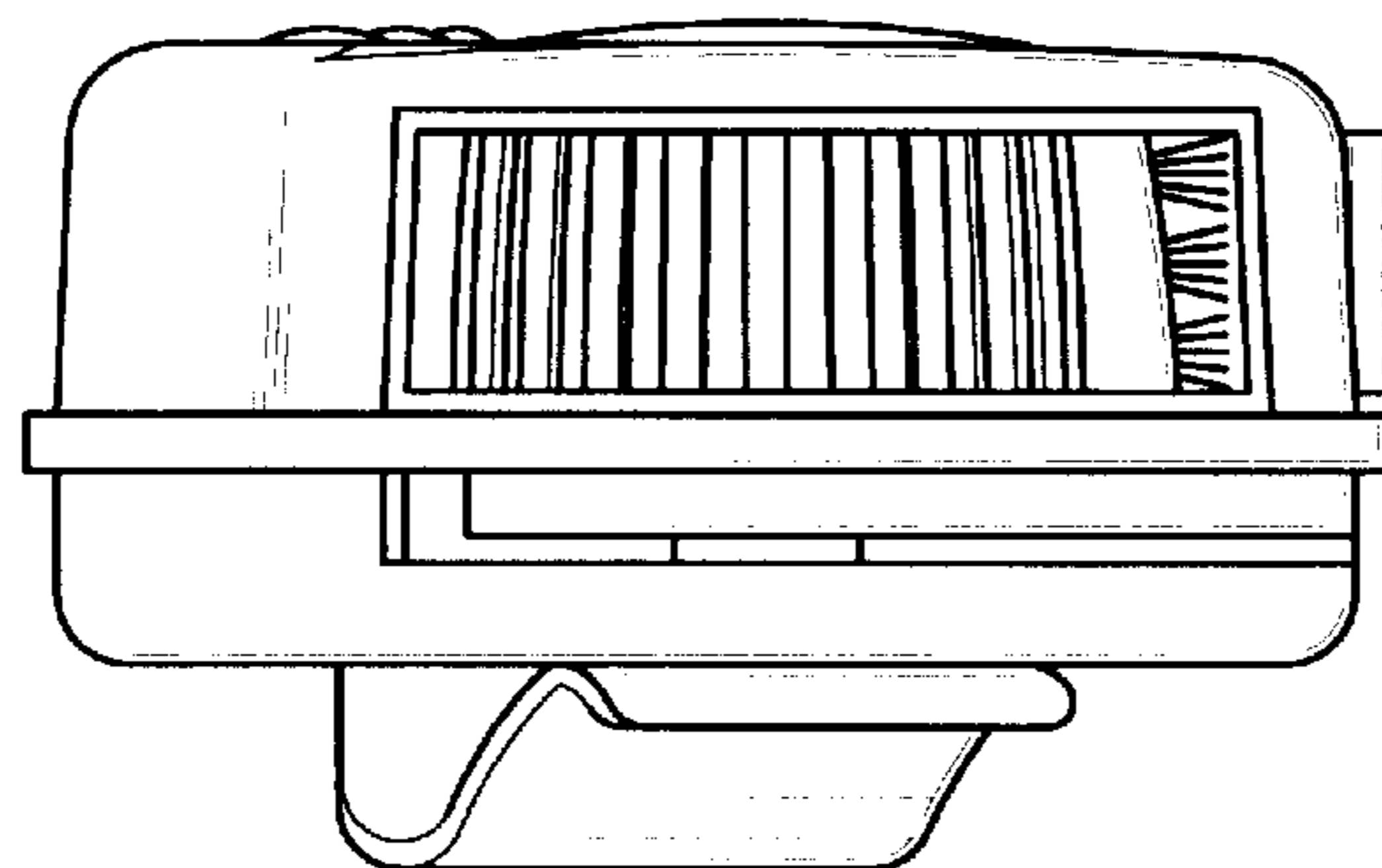


Fig. 5

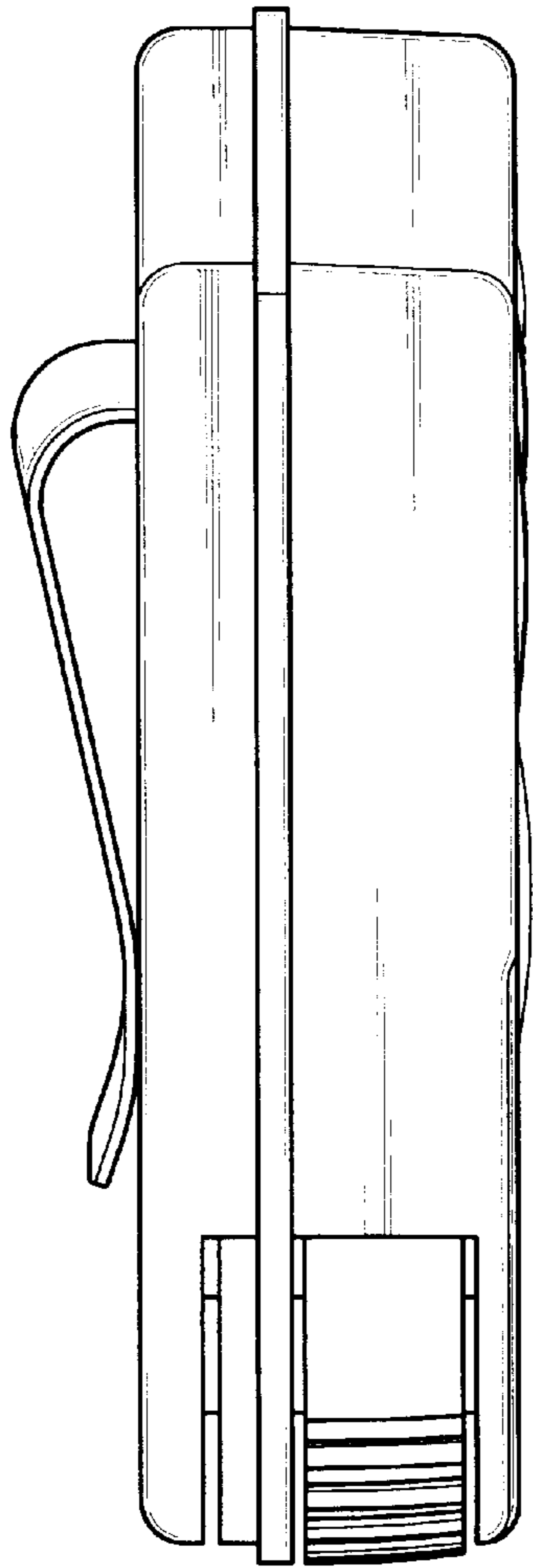


Fig. 6

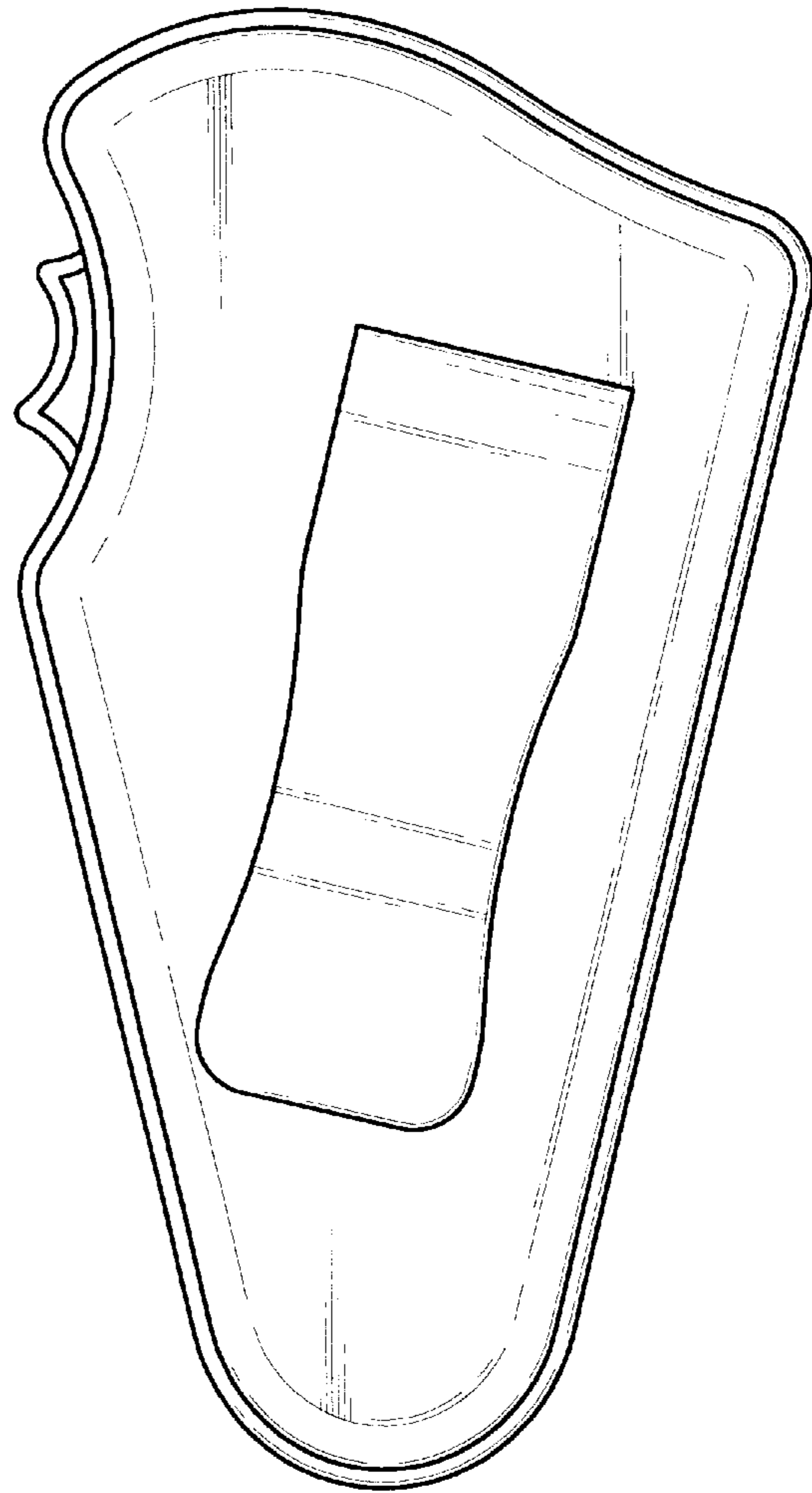


Fig. 7