



US00D516150S

(12) **United States Design Patent**
McCabe

(10) **Patent No.:** **US D516,150 S**

(45) **Date of Patent:** **** *Feb. 28, 2006**

(54) **GOLF CLUB COVER**

(75) Inventor: **Robert McCabe**, LaGrange, IL (US)

(73) Assignee: **Jetpower, INC**, LaGrange, IL (US)

(*) Notice: This patent is subject to a terminal disclaimer.

(**) Term: **14 Years**

(21) Appl. No.: **29/207,947**

(22) Filed: **Jun. 22, 2004**

(51) **LOC (8) Cl.** **21-02**

(52) **U.S. Cl.** **D21/754**

(58) **Field of Classification Search** D21/754;
150/160; 446/297

See application file for complete search history.

(56) **References Cited**

U.S. PATENT DOCUMENTS

- D395,694 S * 6/1998 Perry et al. D21/754
- D401,638 S * 11/1998 Pollard D21/754
- D403,727 S * 1/1999 Colinelli D21/754

- 6,113,457 A * 9/2000 Kociemba 446/297
- D443,666 S * 6/2001 Perry et al. D21/754
- D465,536 S * 11/2002 Pontiff D21/754
- D466,568 S * 12/2002 Pontiff D21/754
- D466,572 S * 12/2002 Pontiff D21/754

* cited by examiner

Primary Examiner—Mitchell Siegel

(74) *Attorney, Agent, or Firm*—Justin L Ampel

(57) **CLAIM**

The ornamental design for a golf club cover, as shown and described.

DESCRIPTION

FIG. 1 is a side perspective view of a golf club cover showing my design;

FIG. 2 is a top plan view of the present invention;

FIG. 3 is a side view of the present invention;

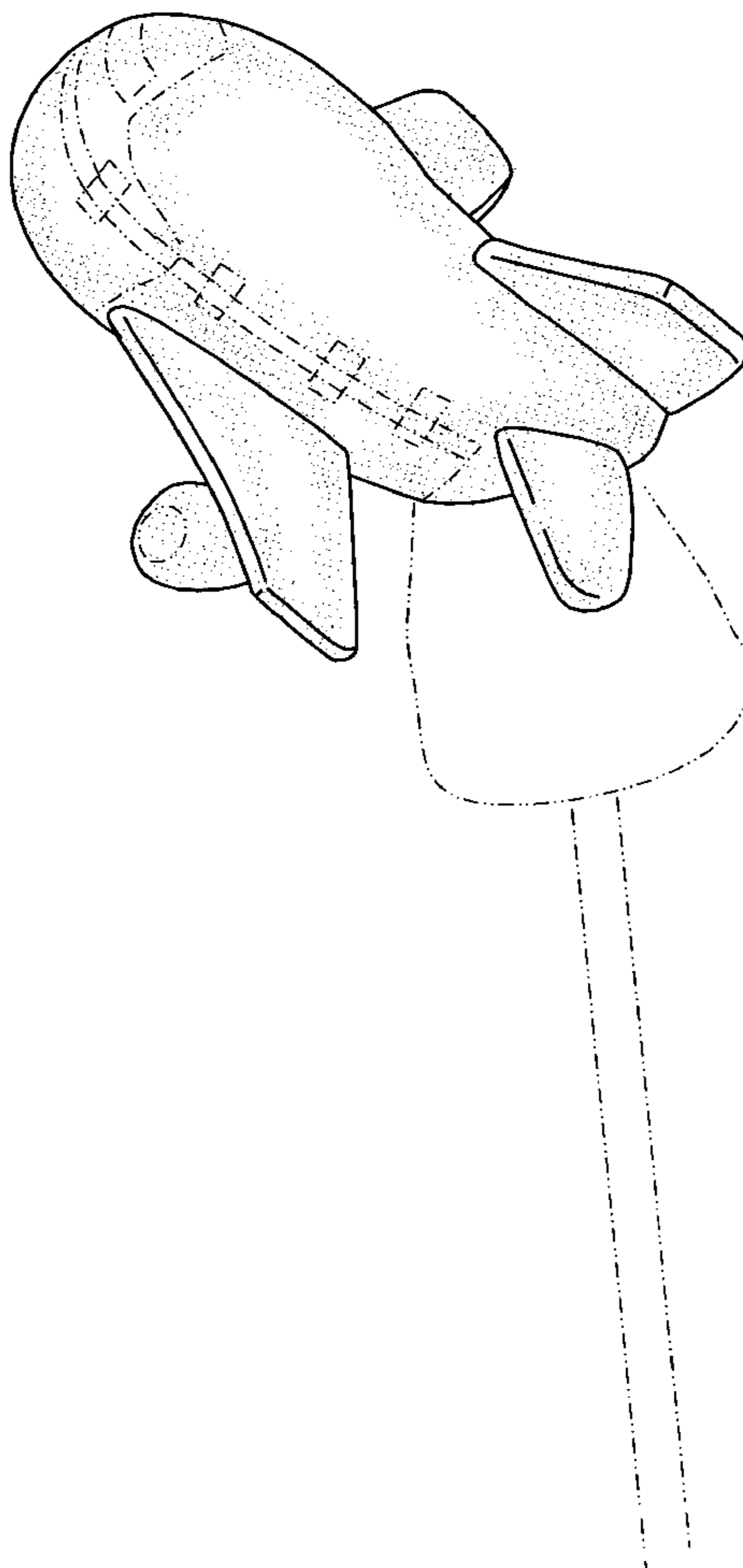
FIG. 4 is a front view of the present invention;

FIG. 5 is a bottom plan view of the present invention; and,

FIG. 6 is a rear view of the present invention.

The broken line showing is for illustrative purposes only and forms no part of the claimed design.

1 Claim, 3 Drawing Sheets



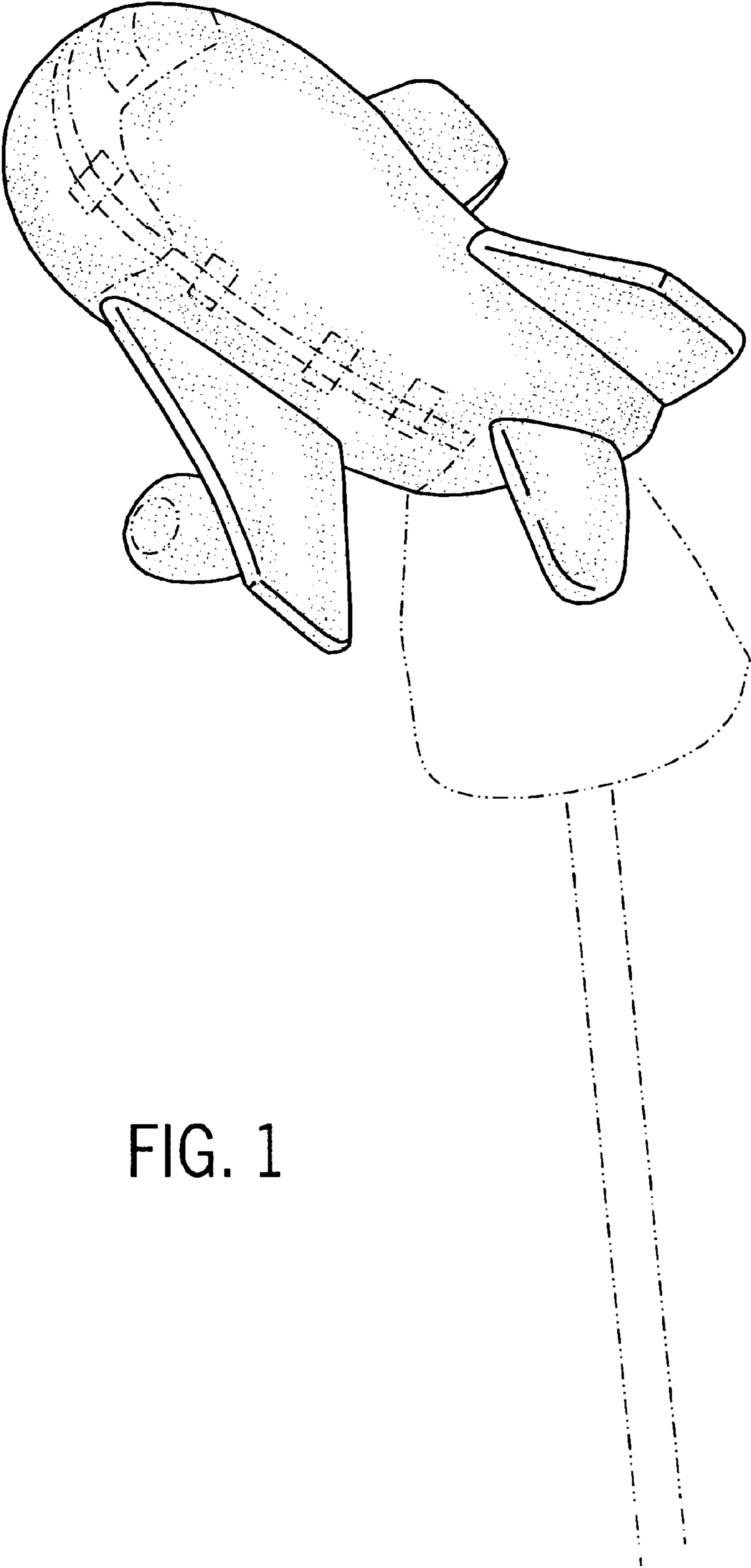


FIG. 1

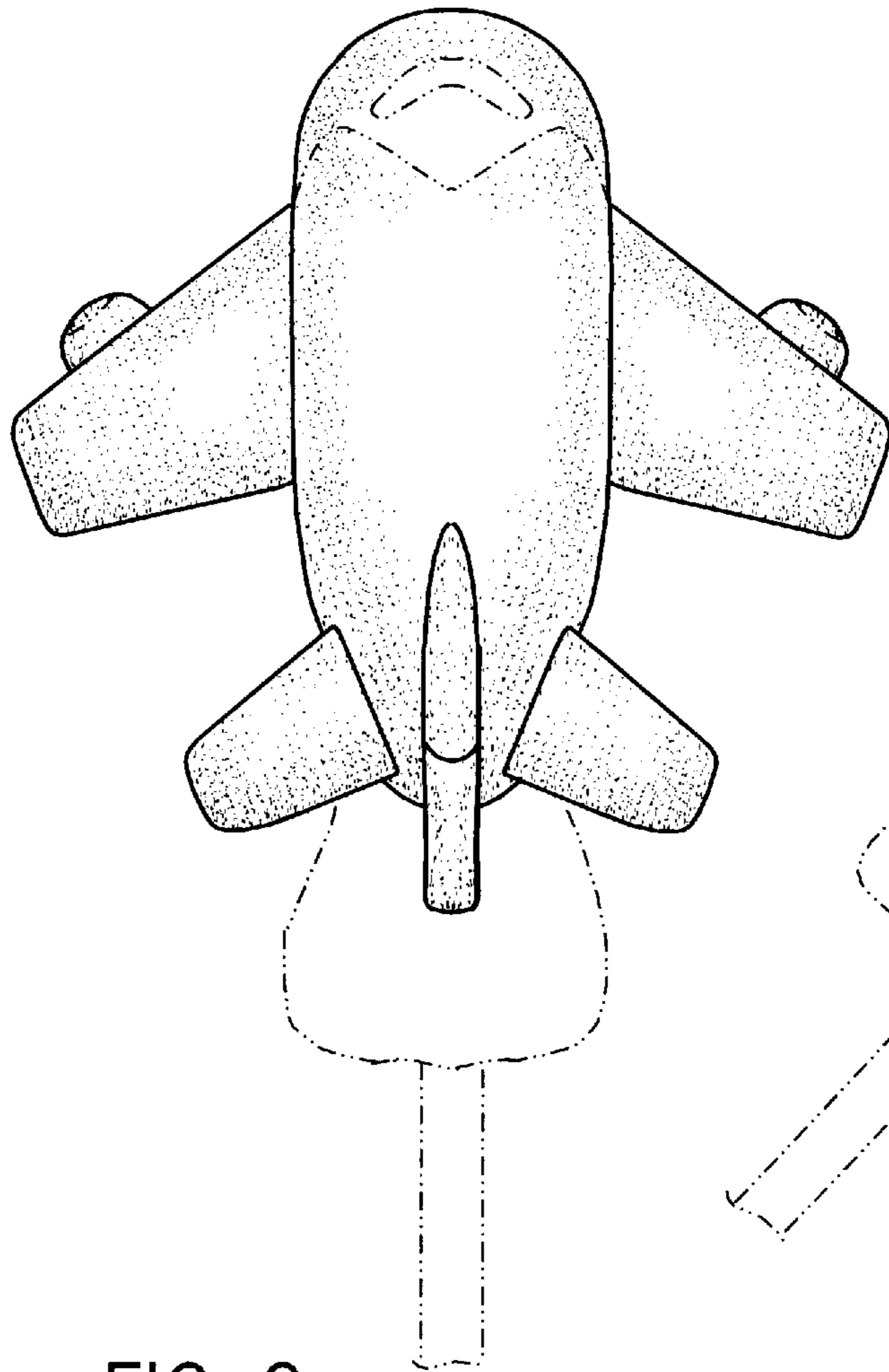


FIG. 2

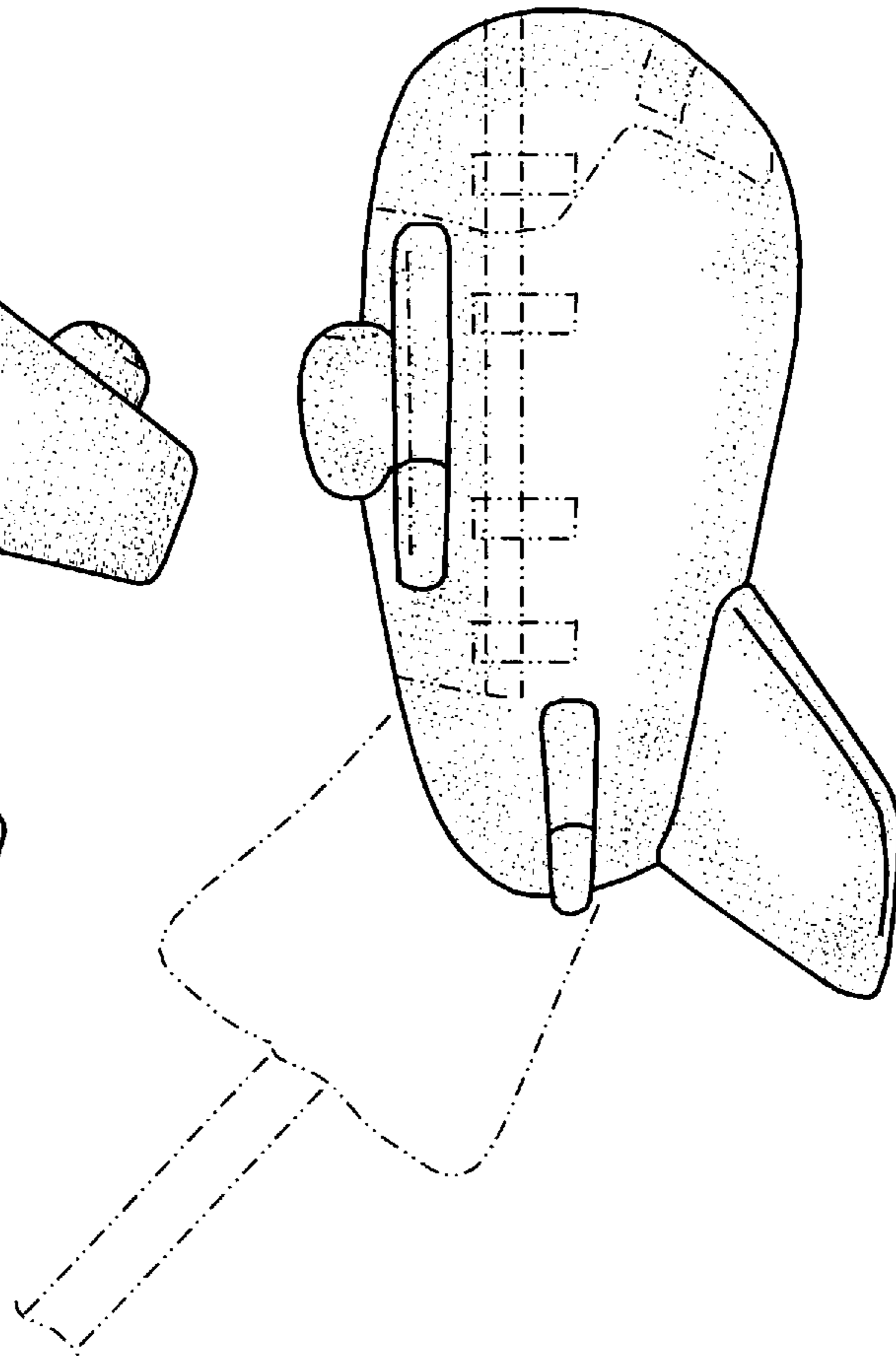


FIG. 3

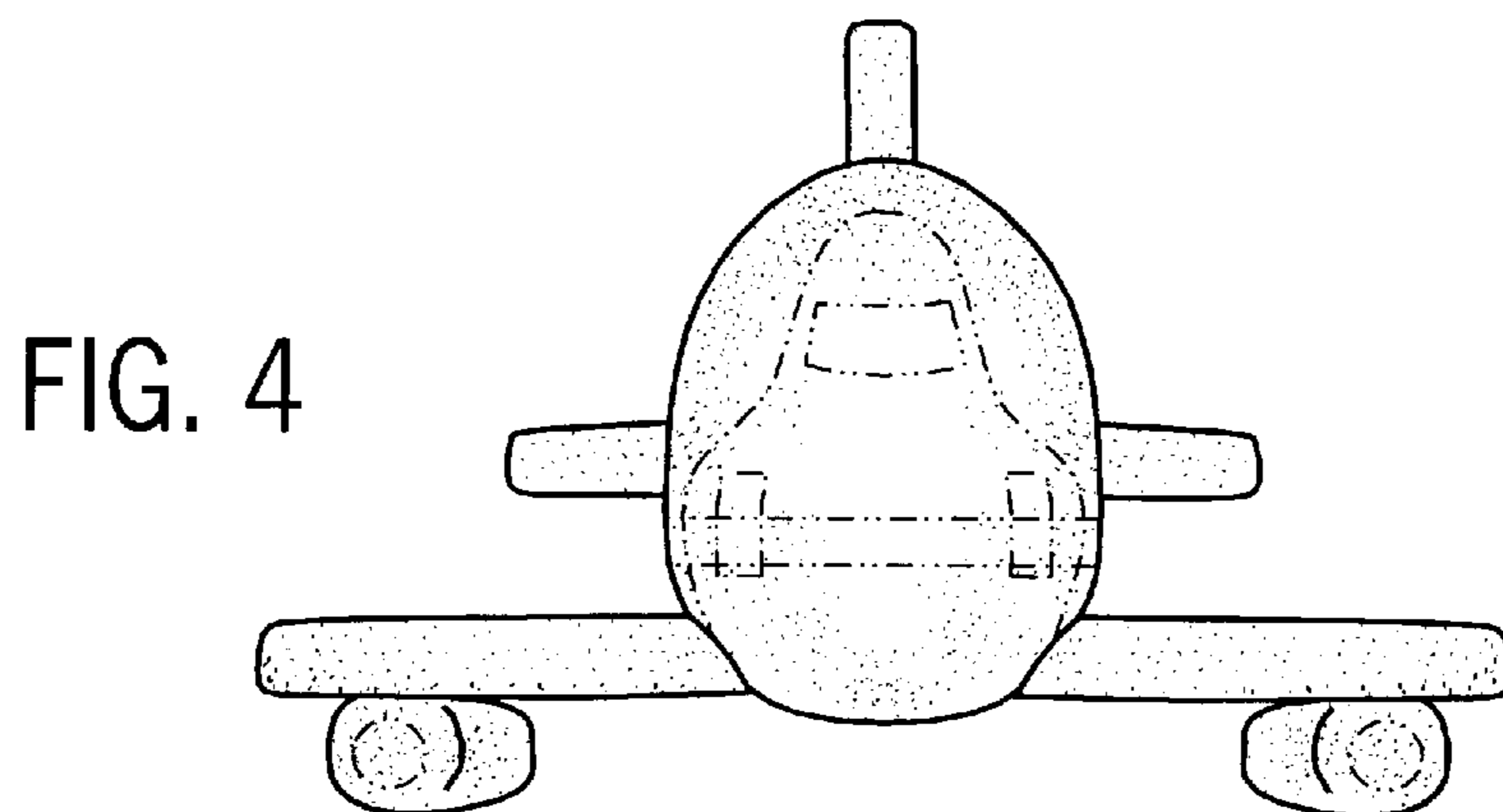


FIG. 4

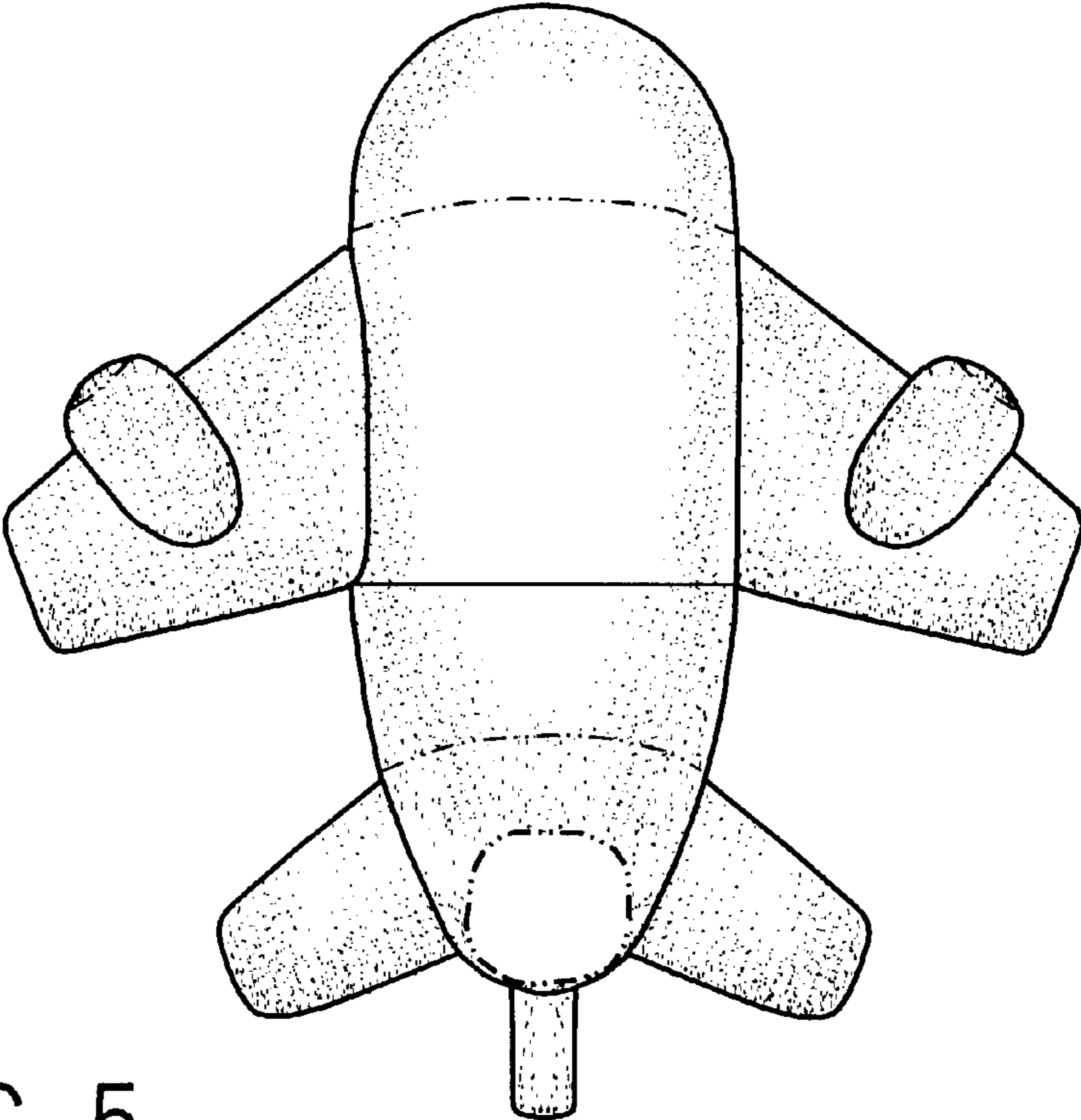
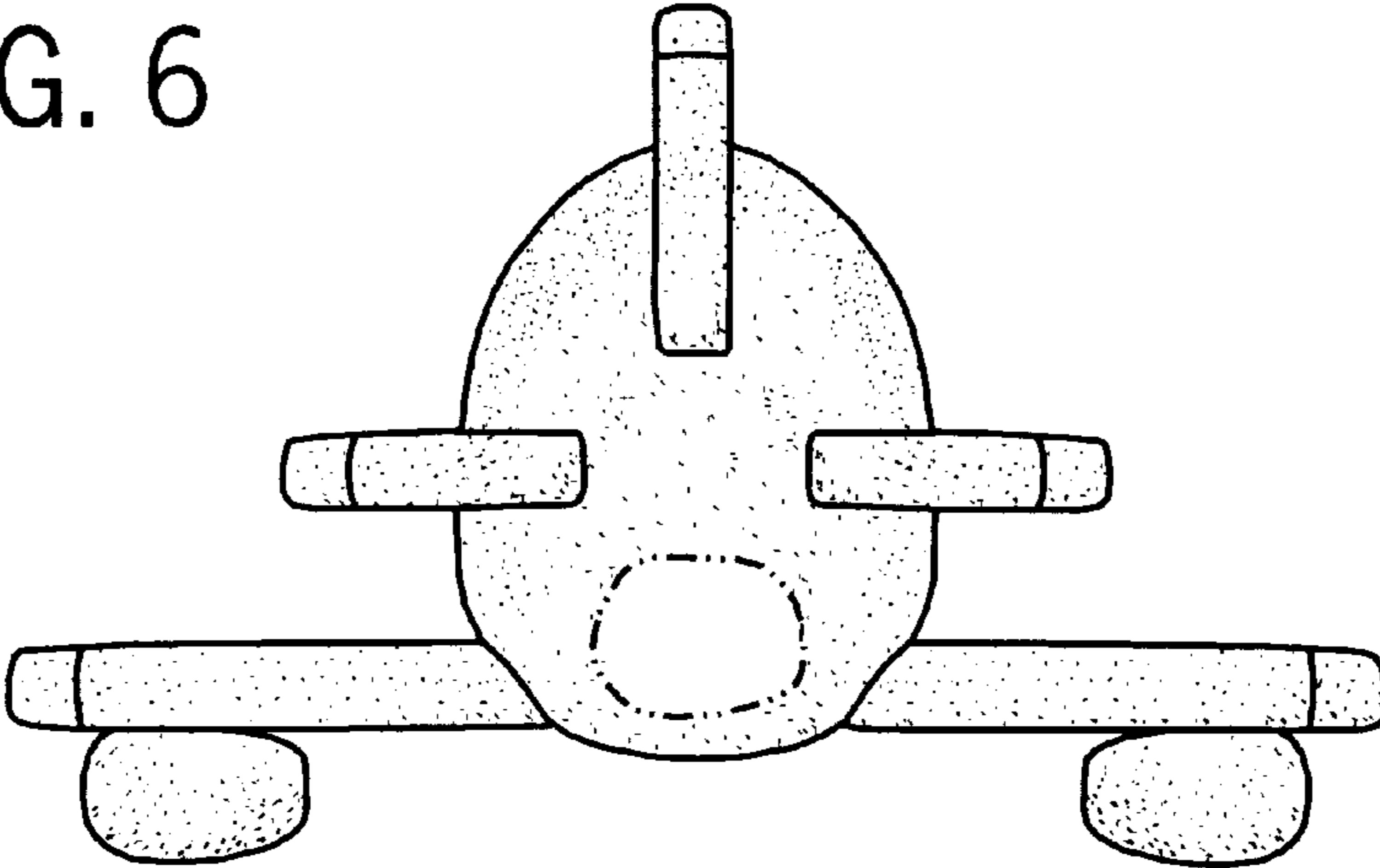


FIG. 5

FIG. 6



UNITED STATES PATENT AND TRADEMARK OFFICE
CERTIFICATE OF CORRECTION

PATENT NO. : Des. 516,150 S
DATED : February 28, 2006
INVENTOR(S) : McCabe

Page 1 of 1

It is certified that error appears in the above-identified patent and that said Letters Patent is hereby corrected as shown below:

Title page.

Item [74], *Attorney, Agent, or Firm*, "Justin L Ampel" should read -- Justin Lampel --.

Signed and Sealed this

Thirteenth Day of June, 2006

A handwritten signature in black ink on a light gray dotted background. The signature reads "Jon W. Dudas" in a cursive style.

JON W. DUDAS

Director of the United States Patent and Trademark Office