



US00D516148S

(12) **United States Design Patent**
Parr

(10) **Patent No.:** **US D516,148 S**

(45) **Date of Patent:** **** Feb. 28, 2006**

(54) **PUTTER HEAD**

(76) **Inventor:** **W. Donald Parr**, 3530 Travis St., #414,
Dallas, TX (US) 75204

(**) **Term:** **14 Years**

(21) **Appl. No.:** **29/227,442**

(22) **Filed:** **Apr. 12, 2005**

Related U.S. Application Data

(63) Continuation of application No. 10/625,294, filed on Jul. 22,
2003.

(51) **LOC (8) Cl.** **21-02**

(52) **U.S. Cl.** **D21/736**

(58) **Field of Classification Search** D21/736-746;
473/324-331, 340, 341, 251-256
See application file for complete search history.

(56) **References Cited**

U.S. PATENT DOCUMENTS

4,312,509 A	*	1/1982	Grant	473/313
D301,907 S	*	6/1989	Muta	D21/750
D306,629 S	*	3/1990	Shearer	D21/743
4,984,799 A	*	1/1991	Finney	473/341

4,995,612 A	*	2/1991	Finney	473/341
D329,481 S	*	9/1992	Hunt	D21/750
D348,297 S	*	6/1994	Schiavo et al.	D21/736
5,383,664 A	*	1/1995	Epperson	473/340
5,458,335 A	*	10/1995	Hattori	473/325
5,584,769 A	*	12/1996	Sundin	473/325
D502,973 S	*	3/2005	Gillig	D21/736

* cited by examiner

Primary Examiner—Mitchell Siegel

(74) *Attorney, Agent, or Firm*—Baker Botts L.L.P.

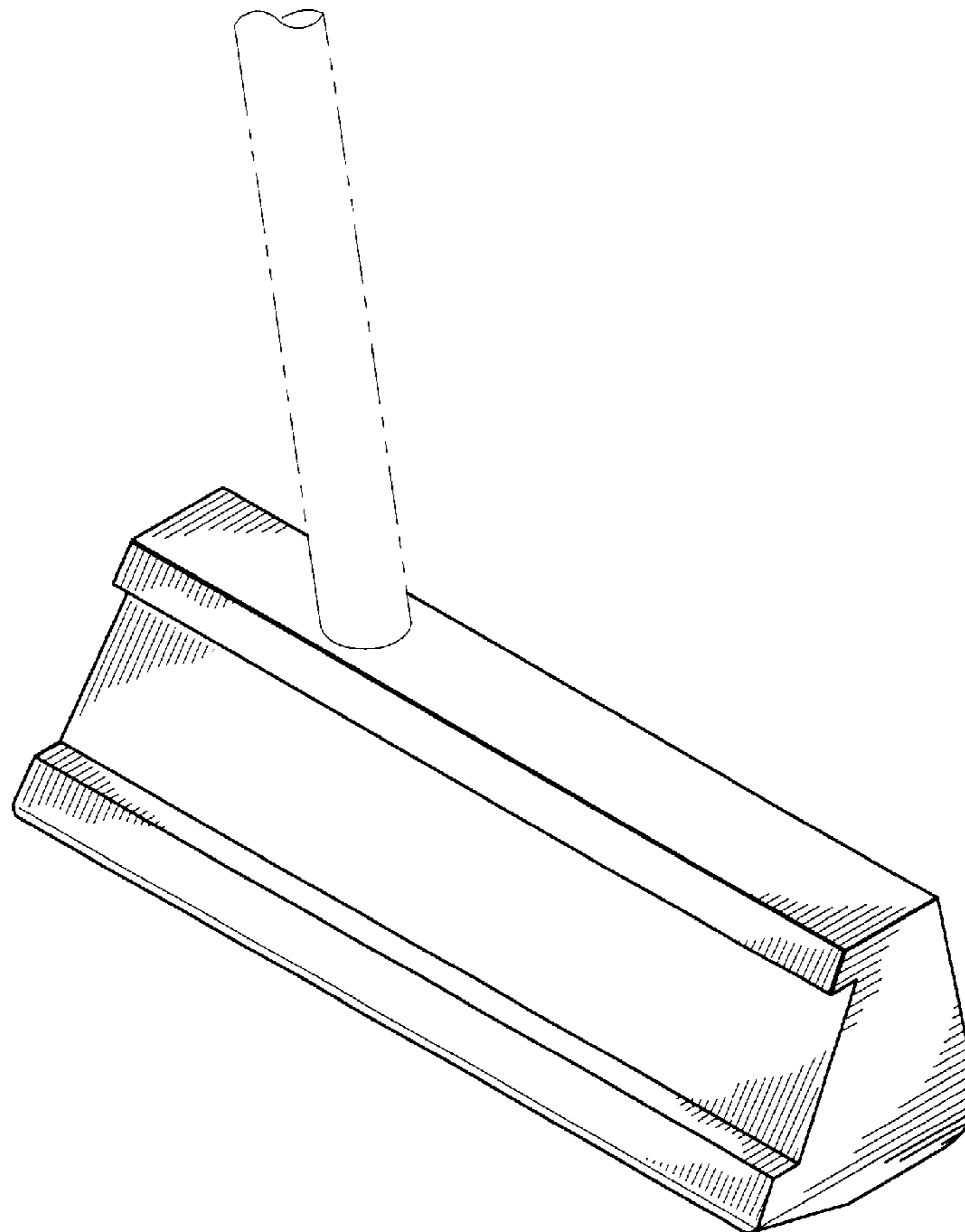
(57) **CLAIM**

The ornamental design for a putter head, as shown and described.

DESCRIPTION

FIG. 1 is a rear perspective view of the ornamental design of a putter head showing my new design; FIG. 2 is a rear view of the putter head; FIG. 3 is a front view of the putter head; FIG. 4 is a heel end view of the putter head; FIG. 5 is a toe end view of the putter head; FIG. 6 is a top view of the putter head; and, FIG. 7 is a bottom view of the putter head.

1 Claim, 2 Drawing Sheets



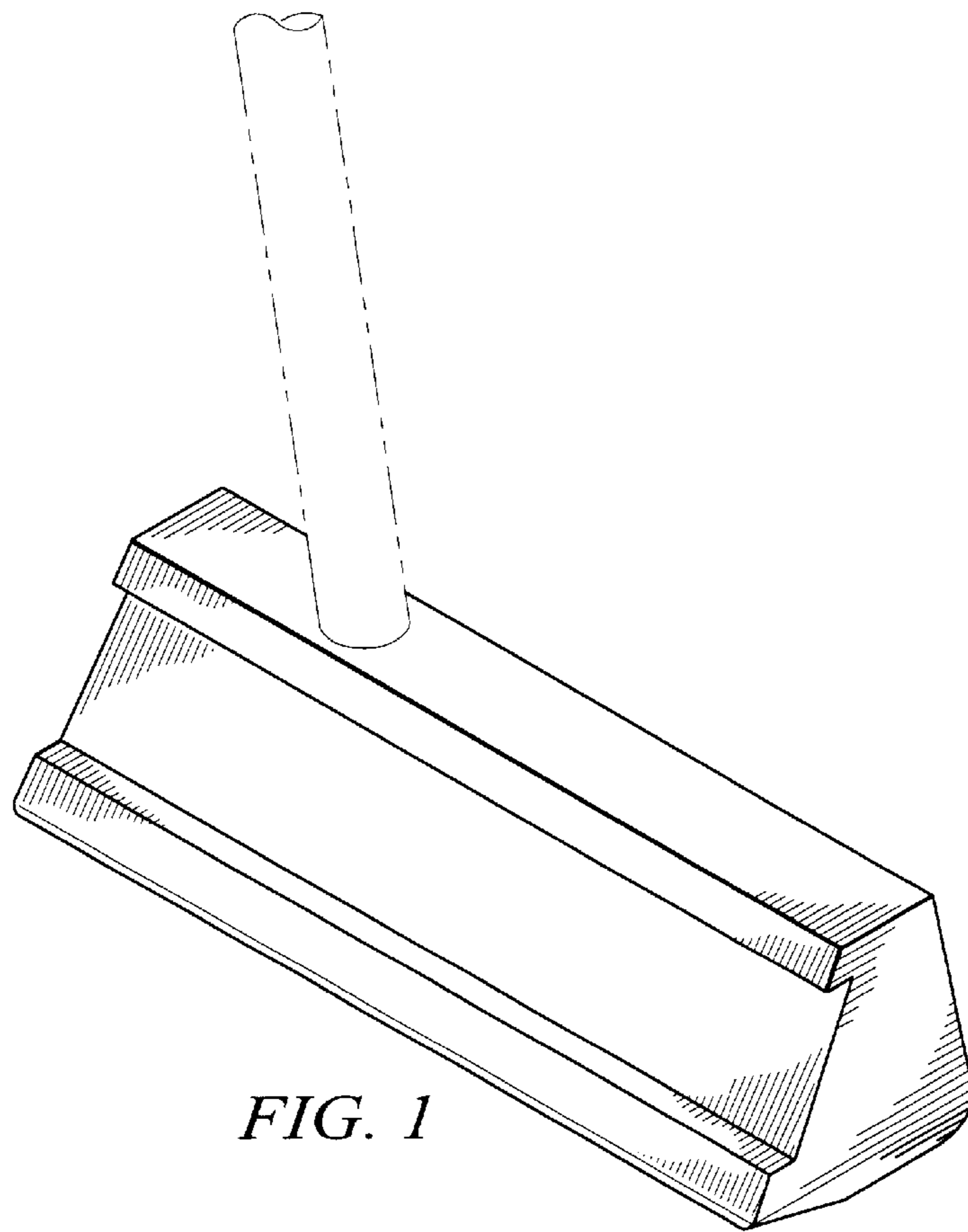


FIG. 1

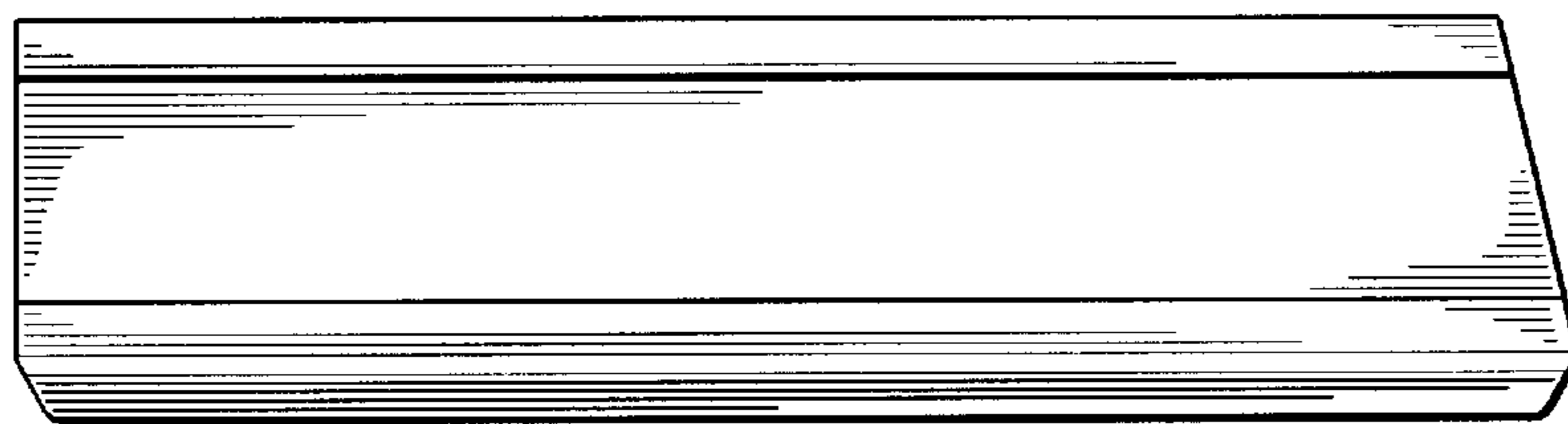


FIG. 2

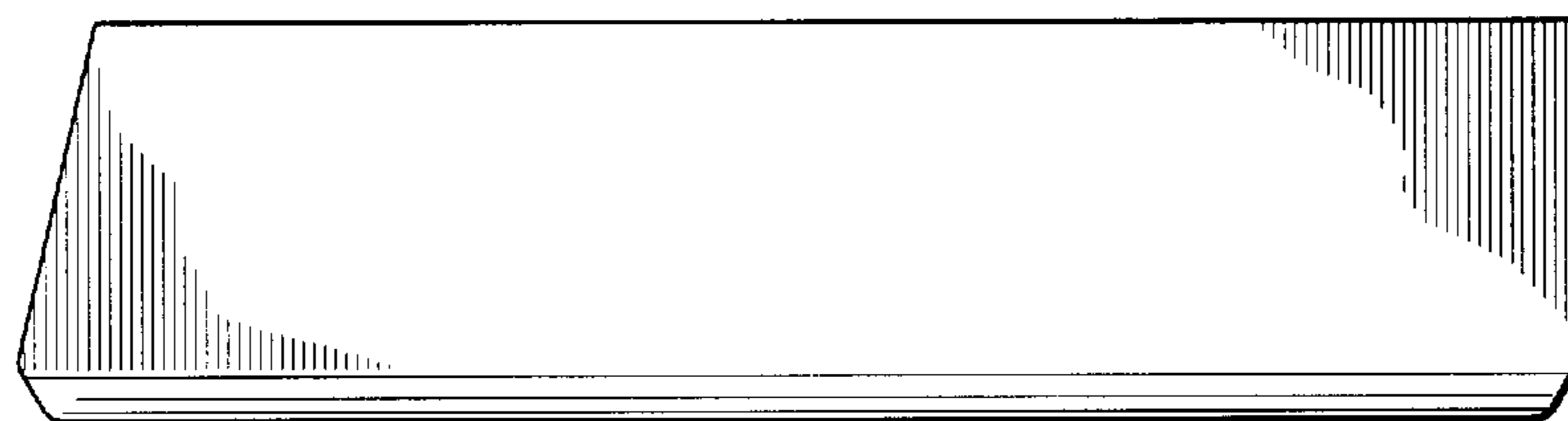


FIG. 3

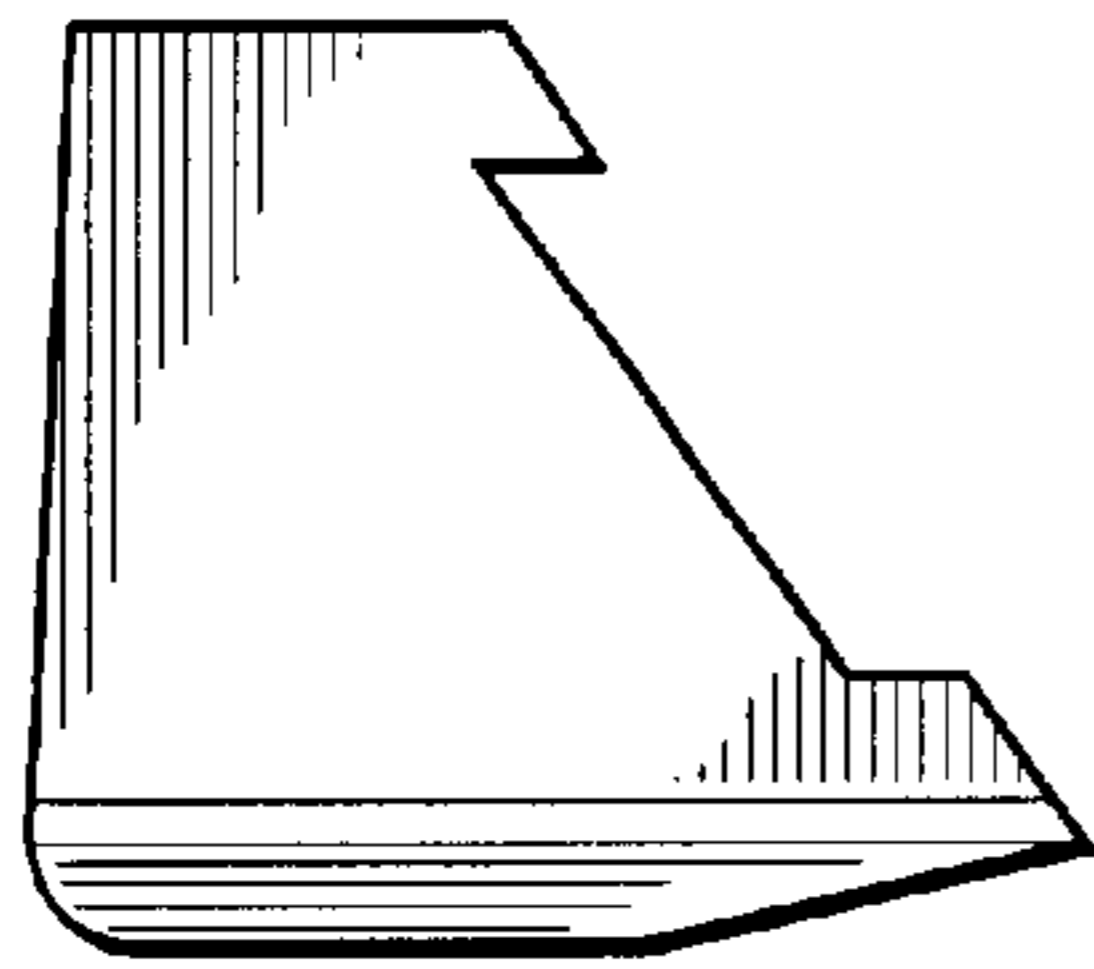


FIG. 4

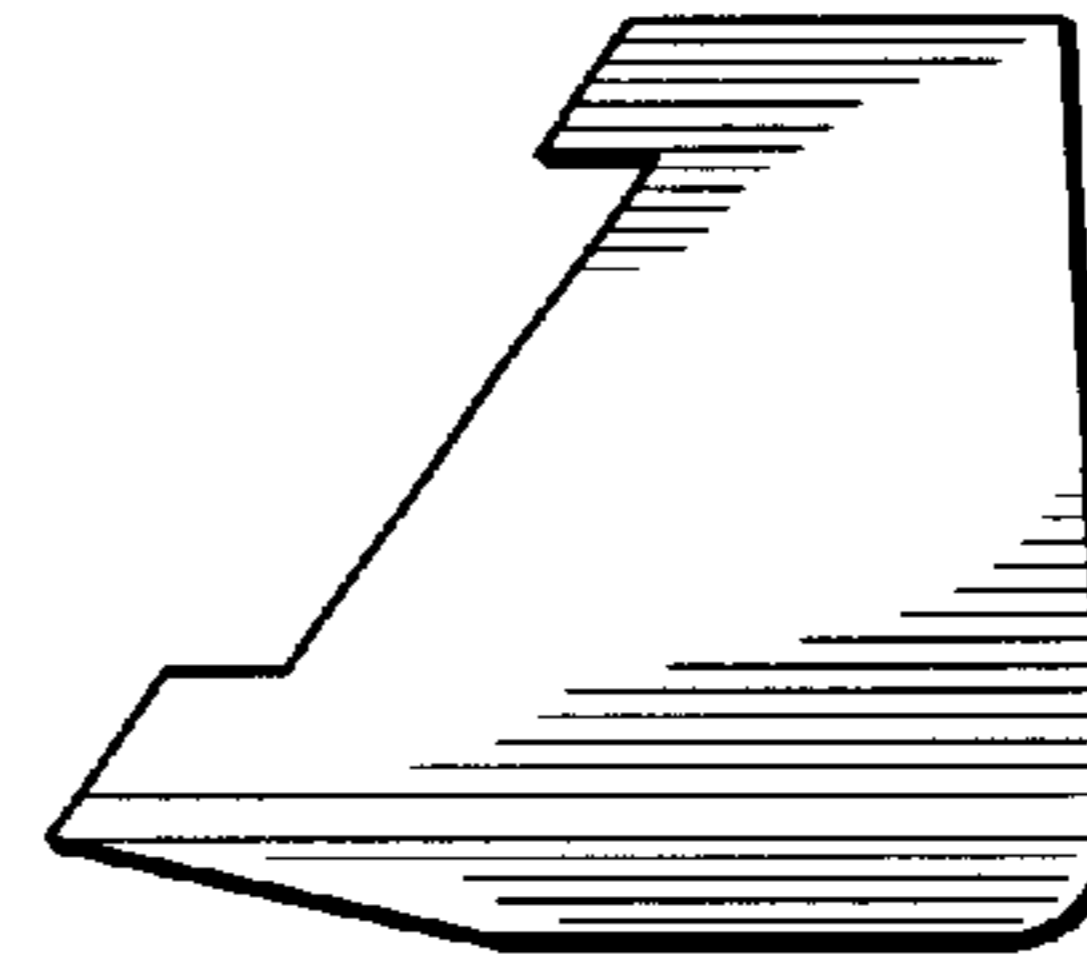


FIG. 5

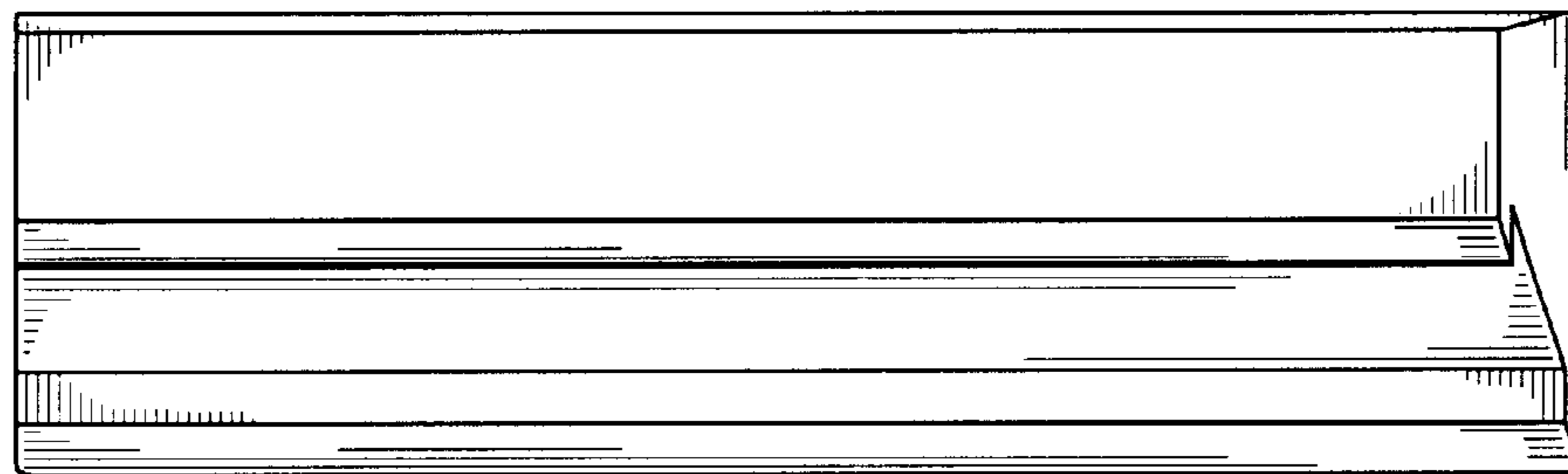


FIG. 6

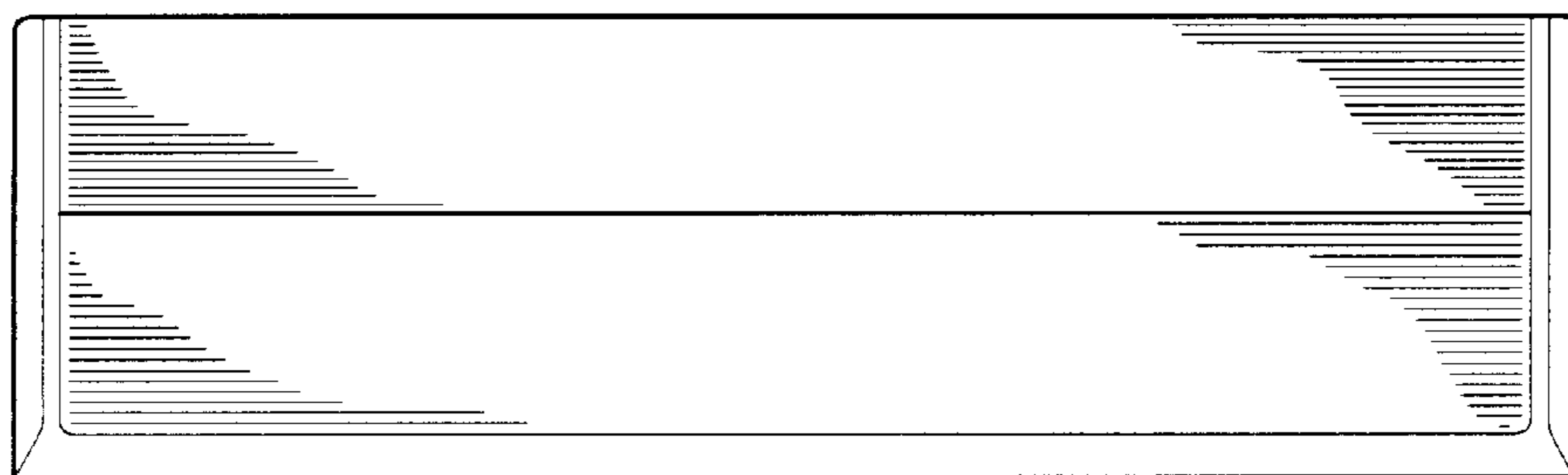


FIG. 7