



US00D516140S

(12) **United States Design Patent**
Panatta

(10) **Patent No.: US D516,140 S**

(45) **Date of Patent: ** Feb. 28, 2006**

(54) **BODY-BUILDING MACHINE**

D439,938 S * 4/2001 Batca et al. D21/662
D474,025 S * 5/2003 Powers D21/676

(76) Inventor: **Rodolfo Panatta**, Via Madonna della
Fonte, 2, 62021-Apiro (MC) (IT)

OTHER PUBLICATIONS

(**) Term: **14 Years**

Gopher Catalog, Fall 2003, pp. 230 and 240, Power Source
Selectorized Machines.*

(21) Appl. No.: **29/198,037**

* cited by examiner

(22) Filed: **Jan. 23, 2004**

Primary Examiner—Philip S. Hyder

(51) **LOC (8) Cl. 21-02**

(74) *Attorney, Agent, or Firm*—Armstrong, Kratz, Quintos,
Hanson & Brooks, LLP

(52) **U.S. Cl. D21/676**

(58) **Field of Classification Search** D21/662,
D21/673, 674, 675, 676; 482/93, 94, 95,
482/97, 98, 99, 100, 101, 133, 134, 135,
482/137, 138

(57) **CLAIM**

I claim the ornamental design for a body-building machine,
as shown and described.

See application file for complete search history.

DESCRIPTION

(56) **References Cited**

FIG. 1 is a front elevational view thereof.

FIG. 2 is a right side elevational view thereof.

FIG. 3 is a left side elevational view thereof.

FIG. 4 is a top plan elevational view thereof.

FIG. 5 is a bottom plan elevational view thereof.

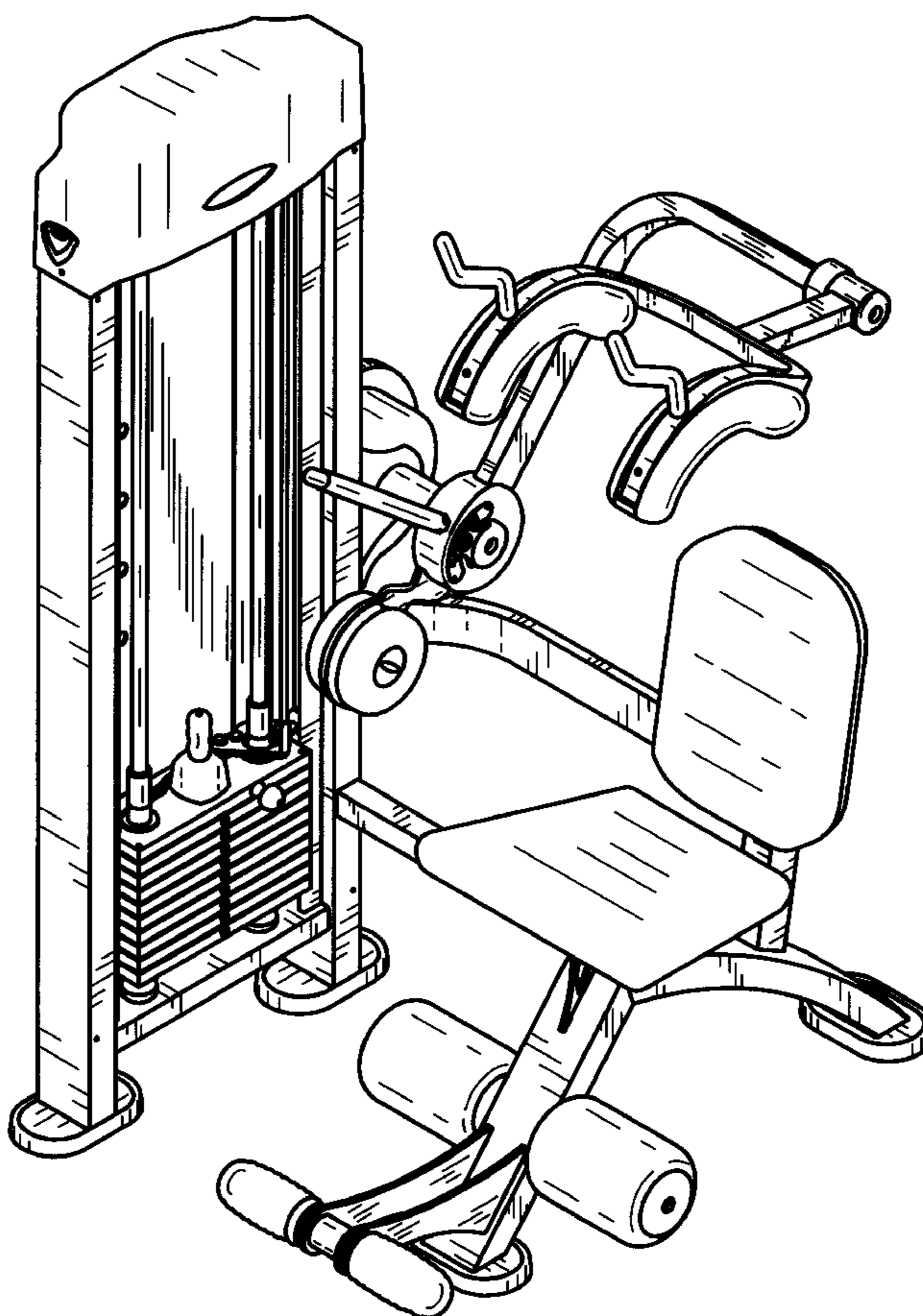
FIG. 6 is a rear elevational view thereof; and,

FIG. 7 is a right perspective view of a body-building
machine.

U.S. PATENT DOCUMENTS

D239,641 S	*	4/1976	Clarke	D21/675
4,387,893 A	*	6/1983	Baldwin	482/100
4,456,245 A	*	6/1984	Baldwin	482/100
D289,783 S	*	5/1987	Pappinen	D21/675
4,733,860 A	*	3/1988	Steffe	482/136
4,834,396 A	*	5/1989	Schnell	482/97
5,056,779 A	*	10/1991	Webb	482/137
5,104,121 A	*	4/1992	Webb	482/137

1 Claim, 7 Drawing Sheets



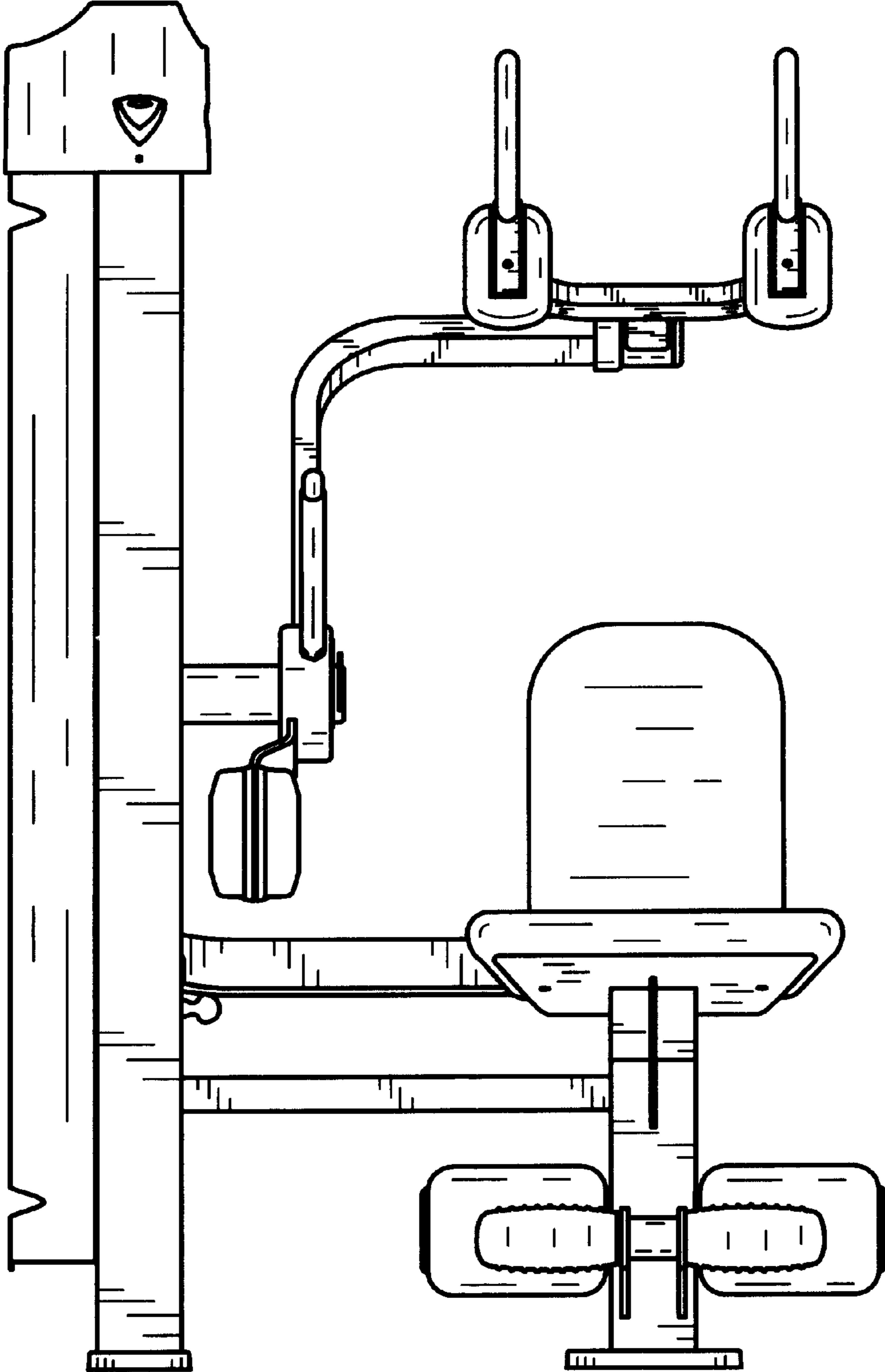


FIG. 1

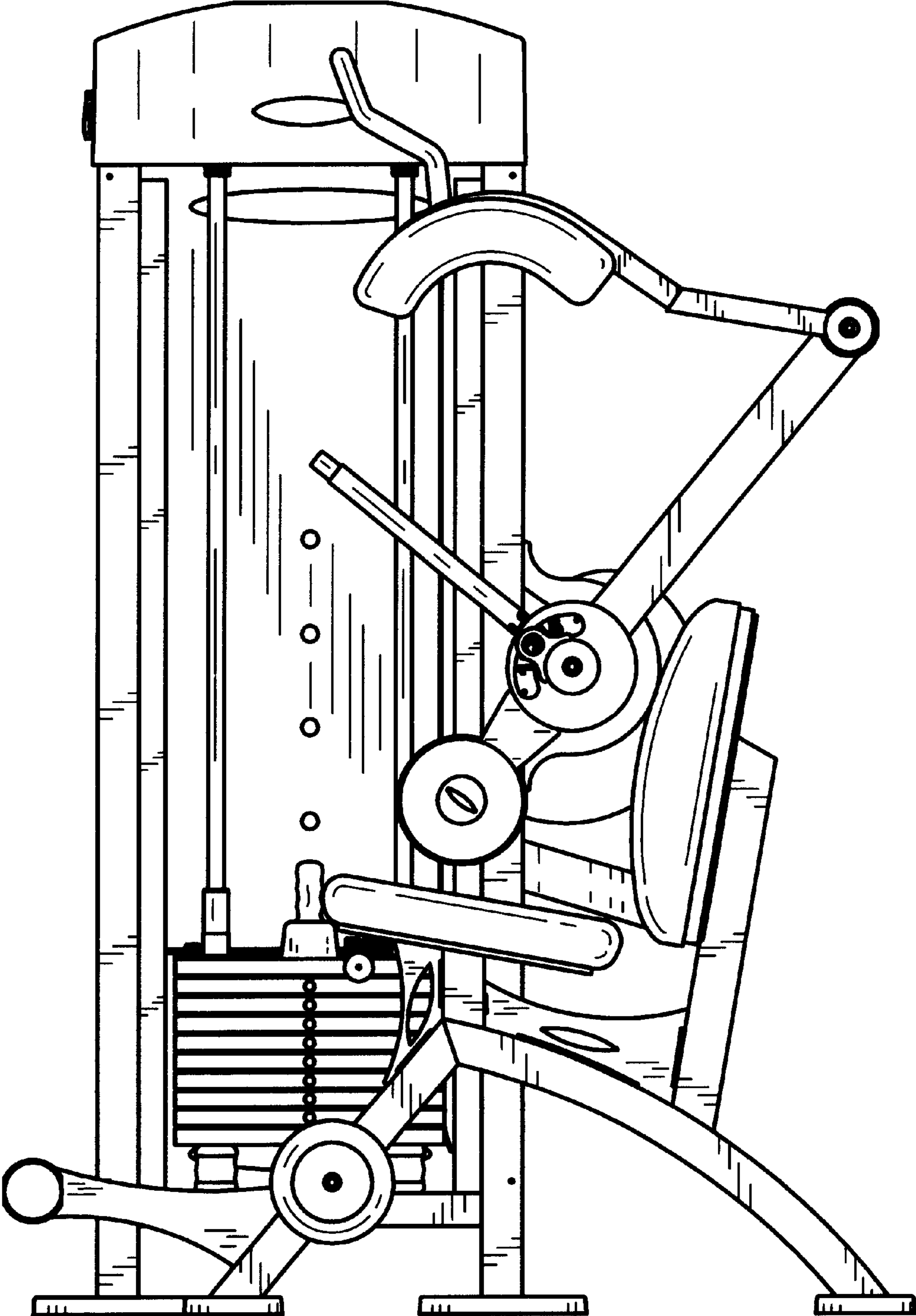


FIG. 2

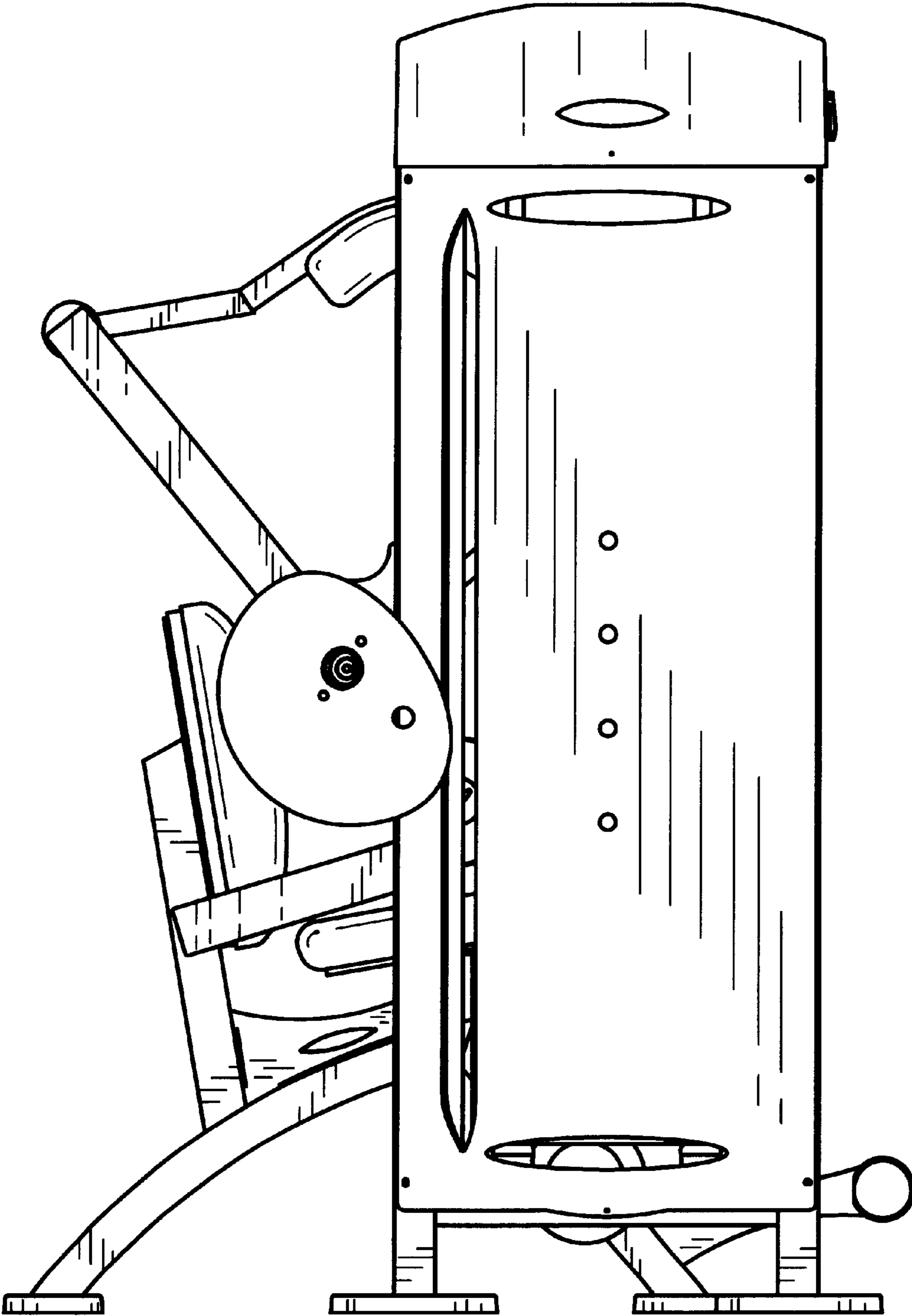


FIG. 3

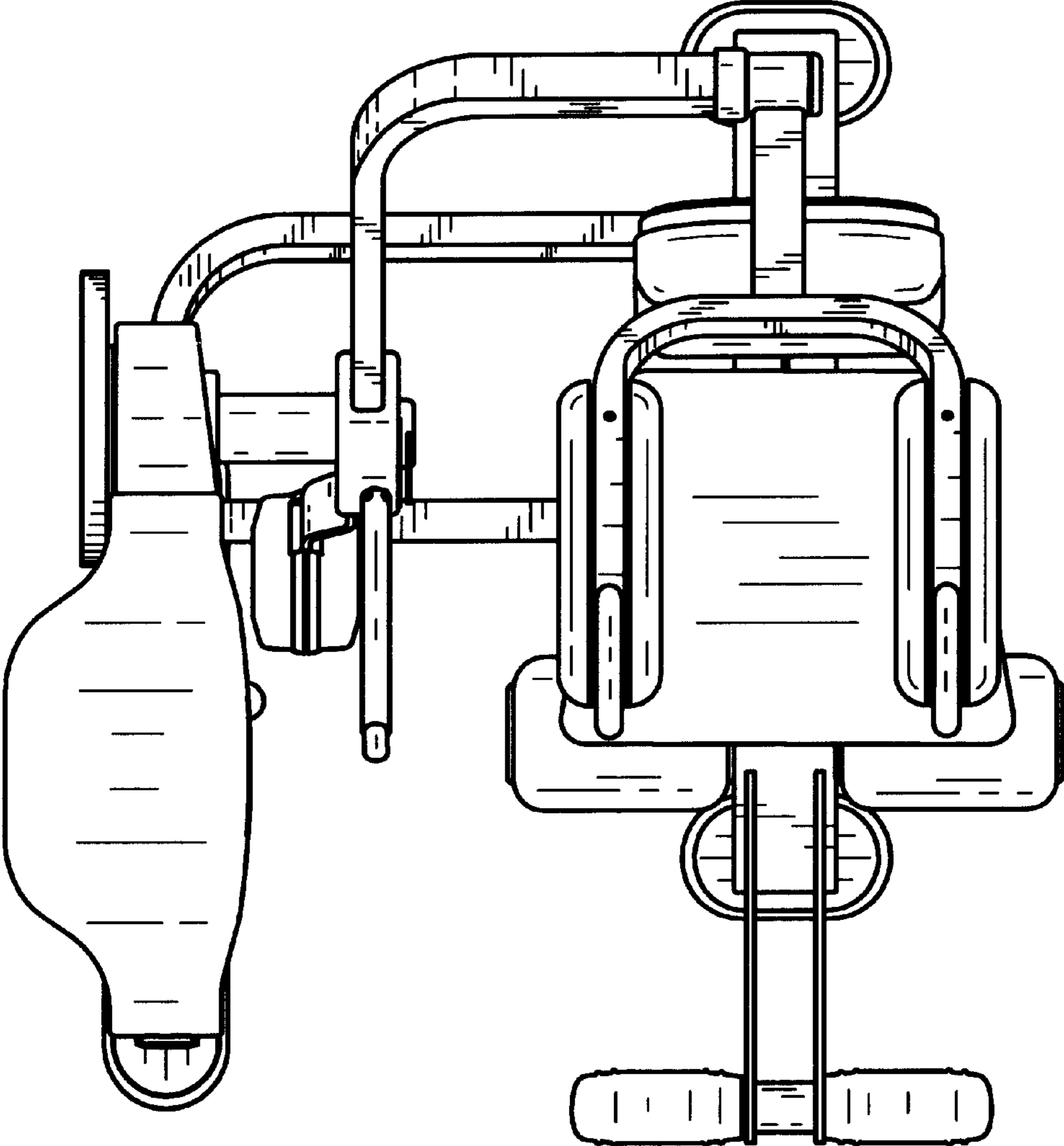


FIG. 4

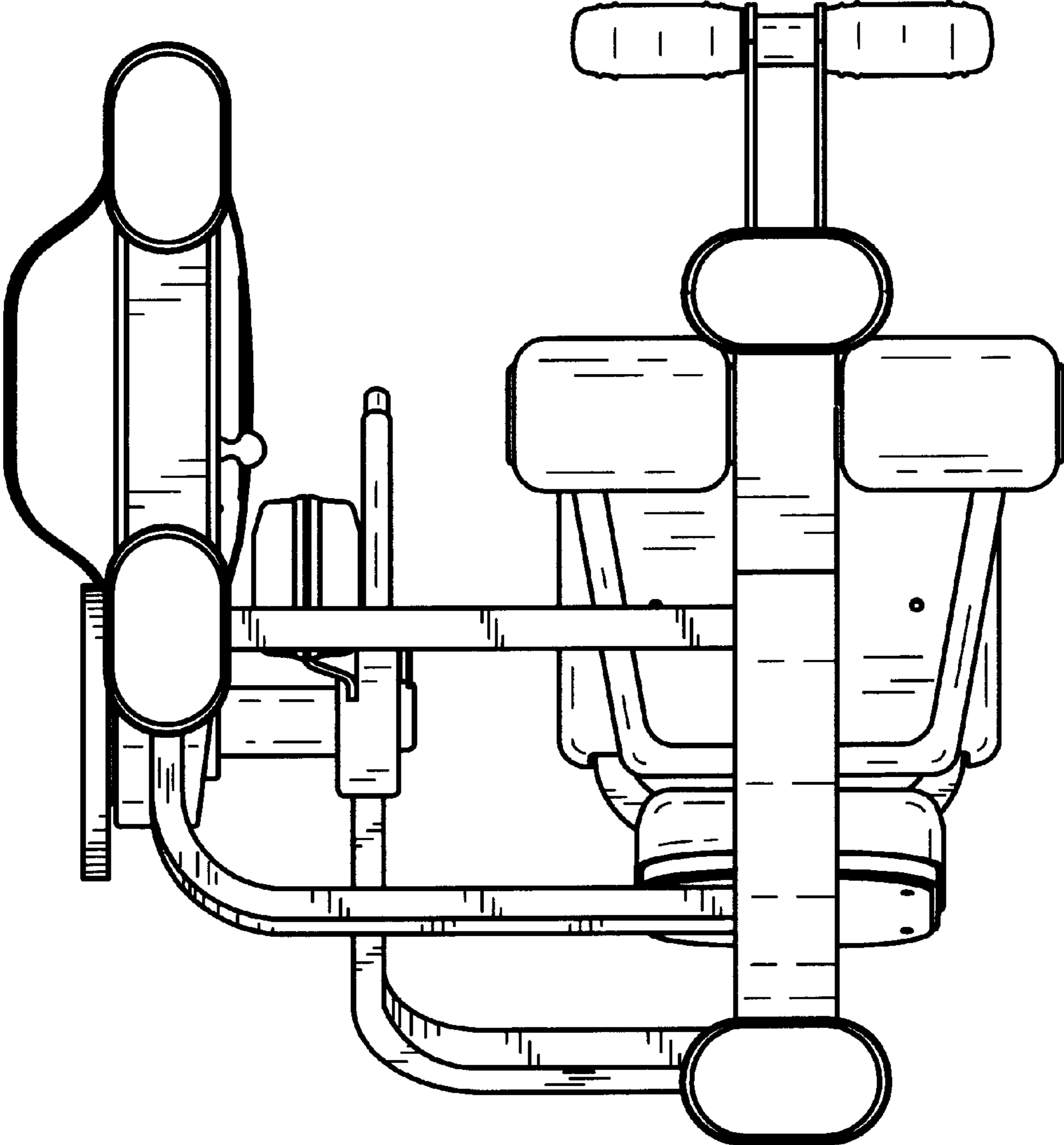


FIG. 5

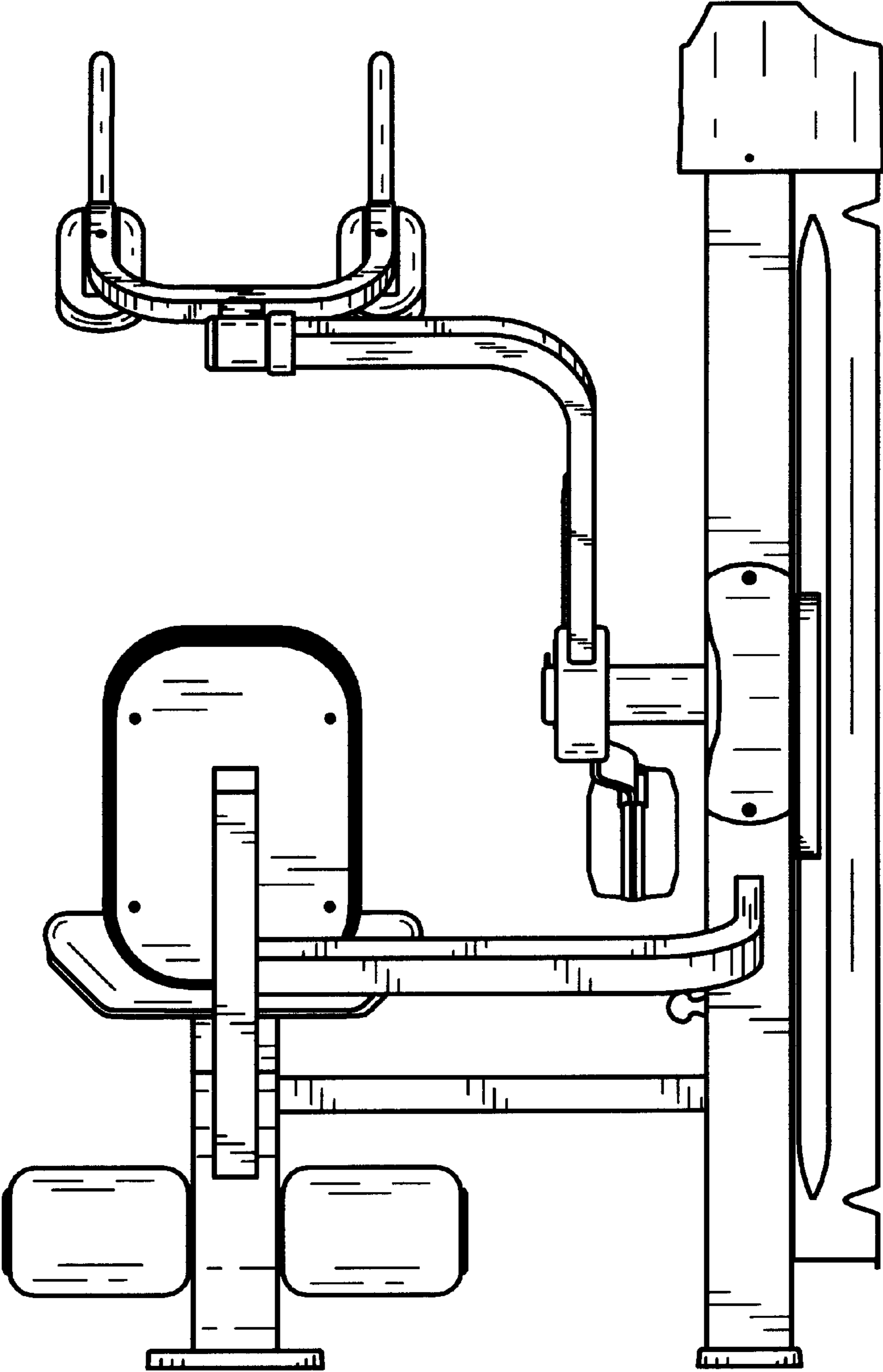


FIG. 6

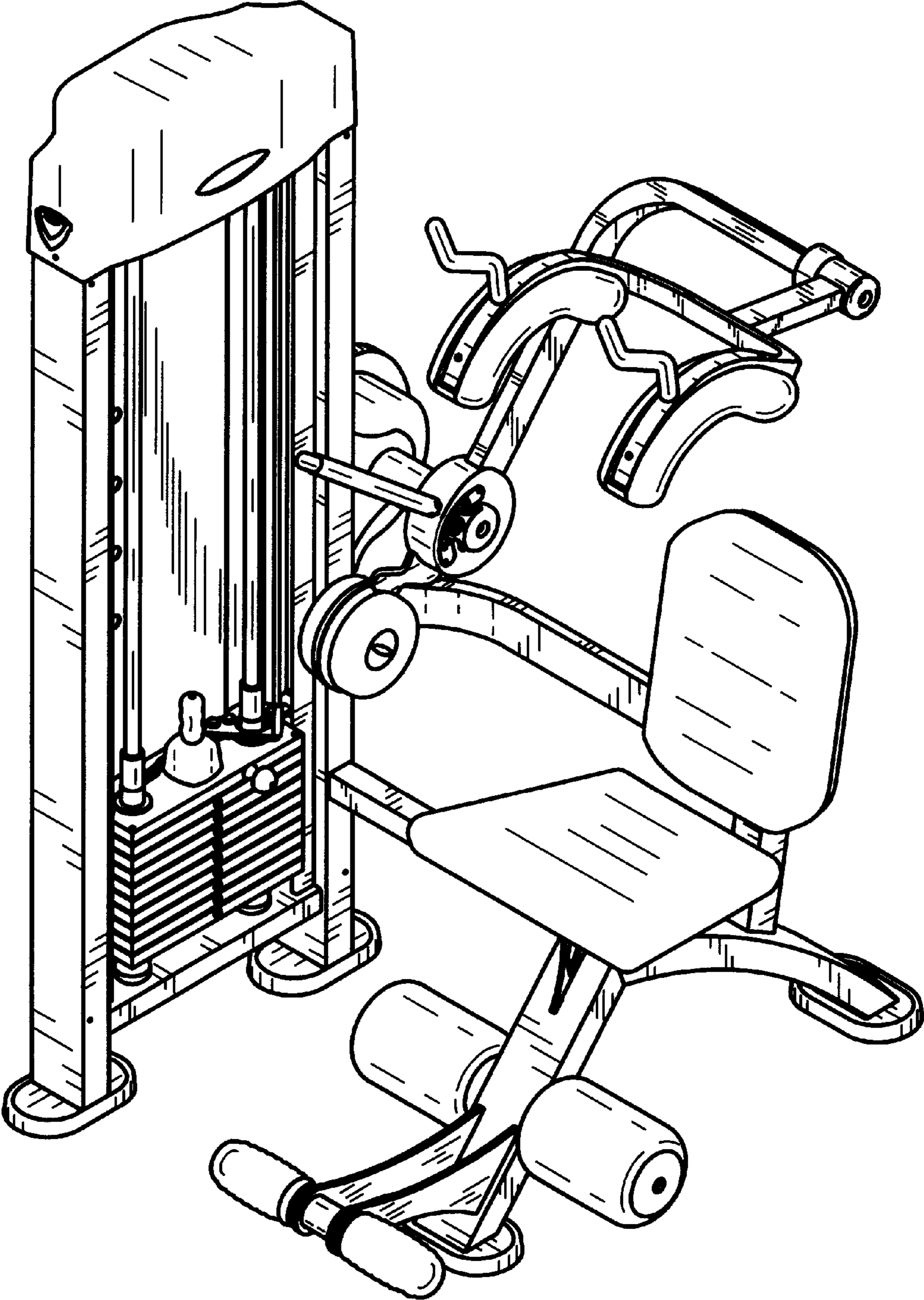


FIG. 7