



US00D516135S

(12) **United States Design Patent**
Kim

(10) **Patent No.:** **US D516,135 S**

(45) **Date of Patent:** **** Feb. 28, 2006**

(54) **ASSEMBLY BLOCK**

(75) **Inventor:** **Kwan-Young Kim**, Ga-301, Youngnam Art Town, 680-5 Hakik-dong, Nam-gu, Incheon 402-040 (KR)

(73) **Assignees:** **Kwan-Young Kim**, Incheon (KR); **Sun-Woo Chun**, Incheon (KR)

(**) **Term:** **14 Years**

(21) **Appl. No.:** **29/220,312**

(22) **Filed:** **Dec. 29, 2004**

(51) **LOC (8) Cl.** **21-01**

(52) **U.S. Cl.** **D21/503**

(58) **Field of Classification Search** D21/484-505; D25/113-118; 446/85, 104, 124-125, 119, 446/109, 120-121, 128, 93, 97, 102, 103, 446/95, 376; 248/276.1

See application file for complete search history.

(56) **References Cited**

U.S. PATENT DOCUMENTS

2,609,638	A	*	9/1952	Lindenmeyer	446/124
D233,680	S	*	11/1974	Christiansen	D21/488
4,690,656	A	*	9/1987	Friedman et al.	446/95
5,172,534	A	*	12/1992	Milner et al.	446/128
5,304,086	A	*	4/1994	Bolli et al.	446/104
5,733,168	A	*	3/1998	Poulsen et al.	446/120
5,752,869	A	*	5/1998	Huff	446/104
D415,217	S	*	10/1999	Rudy	D21/503
6,030,270	A	*	2/2000	Krog	446/102
6,325,694	B1	*	12/2001	Clever et al.	446/104

6,494,763	B1	*	12/2002	Hastey	446/376
6,619,146	B1	*	9/2003	Kerrebrock	446/376
6,669,155	B1	*	12/2003	Ron	248/276.1

OTHER PUBLICATIONS

Lego Catalog, p. 43, 1997.*

Lego Catalog, 1990.*

* cited by examiner

Primary Examiner—Raphael Barkai

(74) *Attorney, Agent, or Firm*—Jordan and Hamburg LLP

(57) **CLAIM**

The ornamental design for an assembly block, as shown and described.

DESCRIPTION

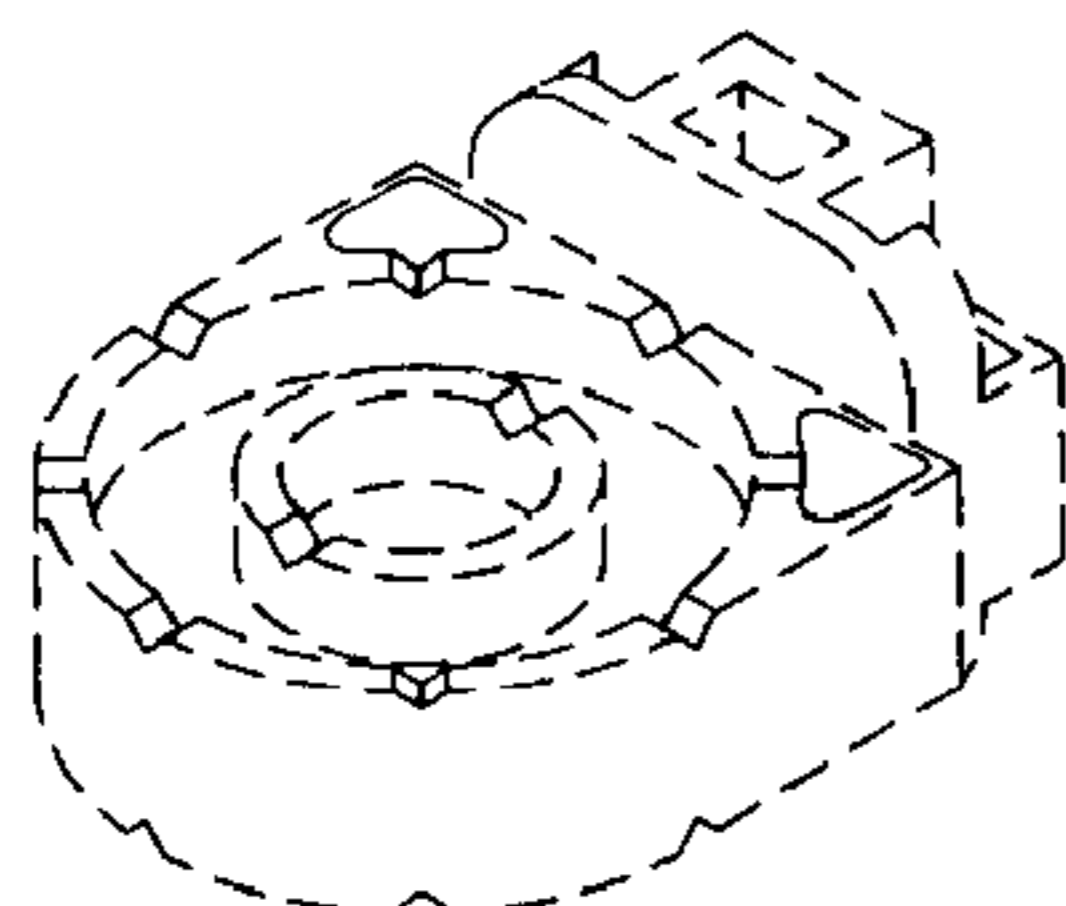
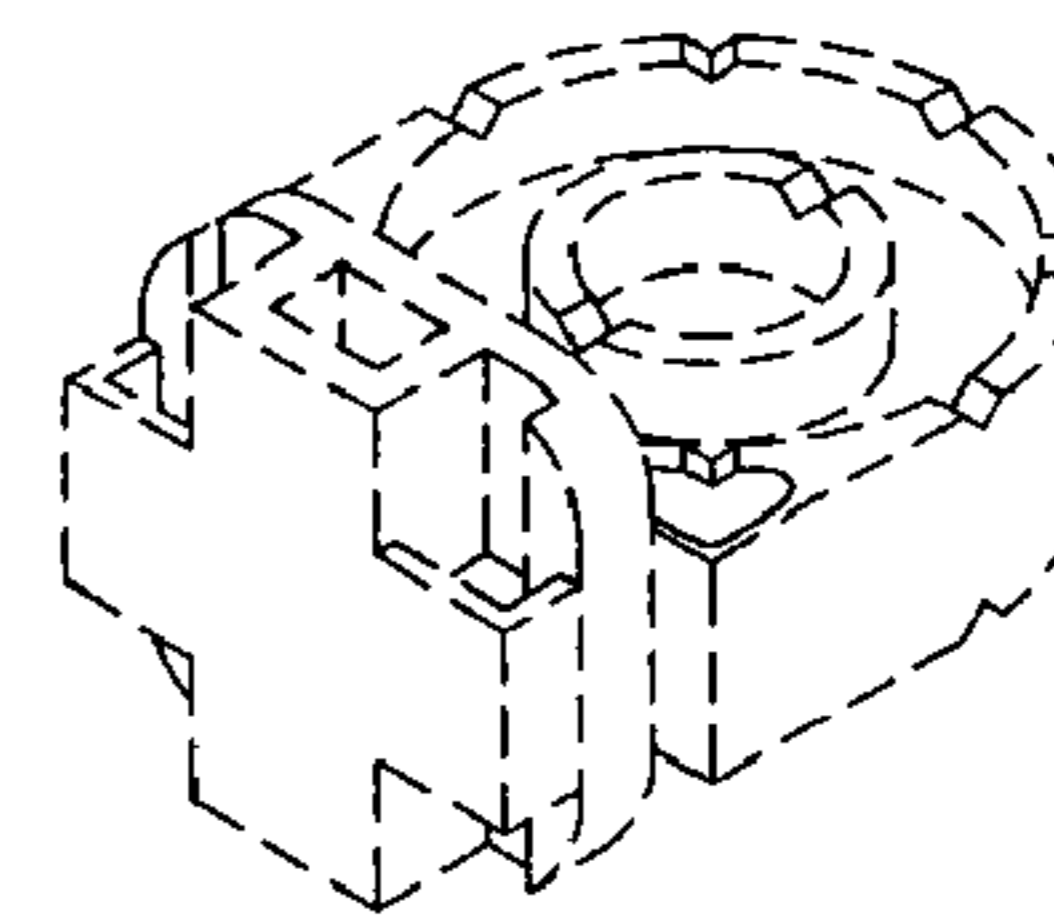
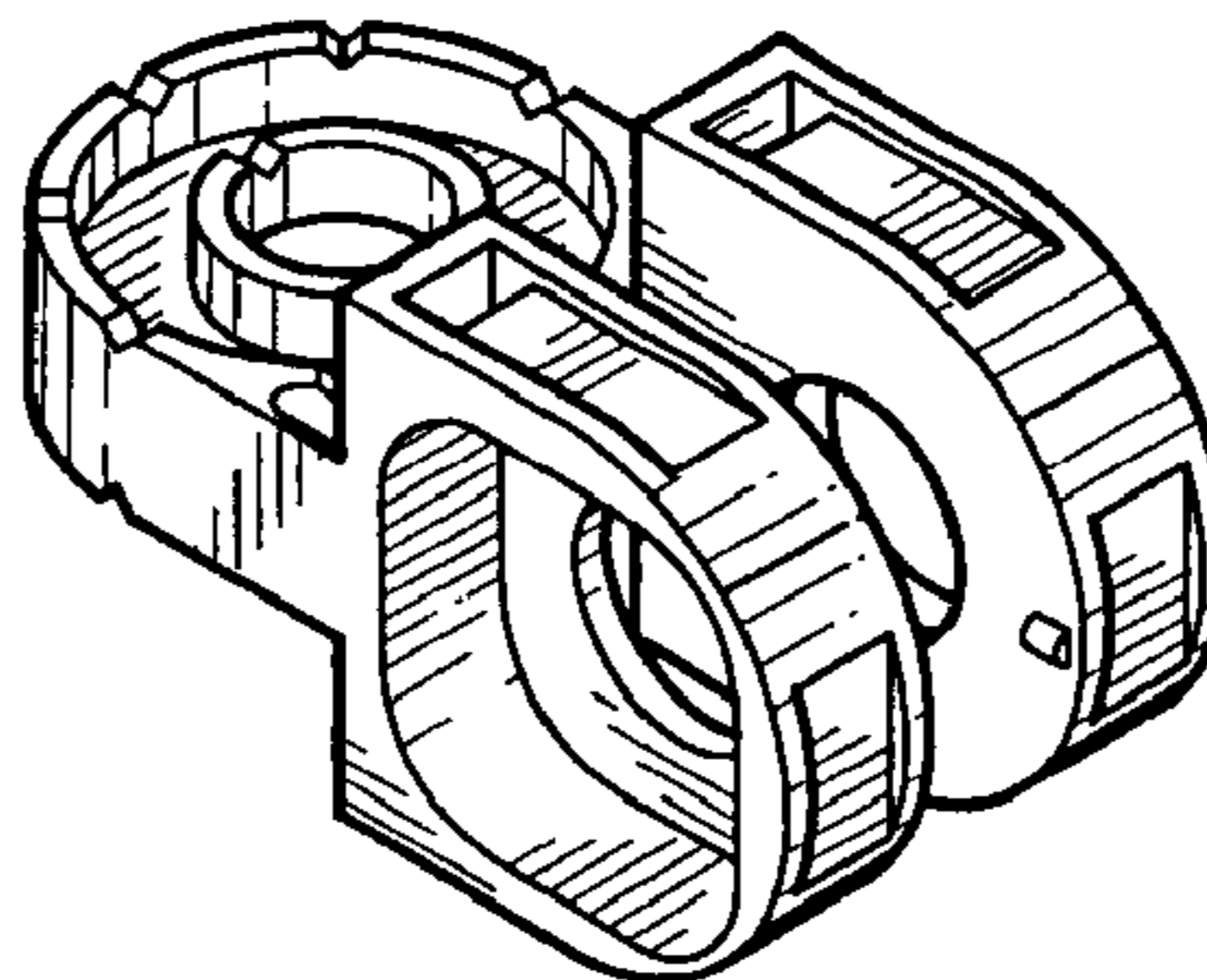
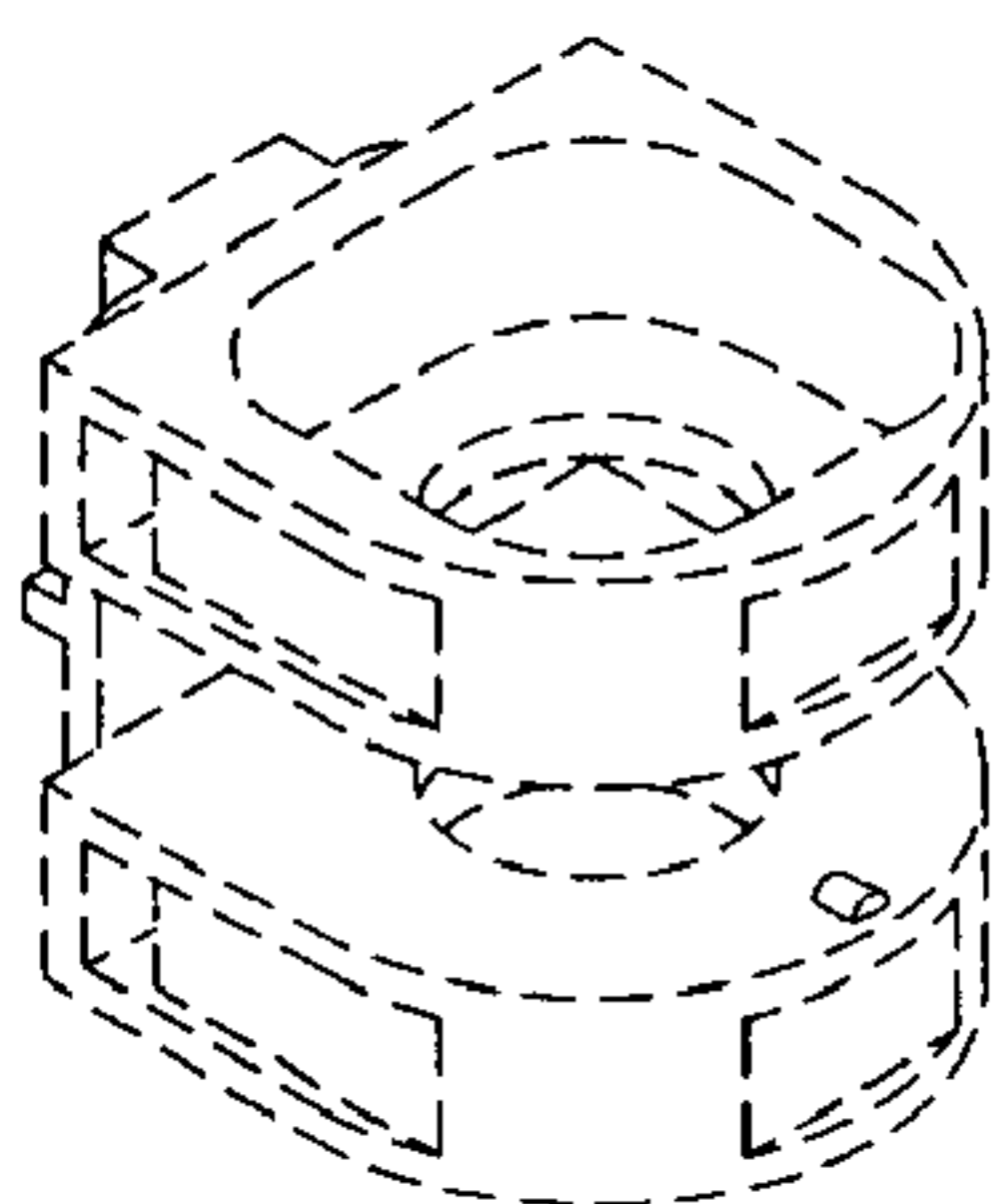
FIG. 1 is a front, left side and top perspective view of an assembly block showing my new design; FIG. 2 is a front elevational view thereof; FIG. 3 is a left side elevational view thereof; FIG. 4 is a right side elevational view thereof; FIG. 5 is a top plan view thereof; and, FIG. 6 is a perspective view of the assembly block illustrating an environmental assembly use thereof.

The broken line depictions of components, other than the assembly block, are illustrative of environmental structure used in conjunction with the embodiment and form no part of the claimed design.

A rear elevational view is a mirror image of the front elevational view.

A bottom plan view is identical to the top plan.

1 Claim, 2 Drawing Sheets



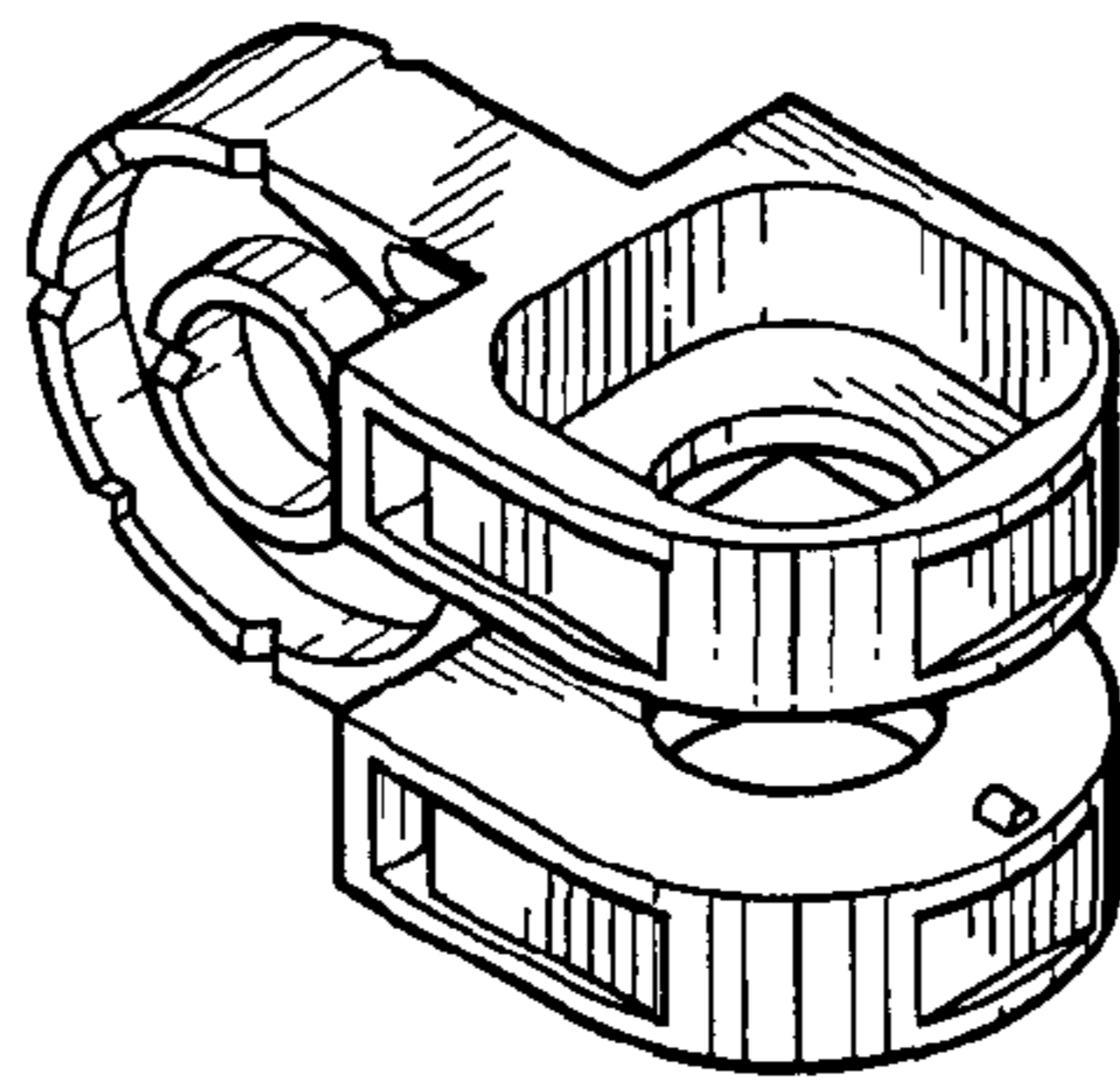


FIG. 1

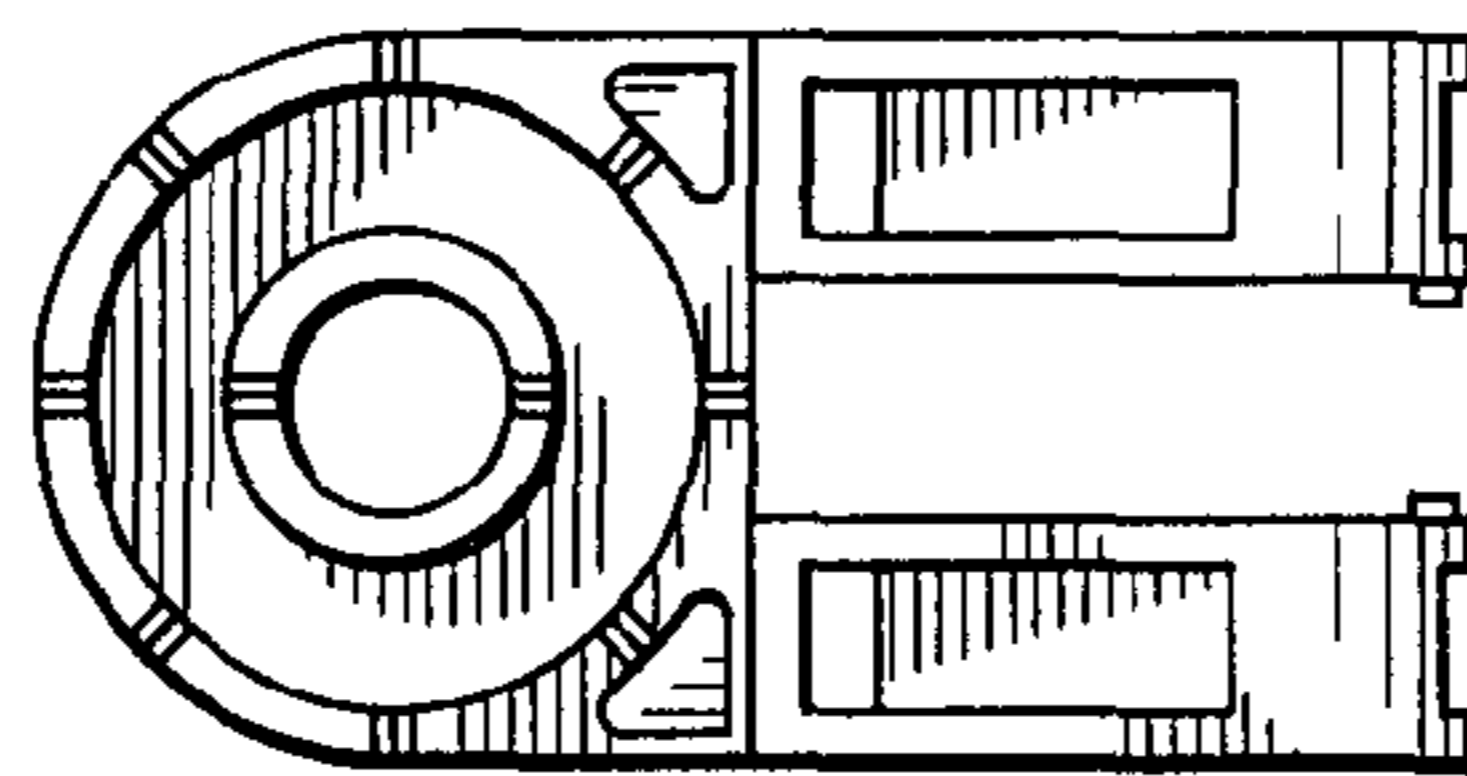


FIG. 2

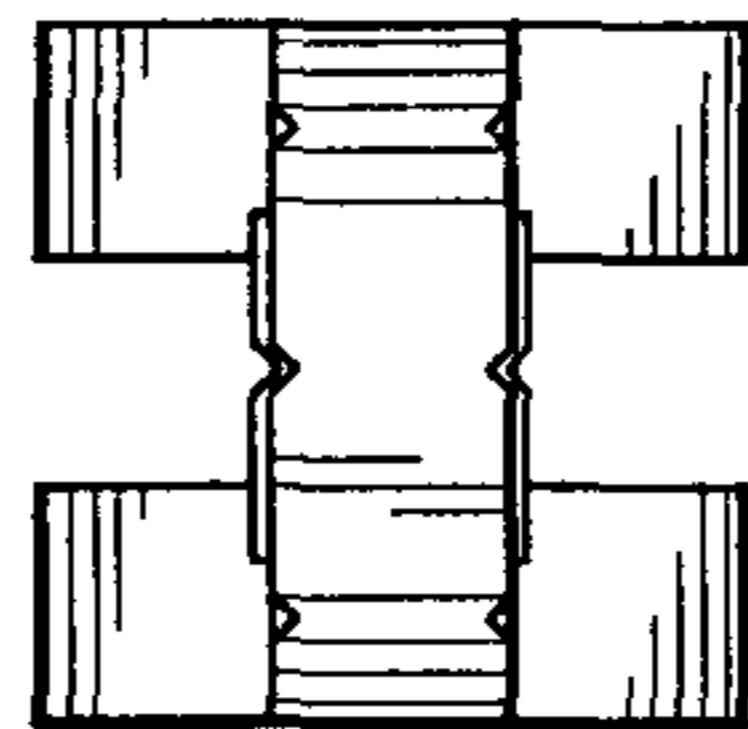


FIG. 3

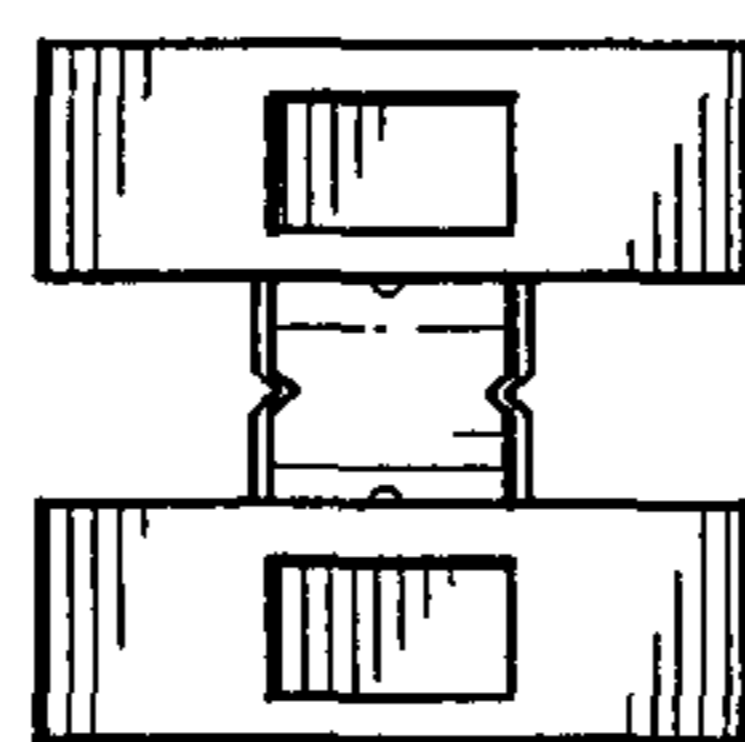


FIG. 4

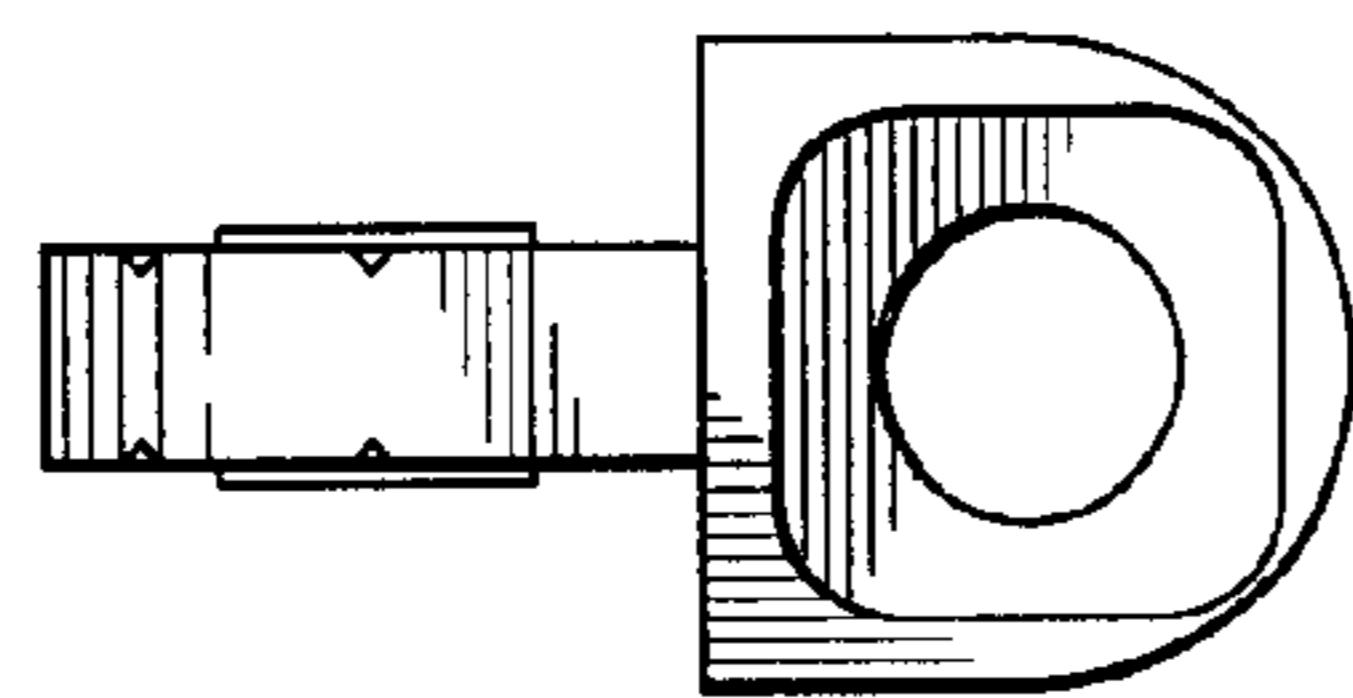


FIG. 5

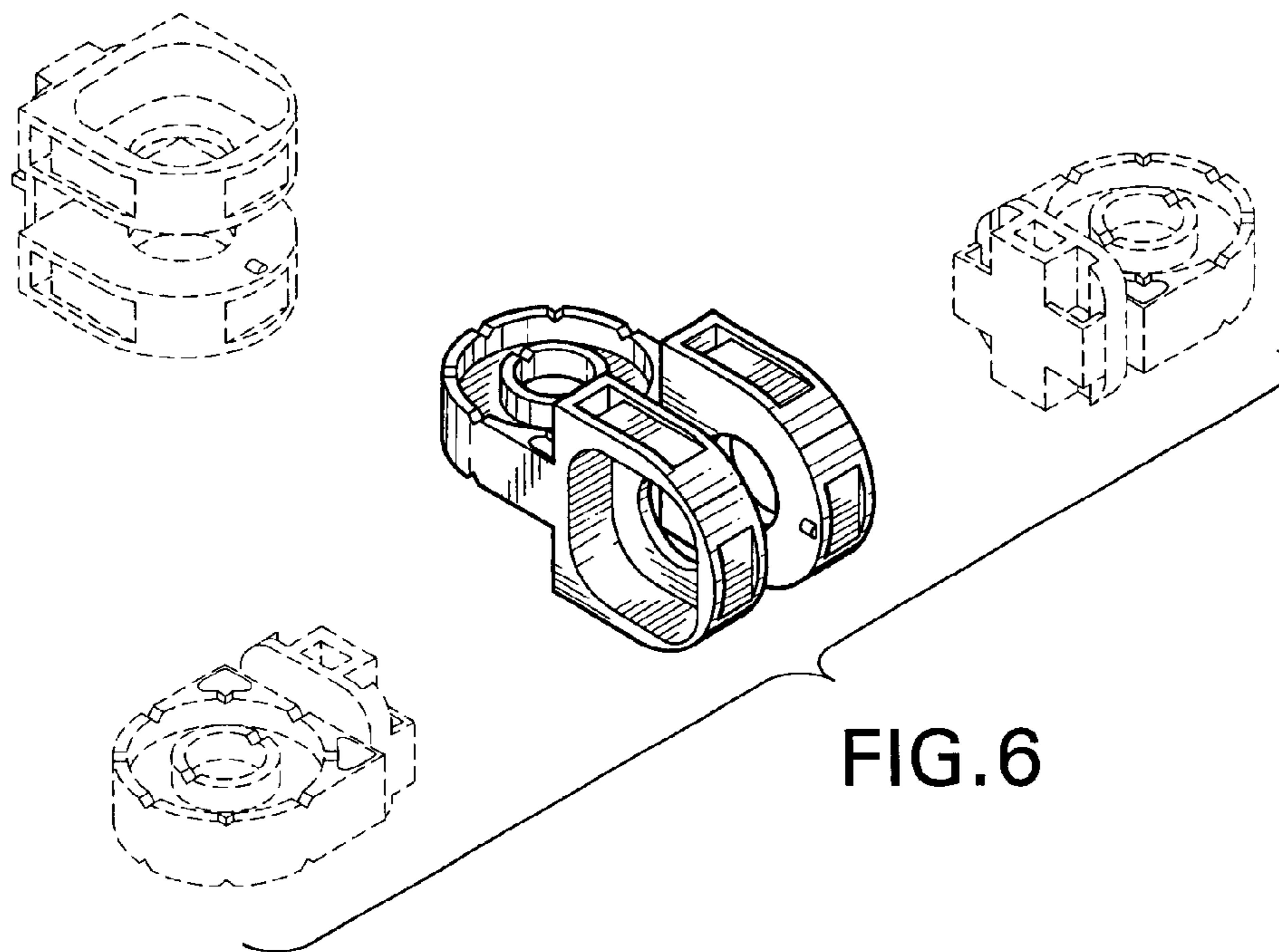


FIG. 6