



US00D516130S

(12) **United States Design Patent**  
**Mathe**

(10) **Patent No.:** **US D516,130 S**  
(45) **Date of Patent:** **\*\* Feb. 28, 2006**

(54) **HEAD MEMBER FOR A CHESS PIECE**

D451,337 S \* 12/2001 Sum ..... D9/439  
6,460,853 B1 \* 10/2002 Knight ..... 273/260

(76) Inventor: **Gary W. Mathe**, 711 - C S. Scientific  
St., High Point, NC (US) 27260

\* cited by examiner

(\*\*) Term: **14 Years**

*Primary Examiner*—Sandra L. Morris

(21) Appl. No.: **29/211,254**

(57) **CLAIM**

(22) Filed: **Aug. 13, 2004**

The ornamental design for a head member for a chess piece,  
as shown and described.

(51) **LOC (8) Cl.** ..... **21-01**

**DESCRIPTION**

(52) **U.S. Cl.** ..... **D21/388**

(58) **Field of Classification Search** ..... D21/334–368,  
D21/385–389; D9/439; 273/236–289  
See application file for complete search history.

FIG. 1 is a front view of a head member for a chess piece  
showing my new design.

FIG. 2 is a back view of the head member for a chess piece.

FIG. 3 is a side view of the head member for a chess piece.

FIG. 4 is a top view of the head member for a chess piece;  
and,

FIG. 5 is a bottom view of the head member for a chess  
piece.

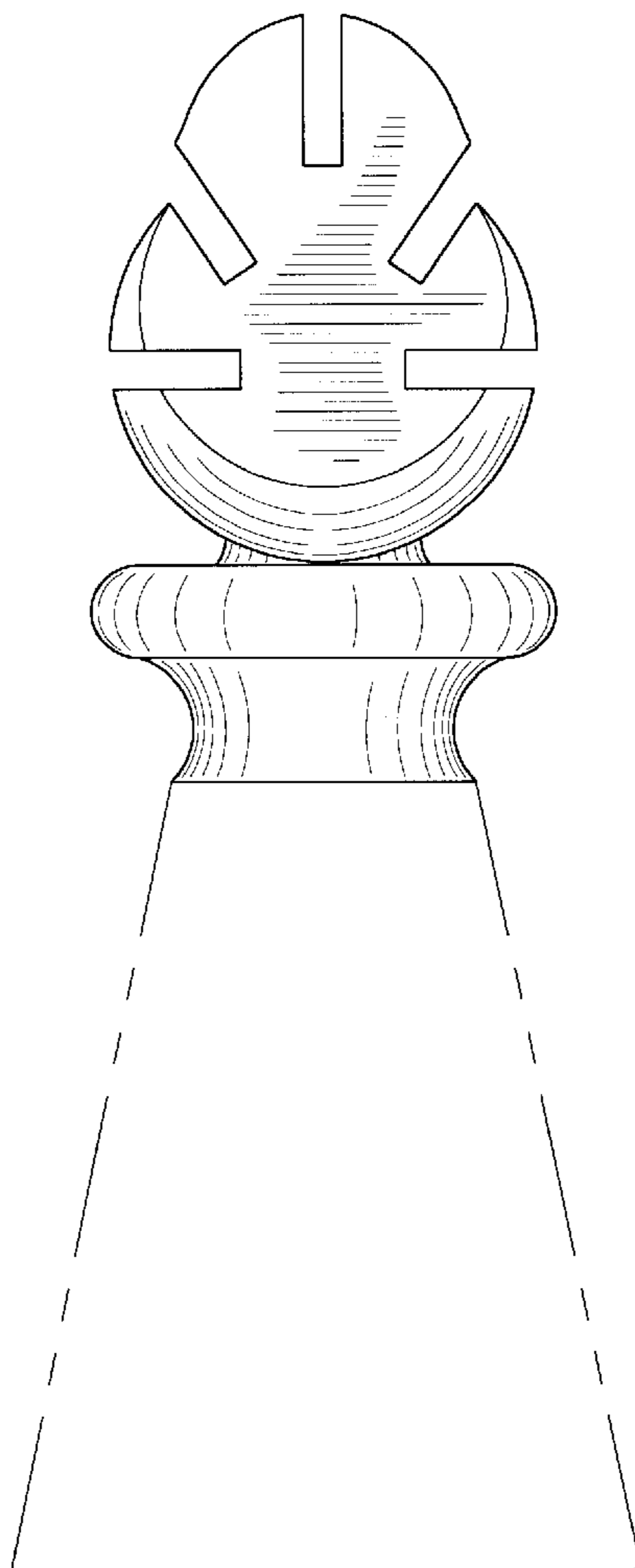
The broken line shown in FIG. 2 is for illustrative purposes  
only and forms no part of the claimed design.

(56) **References Cited**

**U.S. PATENT DOCUMENTS**

D134,812 S	*	1/1943	Drueke	.....	D21/389
D170,489 S	*	9/1953	Wright	.....	D21/389
4,299,389 A	*	11/1981	Miolo	.....	273/239
D356,345 S	*	3/1995	Escobar et al.	.....	D21/388
5,662,326 A	*	9/1997	Gebran	.....	273/239

**1 Claim, 2 Drawing Sheets**



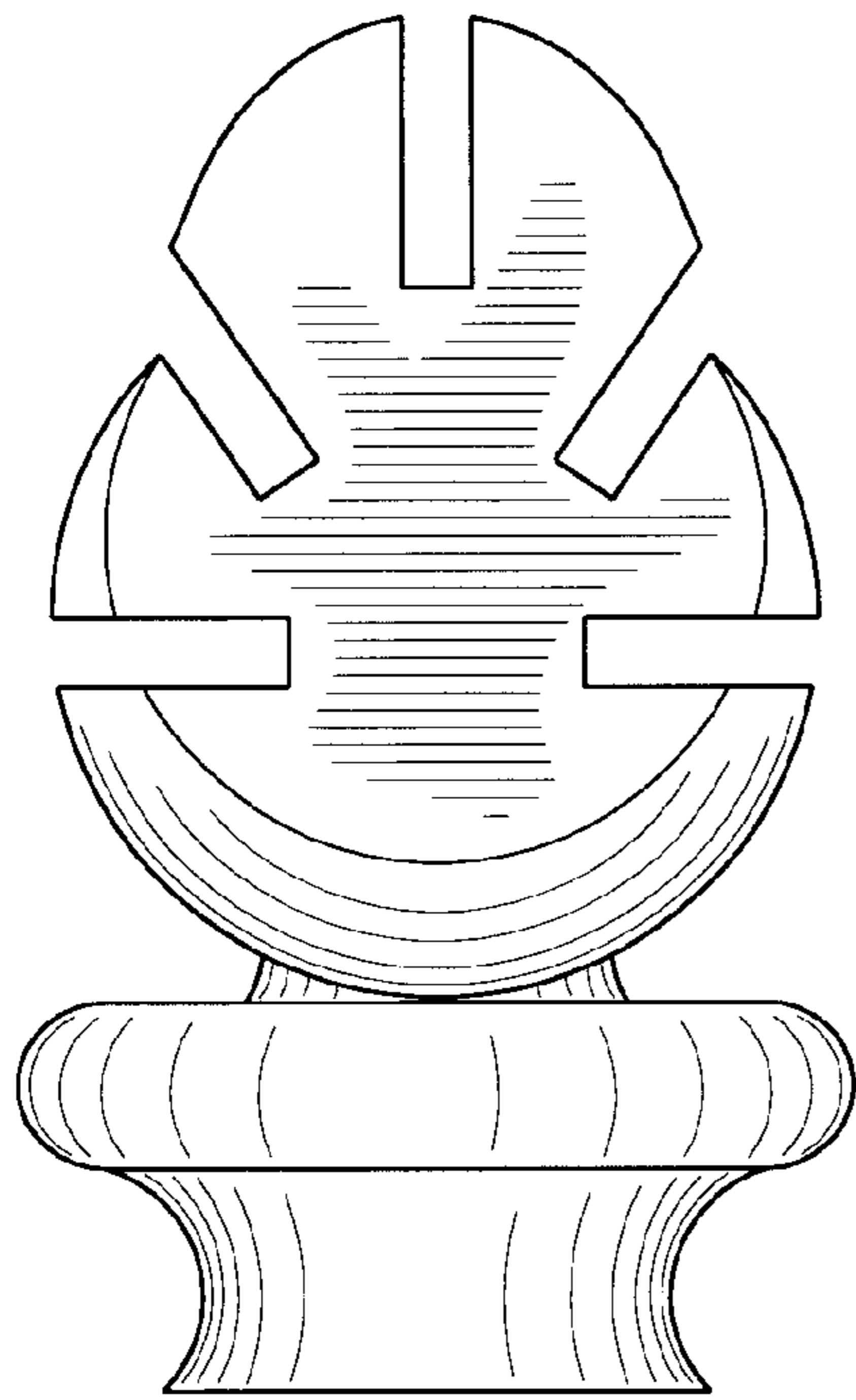


FIG. 1

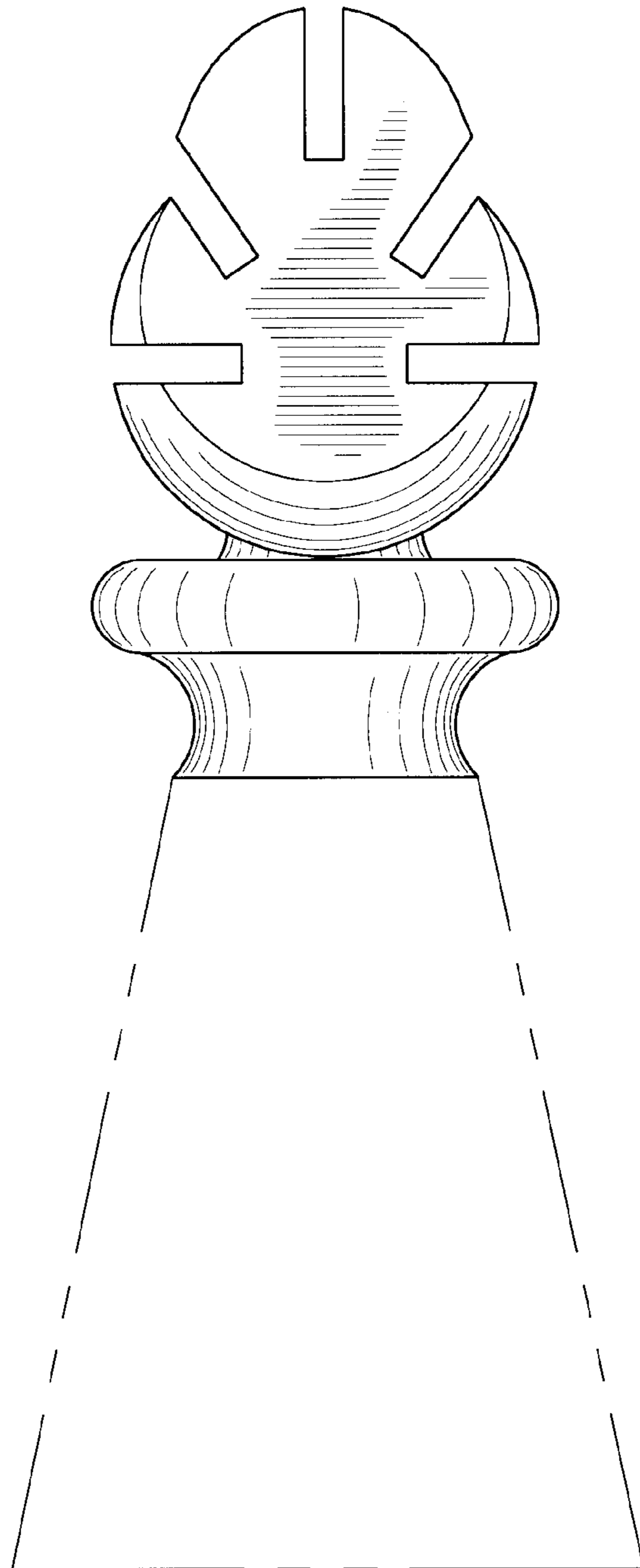


FIG. 2

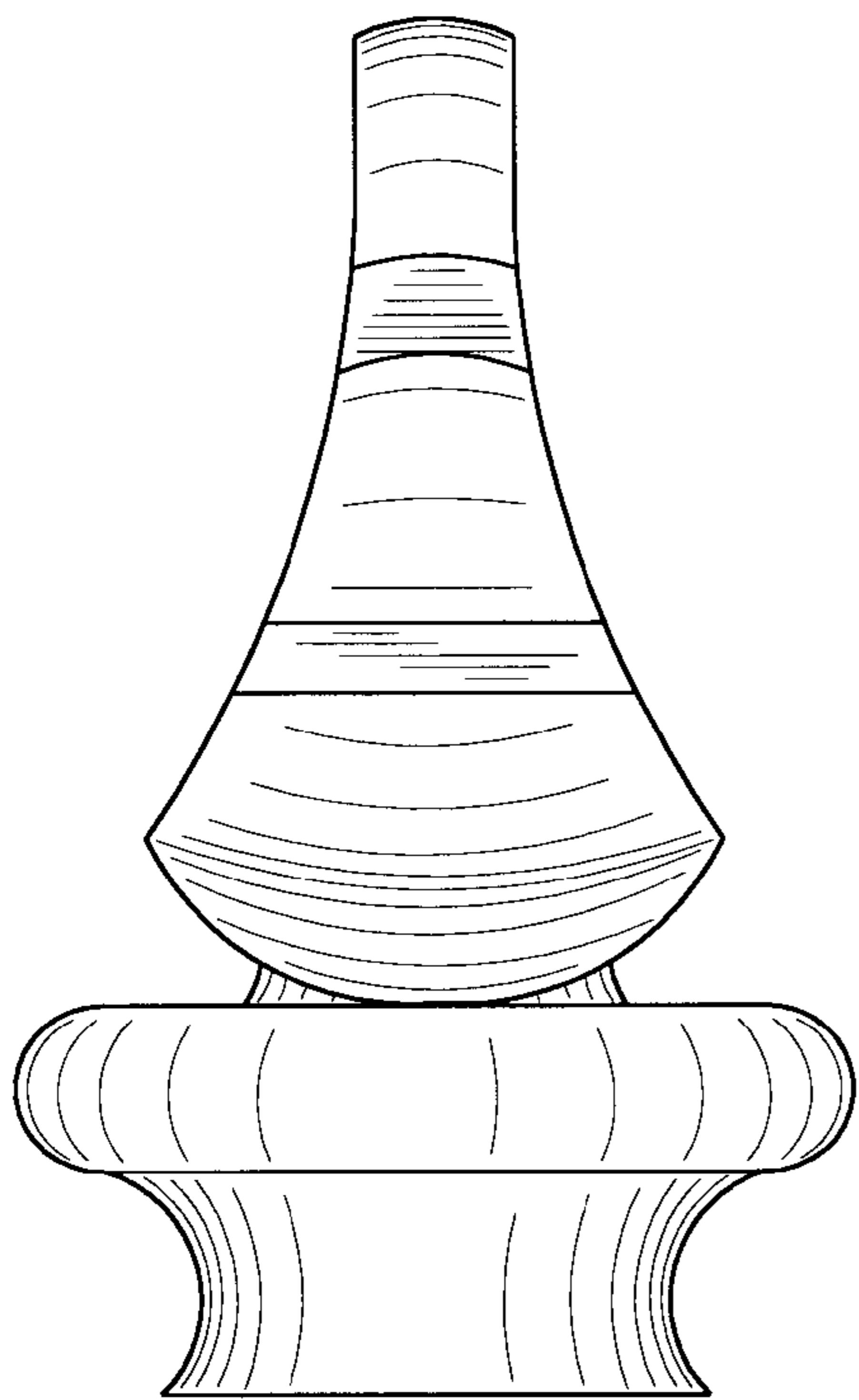


FIG. 3

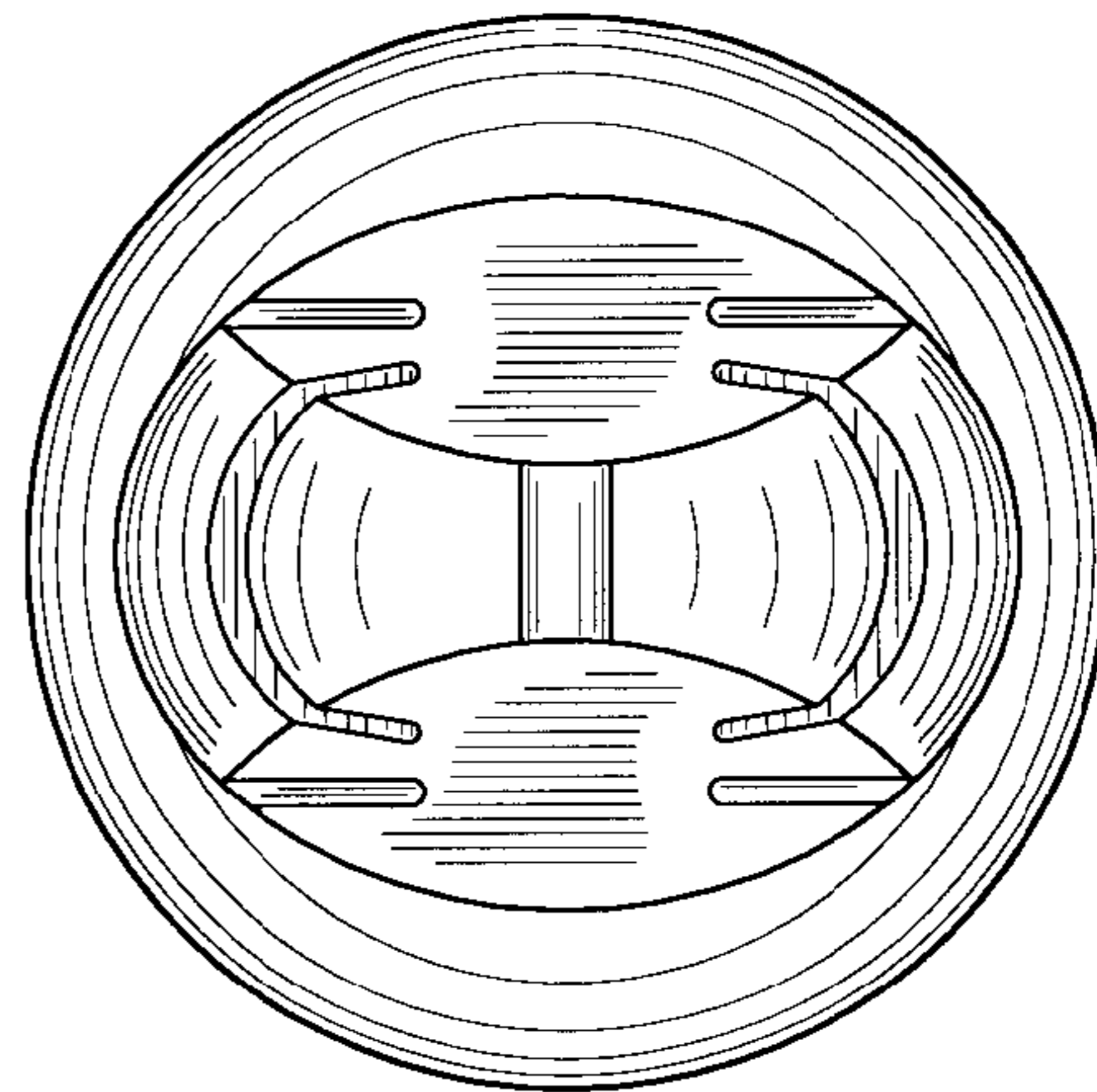


FIG. 4

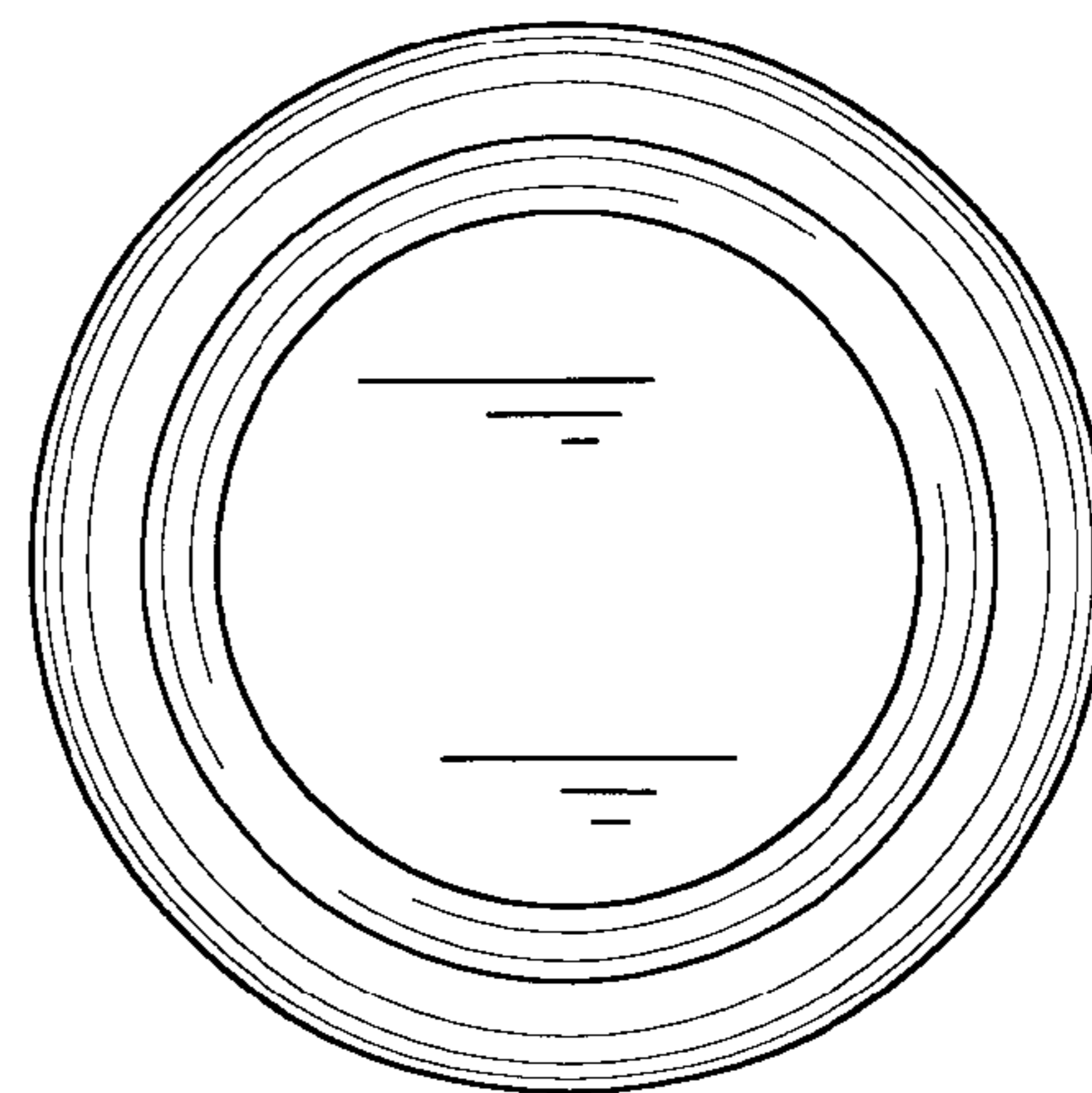


FIG. 5