



US00D516124S

(12) **United States Design Patent** (10) **Patent No.:** **US D516,124 S**
Killinger et al. (45) **Date of Patent:** **** *Feb. 28, 2006**

(54) **TRAY**
(75) **Inventors:** **Timothy D. Killinger**, Plainfield, IL (US); **Matthew G. Lerch**, Chicago, IL (US); **Aaron W. Smith**, Plainfield, IL (US); **Gilberto Cavada, Jr.**, Melrose Park, IL (US); **Melanie Lyn Conklin**, Chicago, IL (US)
(73) **Assignee:** **Rubbermaid Incorporated**, Fairlawn, OH (US)
(*) **Notice:** This patent is subject to a terminal disclaimer.
(**) **Term:** **14 Years**

4,238,032 A 12/1980 Thurman 206/507
4,320,837 A 3/1982 Carroll et al. 206/505
D294,601 S * 3/1988 Klodt D19/92
D296,706 S * 7/1988 Evans D19/92
D317,628 S * 6/1991 Evenson D19/92
D327,295 S * 6/1992 Szablak et al. D19/92
D331,257 S 11/1992 Breen et al. D19/20
D334,593 S 4/1993 Evenson D19/92
D338,917 S 8/1993 Aaldenberg D19/92
D348,904 S 7/1994 Linder D19/92
D356,822 S 3/1995 Volk D19/35
D382,402 S 8/1997 Pawuk et al. D3/304
D390,876 S 2/1998 Cheris et al. D19/92
D434,804 S 12/2000 Chang D19/92
D454,371 S 3/2002 Goodman et al. D19/92
D479,273 S 9/2003 Chang D19/92
D492,360 S 6/2004 Hardy D19/92

(21) **Appl. No.:** **29/212,025**
(22) **Filed:** **Aug. 25, 2004**

Related U.S. Application Data

(63) Continuation of application No. 29/202,695, filed on Apr. 2, 2004, now Pat. No. Des. 505,454.
(51) **LOC (8) Cl.** **19-02**
(52) **U.S. Cl.** **D19/92**
(58) **Field of Classification Search** D19/35, D19/36, 91, 92, 75, 77, 78, 86, 95, 99, 100; 206/214, 215, 224, 225, 449, 555, 557; 211/10, 211/11, 13.1, 50, 126.1, 126.2, 126.5, 126.6, 211/126.8, 126.13, 126.16
See application file for complete search history.

(56) **References Cited**
U.S. PATENT DOCUMENTS

1,890,143 A * 12/1932 Bales 211/126.5
2,183,992 A * 12/1939 Hearn et al. 206/449
3,003,647 A * 10/1961 Lockwood 211/126.8
3,934,724 A 1/1976 Johnson 206/507
4,102,453 A 7/1978 Carroll et al. 206/507

* cited by examiner

Primary Examiner—Caron D. Veynar
Assistant Examiner—Elizabeth Albert
(74) *Attorney, Agent, or Firm*—Marshall, Gerstein & Borun LLP

(57) **CLAIM**

The ornamental design for a “tray,” as shown and described.

DESCRIPTION

FIG. 1 is a perspective view of a tray showing our new design;
FIG. 2 is a top plan view of the tray of FIG. 1;
FIG. 3 is a front elevational view of the tray of FIG. 1;
FIG. 4 is a right side elevational view of the tray of FIG. 1, the left side elevational view being a mirror image thereof;
FIG. 5 is a rear elevational view of the tray of FIG. 1;
FIG. 6 is a bottom plan view of the tray of FIG. 1; and,
FIG. 7 is another perspective view showing our new design.
The dashed lines are for illustrative purposes only and form no part of the claimed design.

1 Claim, 3 Drawing Sheets

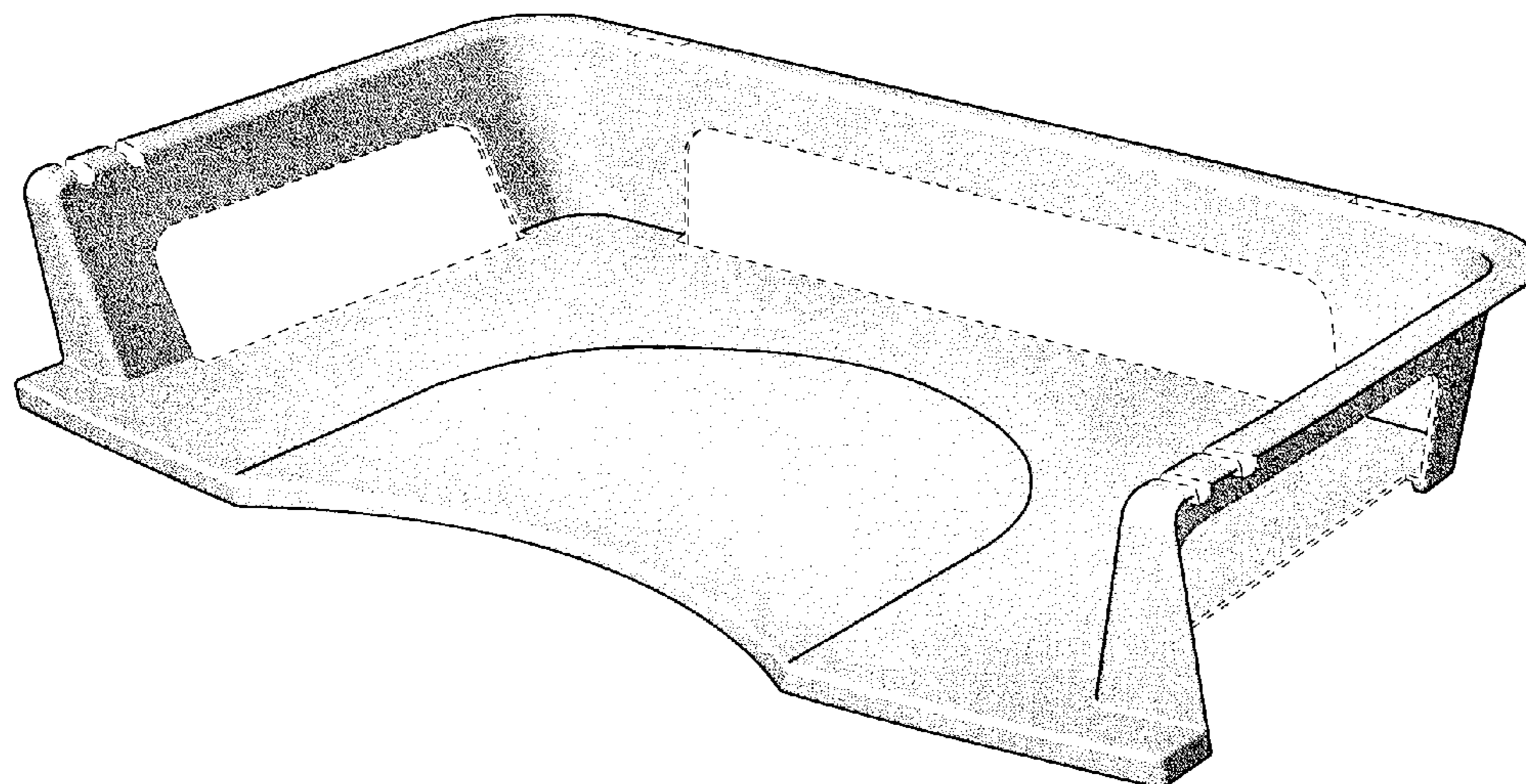


FIG. 1

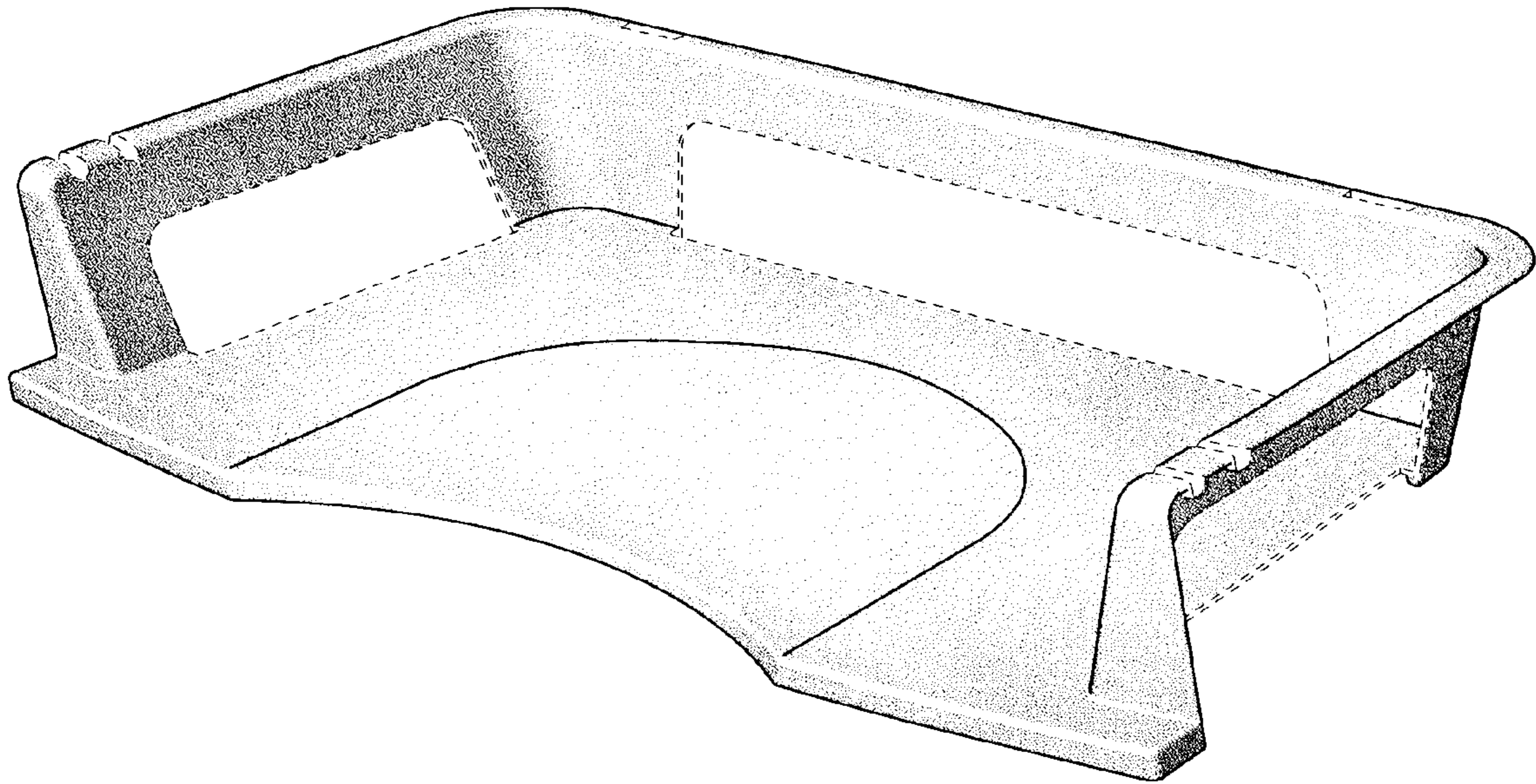


FIG. 2

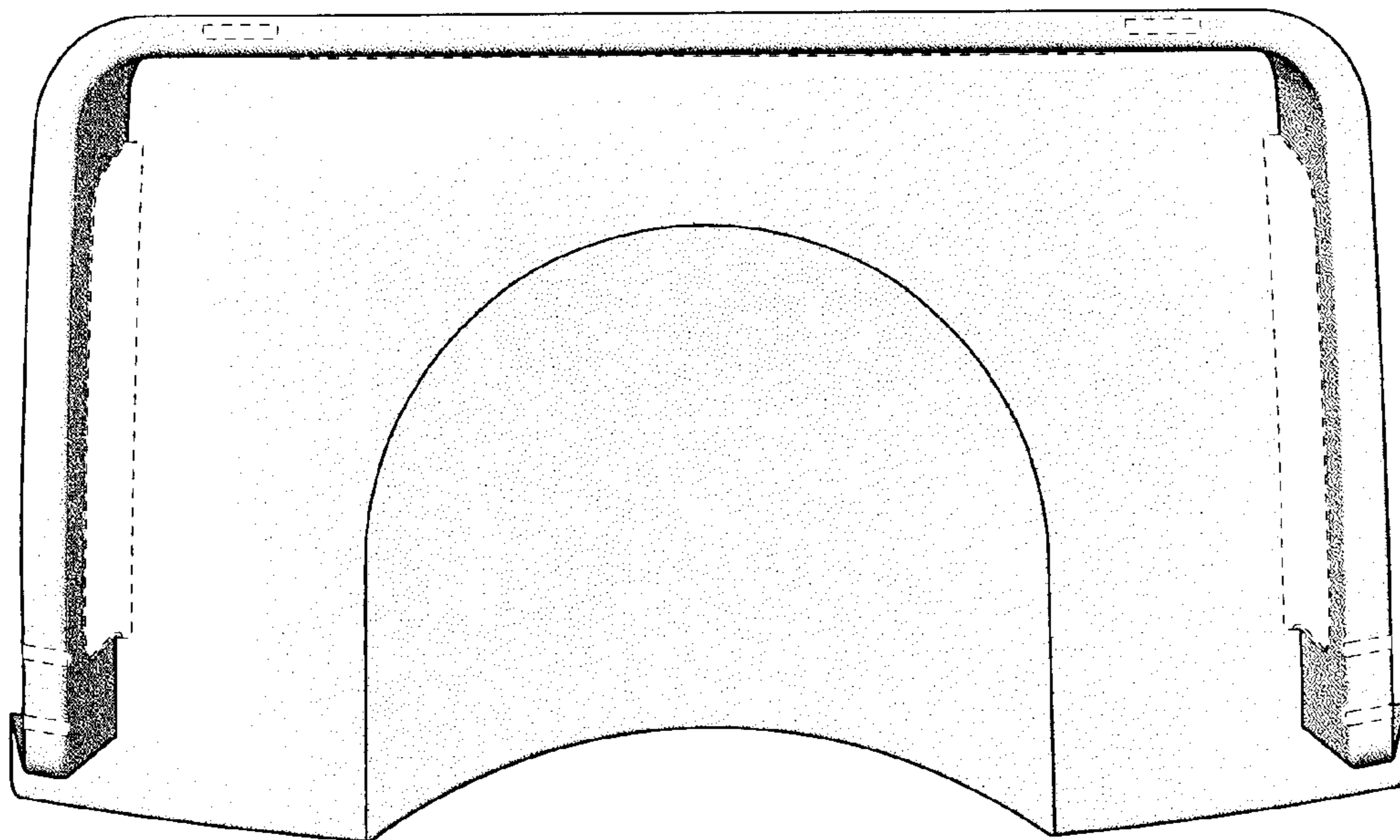


FIG. 3

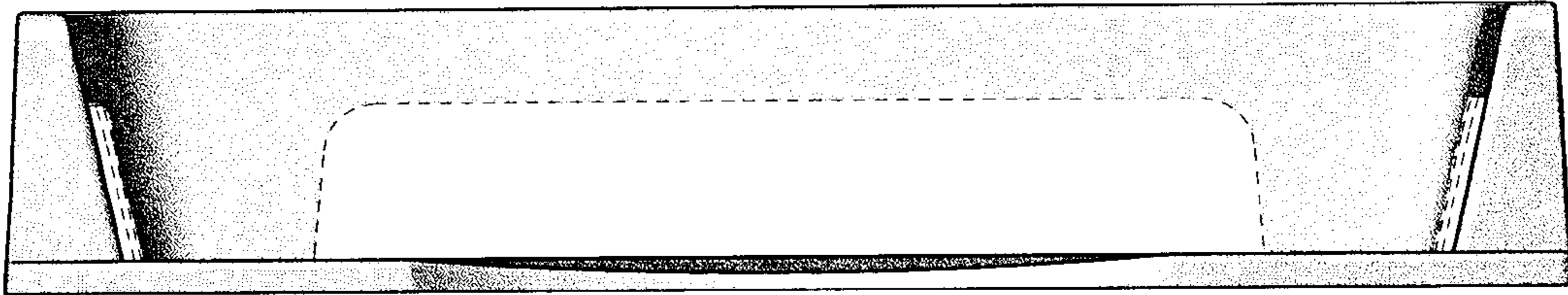


FIG. 4

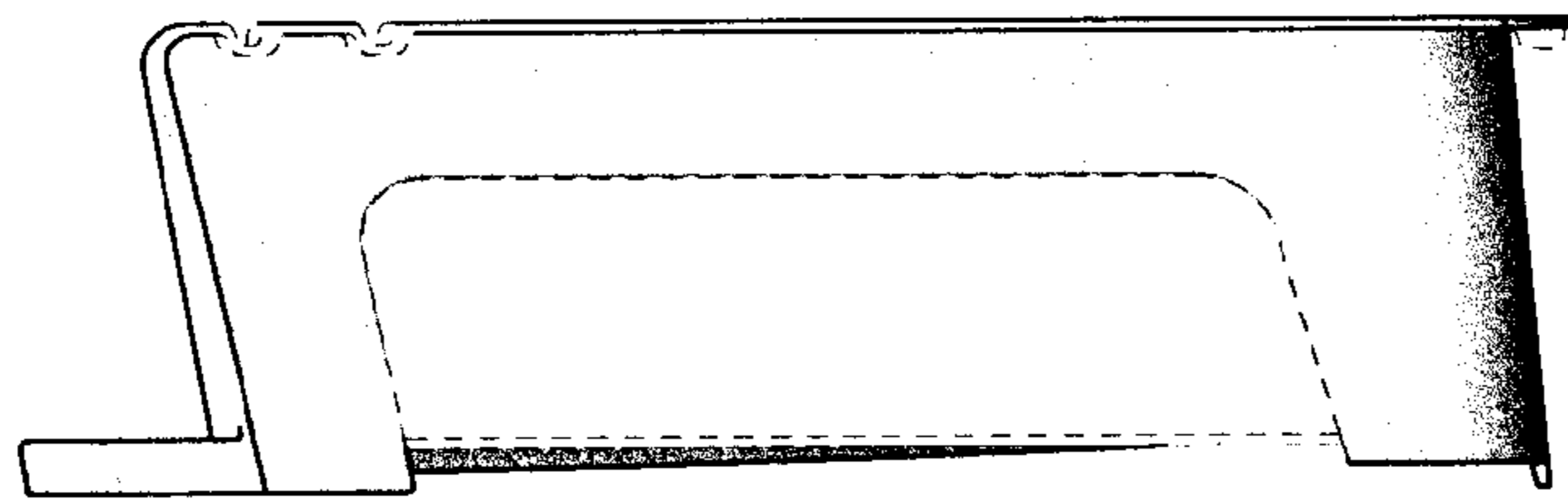


FIG. 5

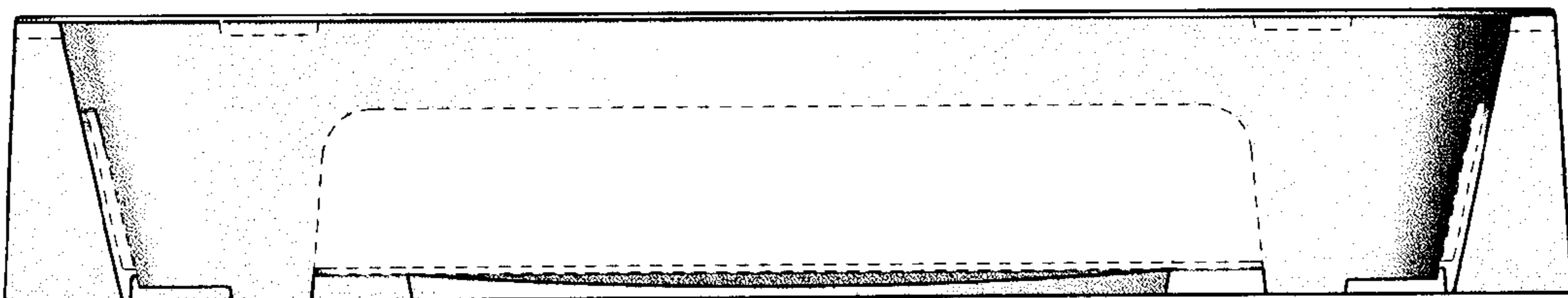


FIG. 6

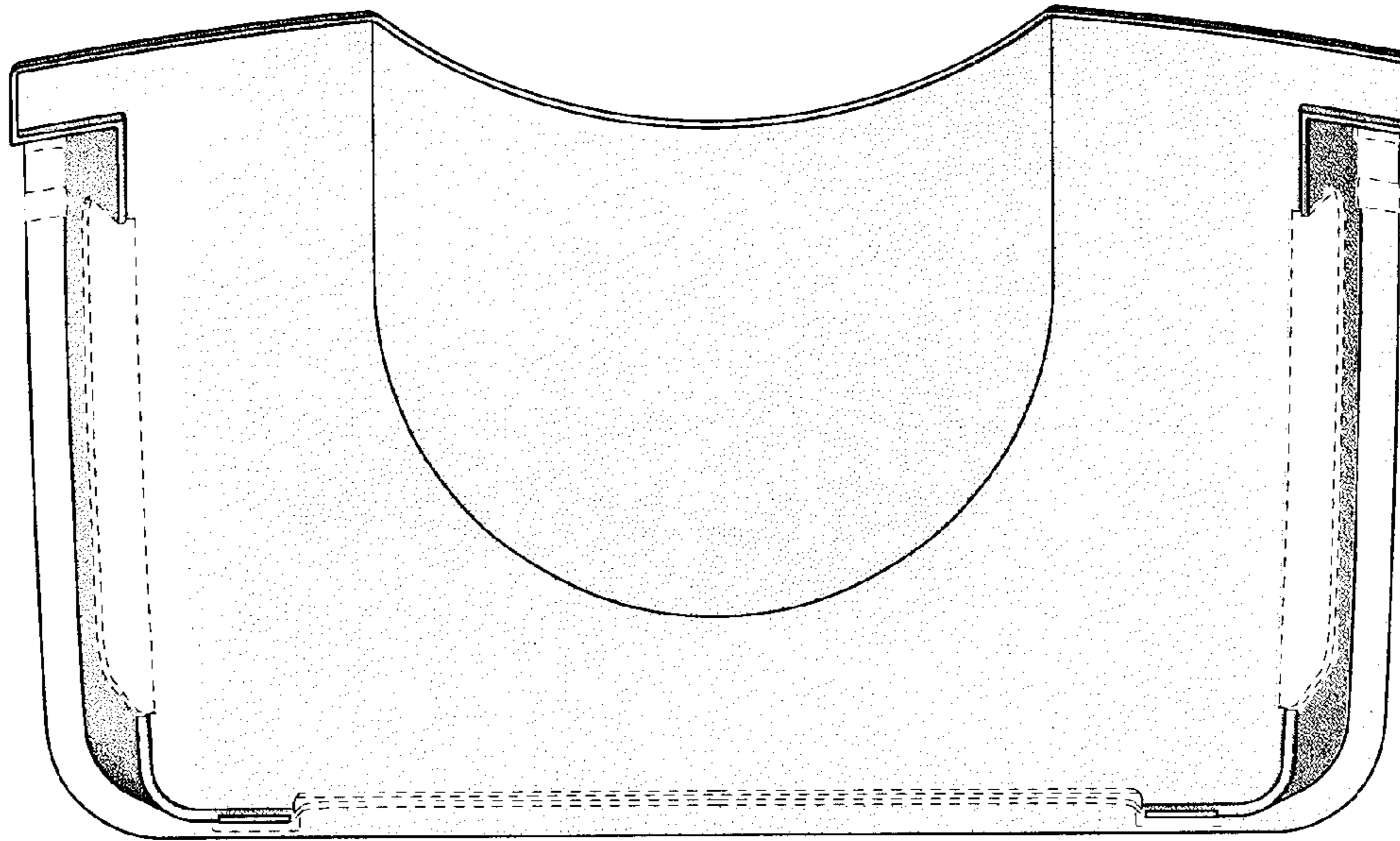


FIG. 7

