

US00D516123S

(12) **United States Design Patent**  
**Vanderpool**

(10) **Patent No.:** **US D516,123 S**  
(45) **Date of Patent:** **\*\* Feb. 28, 2006**

- (54) **DISPLAY ENVELOPE**
- (75) **Inventor:** **Thomas R. Vanderpool**, White Bear Township, MN (US)
- (73) **Assignee:** **OneDisc.com**, St. Paul, MN (US)
- (\*\*) **Term:** **14 Years**
- (21) **Appl. No.:** **29/207,118**
- (22) **Filed:** **Jun. 8, 2004**
- (51) **LOC (8) Cl.** ..... **19-01**
- (52) **U.S. Cl.** ..... **D19/3**
- (58) **Field of Classification Search** ..... D19/1, D19/2, 3, 4, 5, 6, 7, 8; 206/215; 229/68.1, 229/71, 72, 75, 76, 92, 92.5, 92.7, 92.8, 300, 229/303, 313; 283/106, 116; 493/216; D6/407  
See application file for complete search history.

- 4,460,119 A \* 7/1984 Goodfellow et al. .... 229/68.1
- 4,597,591 A \* 7/1986 Gendron et al. .... 283/116
- D286,300 S \* 10/1986 Bourgeois ..... D19/3
- 5,316,208 A \* 5/1994 Petkovsek ..... 229/71
- 5,826,787 A \* 10/1998 Turner ..... 229/303
- 6,029,883 A \* 2/2000 Hechinger et al. .... 229/71
- D467,270 S \* 12/2002 Baltus ..... D19/3
- 6,491,160 B1 \* 12/2002 Butler et al. .... 206/232
- 2003/0150902 A1 \* 8/2003 Huff et al. .... 229/92.8
- 2003/0217488 A1 \* 11/2003 Chmiel et al. .... 40/124.19
- 2005/0055854 A1 \* 3/2005 Collins ..... 40/124.16

\* cited by examiner

*Primary Examiner*—Caron D. Veynar  
*Assistant Examiner*—Elizabeth Albert  
(74) *Attorney, Agent, or Firm*—Beck & Tysver P.L.L.C.

(57) **CLAIM**

The ornamental design for a display envelope, as shown and described.

**DESCRIPTION**

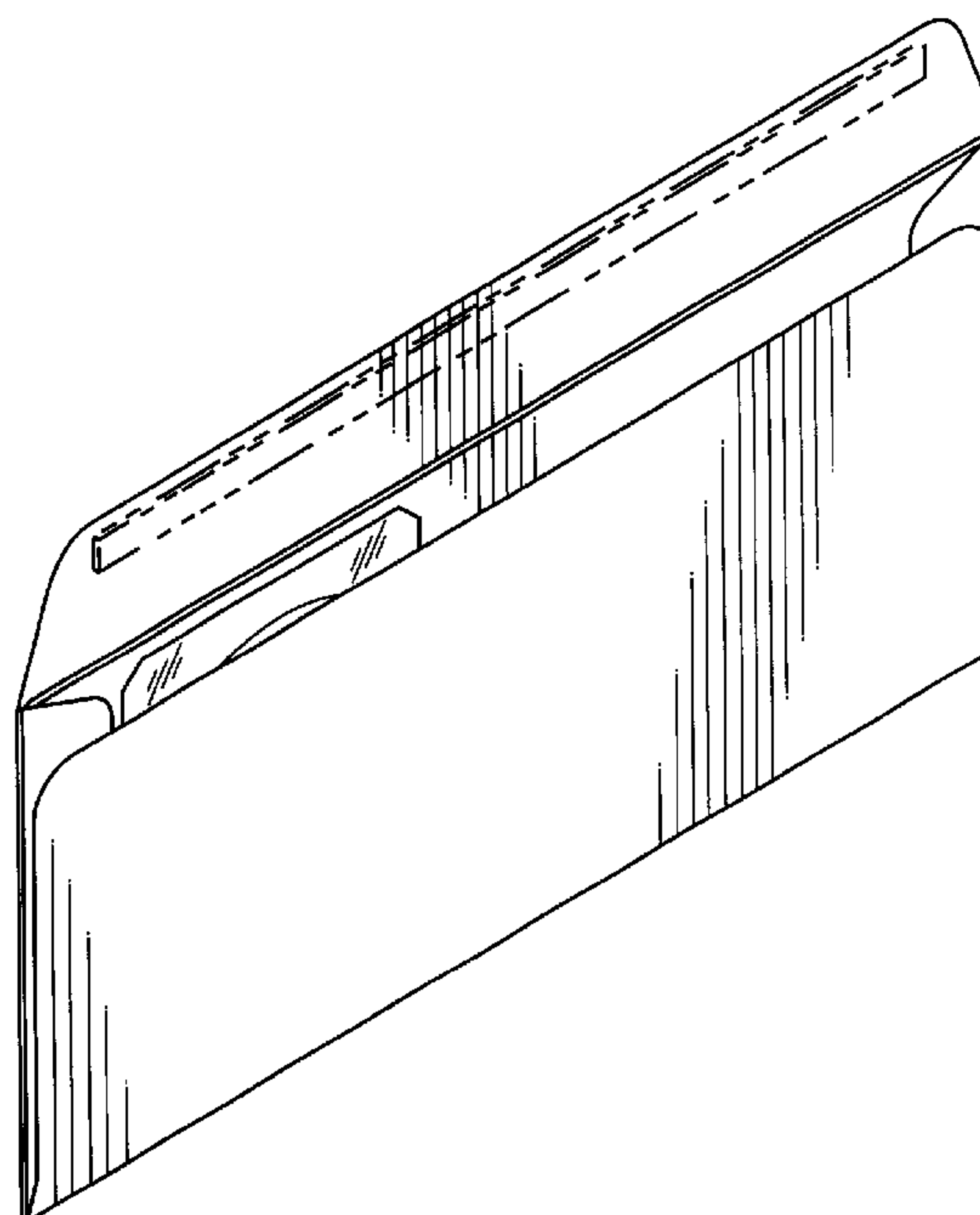
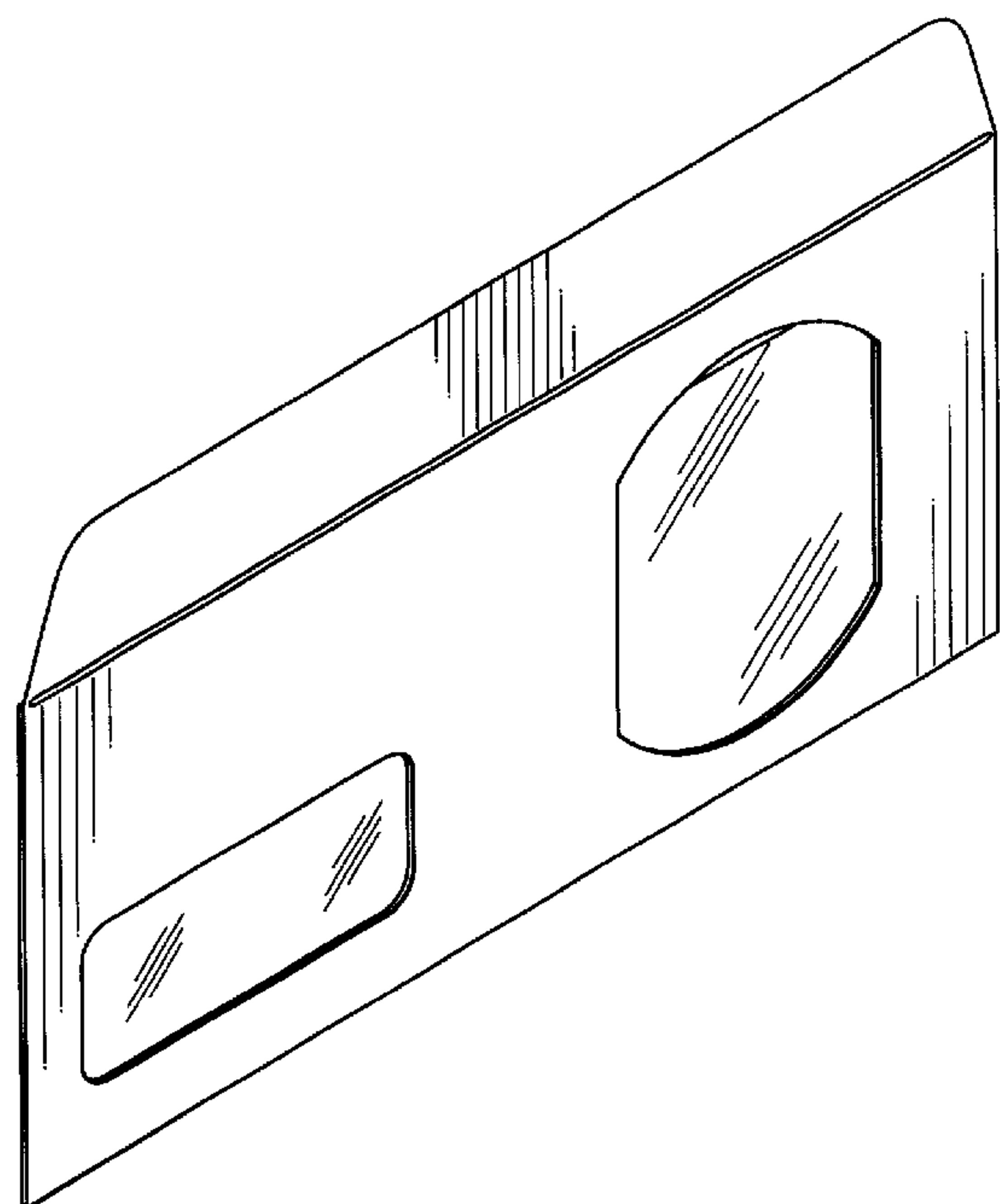
FIG. 1 is a front isometric view of a display envelope; and, FIG. 2 is a back isometric view of a display envelope. The broken line disclosure in FIG. 2 is for illustrative purposes only and forms no part of the claimed design.

**1 Claim, 2 Drawing Sheets**

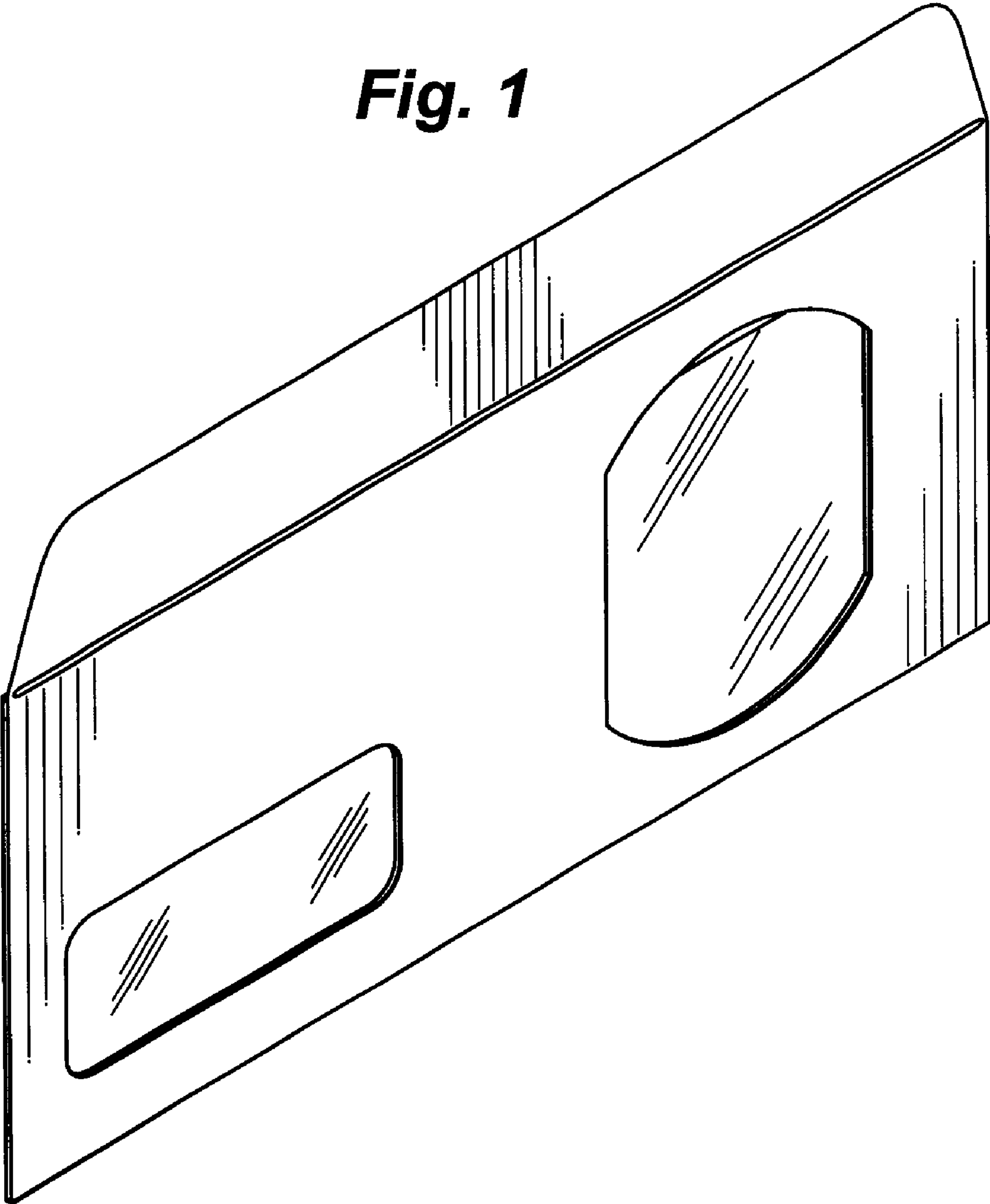
(56) **References Cited**

**U.S. PATENT DOCUMENTS**

- 911,794 A \* 2/1909 Williams ..... 206/312
- 2,015,199 A \* 9/1935 Sparks et al. .... 383/86
- 2,846,135 A \* 8/1958 Hiersteiner ..... 229/303
- 3,295,747 A \* 1/1967 Bergkamp ..... 229/311
- 4,444,356 A \* 4/1984 Hays ..... 229/71



**Fig. 1**



**Fig. 2**

