



US00D516121S

(12) **United States Design Patent**  
**Suzuki et al.**

(10) **Patent No.:** **US D516,121 S**  
(45) **Date of Patent:** **\*\* Feb. 28, 2006**

(54) **PRINTER**

(75) Inventors: **Wataru Suzuki**, Nagano-ken (JP); **Emi Akahane**, Nagano-ken (JP); **Yoshihiro Tatara**, Nagano-ken (JP); **Masahiko Kobayashi**, Nagano-ken (JP); **Hidenori Harada**, Nagano (JP); **Nobukazu Furutera**, Nagano (JP)

(73) Assignee: **Seiko Epson Corporation**, Tokyo (JP)

(\*\*) Term: **14 Years**

(21) Appl. No.: **29/210,507**

(22) Filed: **Aug. 3, 2004**

(30) **Foreign Application Priority Data**

Feb. 4, 2004 (JP) ..... 2004-002778

(51) **LOC (8) Cl.** ..... **18-02**

(52) **U.S. Cl.** ..... **D18/55; D16/237**

(58) **Field of Classification Search** ..... **D16/200, D16/208, 237, 248; D18/19, 36, 50, 55; 348/207.2, 348/373-375; 396/429; 400/601, 621, 692, 400/693**

See application file for complete search history.

(56) **References Cited**

**U.S. PATENT DOCUMENTS**

D376,615 S \* 12/1996 Dubson ..... D18/50

6,030,134 A \* 2/2000 Stewart ..... 400/601  
D425,547 S \* 5/2000 Ishiura ..... D18/50  
D446,544 S \* 8/2001 Platner et al. .... D18/50  
6,572,290 B1 \* 6/2003 McCleave et al. .... 400/621  
D477,019 S \* 7/2003 Dwyer et al. .... D18/55  
D498,785 S \* 11/2004 Wong et al. .... D18/50  
D505,447 S \* 5/2005 Wong et al. .... D18/50

\* cited by examiner

*Primary Examiner*—Adir Aronovich

(74) *Attorney, Agent, or Firm*—Sughrue Mion, PLLC

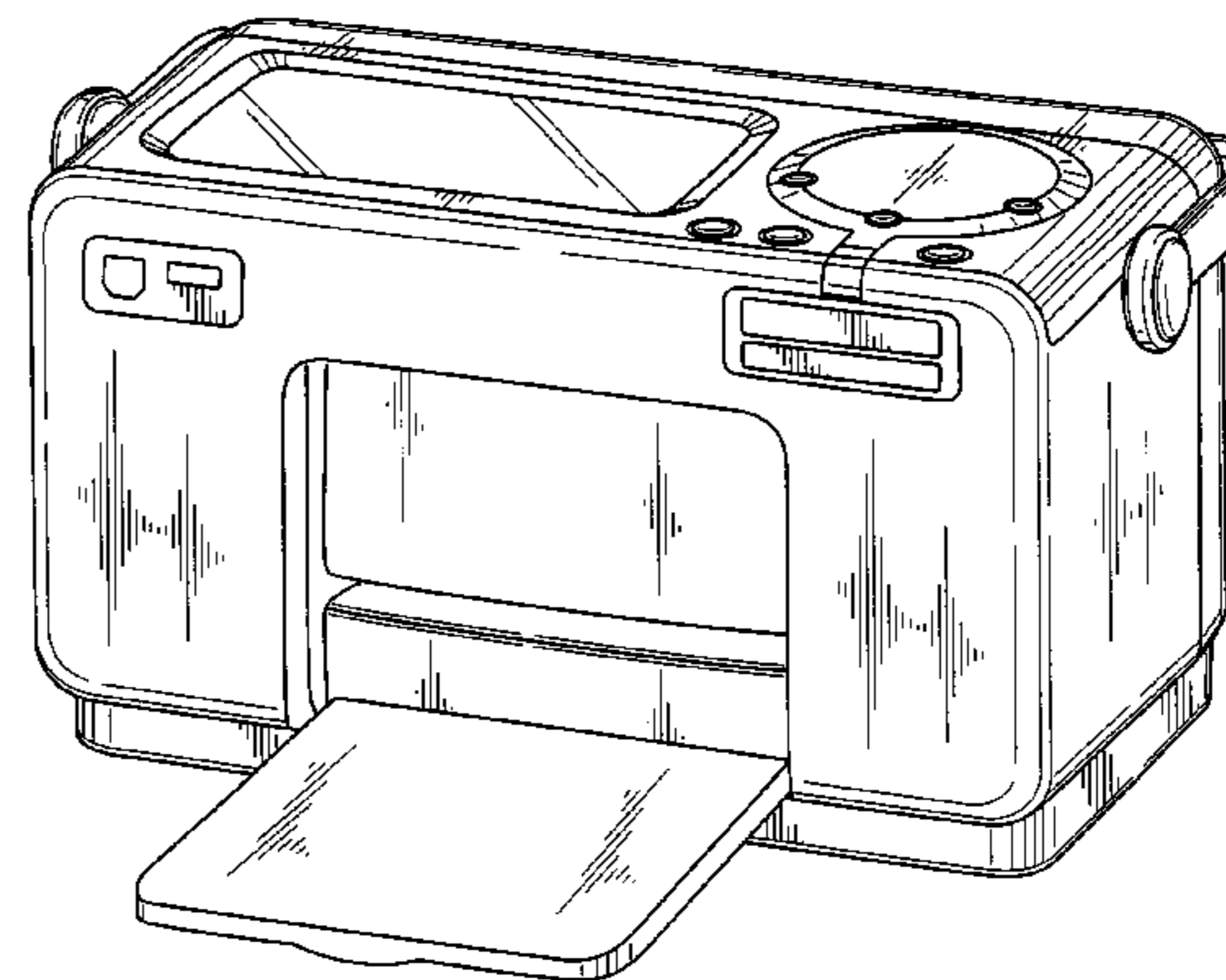
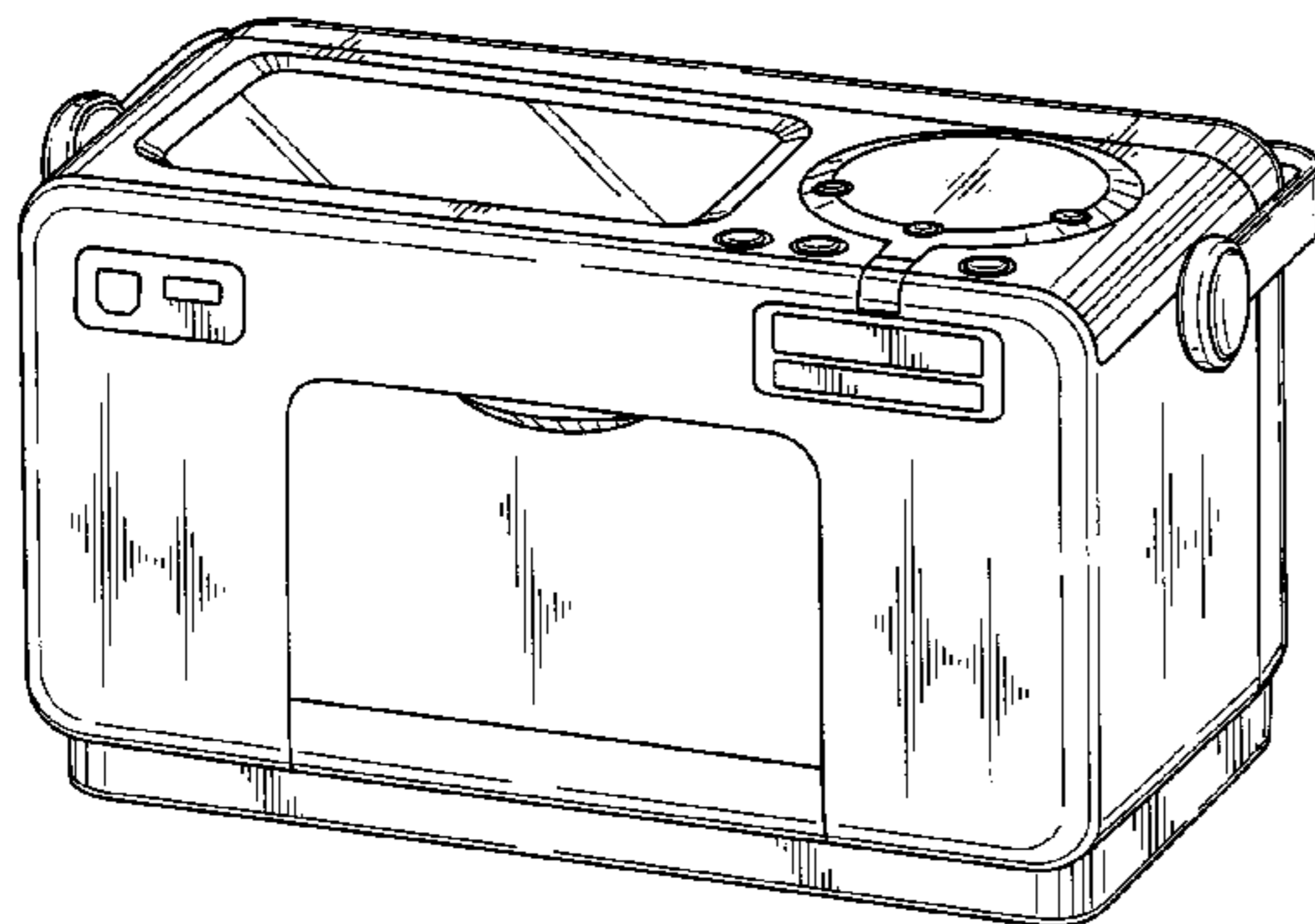
(57) **CLAIM**

The ornamental design for a printer, as shown and described.

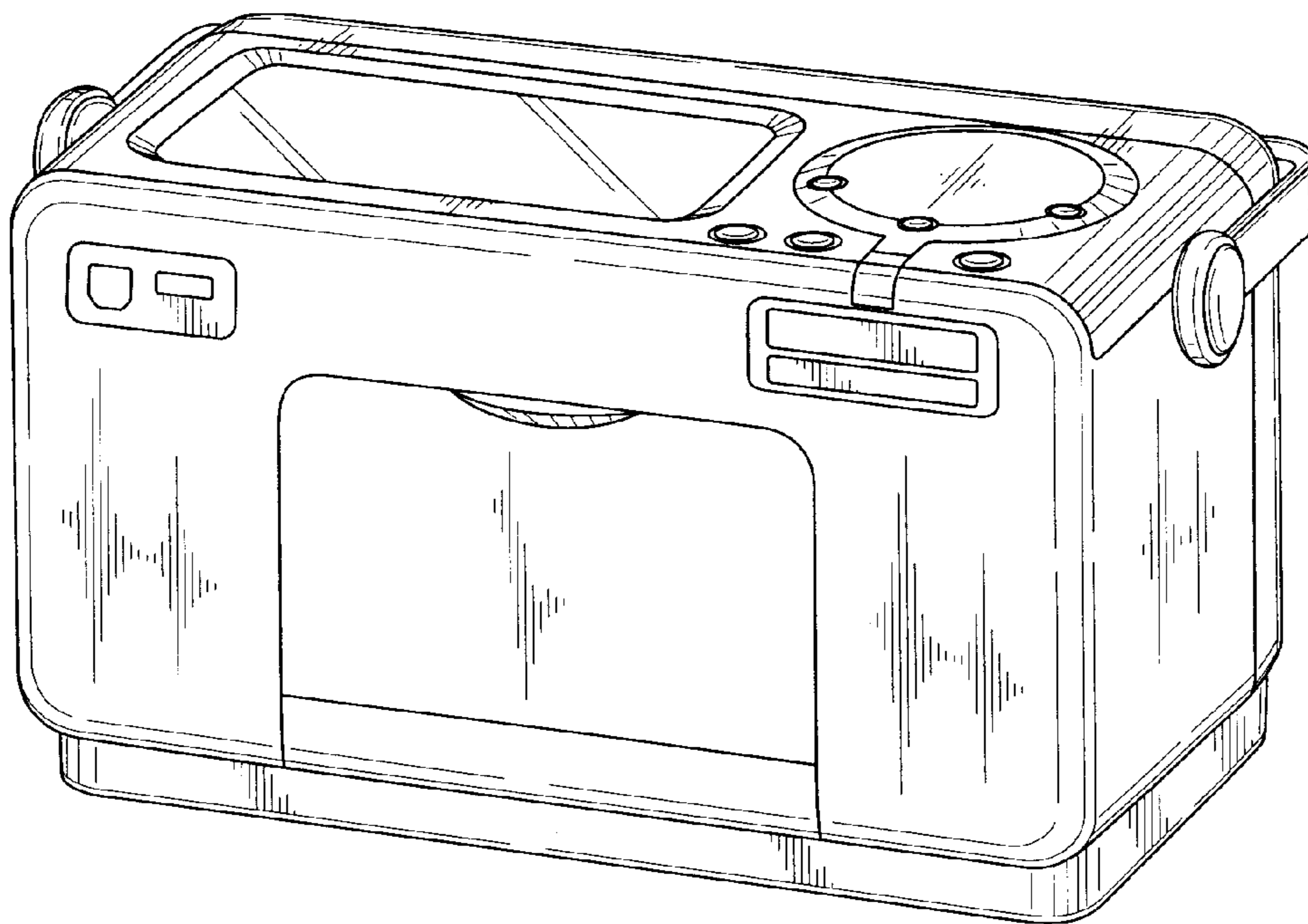
**DESCRIPTION**

FIG. 1 is a perspective view of the top, front and right side of a printer showing our new design;  
FIG. 2 is a front elevational view thereof;  
FIG. 3 is a rear elevational view thereof;  
FIG. 4 is a left side elevational view thereof;  
FIG. 5 is a right side elevational view thereof;  
FIG. 6 is a top plan view thereof;  
FIG. 7 is a bottom plan view thereof;  
FIG. 8 is a perspective view similar to FIG. 1 with the transport handle in the upright position; and,  
FIG. 9 is a perspective view similar to FIG. 1 with the paper output tray in the extended position.

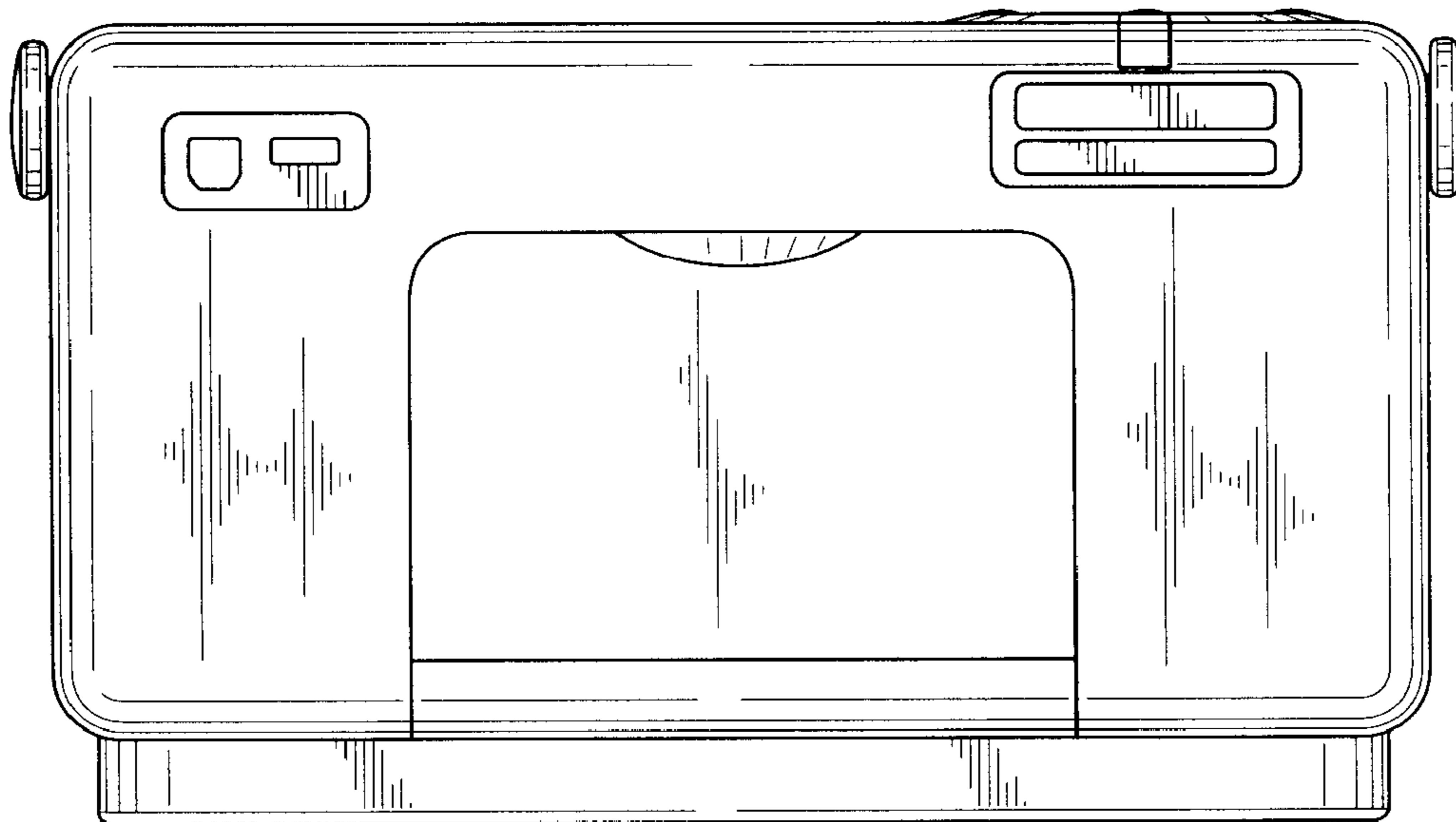
**1 Claim, 8 Drawing Sheets**



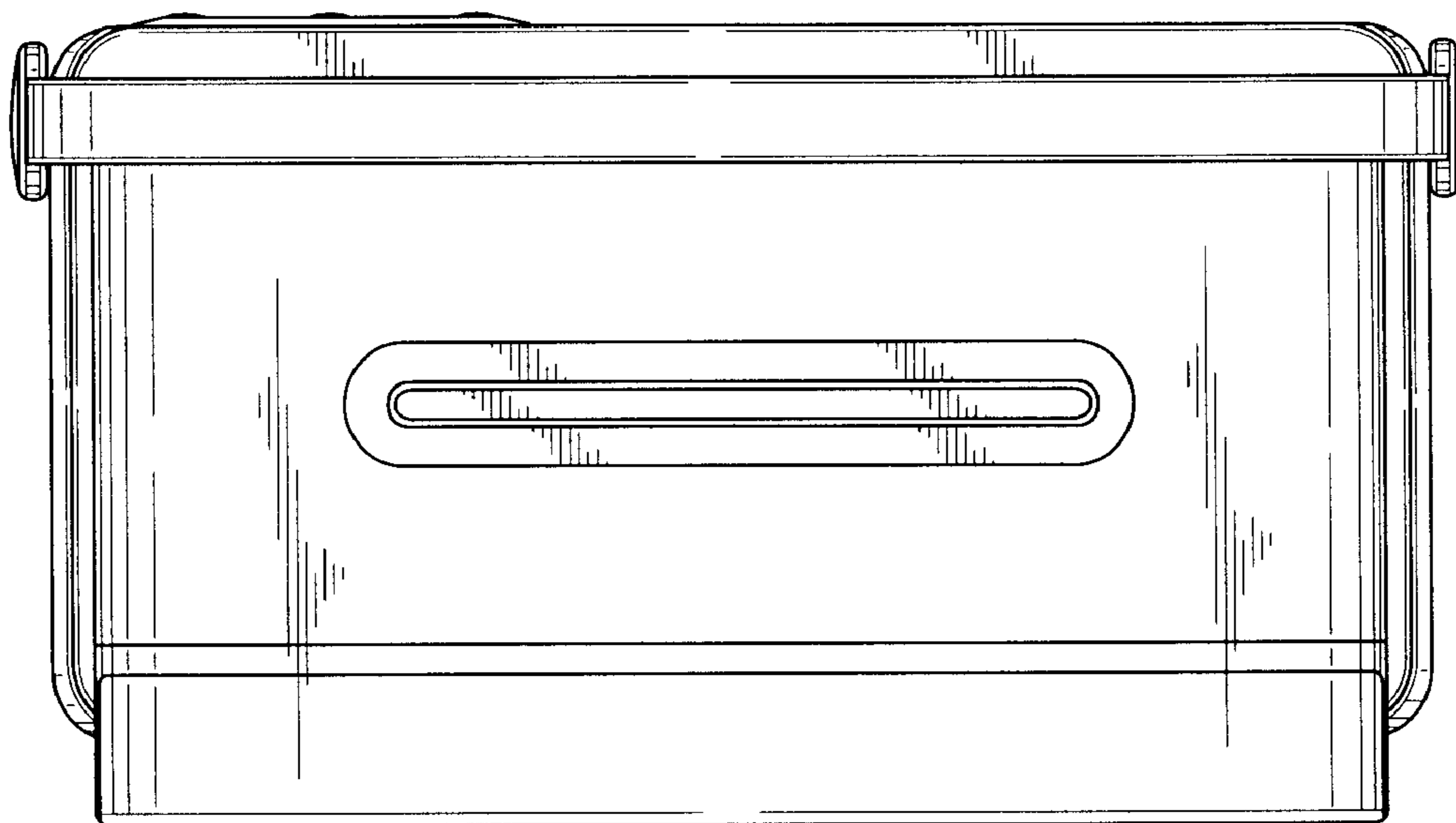
*FIG. 1*



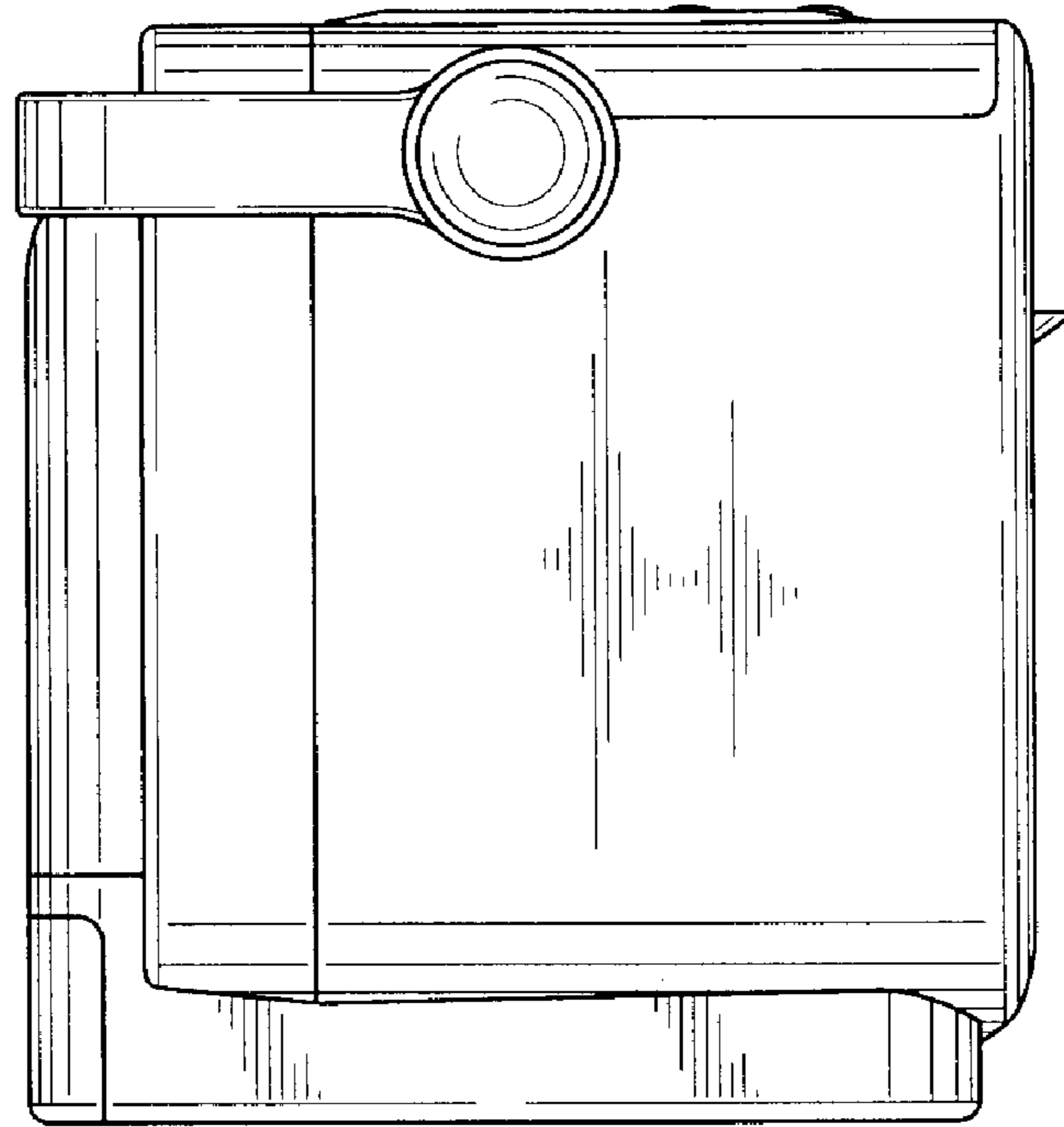
*FIG. 2*



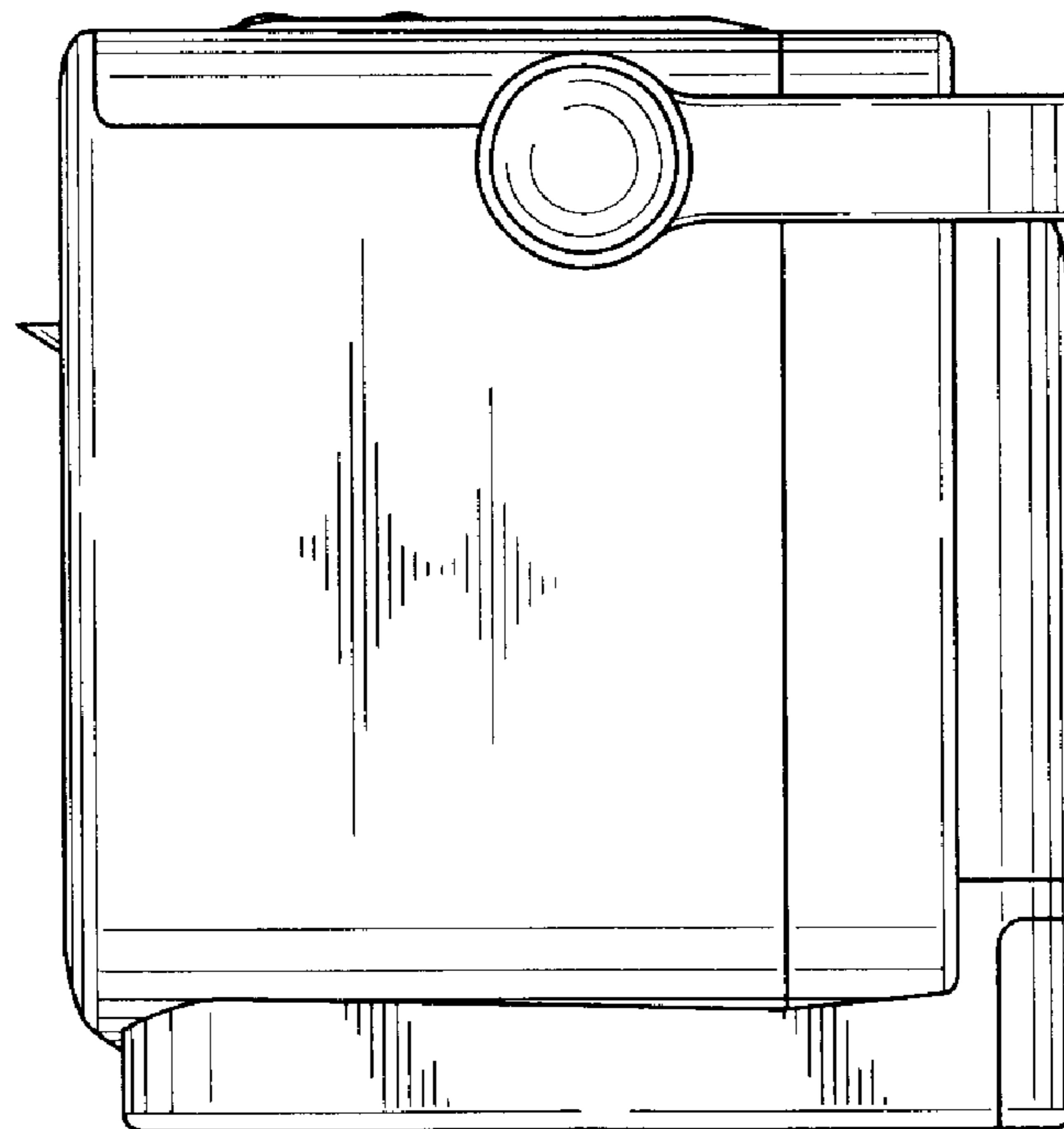
*FIG. 3*



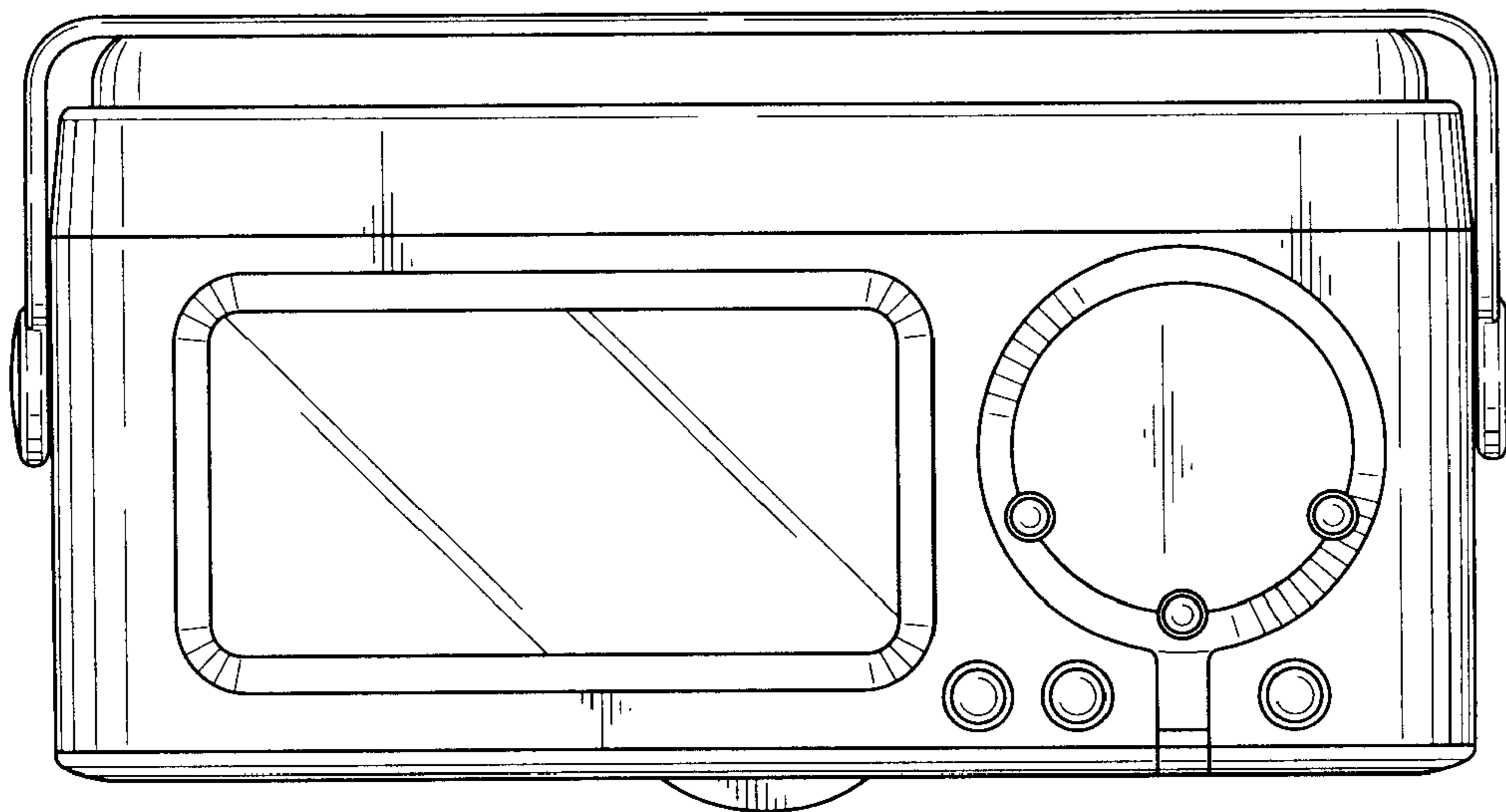
*FIG. 4*



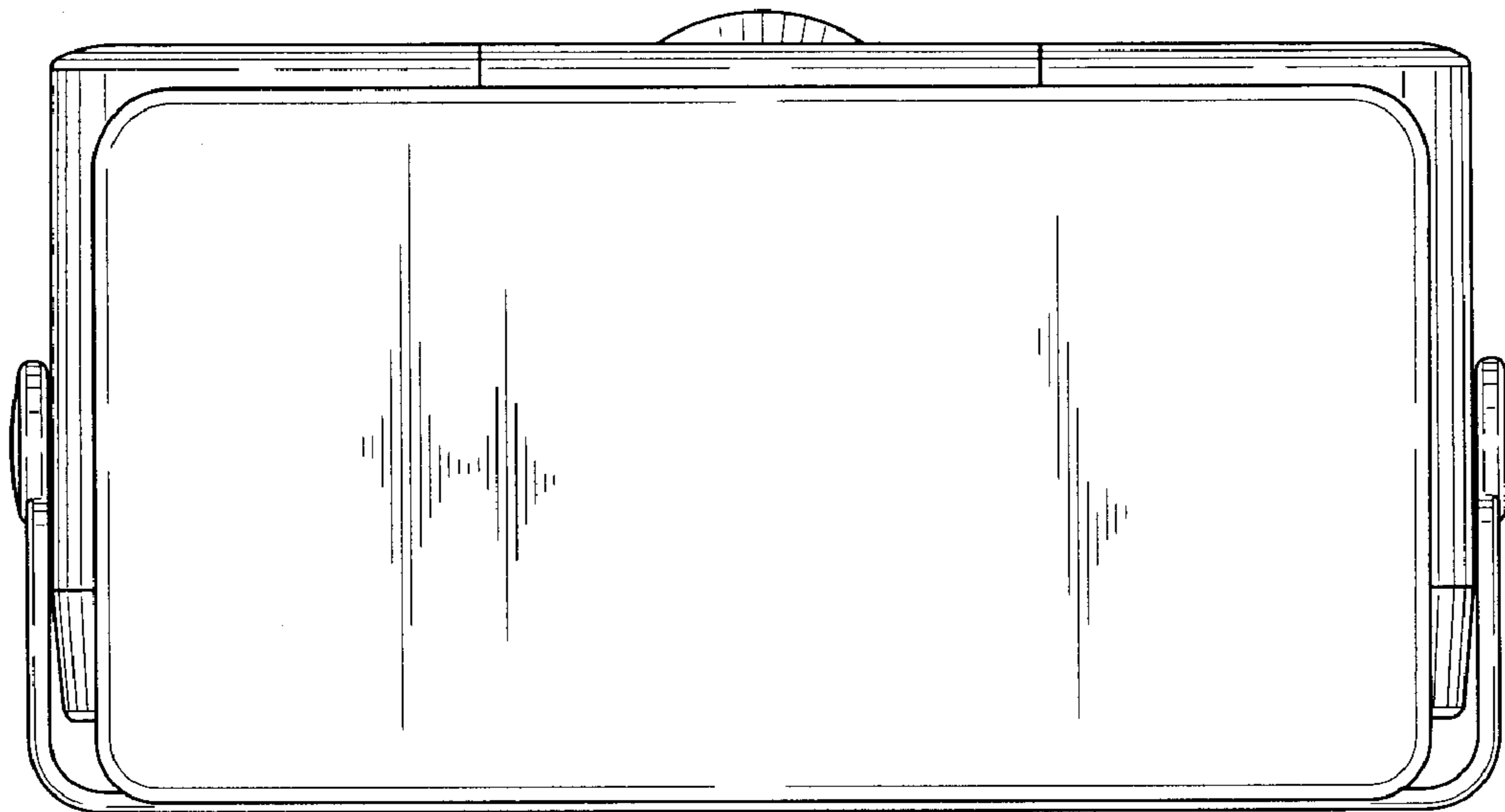
*FIG. 5*



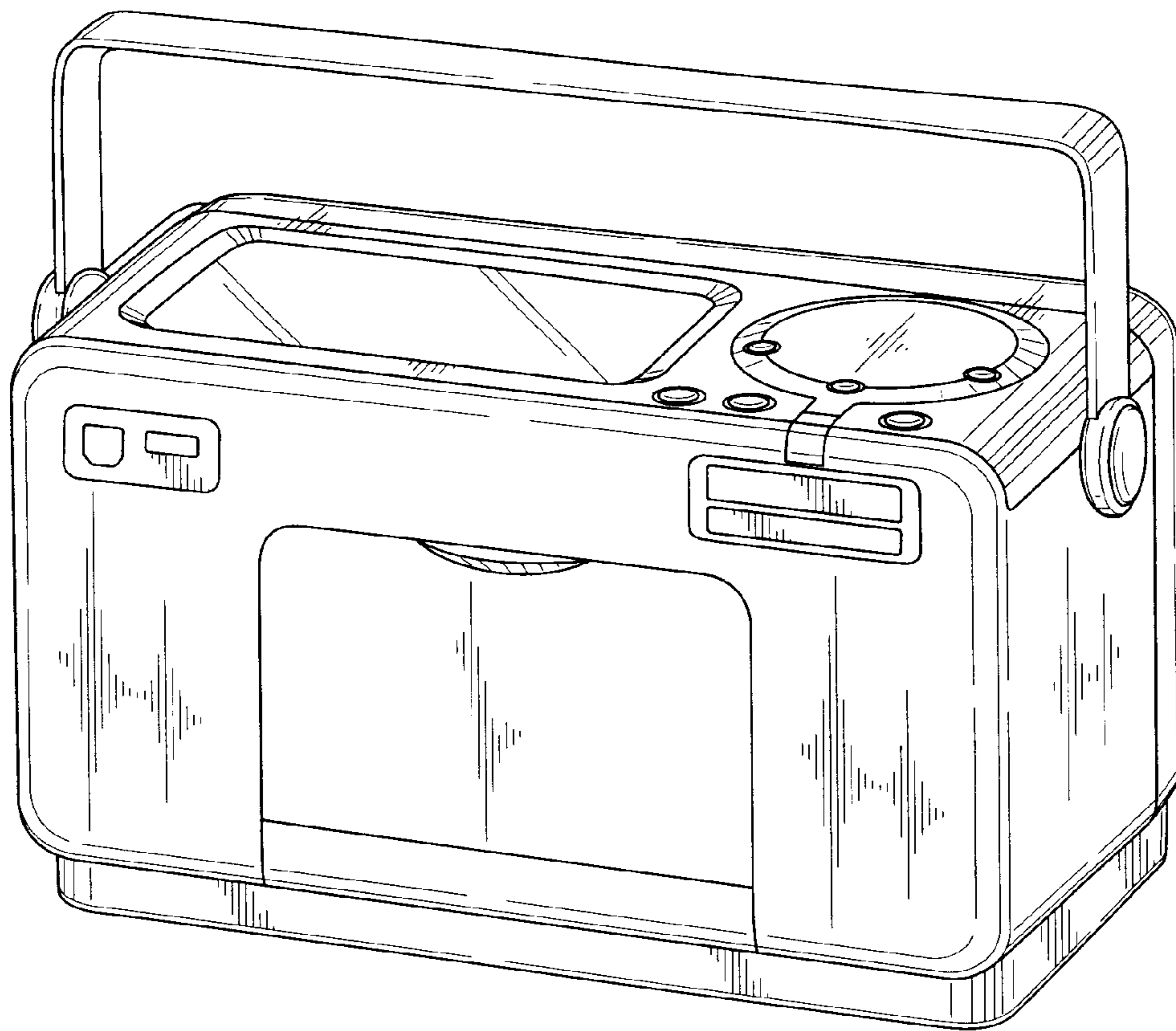
*FIG. 6*



*FIG. 7*



*FIG. 8*





*FIG. 9*

