



US00D516120S

(12) **United States Design Patent**
Yamano et al.

(10) **Patent No.:** **US D516,120 S**
(45) **Date of Patent:** **** Feb. 28, 2006**

(54) **PRINTER**

(75) Inventors: **Hirokazu Yamano**, Nagano-ken (JP);
Ikuo Masujima, Nagano-ken (JP);
Kenichi Miyazaki, Nagano-ken (JP)

(73) Assignee: **Seiko Epson Corporation**, Tokyo (JP)

(**) Term: **14 Years**

(21) Appl. No.: **29/200,222**

(22) Filed: **Feb. 26, 2004**

(30) **Foreign Application Priority Data**

Aug. 27, 2003 (JP) 2003-024775

(51) **LOC (8) Cl.** **14-02**

(52) **U.S. Cl.** **D18/55**

(58) **Field of Classification Search** D18/36-39,
D18/53-54, 54.1, 55; D14/420-425, 462-470;
400/613, 613.1-613.4, 690.1-690.4, 691-694
See application file for complete search history.

(56) **References Cited**

U.S. PATENT DOCUMENTS

D287,730 S * 1/1987 Kojima et al. D18/55

D293,578 S * 1/1988 Matsumoto et al. D18/55
D374,032 S * 9/1996 Kobayashi et al. D18/55
D413,919 S 9/1999 Kobayashi et al.
D431,596 S * 10/2000 Berger D18/50
D443,889 S * 6/2001 Yamano et al. D18/50
D464,080 S * 10/2002 Yamano et al. D18/53
D466,924 S * 12/2002 Wong et al. D18/55
6,612,763 B1 * 9/2003 Yoshihara 400/692

* cited by examiner

Primary Examiner—Cathy Anne MacCormac
(74) *Attorney, Agent, or Firm*—Sughrue Mion, PLLC

(57) **CLAIM**

The ornamental design for a printer, as shown.

DESCRIPTION

FIG. 1 is a perspective view of the top, front and right side of a printer showing our new design;
FIG. 2 front elevational view thereof;
FIG. 3 rear elevational view thereof;
FIG. 4 left side elevational view thereof;
FIG. 5 right side elevational view thereof;
FIG. 6 is a top plan view thereof; and,
FIG. 7 bottom plan view thereof.

1 Claim, 6 Drawing Sheets

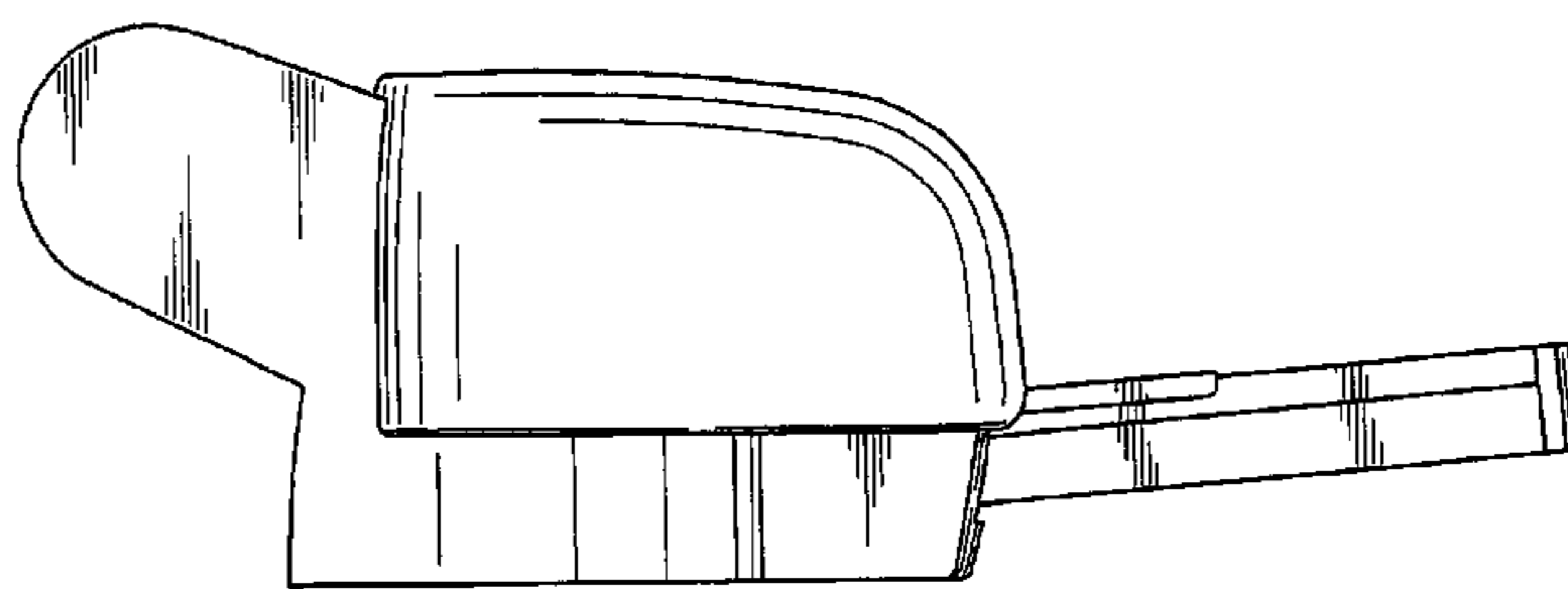
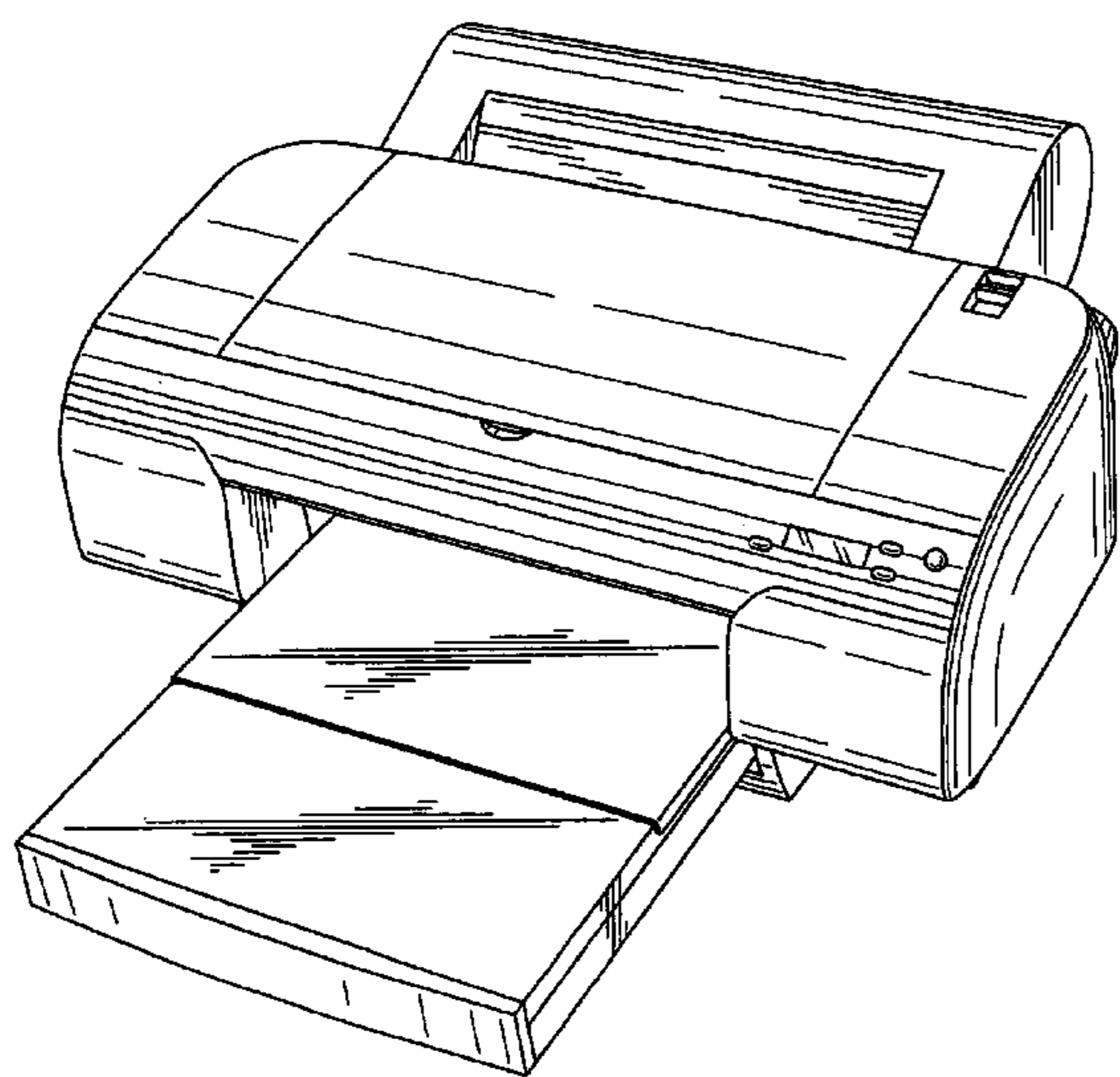


FIG. 1

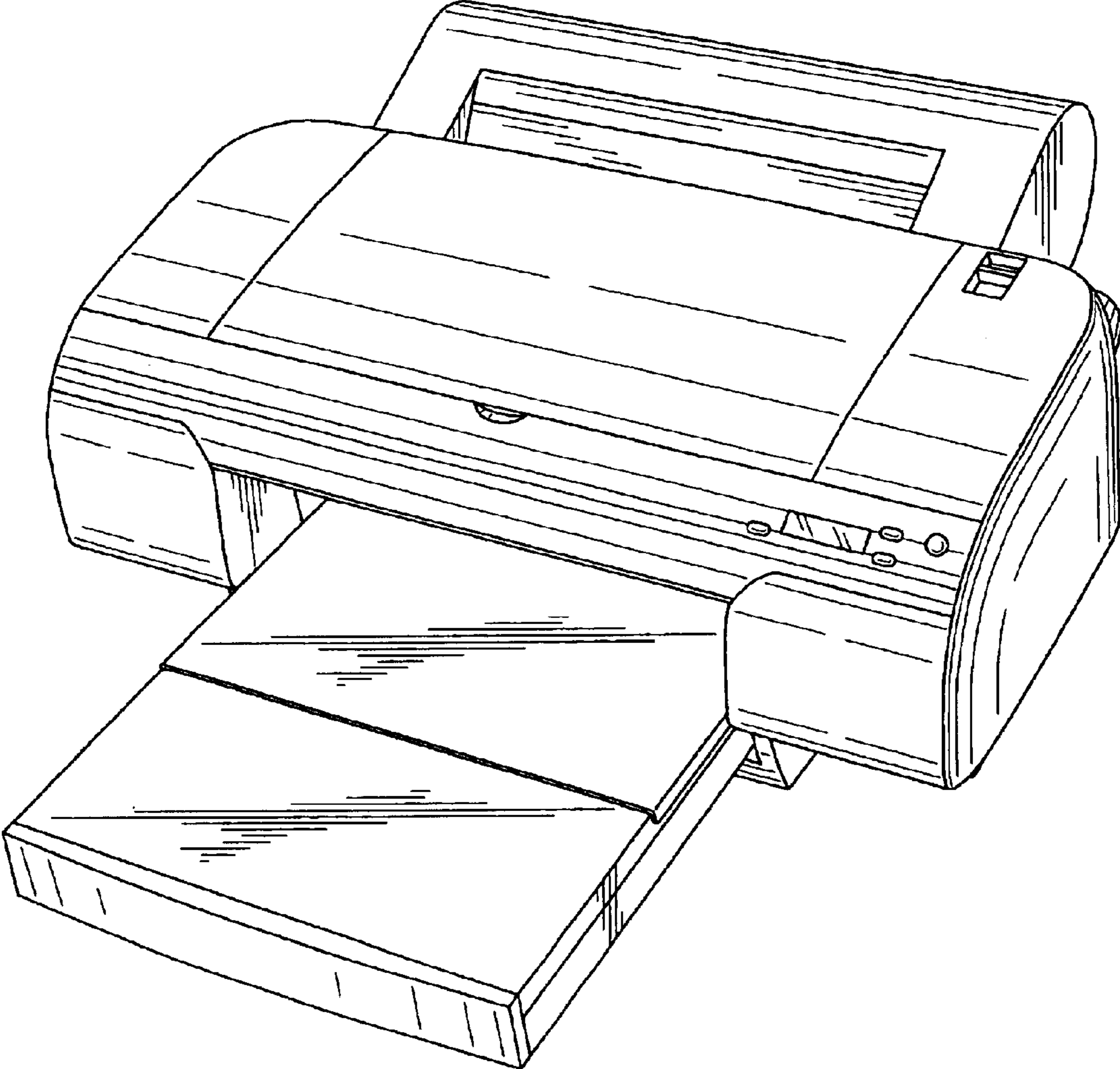


FIG. 2

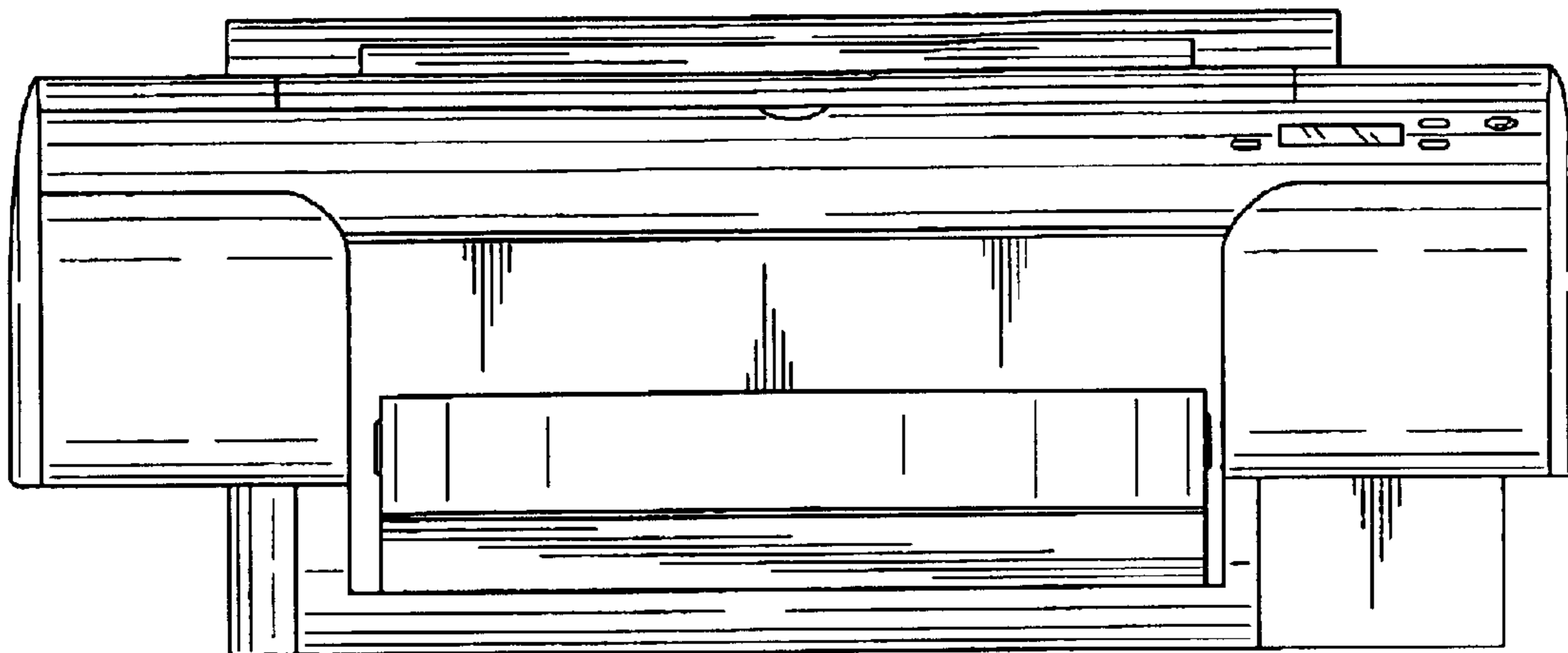


FIG. 3

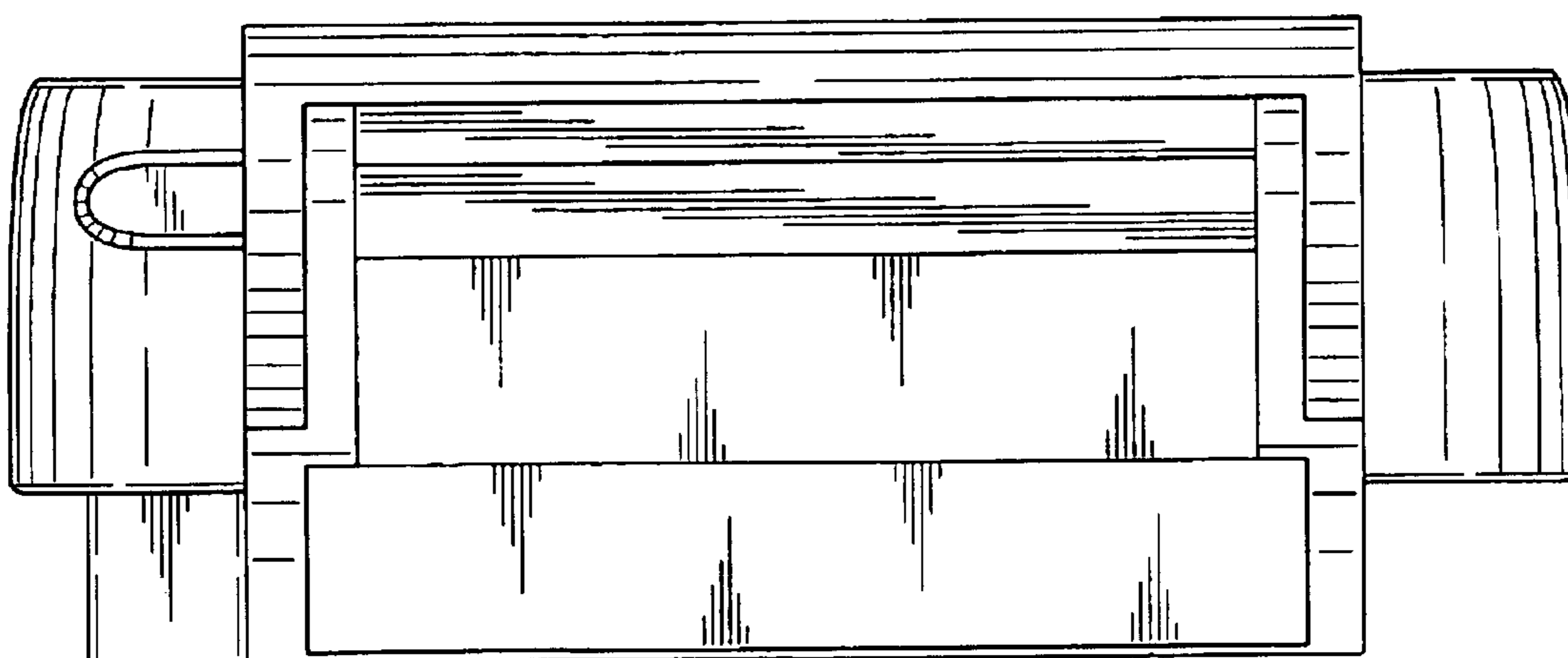


FIG. 4

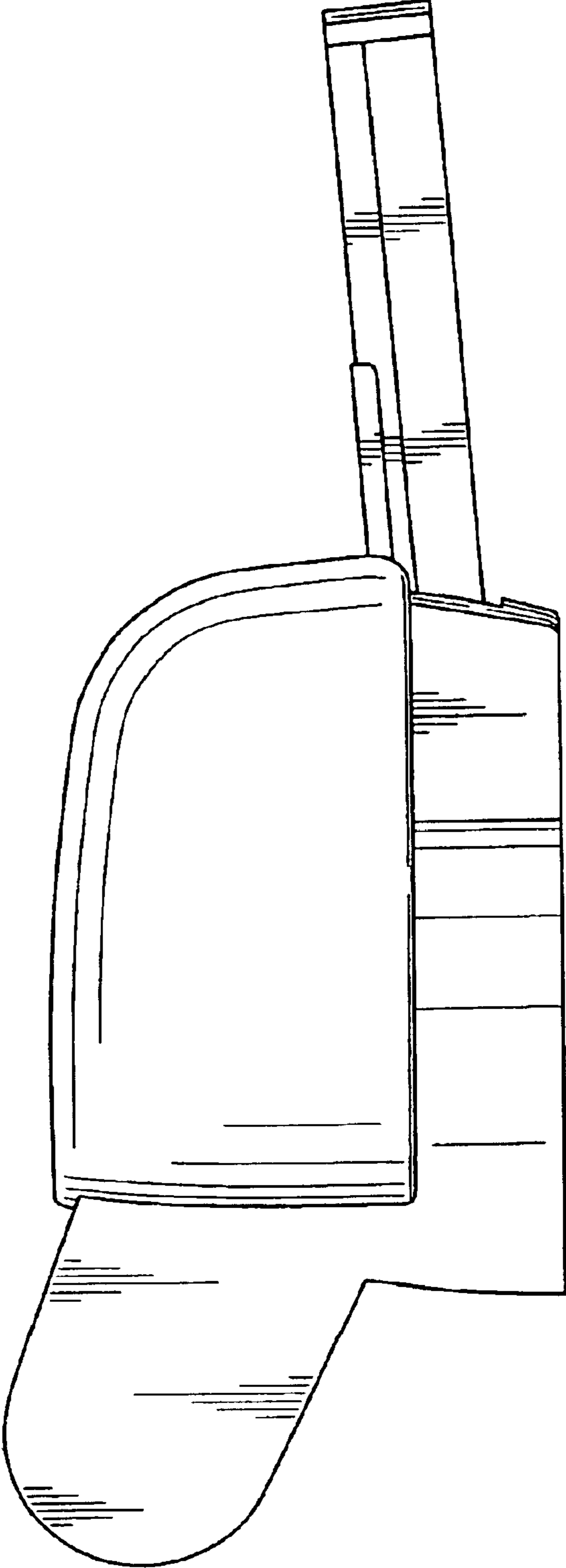


FIG. 5

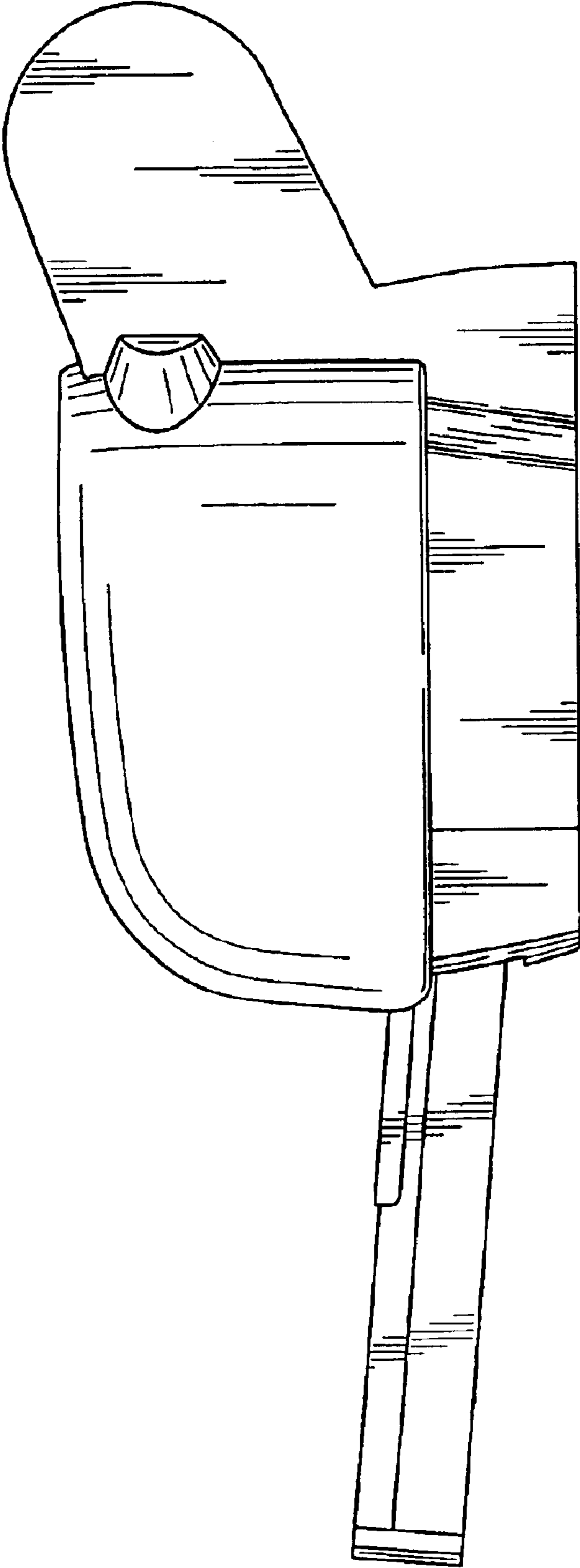


FIG. 6

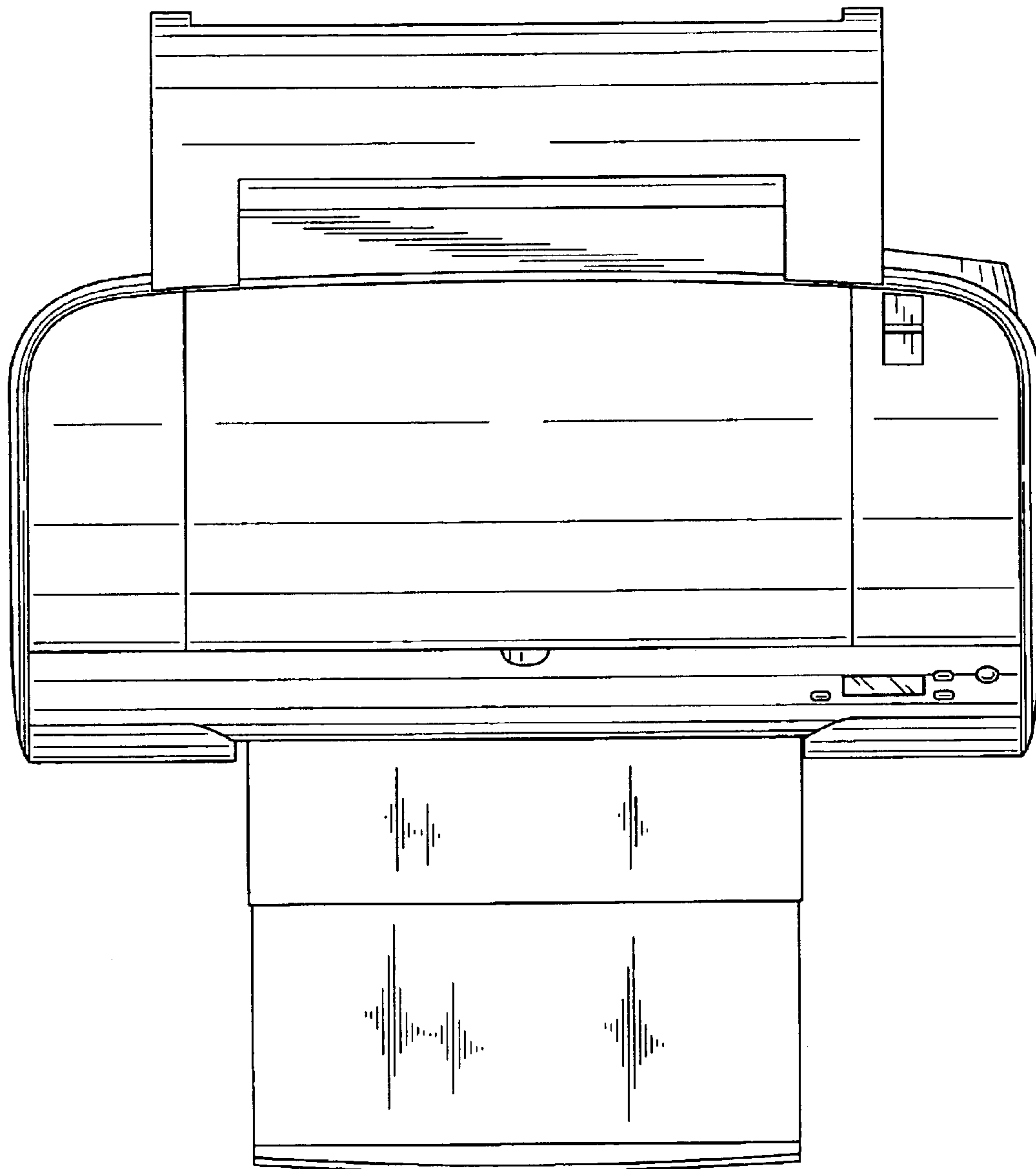


FIG. 7

