



US00D516118S

(12) **United States Design Patent**
Faber

(10) **Patent No.:** **US D516,118 S**

(45) **Date of Patent:** **** Feb. 28, 2006**

(54) **STAMP**

(76) **Inventor:** **Ernst Faber**, Paracelsus-Strasse 19,
A-4600 Wels (AT)

(**) **Term:** **14 Years**

(21) **Appl. No.:** **29/213,569**

(22) **Filed:** **Sep. 20, 2004**

(51) **LOC (8) Cl.** **19-02**

(52) **U.S. Cl.** **D18/18**

(58) **Field of Classification Search** D18/15-18,
D18/50; 101/333-334, 327, 405-406, 328,
101/352.07; 118/264, 268

See application file for complete search history.

6,761,114 B1 * 7/2004 Koneczny et al. 101/333
D495,732 S * 9/2004 Treml D18/15
D497,936 S * 11/2004 Kida et al. D18/15

FOREIGN PATENT DOCUMENTS

GB 2037150 7/1980
GB 2058303 4/1981
GB 2058625 4/1981
GB 2106245 4/1983

* cited by examiner

Primary Examiner—Charles A. Rademaker

(74) *Attorney, Agent, or Firm*—Baker Botts L.L.P.

(57) **CLAIM**

The ornamental design for a stamp, as shown and described.

(56) **References Cited**

U.S. PATENT DOCUMENTS

D372,729 S * 8/1996 Hewitt D18/18
D389,515 S 1/1998 Van Swieten D19/36
5,727,467 A * 3/1998 Skopek 101/334
5,765,484 A * 6/1998 Lam 101/327
D427,233 S * 6/2000 Faber D18/15
D444,808 S * 7/2001 Dour et al. D18/15
D451,945 S * 12/2001 MacNeil et al. D18/15
D451,946 S 12/2001 Faber D18/15
D493,191 S * 7/2004 Sculler et al. D18/15
D493,192 S * 7/2004 Sculler et al. D18/15

DESCRIPTION

FIG. 1 is a perspective view of a design for a stamp showing my new design;

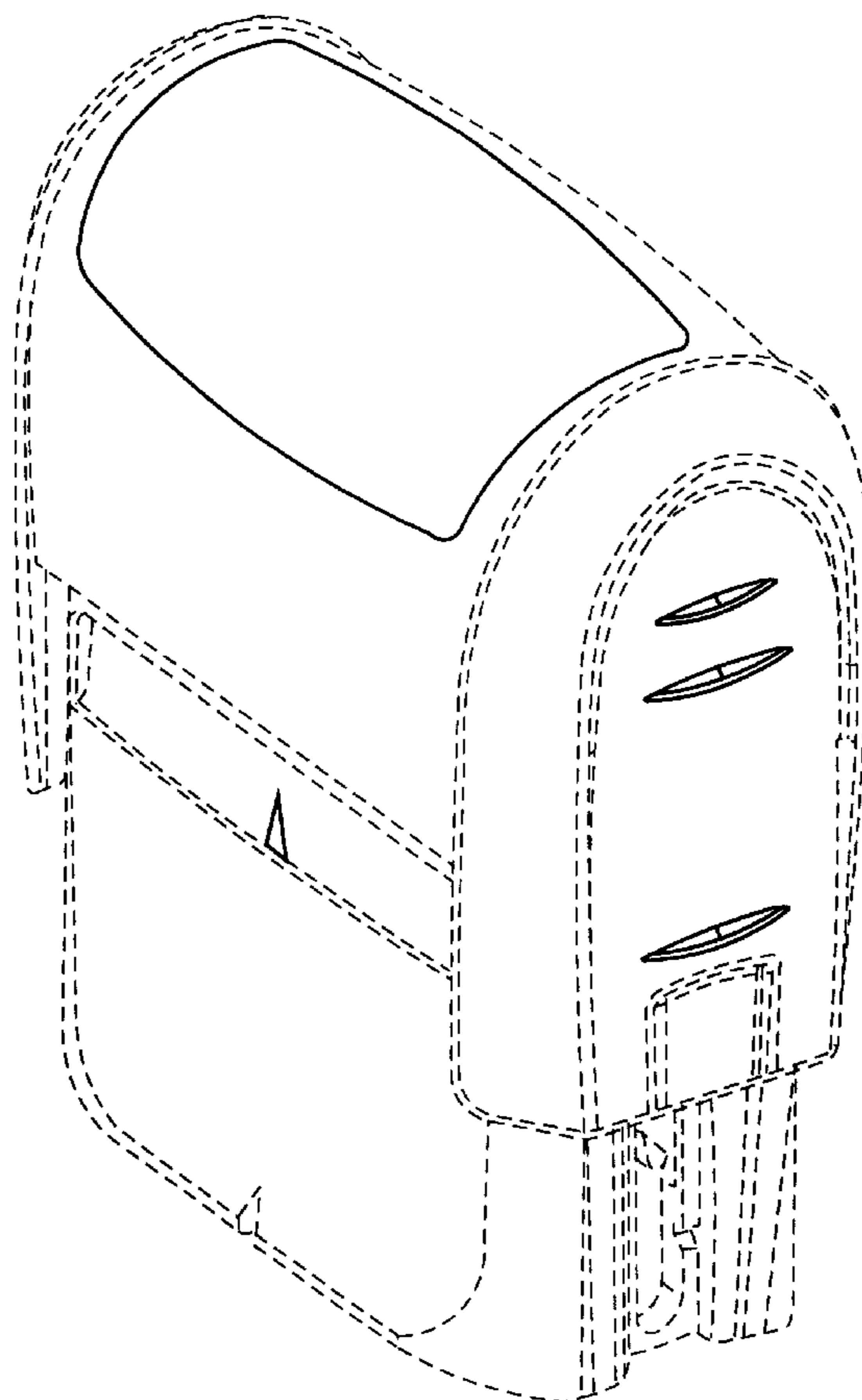
FIG. 2 is a front elevation thereof;

FIG. 3 is a top plan view thereof; and,

FIG. 4 is a side elevation thereof, the side opposite being a mirror image.

The broken lines are provided for illustrative purposes only, and form no part of the claimed design.

1 Claim, 4 Drawing Sheets



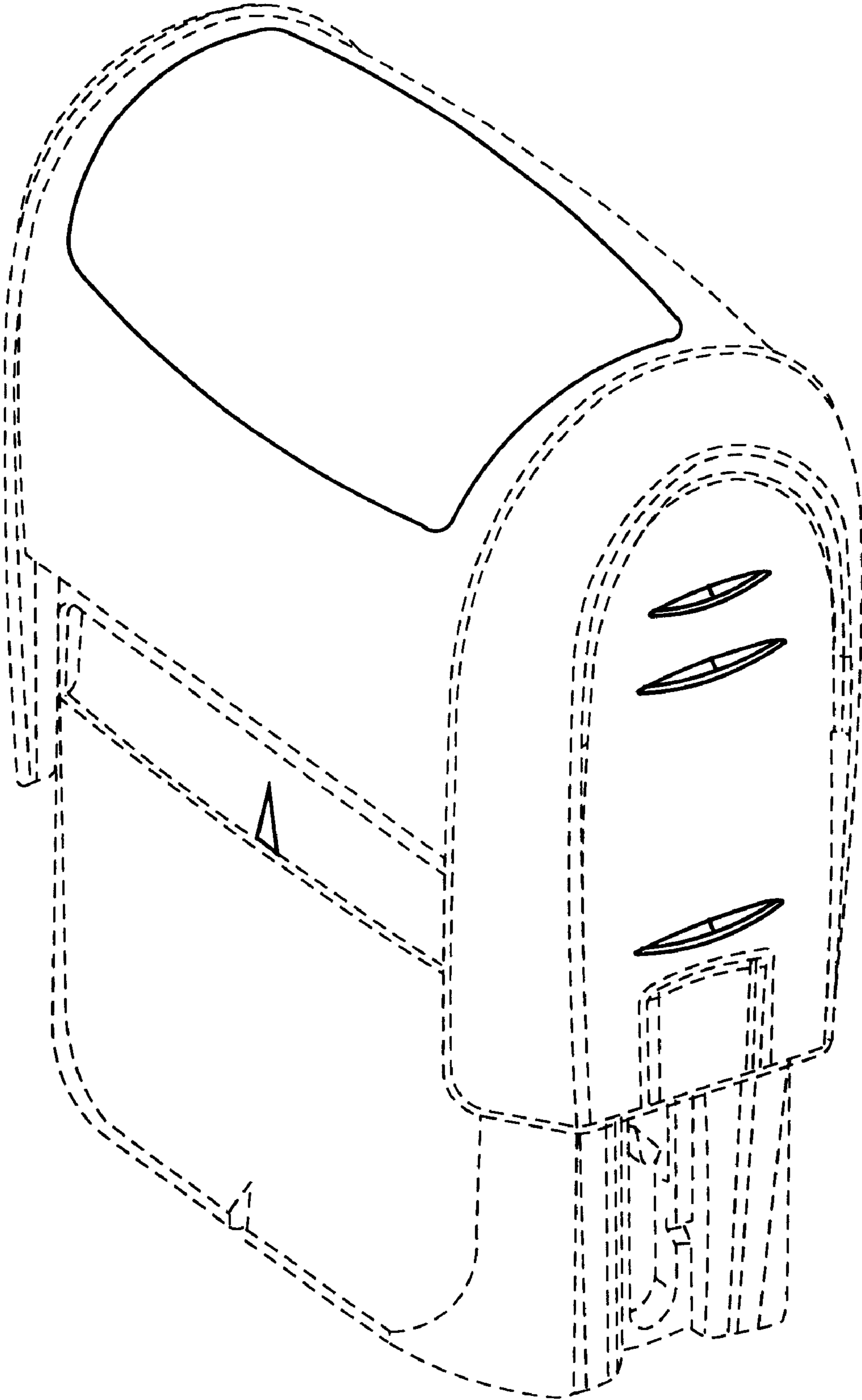


FIG. 1

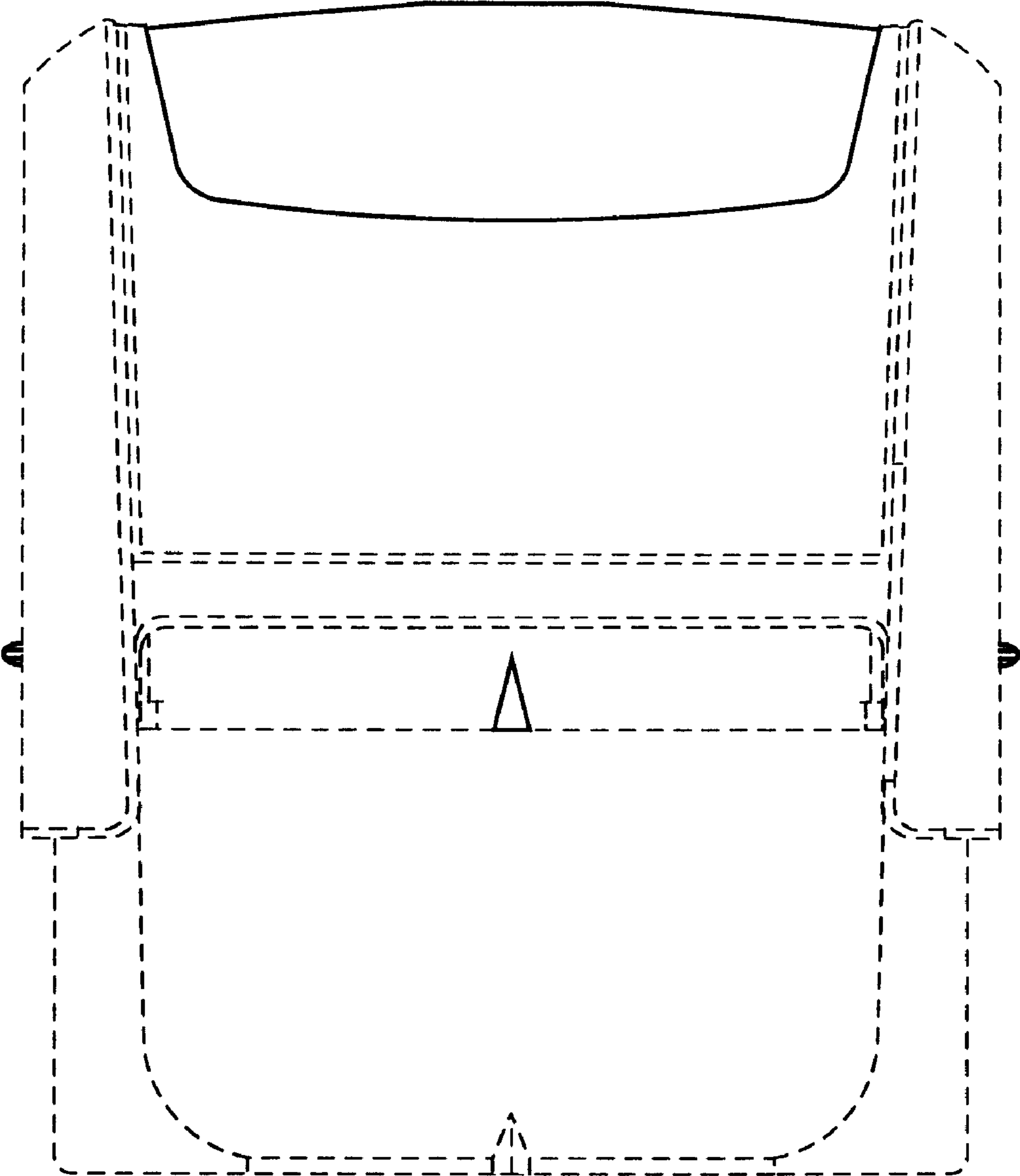


FIG. 2

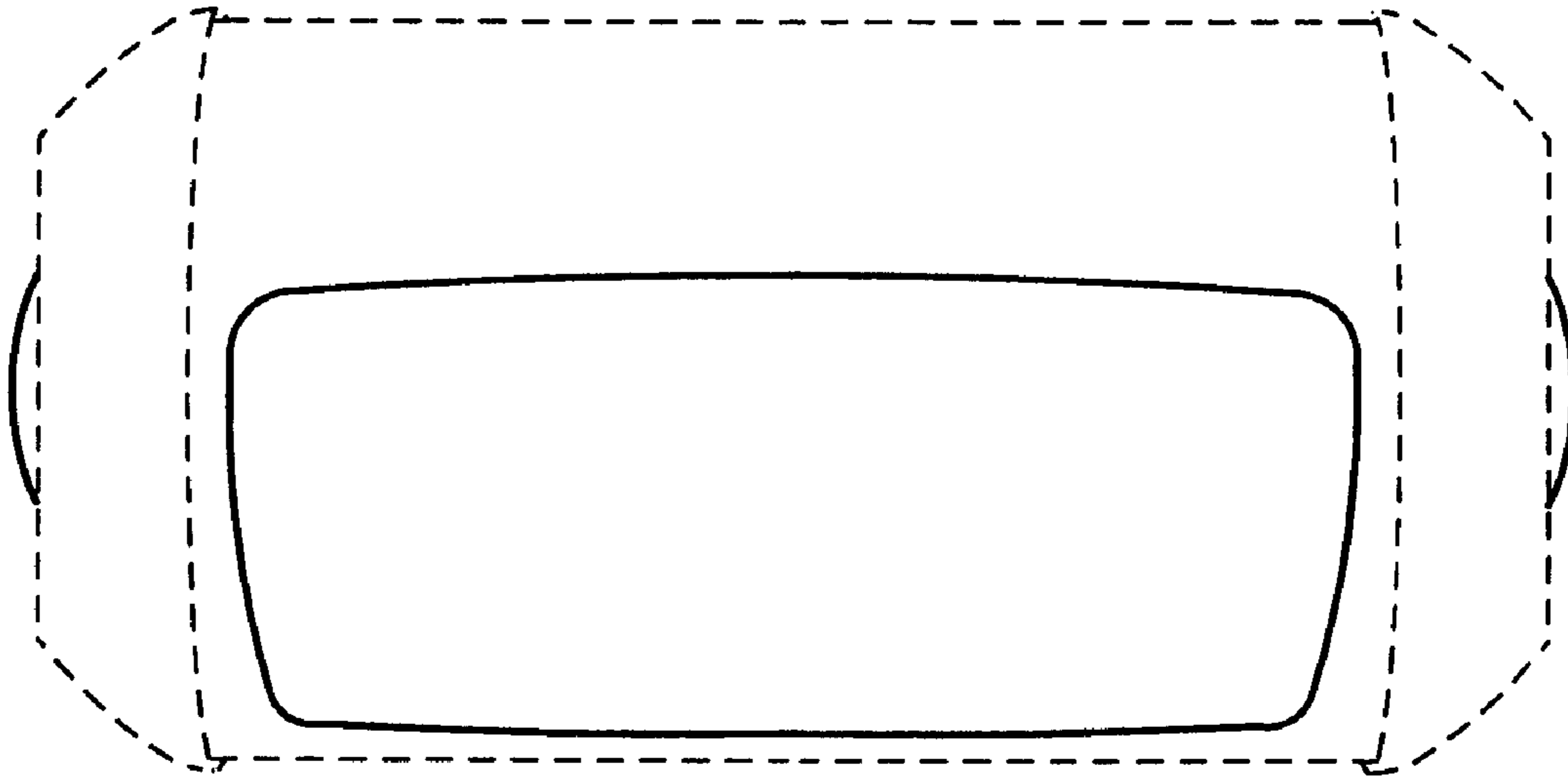


FIG. 3

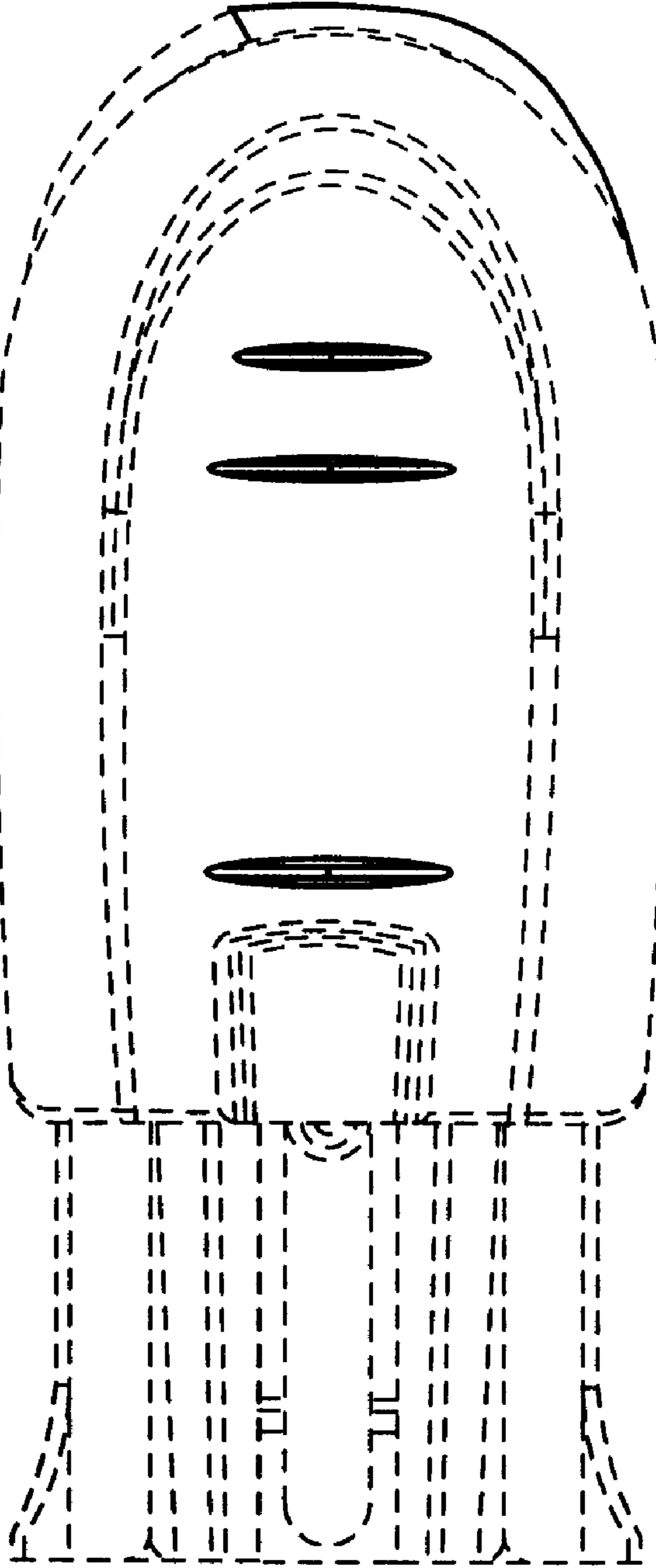


FIG. 4

UNITED STATES PATENT AND TRADEMARK OFFICE
CERTIFICATE OF CORRECTION

PATENT NO. : Des. 516,118 S
APPLICATION NO. : 29/213569
DATED : February 28, 2006
INVENTOR(S) : Ernst Faber

Page 1 of 1

It is certified that error appears in the above-identified patent and that said Letters Patent is hereby corrected as shown below:

ON THE TITLE PAGE:

INSERT ITEM (73),

-- "Assignee: **Colop Stempelerzeugung Skopek GmbH & Co. KG,**
Wels (AT)" --

Signed and Sealed this

Twenty-sixth Day of August, 2008



JON W. DUDAS

Director of the United States Patent and Trademark Office