



US00D516117S

(12) **United States Design Patent** (10) **Patent No.:** **US D516,117 S**  
**Shih** (45) **Date of Patent:** **\*\* Feb. 28, 2006**

(54) **SELF INKING STAMP**

2005/0061175 A1 \* 3/2005 Sculler ..... 101/333

(76) Inventor: **Shiny Shih**, No. 31, Lane 349,  
ChungCheng S. Rd., Yungkang City,  
Tainan Hsien (TW)

**FOREIGN PATENT DOCUMENTS**

GB 2065671 \* 2/1997  
GB 2091790 \* 11/2000  
GB 3011863 \* 4/2003

(\*\*) Term: **14 Years**

\* cited by examiner

(21) Appl. No.: **29/222,171**

*Primary Examiner*—Charles A. Rademaker

(22) Filed: **Jan. 26, 2005**

(74) *Attorney, Agent, or Firm*—Jackson Walker, LLP

(51) **LOC (8) Cl.** ..... **19-02**

(57) **CLAIM**

(52) **U.S. Cl.** ..... **D18/15**

The ornamental design for a self inking stamp, as shown and described.

(58) **Field of Classification Search** ..... D18/14,  
D18/15, 16, 17, 19, 99; 101/327, 333, 334,  
101/368, 371, 379, 405; 118/264, 268

**DESCRIPTION**

See application file for complete search history.

FIG. 1 is a perspective view of a self inking stamp, showing my new design;

(56) **References Cited**

**U.S. PATENT DOCUMENTS**

D176,581 S \* 1/1956 Albert ..... D18/15  
D240,966 S \* 8/1976 Funahashi ..... D18/15  
D421,452 S \* 3/2000 Pichler ..... D18/15  
D452,262 S \* 12/2001 MacNeil et al. .... D18/15  
D477,628 S \* 7/2003 Zambelli et al. .... D18/15  
D495,732 S \* 9/2004 Trembl ..... D18/15  
6,892,638 B2 \* 5/2005 Sculler ..... 101/333  
2005/0056173 A1 \* 3/2005 Dour ..... 101/333

FIG. 2 is a front view thereof;

FIG. 3 is a rear view thereof;

FIG. 4 is a left side view thereof;

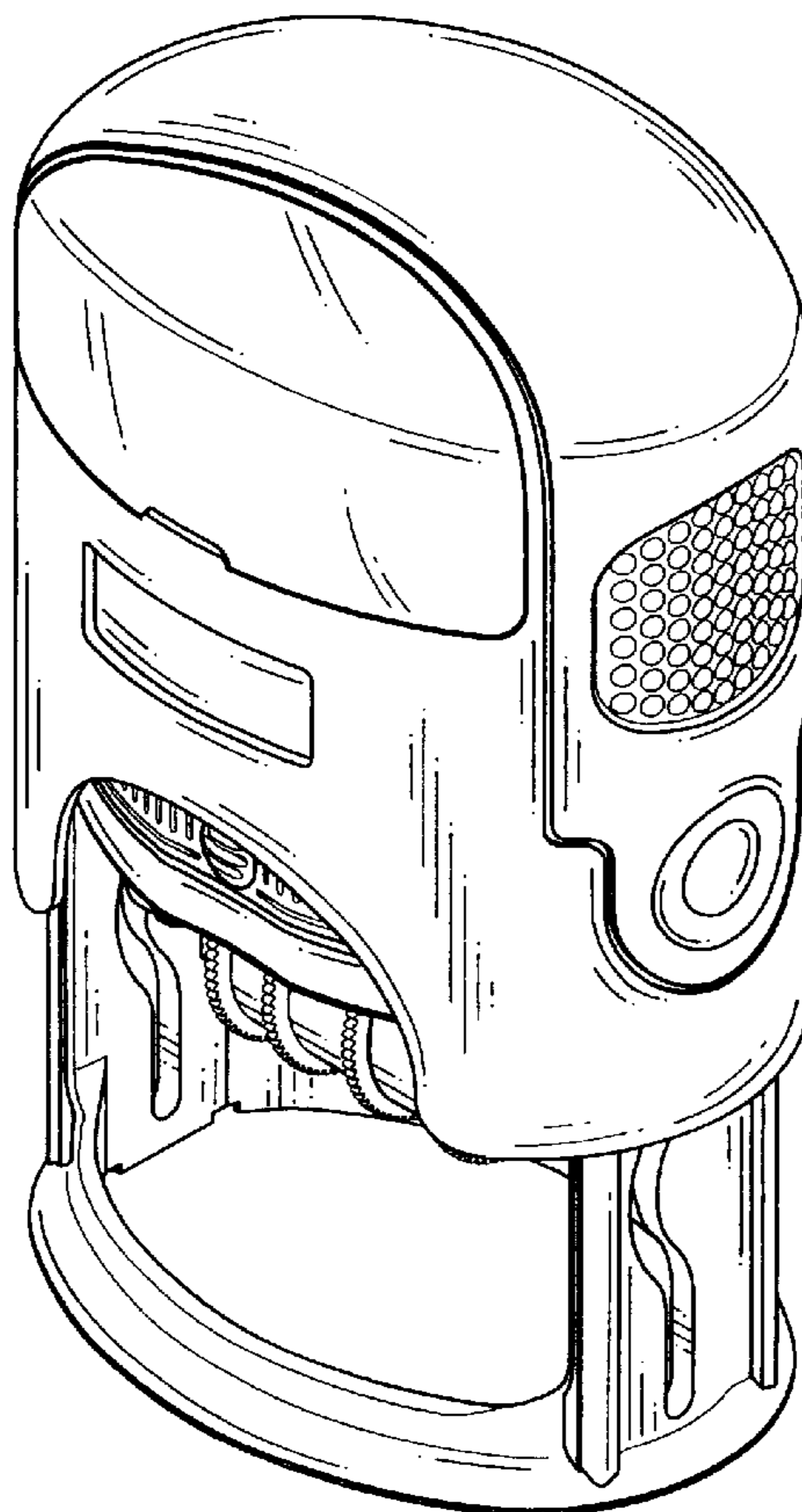
FIG. 5 is a right side view thereof;

FIG. 6 is a top view thereof;

FIG. 7 is a bottom view thereof; and,

FIG. 8 is a cross sectional front view thereof.

**1 Claim, 5 Drawing Sheets**



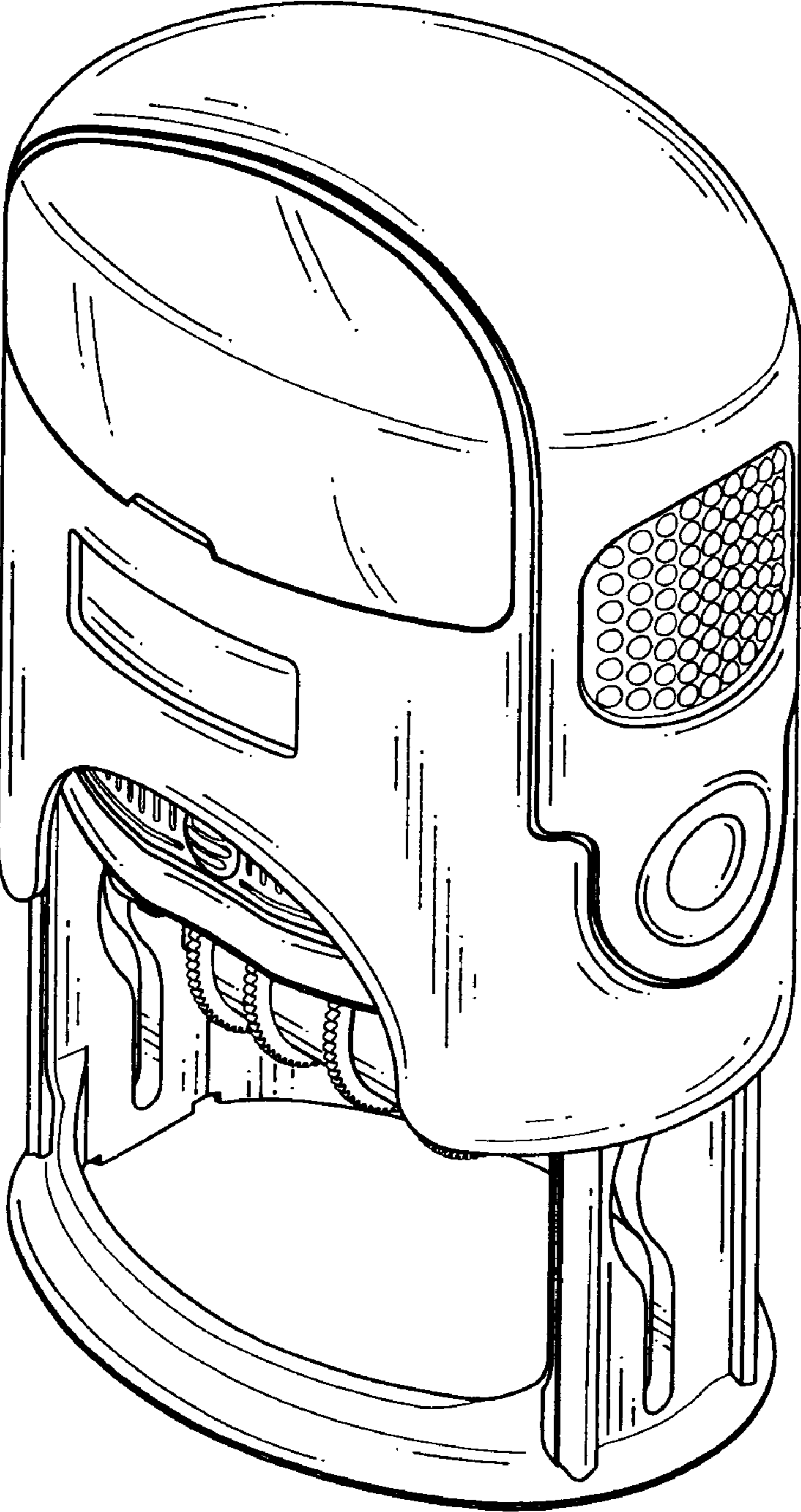


FIG. 1

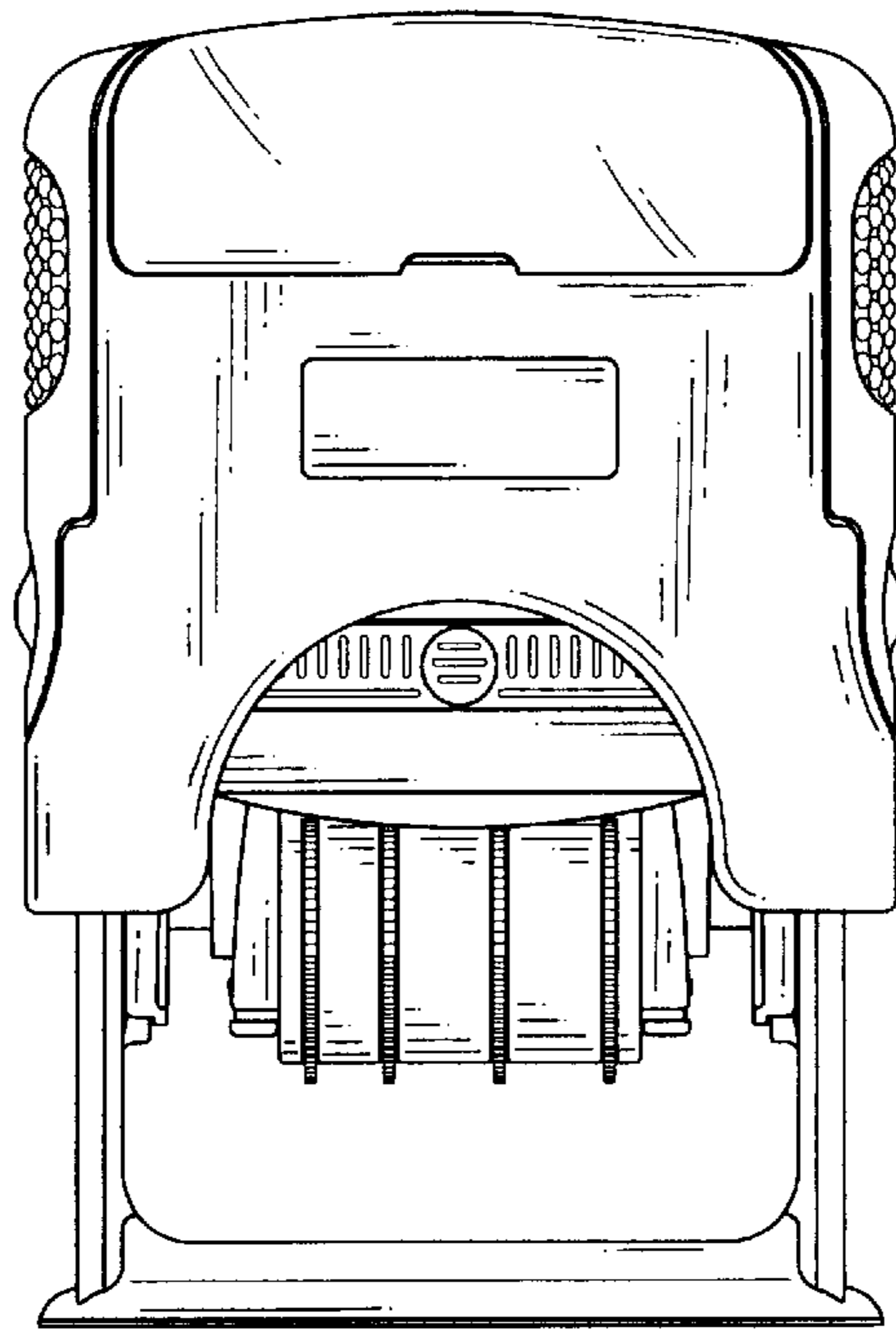


FIG. 2

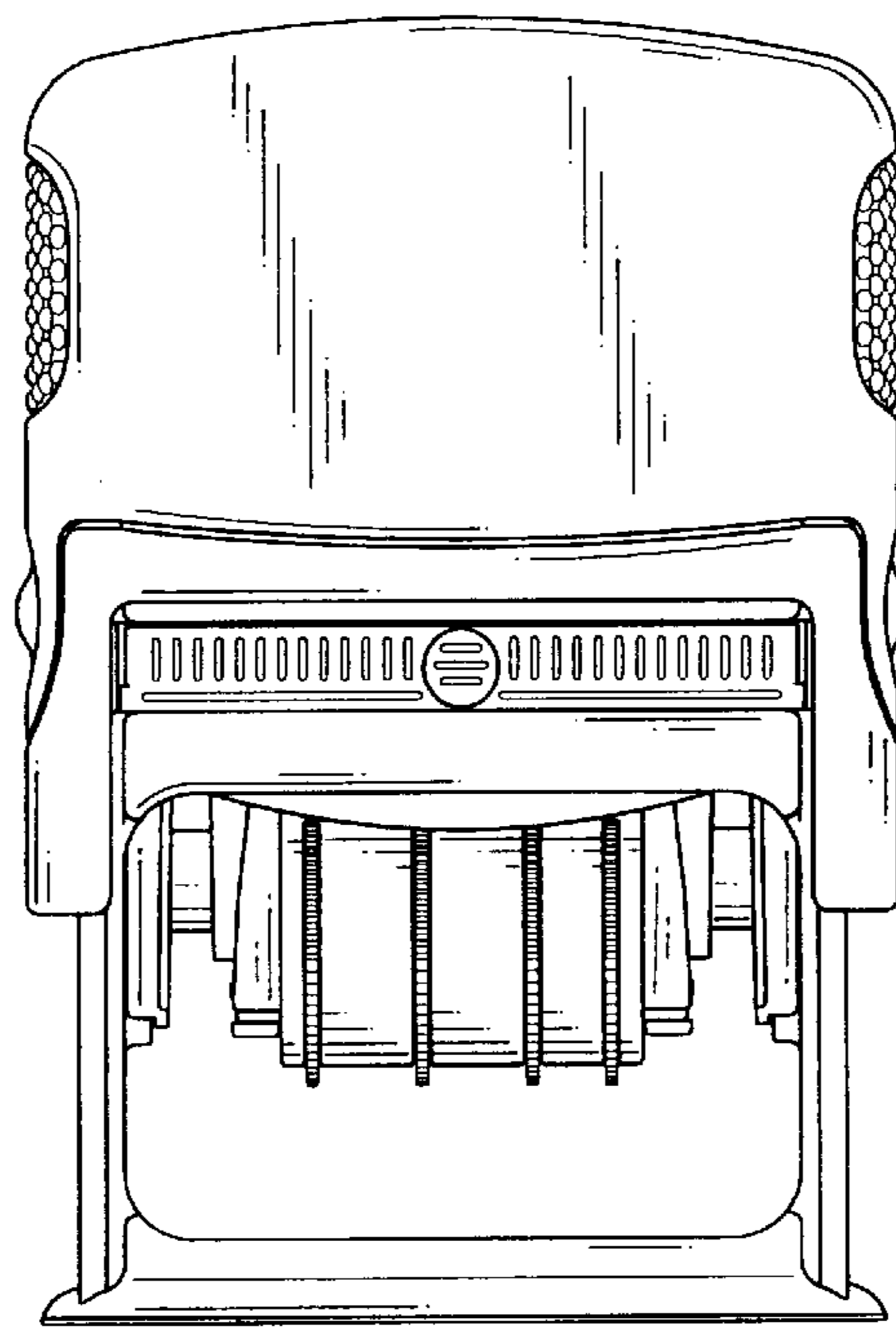


FIG. 3

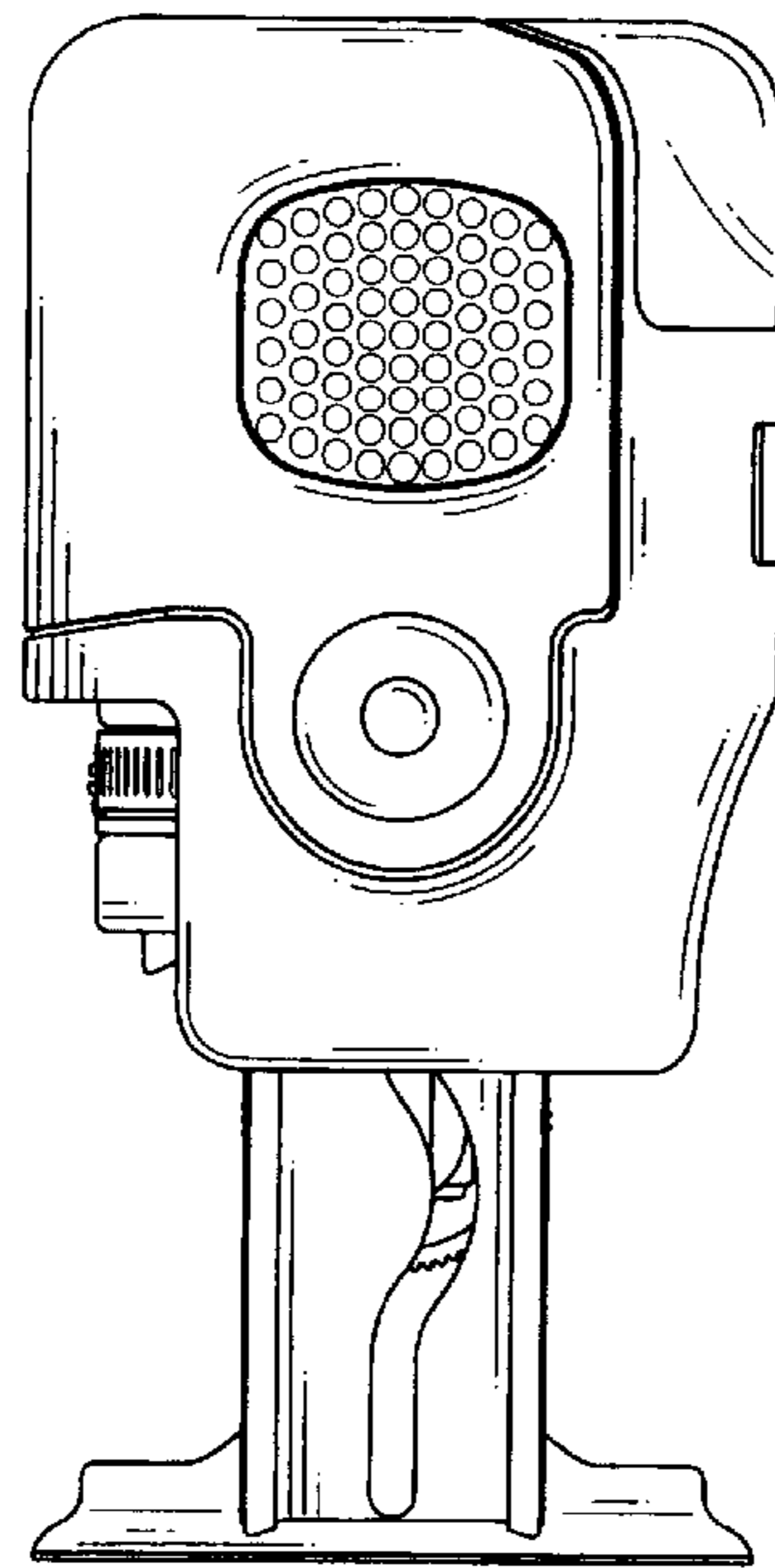


FIG. 4

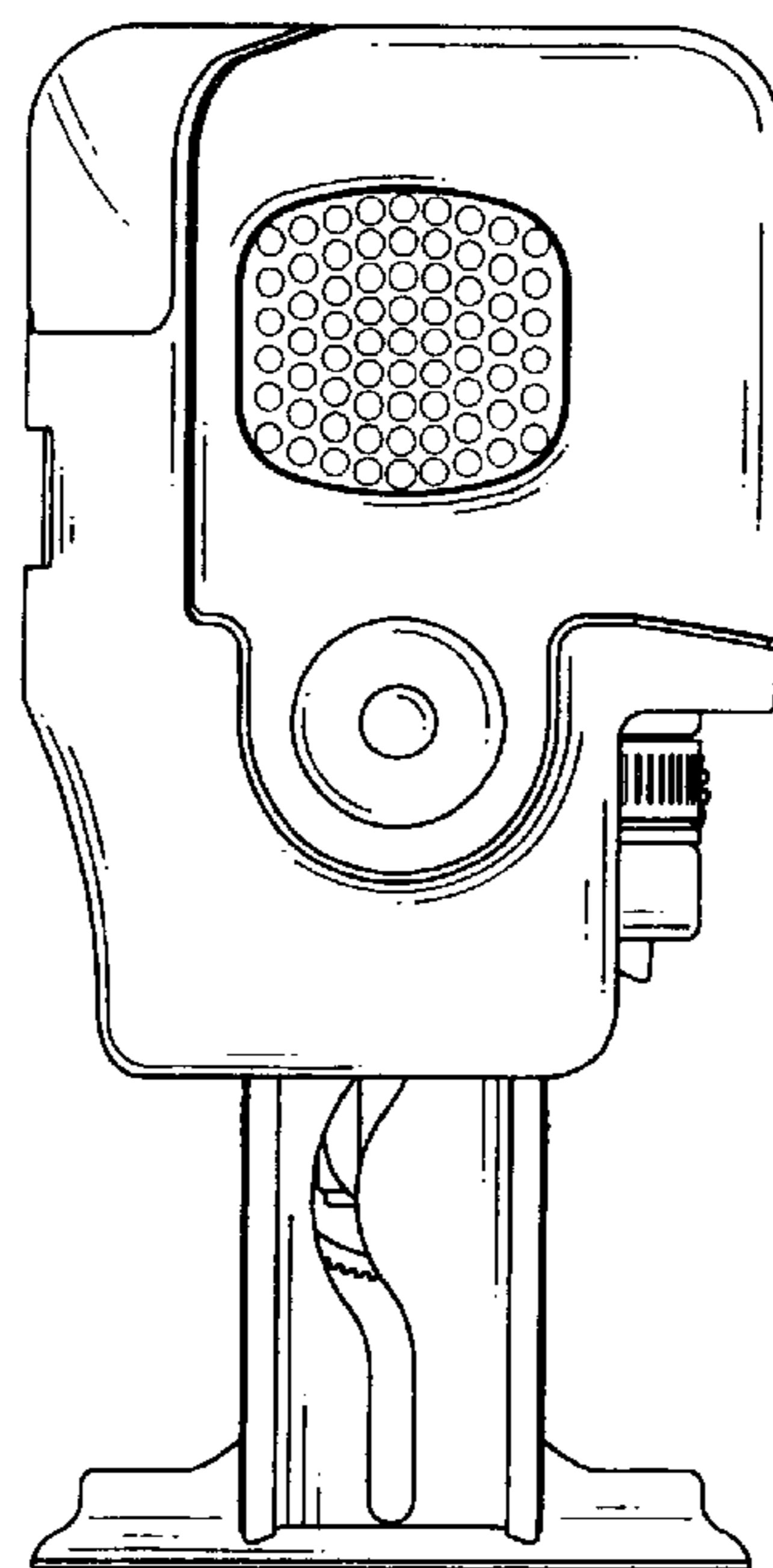


FIG. 5

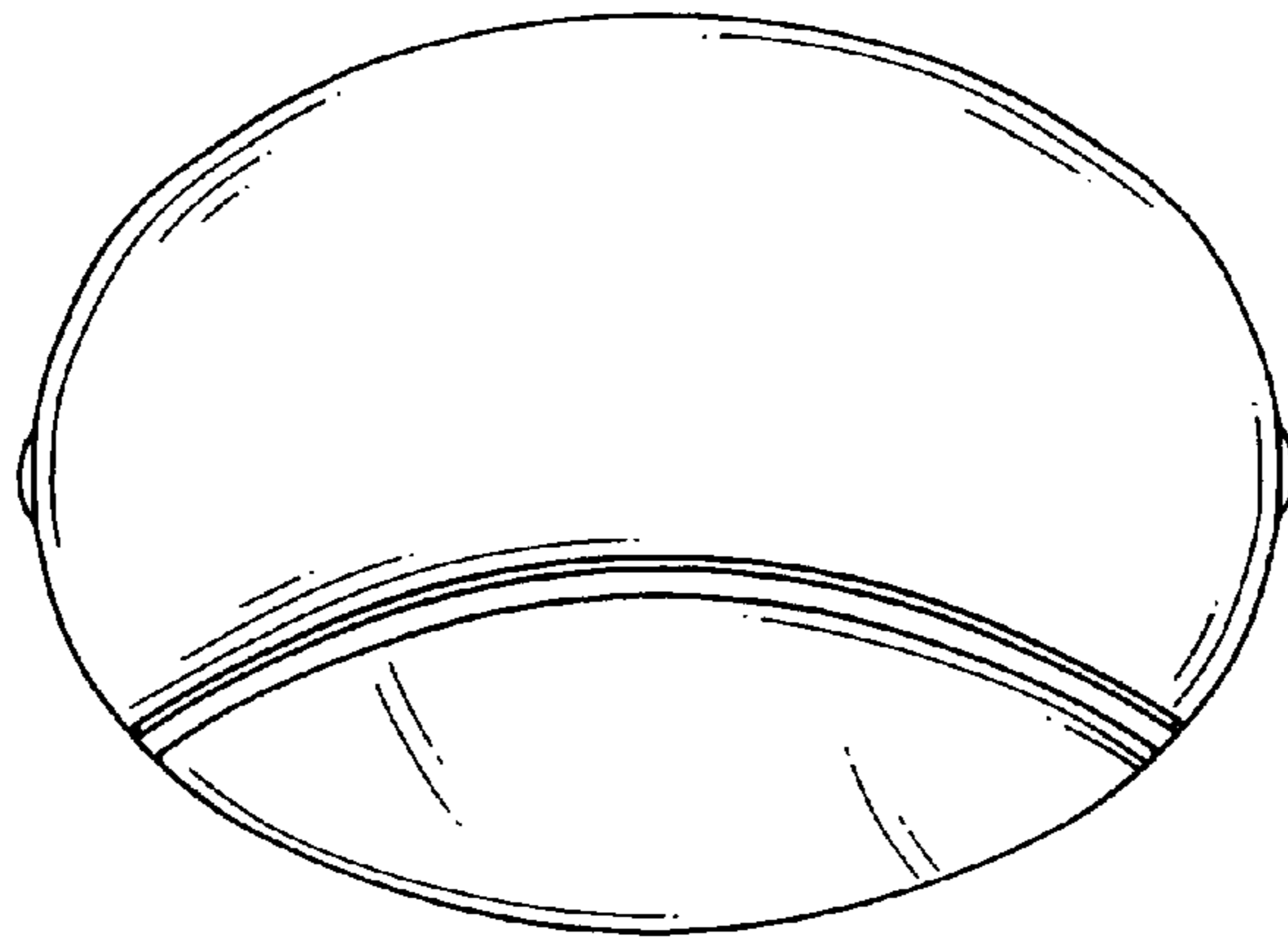


FIG. 6

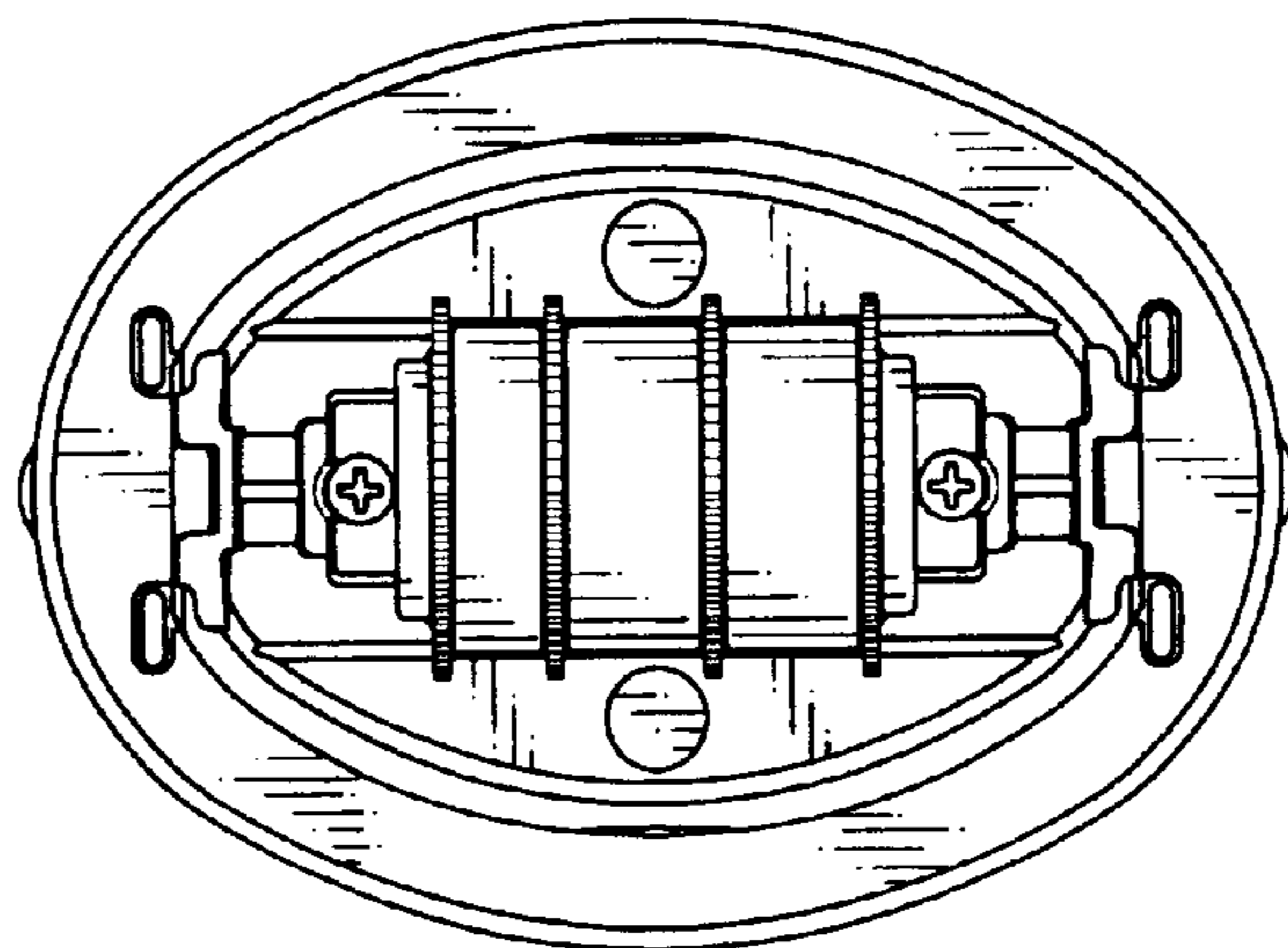


FIG. 7



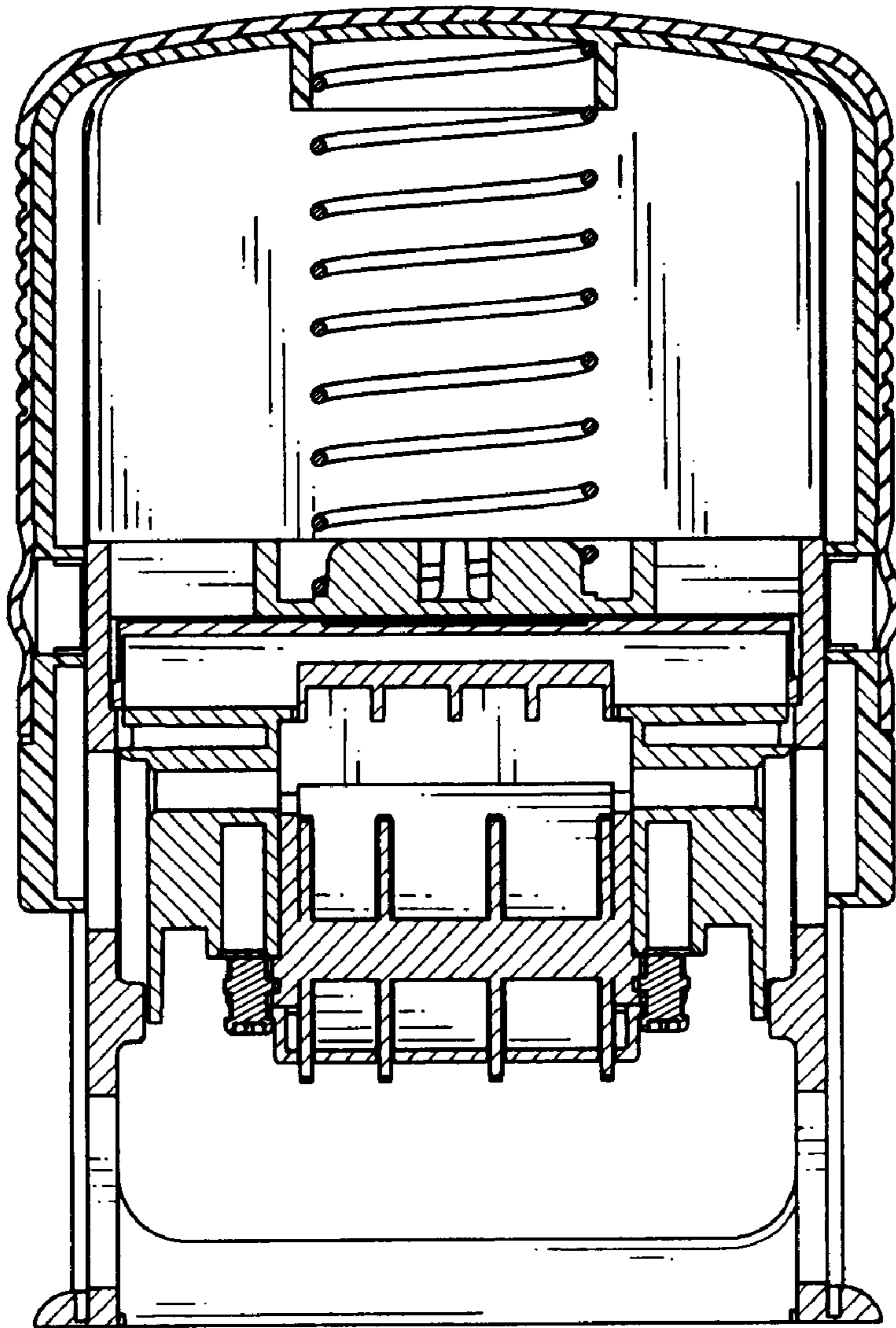


FIG. 8