



US00D516114S

(12) **United States Design Patent**
Leach

(10) **Patent No.:** **US D516,114 S**
(45) **Date of Patent:** **** Feb. 28, 2006**

(54) **FOLDABLE GUITAR NECK**

(76) Inventor: **Harvey Leach**, 14281 Bertino Rd.,
Grass Valley, CA (US) 95945

(**) Term: **14 Years**

(21) Appl. No.: **29/203,697**

(22) Filed: **Apr. 15, 2004**

(51) **LOC (8) Cl.** **17-03**

(52) **U.S. Cl.** **D17/20**

(58) **Field of Classification Search** D17/14,
D17/15, 18-20, 99; 84/267, 290, 291-293
See application file for complete search history.

(56) **References Cited**

U.S. PATENT DOCUMENTS

4,432,267	A *	2/1984	Feller	84/293
4,803,906	A *	2/1989	Fender	84/293
D327,288	S *	6/1992	Oreo	D17/99
5,353,672	A *	10/1994	Stewart	84/291
5,949,005	A *	9/1999	Peterson	84/291
6,894,209	B1 *	5/2005	Holler	84/291

* cited by examiner

Primary Examiner—Adir Aronovich

(74) *Attorney, Agent, or Firm*—Bernhard Kreten;
Weintraub Genshlea Chediak

(57) **CLAIM**

The ornamental design for a foldable guitar neck, as shown and described.

DESCRIPTION

FIG. 1 is a perspective view of a foldable guitar neck showing my new design in one possible environment.

FIG. 2 is an enlarged perspective view thereof, the guitar neck being in an unfolded position.

FIG. 3 is a top view.

FIG. 4 is an end view.

FIG. 5 is a right side view thereof, the undisclosed left side being a mirror image.

FIG. 6 is an opposite end view of that shown in FIG. 4.

FIG. 7 is a bottom view.

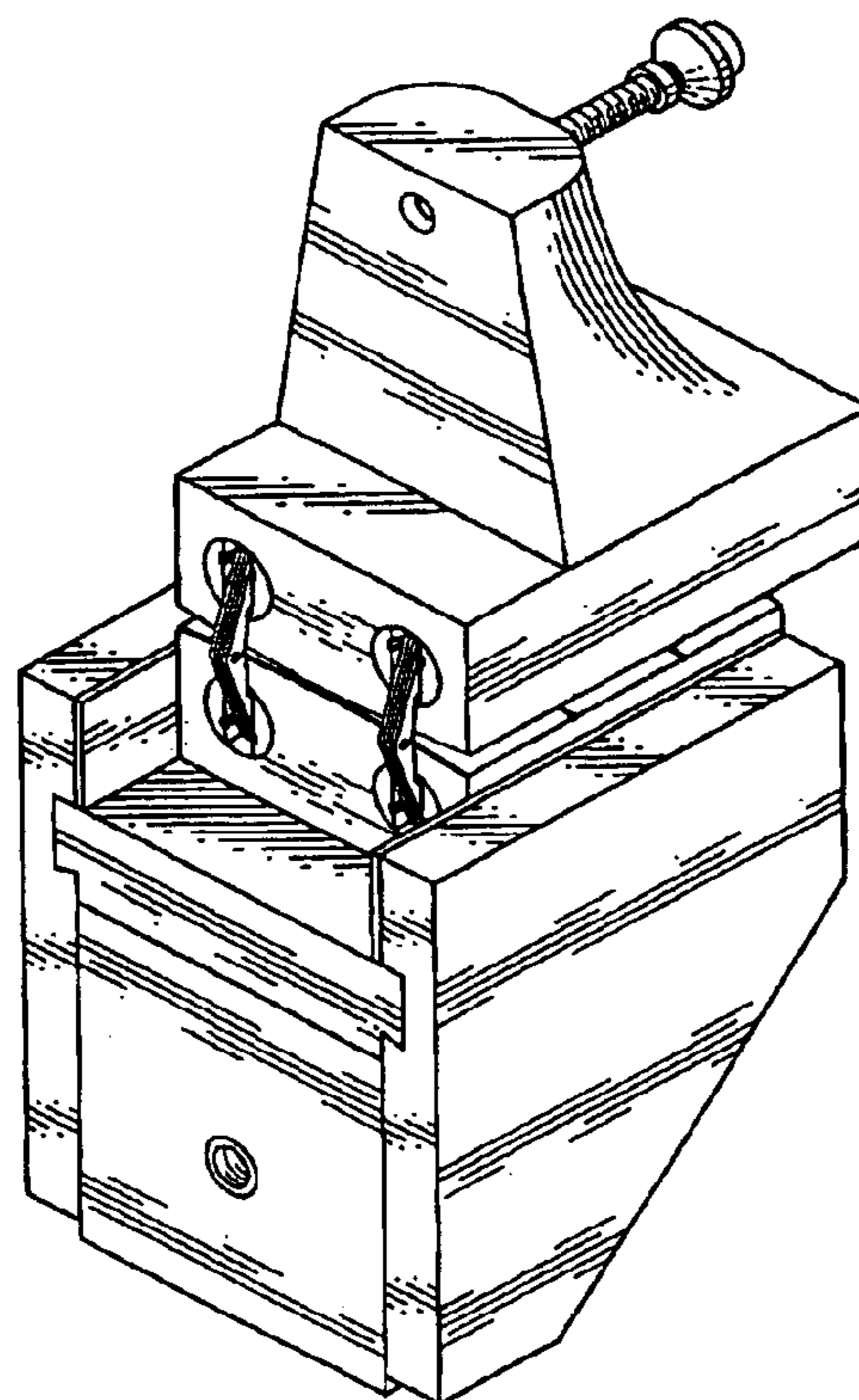
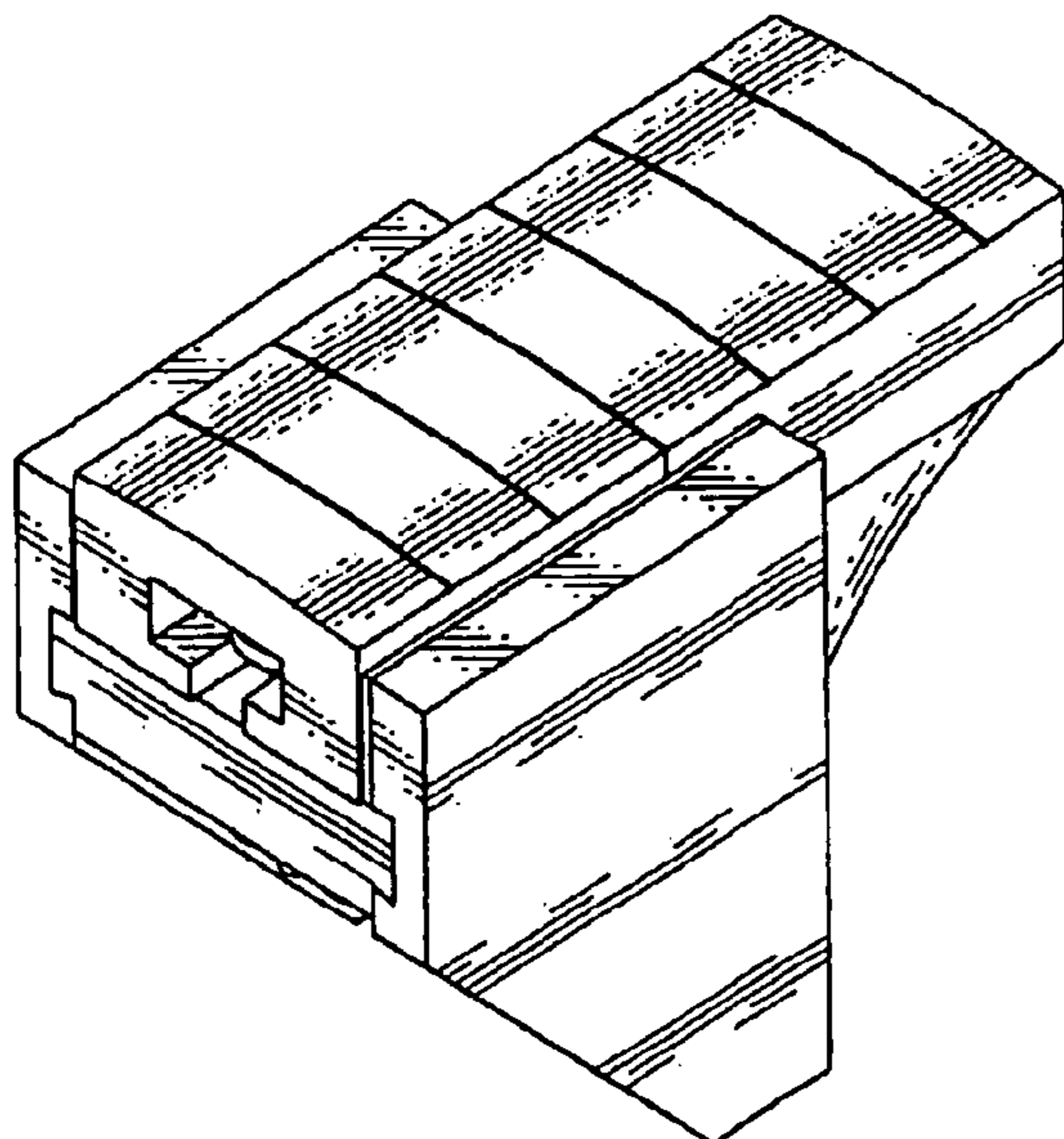
FIG. 8 is an enlarged right side view of a foldable guitar neck, the guitar neck being in a folded position.

FIG. 9 is perspective view thereof, the guitar neck being in a folded position; and,

FIG. 10 is a exploded perspective view.

The portions of the guitar body and neck in broken lines in FIGS. 1, 3, 5, 7 and 8 are illustrated to show environment only and form no part of the claimed design.

1 Claim, 3 Drawing Sheets



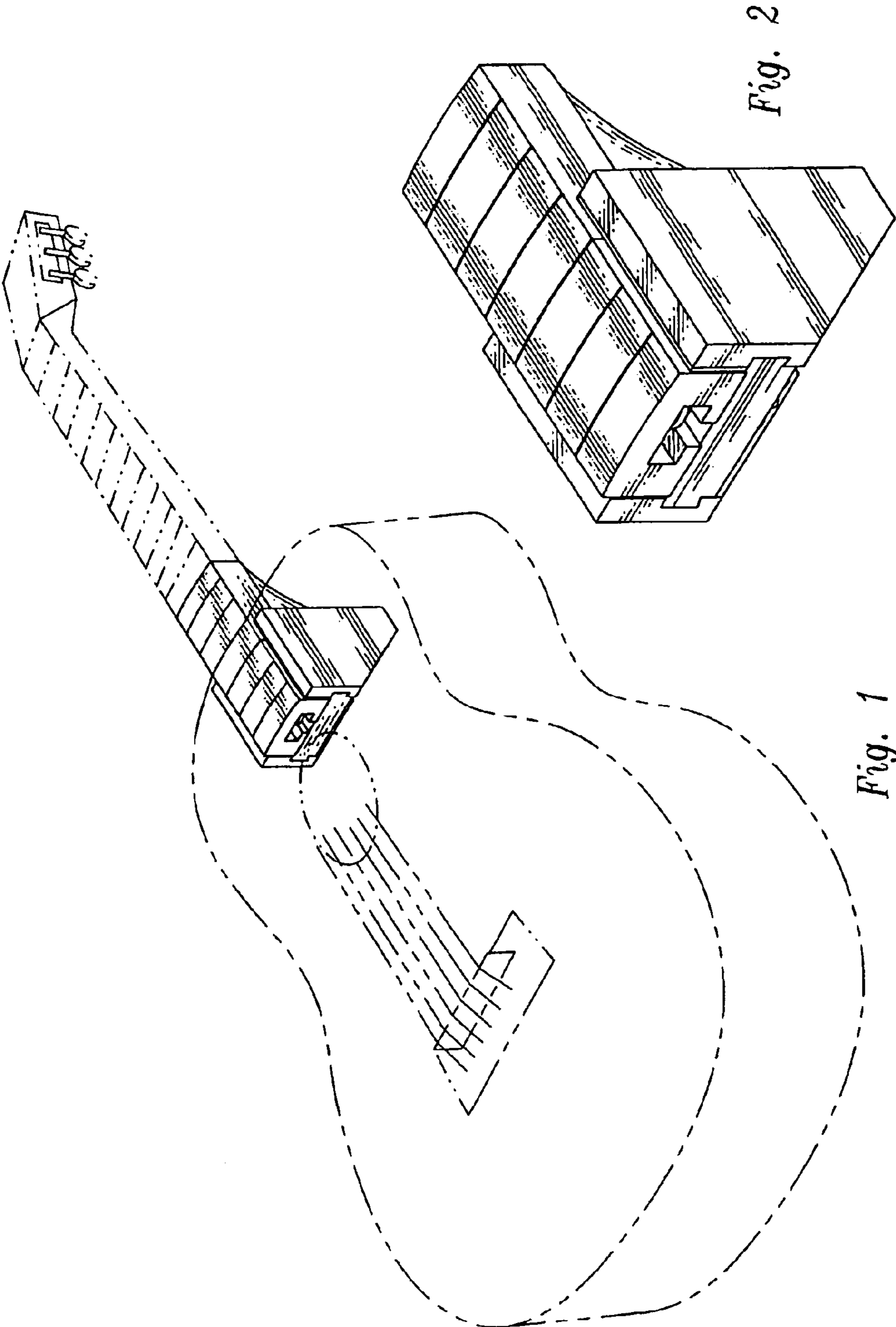


Fig. 2

Fig. 1

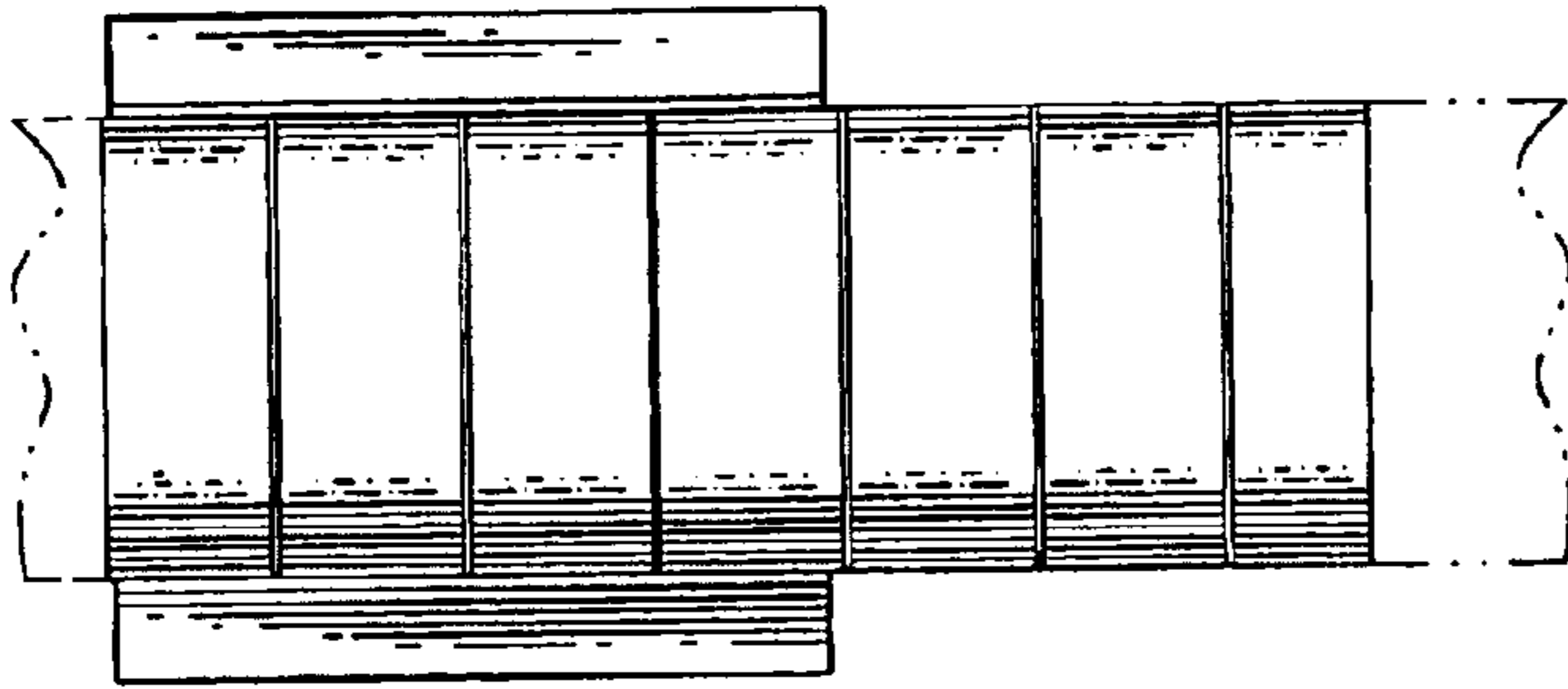


Fig. 3

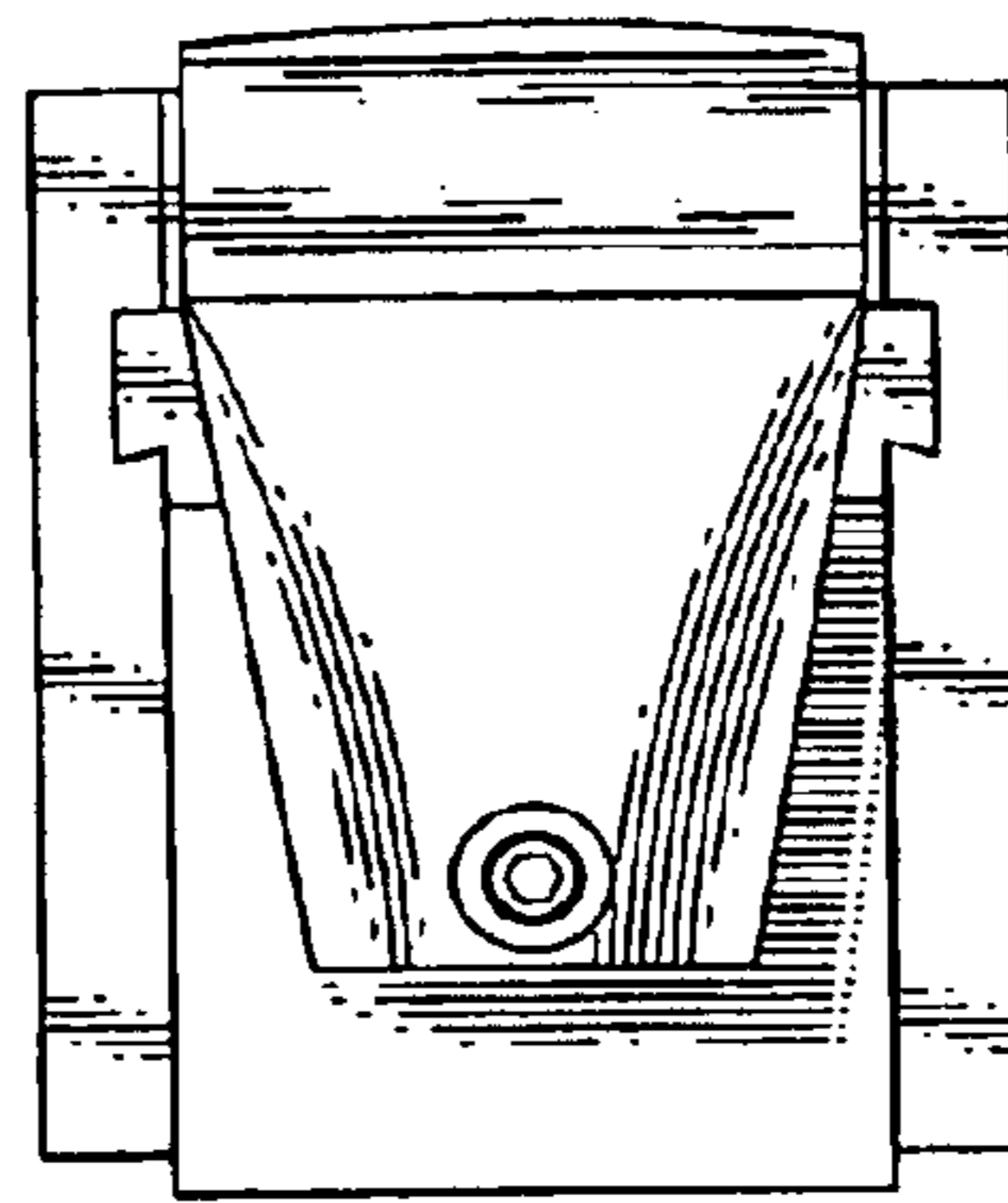


Fig. 4

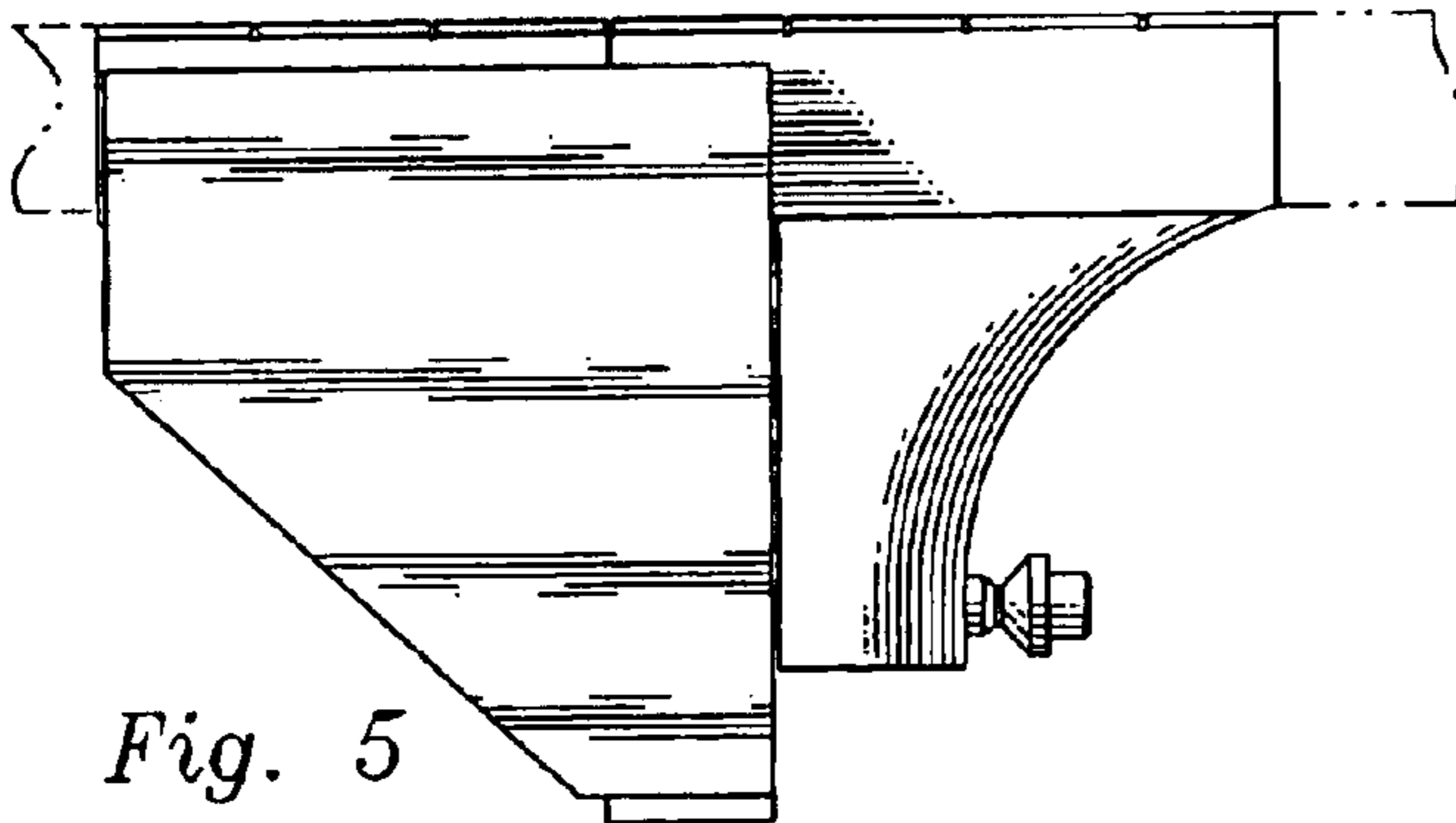


Fig. 5

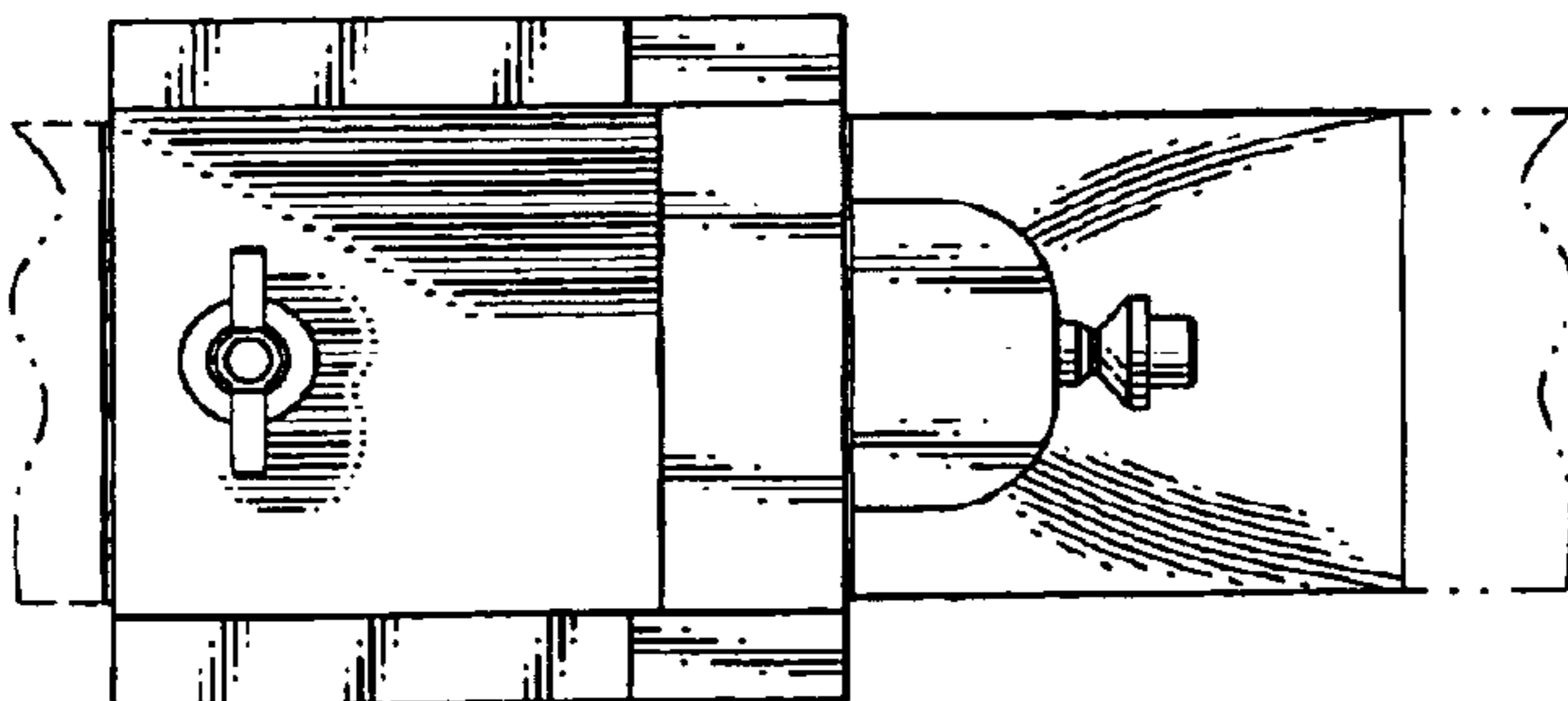


Fig. 7

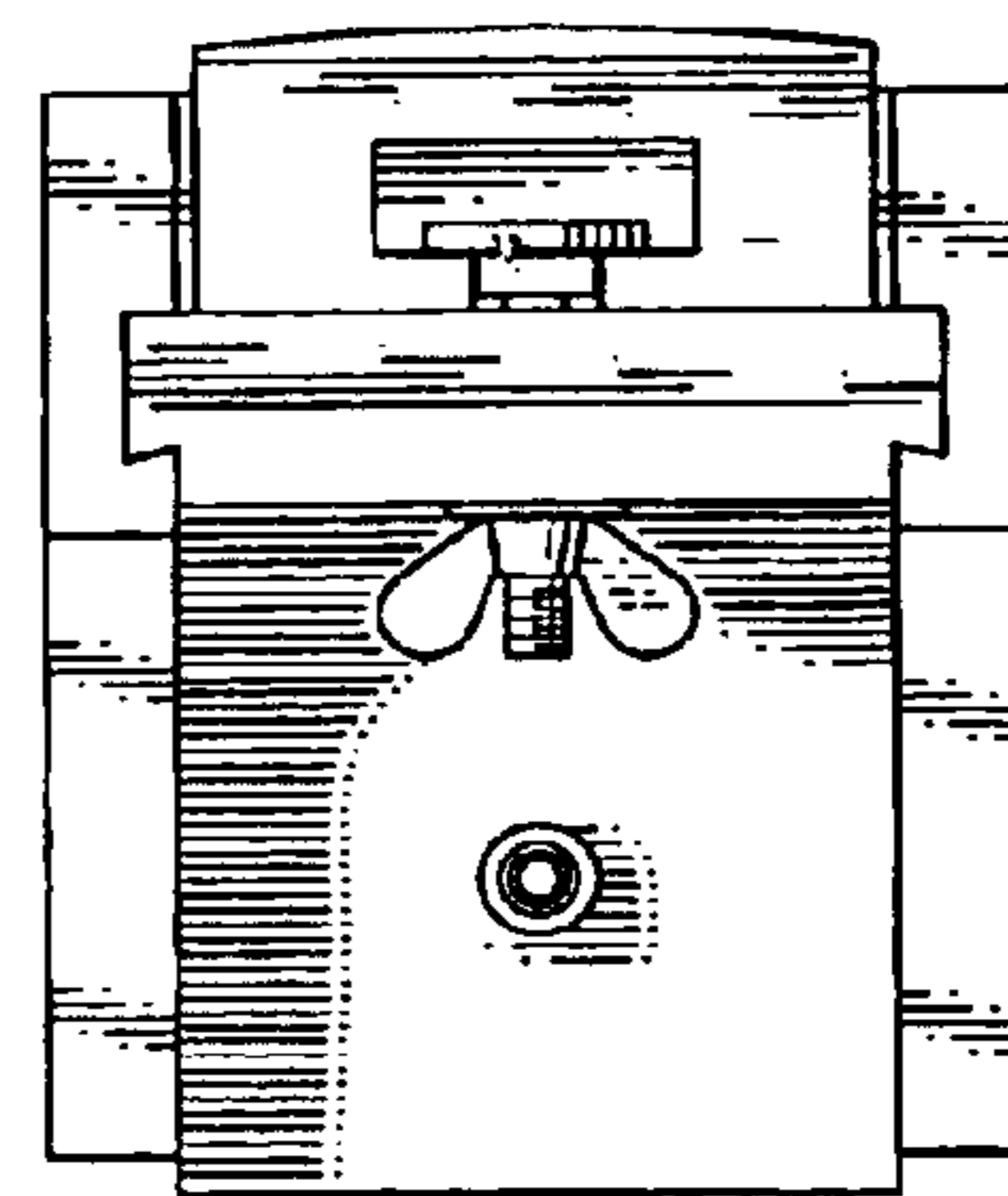


Fig. 6

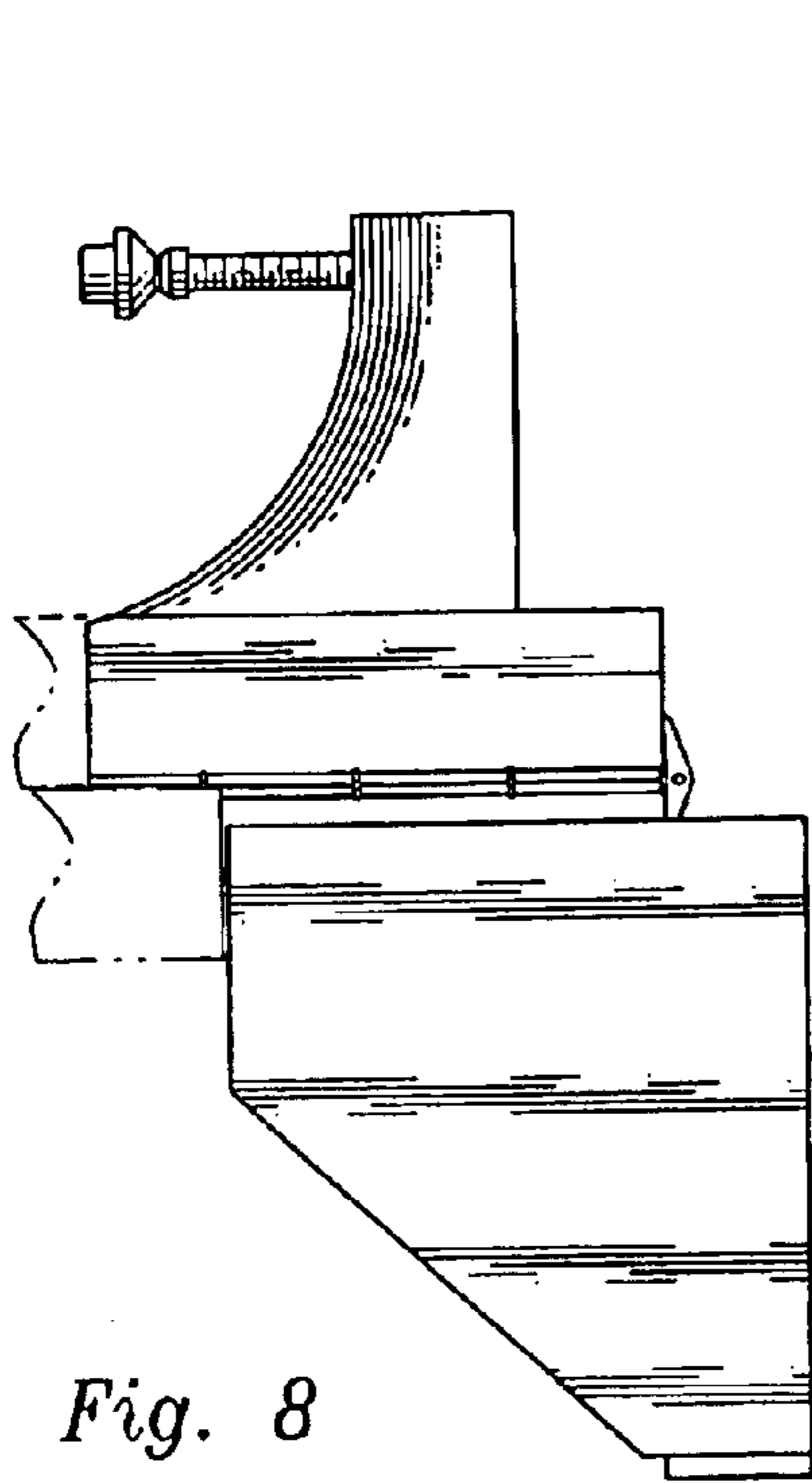


Fig. 8

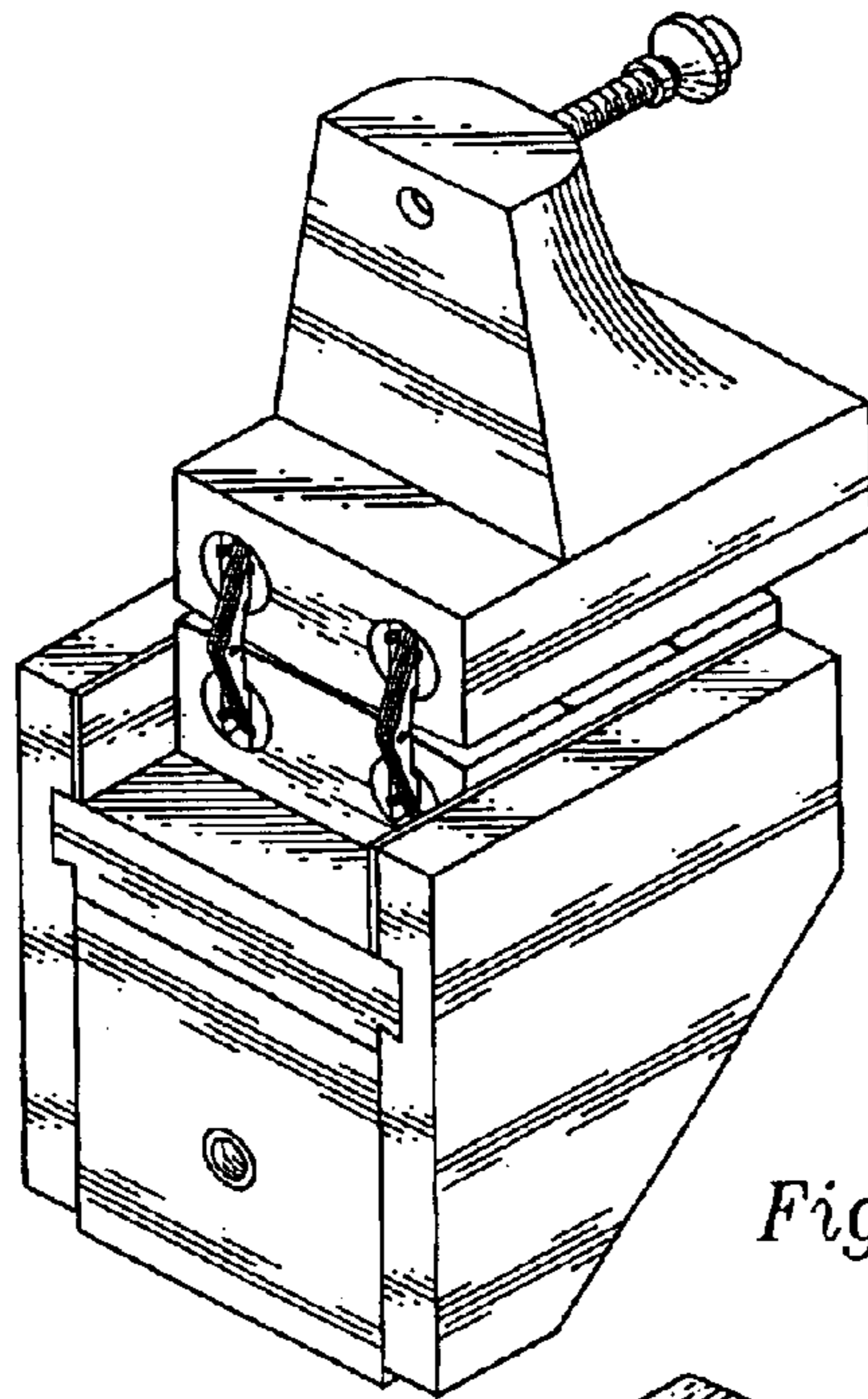


Fig. 9

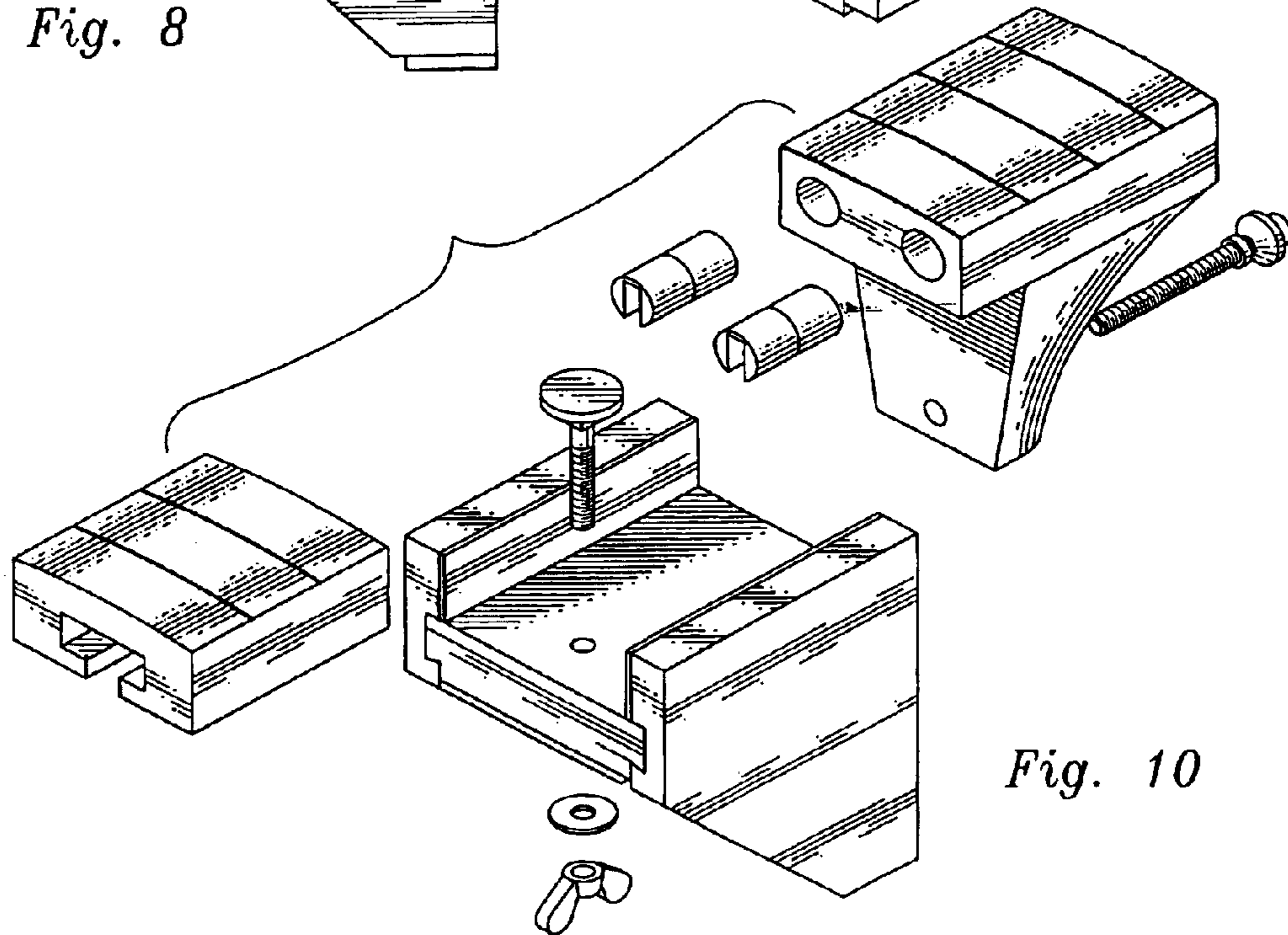


Fig. 10