



US00D516112S

(12) **United States Design Patent**
Cole

(10) **Patent No.:** **US D516,112 S**
(45) **Date of Patent:** **** Feb. 28, 2006**

(54) **EYEWEAR MOUNT WITH INWARDLY
DIRECTED TAB IN BRIDGE**

(76) Inventor: **Anthony John Cole**, P.O. Box 359
Cronulla, New South Wales 2230 (AU)

(**) Term: **14 Years**

(21) Appl. No.: **29/221,113**

(22) Filed: **Jan. 11, 2005**

(51) **LOC (8) Cl.** **16-06**

(52) **U.S. Cl.** **D16/330; D16/309; D16/310**

(58) **Field of Classification Search** **D16/300-330,**
D16/334, 340, 900; D2/866; D29/103-104,
D29/109-110; D24/110.2; 351/41, 44, 47-48,
351/51-52, 57-59, 155, 157-158, 114; 2/10,
2/12-13; 248/902, 474

See application file for complete search history.

(56) **References Cited**

U.S. PATENT DOCUMENTS

673,786	A	*	5/1901	Ricketts	2/13
2,758,506	A	*	8/1956	McNeil	351/57
3,428,286	A	*	2/1969	Del Pesco	248/474
3,787,113	A	*	1/1974	Shedrow	351/158
4,387,471	A	*	6/1983	Hsu et al.	2/10

4,810,081	A	*	3/1989	Mapelli et al.	351/57
5,261,124	A	*	11/1993	Day	2/10
5,412,812	A	*	5/1995	Gatchalian	2/10
D377,364	S	*	1/1997	Dinges	D16/304
5,987,640	A	*	11/1999	Ryder	2/10
6,206,519	B1	*	3/2001	Lin	351/57
6,502,937	B2	*	1/2003	Yang	351/57

* cited by examiner

Primary Examiner—Raphael Barkai

(74) *Attorney, Agent, or Firm*—Jacobson and Johnson

(57) **CLAIM**

The ornamental design for an eyewear mount with inwardly directed tab in bridge, as shown and described.

DESCRIPTION

FIG. 1 is a front elevation view of an eyewear mount with inwardly directed tab in bridge showing my new design; FIG. 2 is a rear elevation view thereof; FIG. 3 is a top plan view thereof; FIG. 4 is a bottom plan view thereof; FIG. 5 is a side elevation view thereof, the other side being the same; FIG. 6 is a top front perspective view thereof; and, FIG. 7 is a bottom front perspective view thereof.

1 Claim, 3 Drawing Sheets

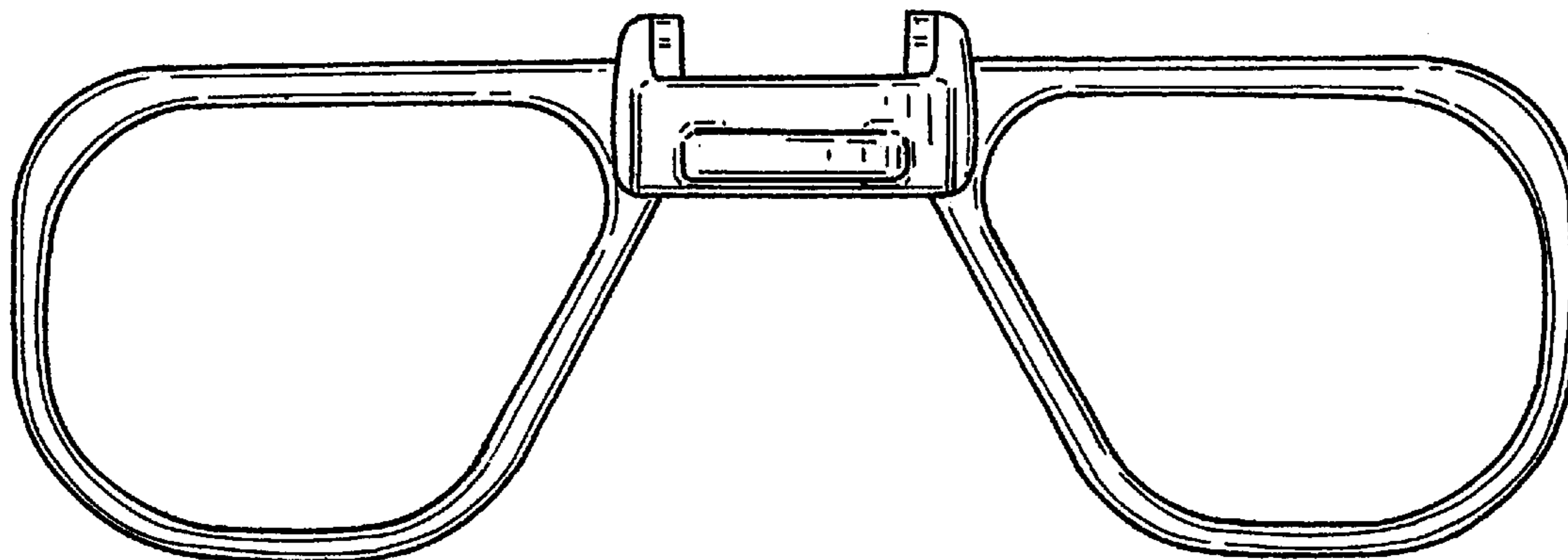


FIG. 1

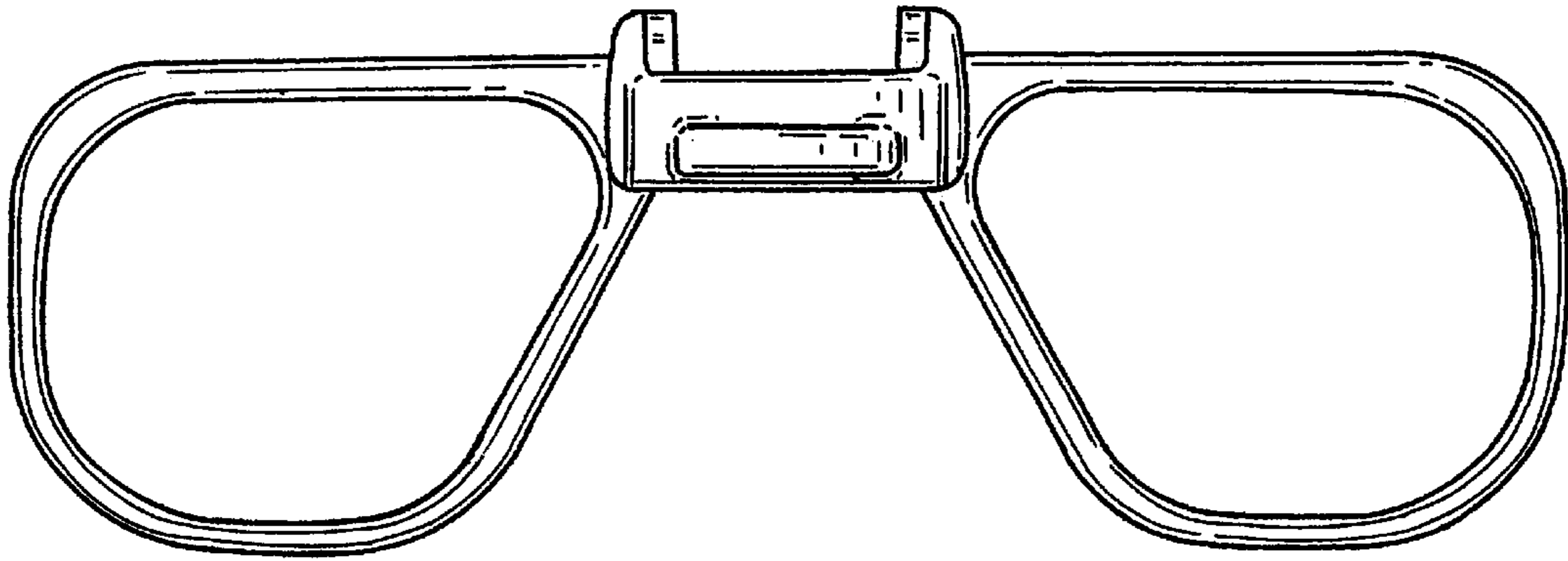


FIG. 2

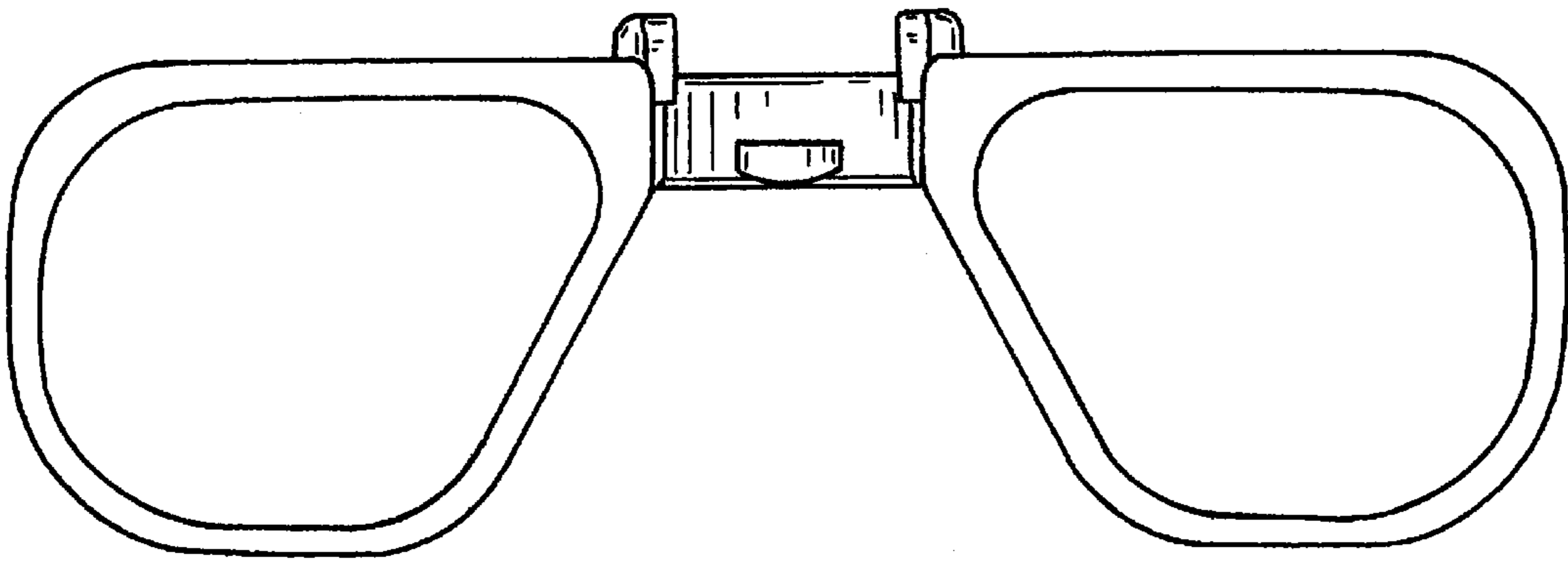


FIG. 3

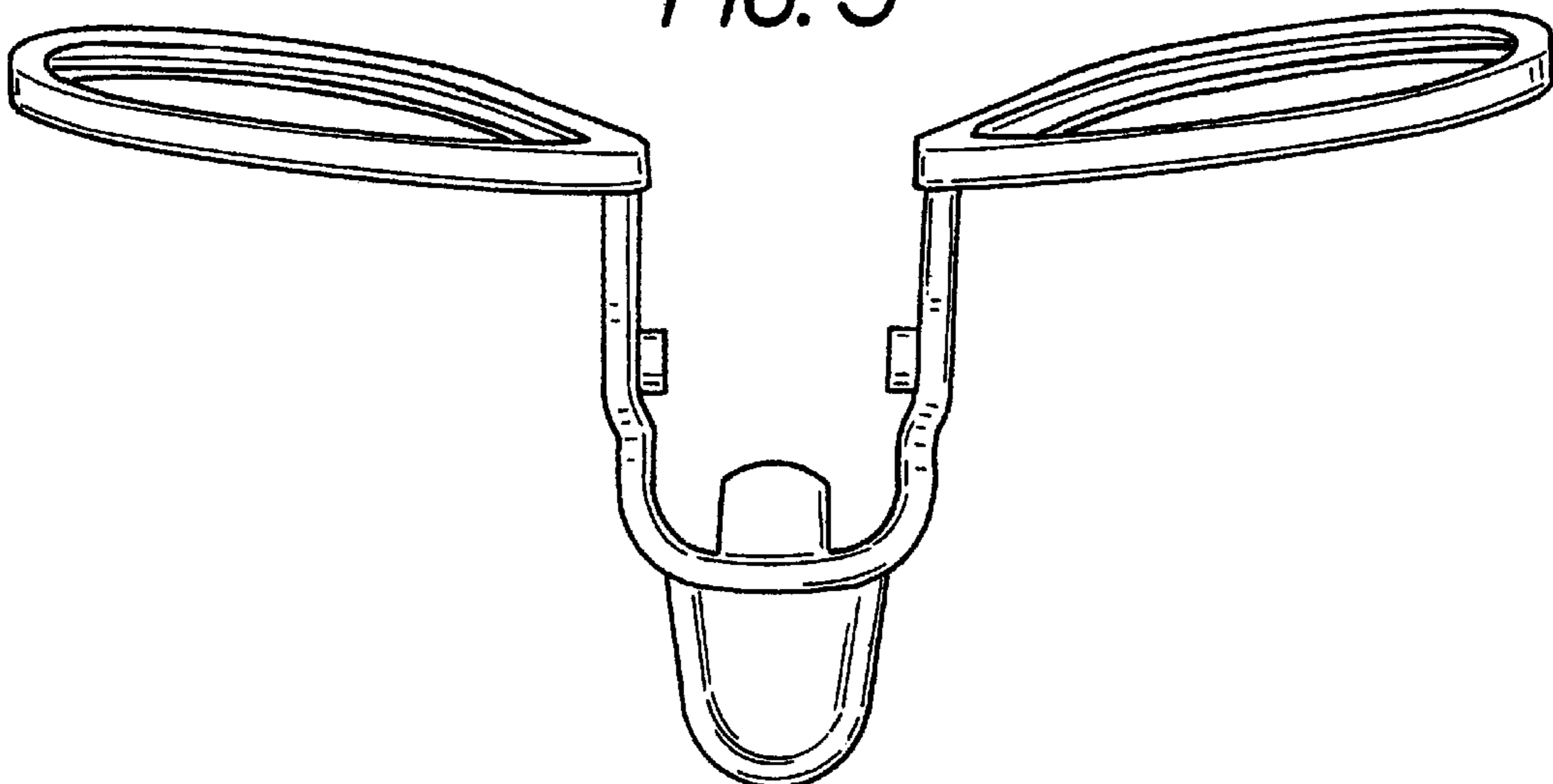


FIG. 4

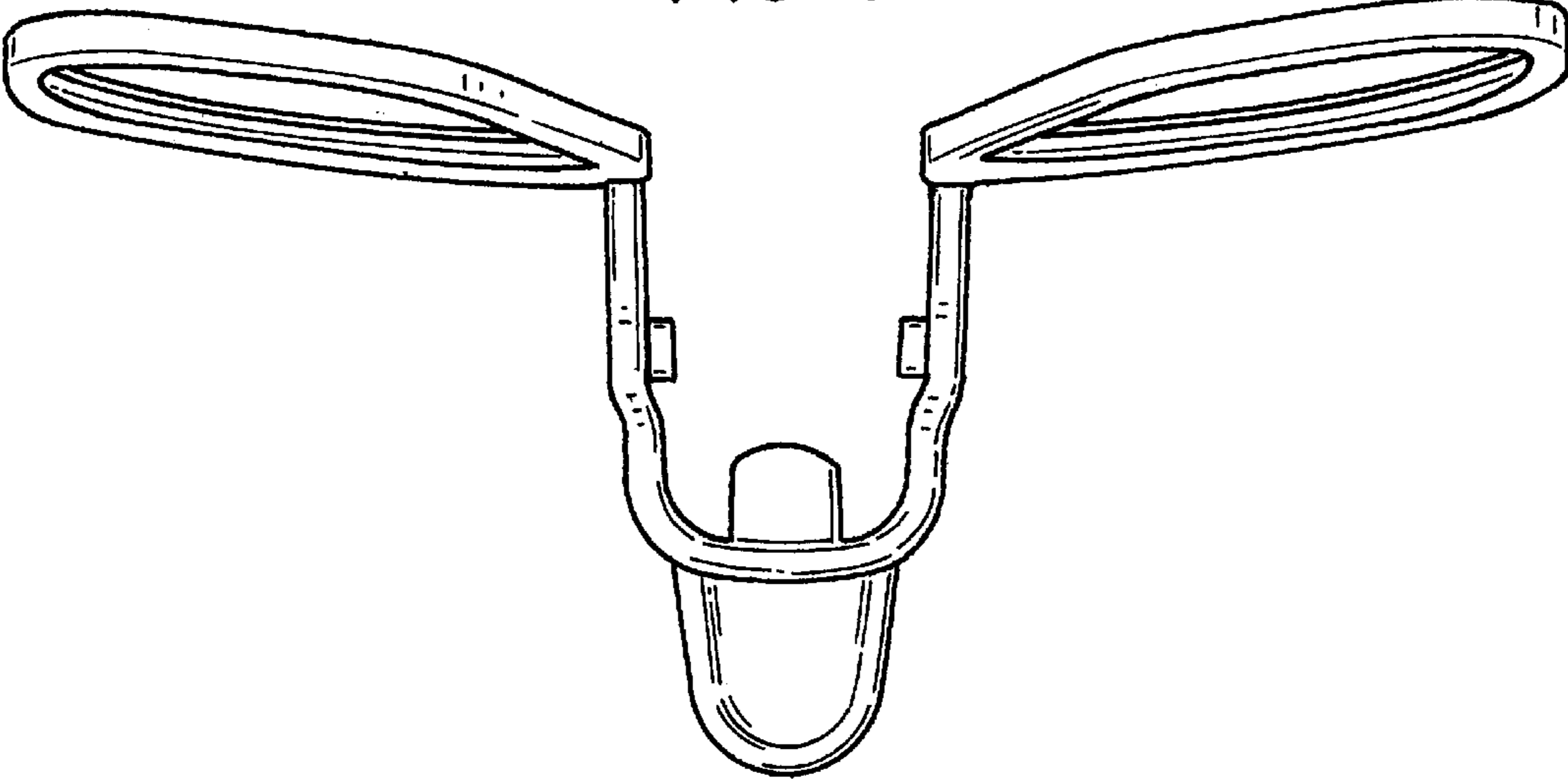


FIG. 5

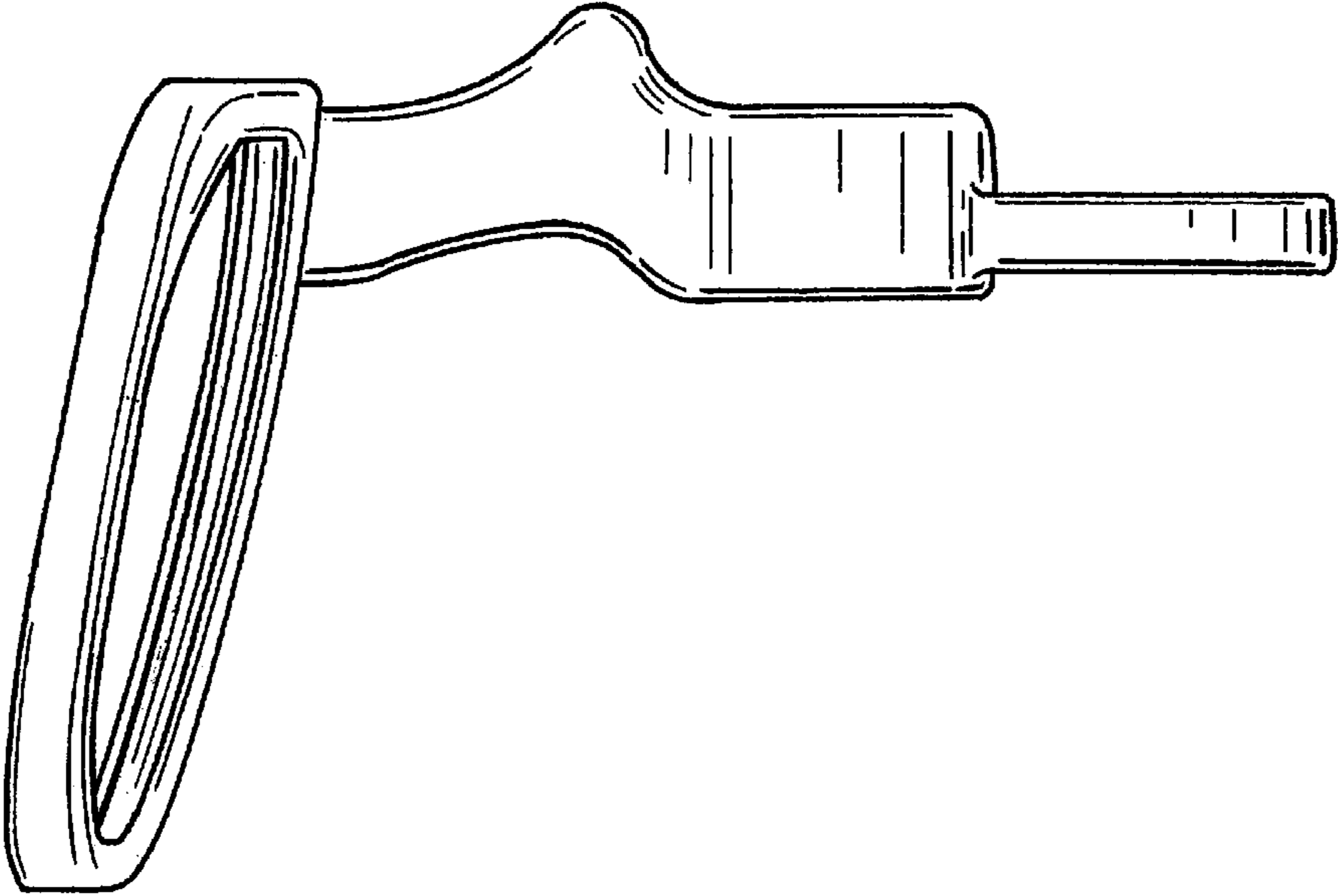


FIG. 6

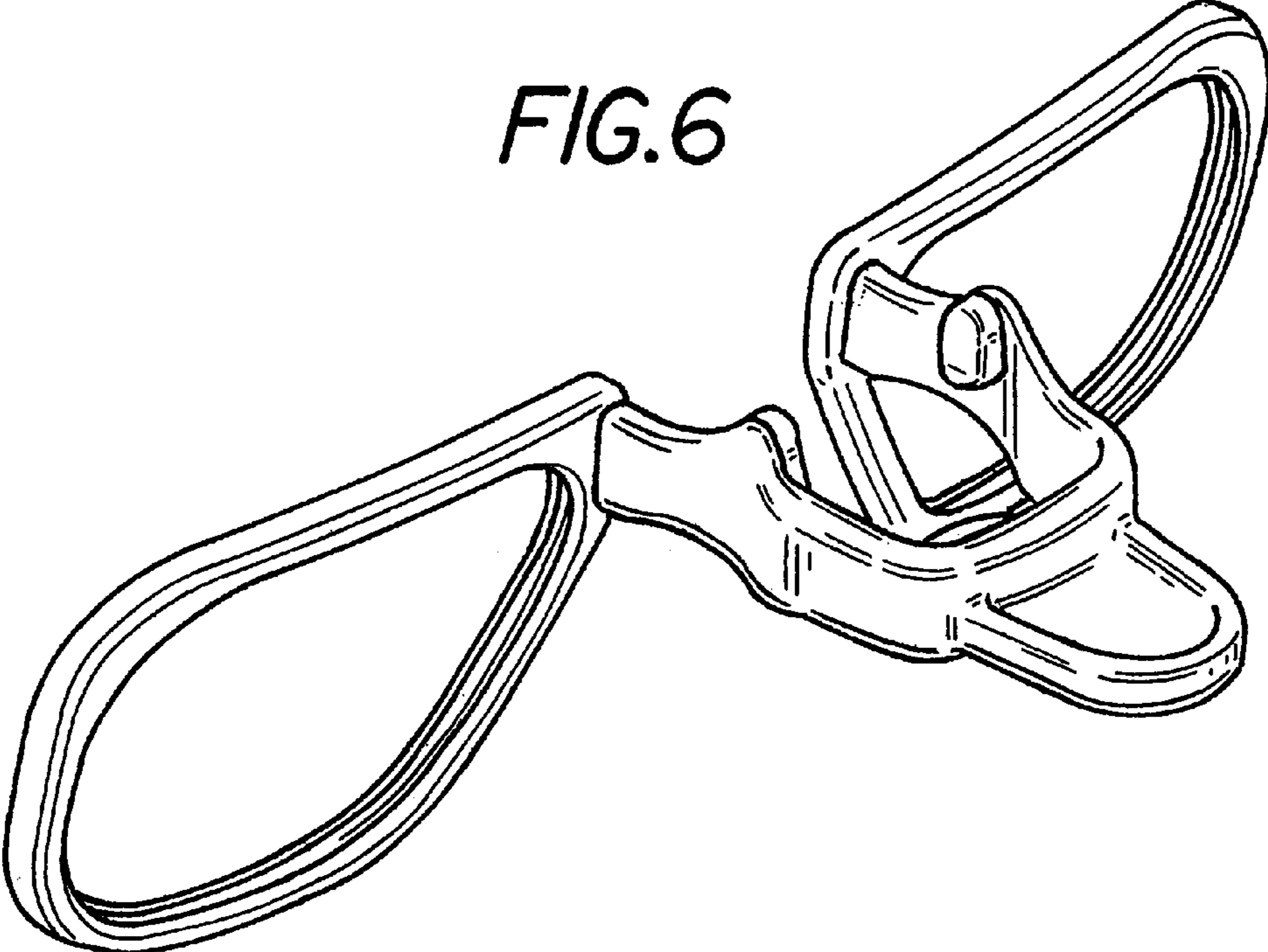


FIG. 7

