



US00D516108S

(12) **United States Design Patent**
Cheng

(10) **Patent No.:** **US D516,108 S**

(45) **Date of Patent:** **** Feb. 28, 2006**

(54) **MONITORING CAMERA**

(76) Inventor: **Yi-Jen Cheng**, 9F, No. 21, Sec. 2,
Chorngder 2 Rd., Taichung (TW)

(**) Term: **14 Years**

(21) Appl. No.: **29/212,391**

(22) Filed: **Sep. 1, 2004**

(51) **LOC (8) Cl.** **16-01**

(52) **U.S. Cl.** **D16/203**

(58) **Field of Classification Search** D16/200–205,
D16/208, 218, 242; 348/143, 151, 373–376;
358/906; 396/419, 427, 433, 535, 536–541
See application file for complete search history.

(56) **References Cited**

U.S. PATENT DOCUMENTS

D355,663 S	*	2/1995	Van Cort	D16/130
D378,095 S	*	2/1997	Hasegawa	D16/203
D430,888 S	*	9/2000	Adachi et al.	D16/203
6,679,467 B1	*	1/2004	Softness	396/419
6,791,770 B1	*	9/2004	Yamazaki et al.	396/419
D500,511 S	*	1/2005	Sybilrud	D16/203

D506,489 S * 6/2005 Owada D16/203

* cited by examiner

Primary Examiner—Adir Aronovich

(74) *Attorney, Agent, or Firm*—Troxell Law Office, PLLC

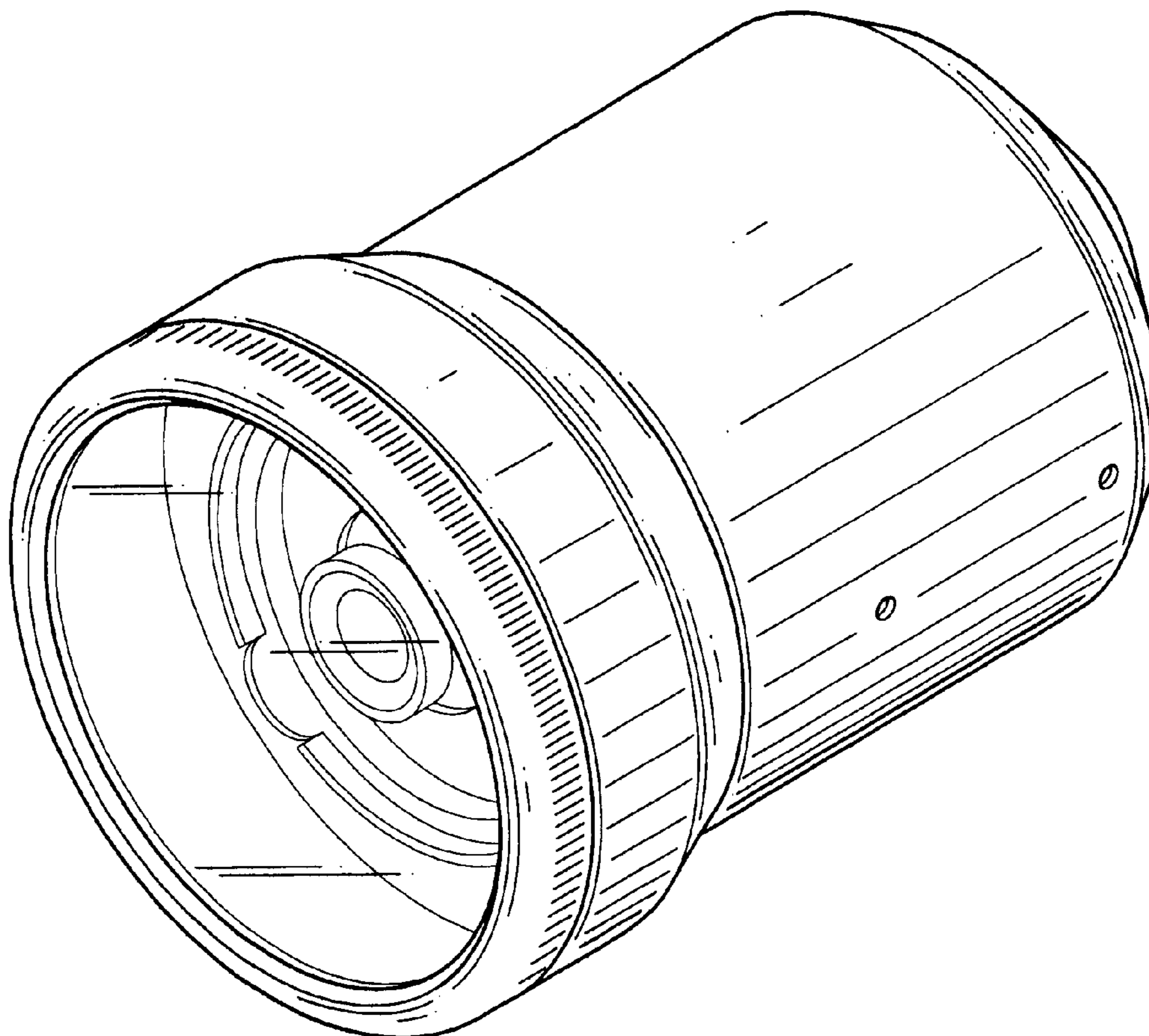
(57) **CLAIM**

The ornamental design for a monitoring camera, as shown and described.

DESCRIPTION

FIG. 1 is a perspective view of the monitoring camera showing my new design;
FIG. 2 is a front elevational view thereof;
FIG. 3 is a rear elevational view thereof;
FIG. 4 is a left side view thereof;
FIG. 5 is a right side view thereof;
FIG. 6 is a top plan view thereof;
FIG. 7 is a bottom plan view thereof; and,
FIG. 8 is a referential perspective view of the monitoring camera attached to a camera base, wherein the broken lines are shown for illustrative purposes and form no part of the claimed design.

1 Claim, 5 Drawing Sheets



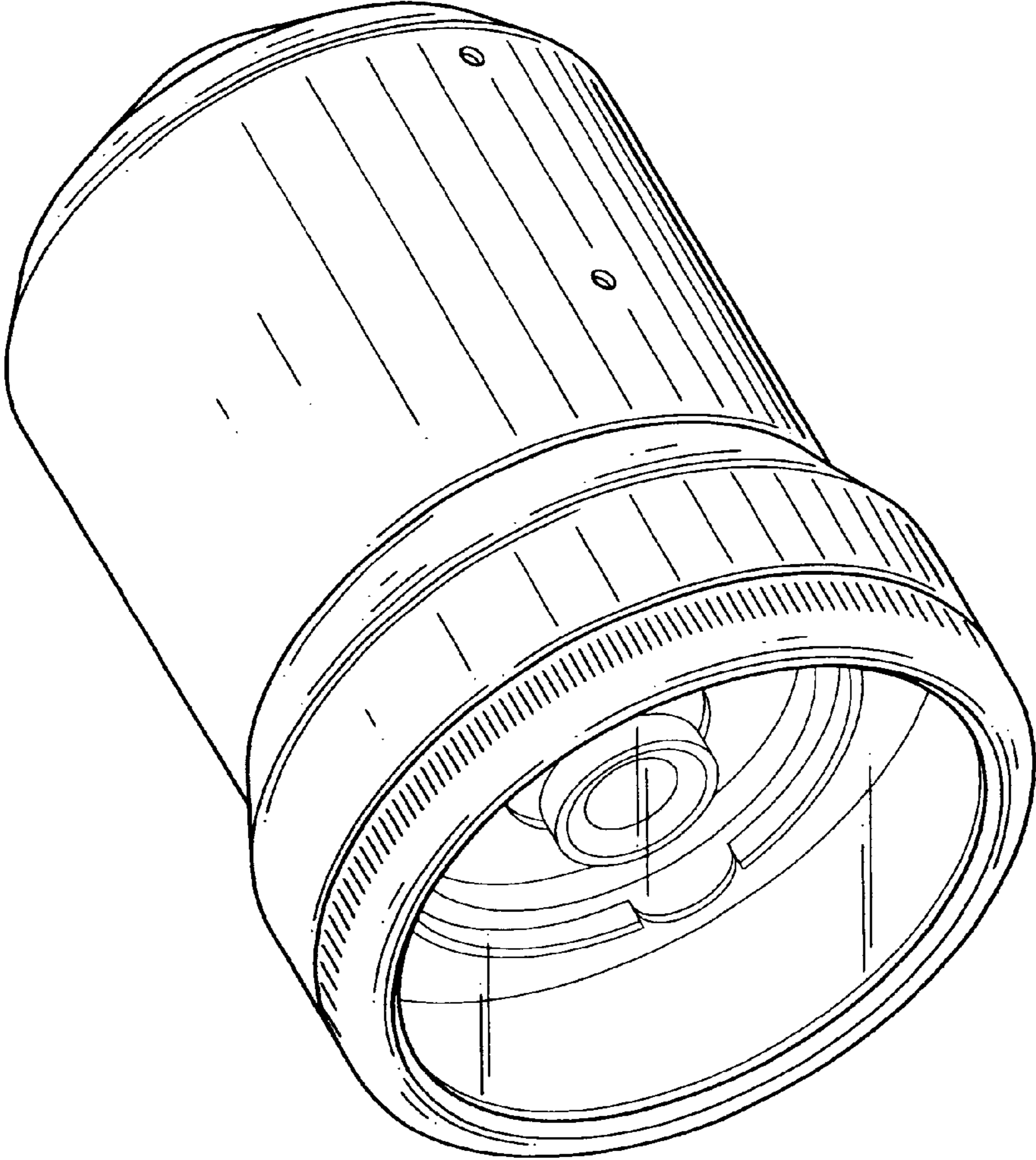


FIG. 1

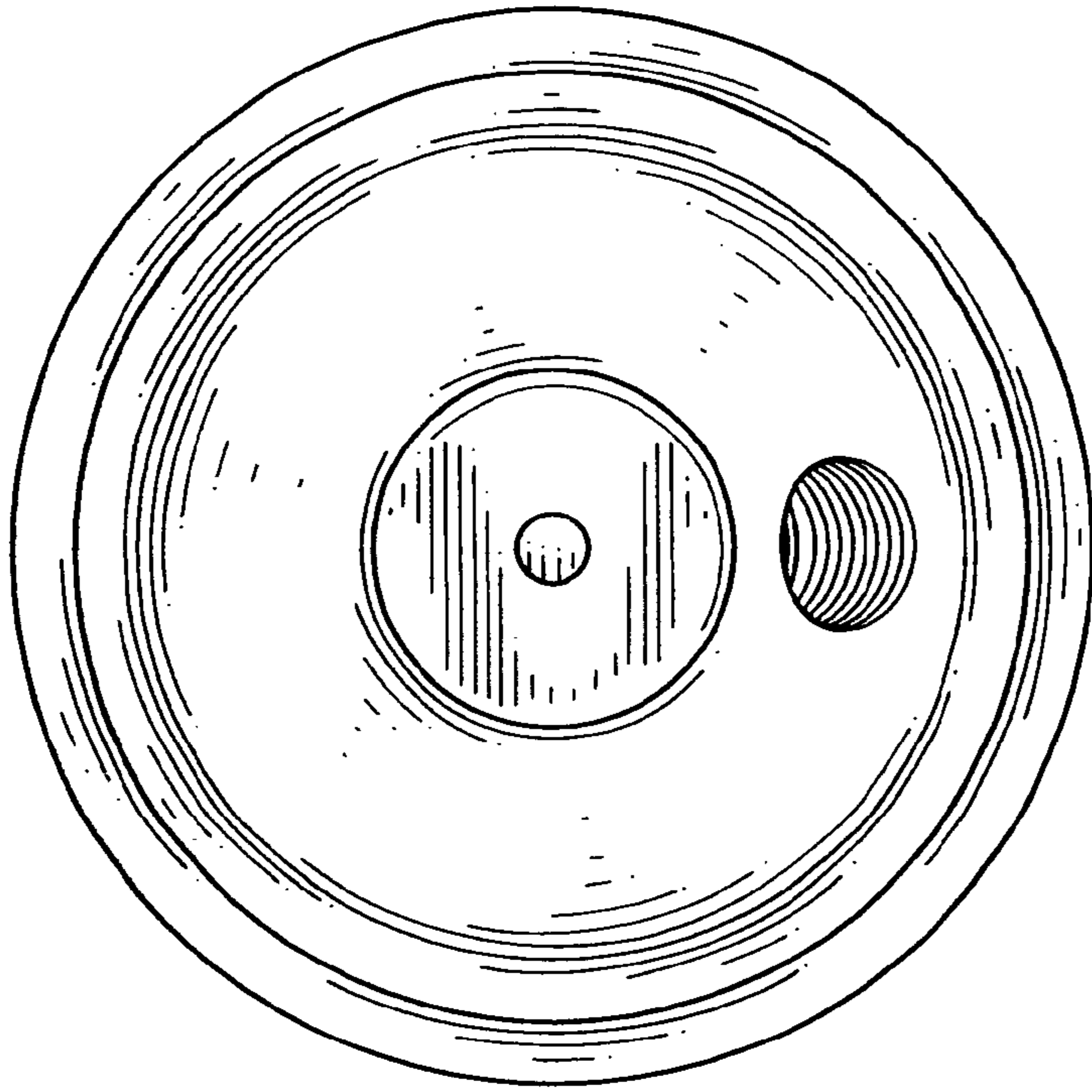


FIG. 3

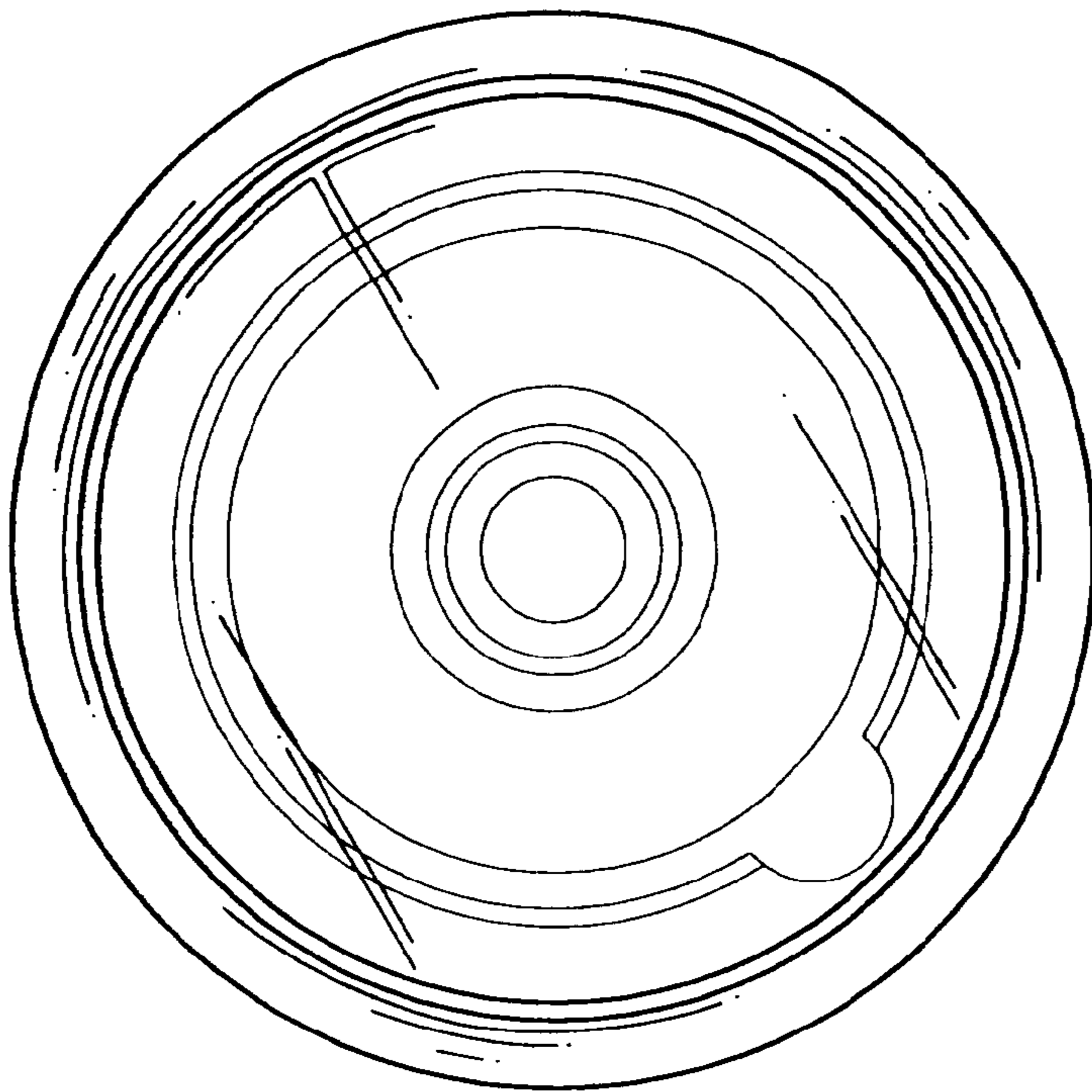


FIG. 2

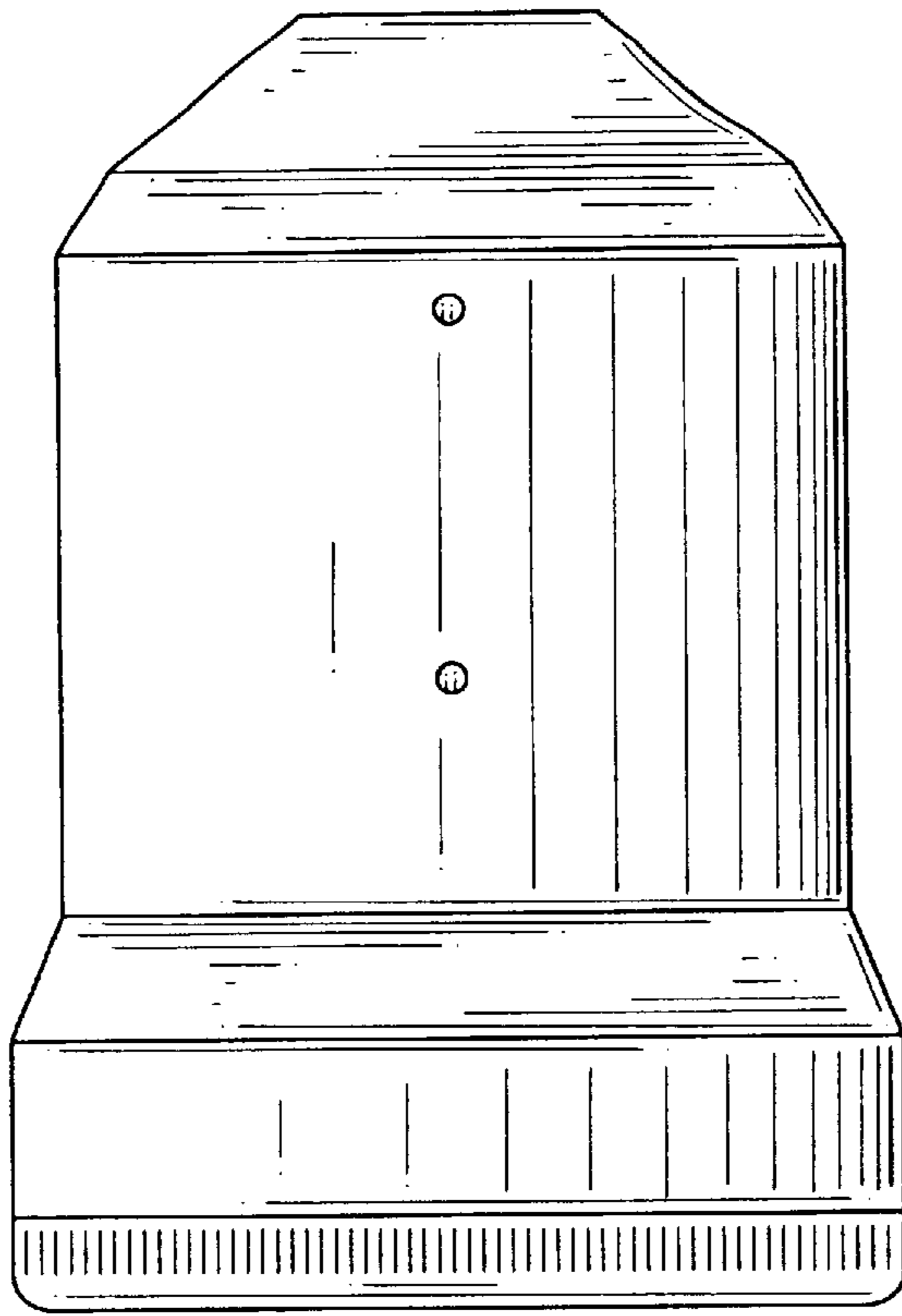


FIG. 5

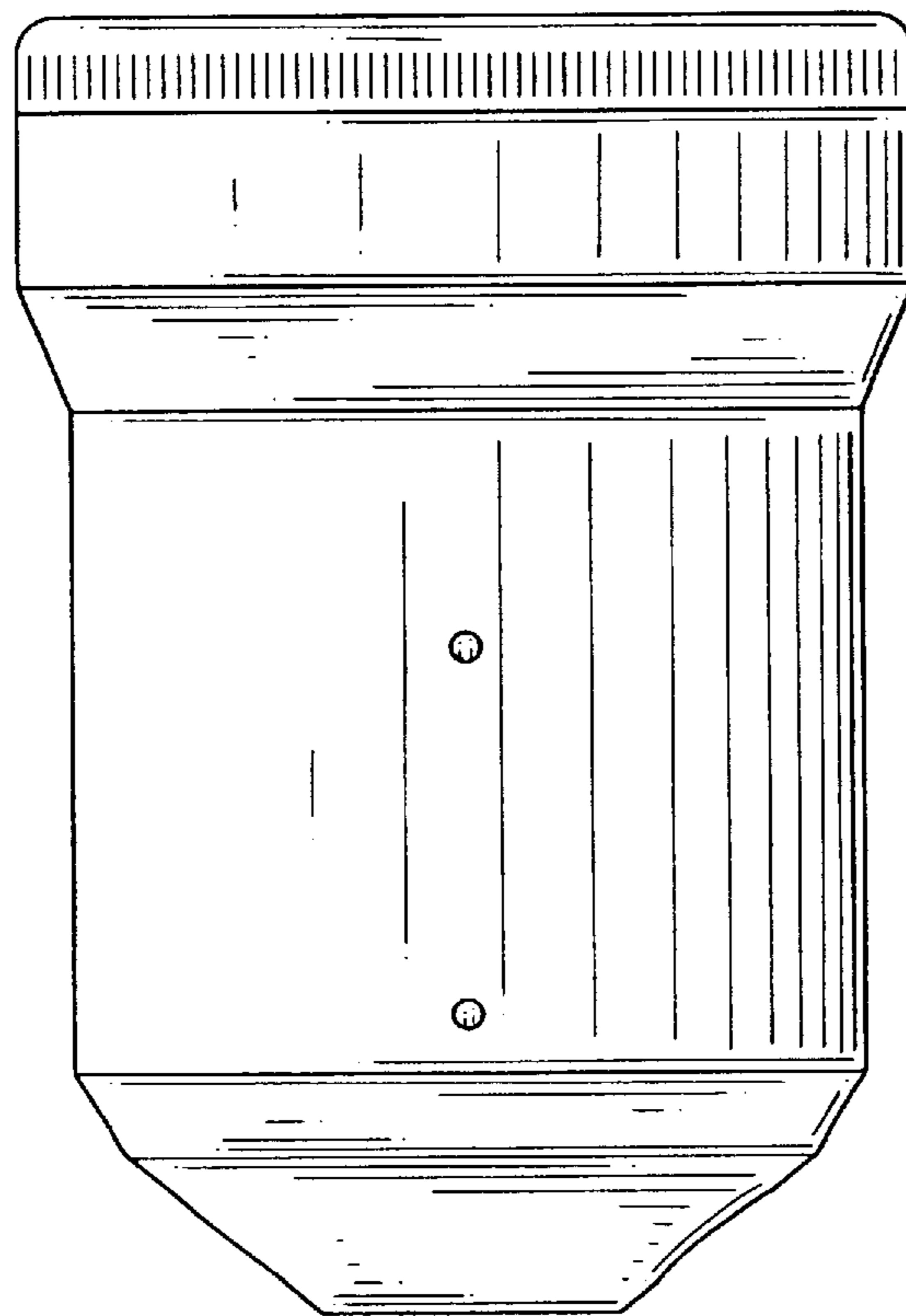


FIG. 4

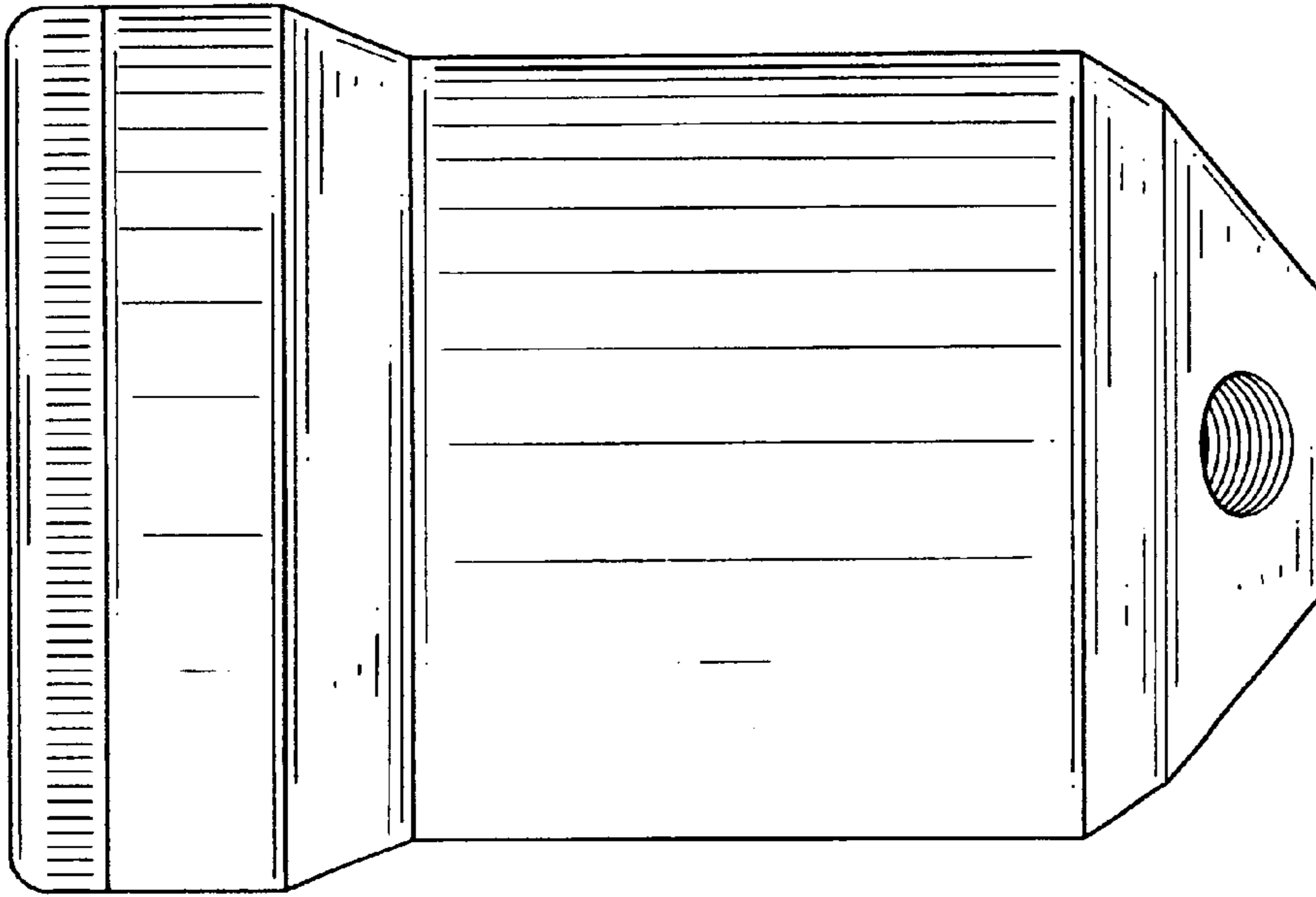


FIG. 7

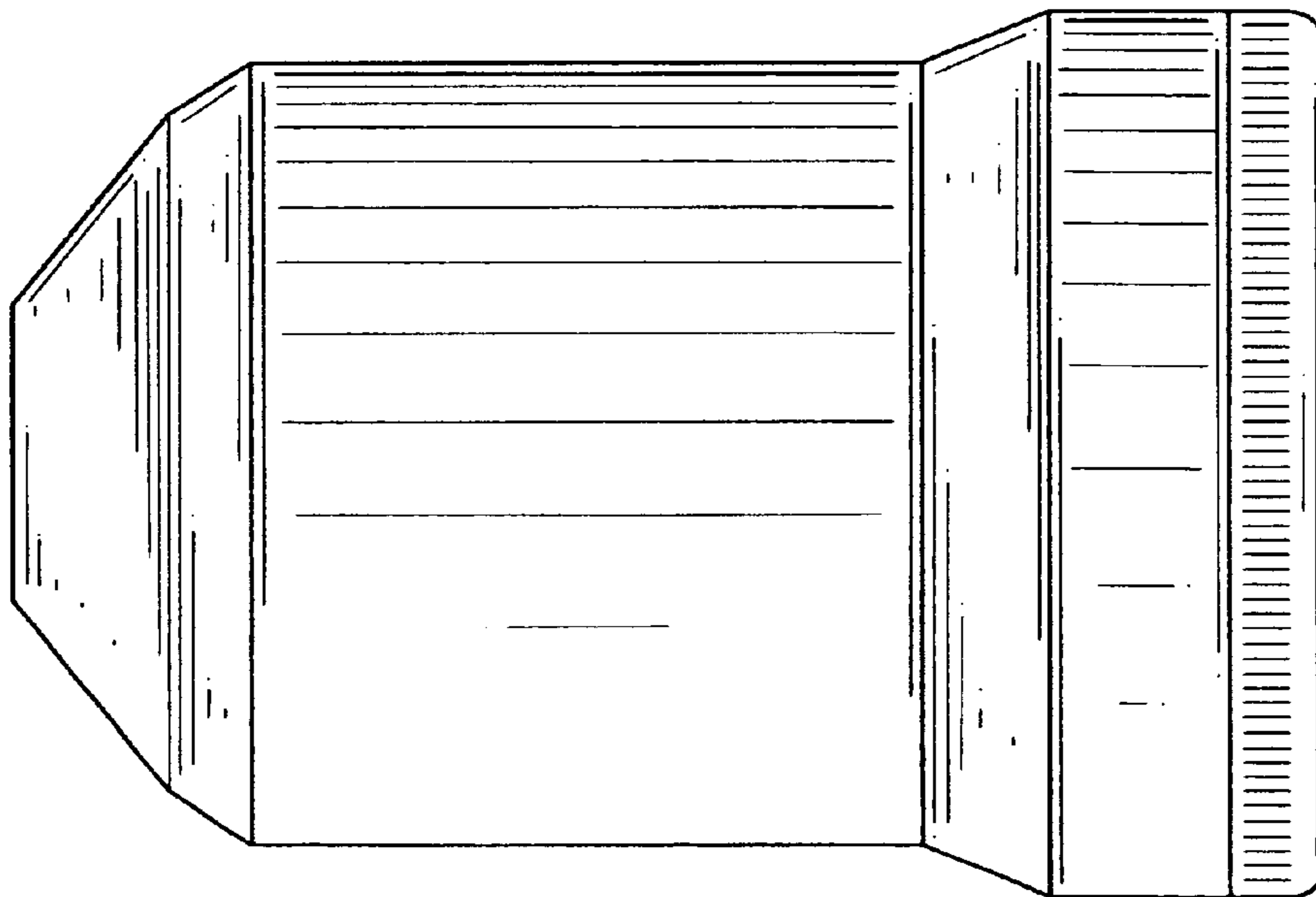


FIG. 6

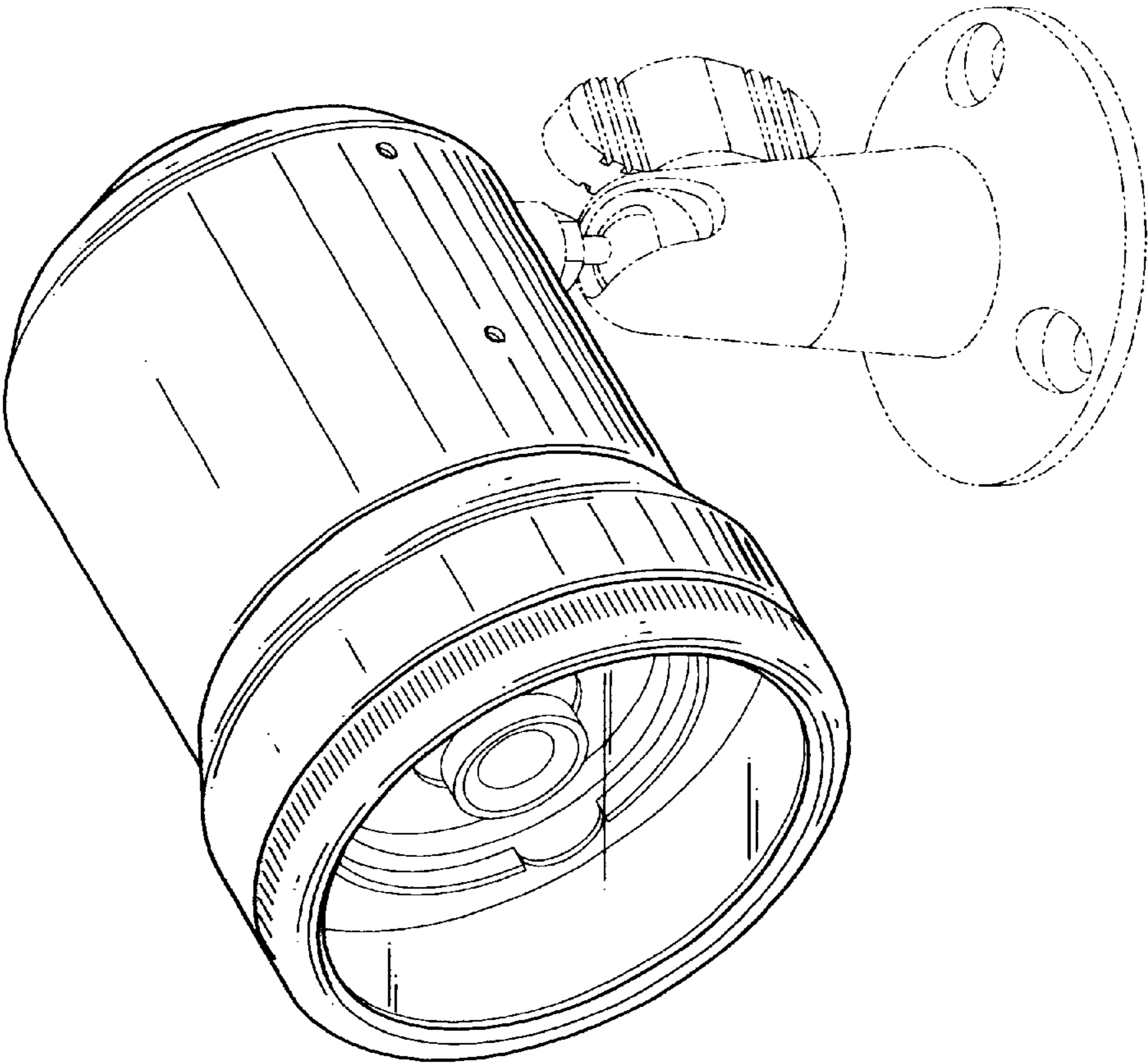


FIG.8