



US00D516106S

(12) **United States Design Patent**  
**Sakai**

(10) **Patent No.:** **US D516,106 S**  
(45) **Date of Patent:** **\*\* Feb. 28, 2006**

(54) **ELECTRONIC CAMERA**

(75) Inventor: **Masayuki Sakai**, Tokyo (JP)

(73) Assignee: **Fuji Photo Film Co., Ltd.**, Kanagawa (JP)

(\*\*) Term: **14 Years**

(21) Appl. No.: **29/214,526**

(22) Filed: **Oct. 6, 2004**

(30) **Foreign Application Priority Data**

Apr. 6, 2004 (JP) ..... 2004-010574

(51) **LOC (8) Cl.** ..... **16-01**

(52) **U.S. Cl.** ..... **D16/202; D16/200**

(58) **Field of Classification Search** ..... D16/200-206,  
D16/208, 218, 241; 348/373-376, 906, 909.1,  
348/535-541

See application file for complete search history.

(56) **References Cited**

**U.S. PATENT DOCUMENTS**

D219,408 S \* 12/1970 Frish ..... D16/241

D502,197 S \* 2/2005 Imai ..... D16/202  
D502,199 S \* 2/2005 Imai ..... D16/200  
D506,767 S \* 6/2005 Imai ..... D16/202

\* cited by examiner

*Primary Examiner*—Adir Aronovich

(74) *Attorney, Agent, or Firm*—Young & Thomson

(57) **CLAIM**

The ornamental design for an electronic camera, as shown and described.

**DESCRIPTION**

FIG. 1 is a top, front and side perspective view of an electronic camera showing my new design;  
FIG. 2 is a front elevational view thereof;  
FIG. 3 is a rear elevational view thereof;  
FIG. 4 is a top plan view thereof;  
FIG. 5 is a bottom plan view thereof;  
FIG. 6 is a side elevational view thereof from the left of FIG. 2, the side opposite that shown in FIG. 6 being the mirror image thereof; and,  
FIG. 7 is a top, rear and side elevational view thereof.

**1 Claim, 4 Drawing Sheets**

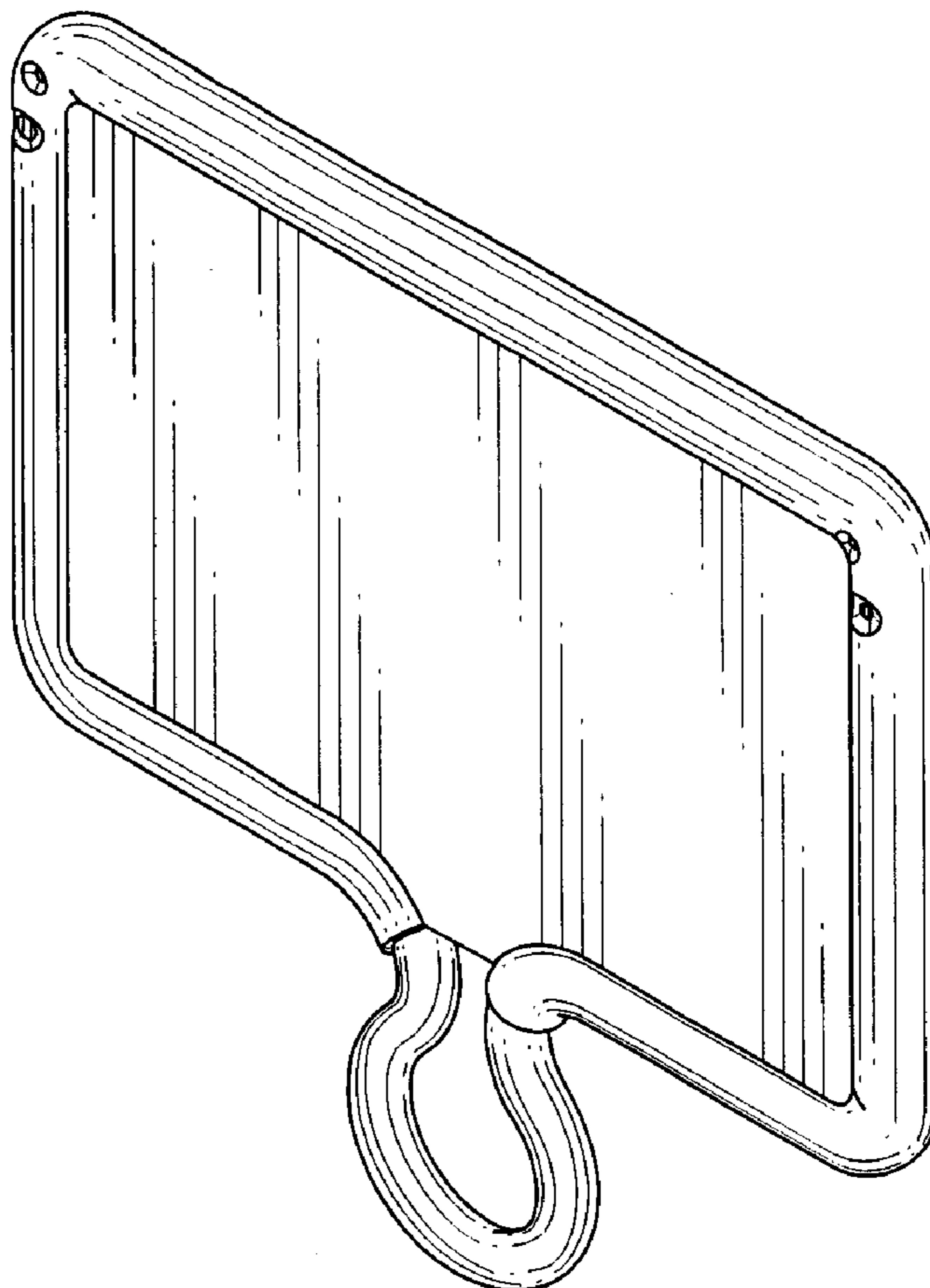


FIG. 1

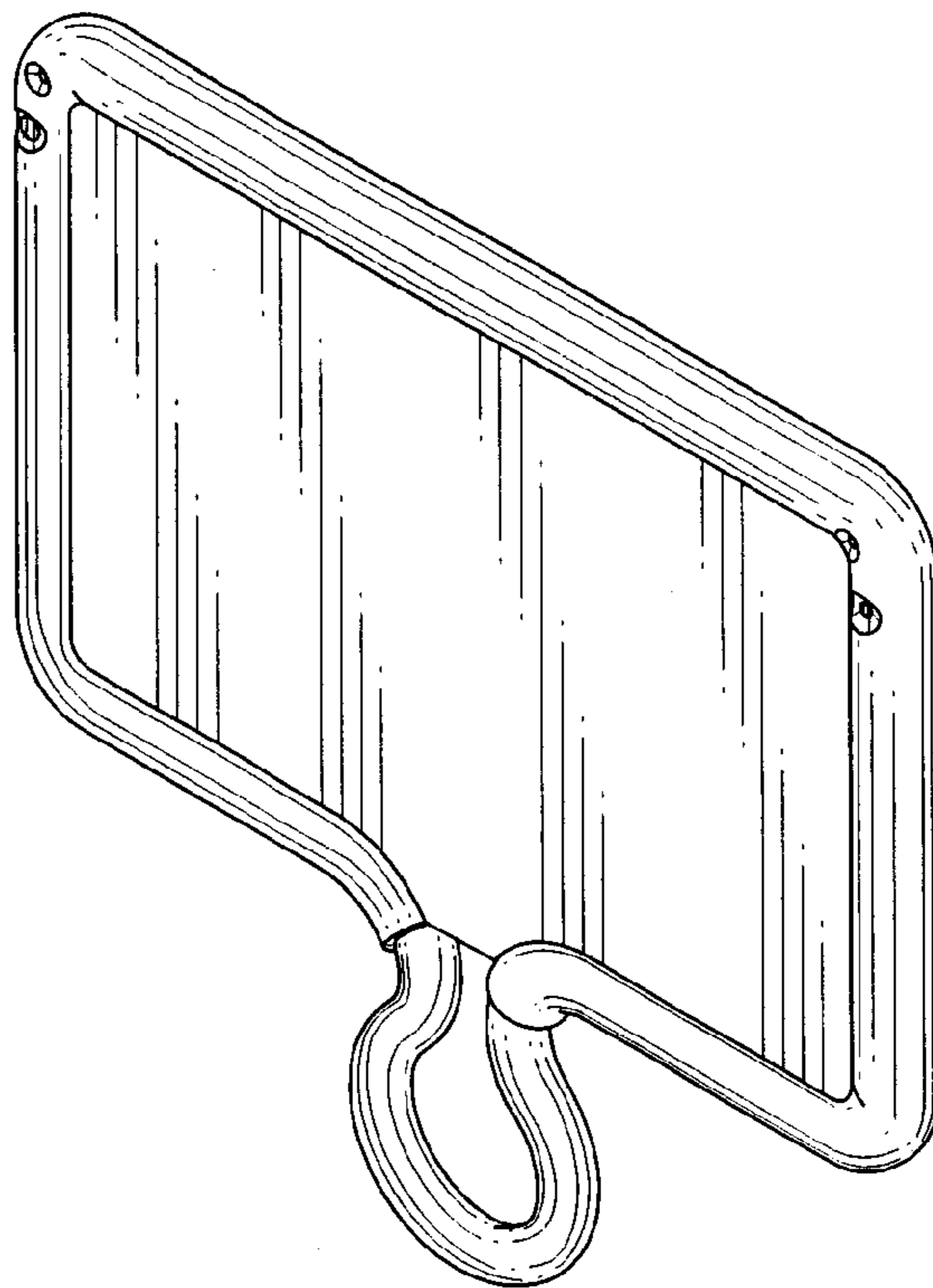
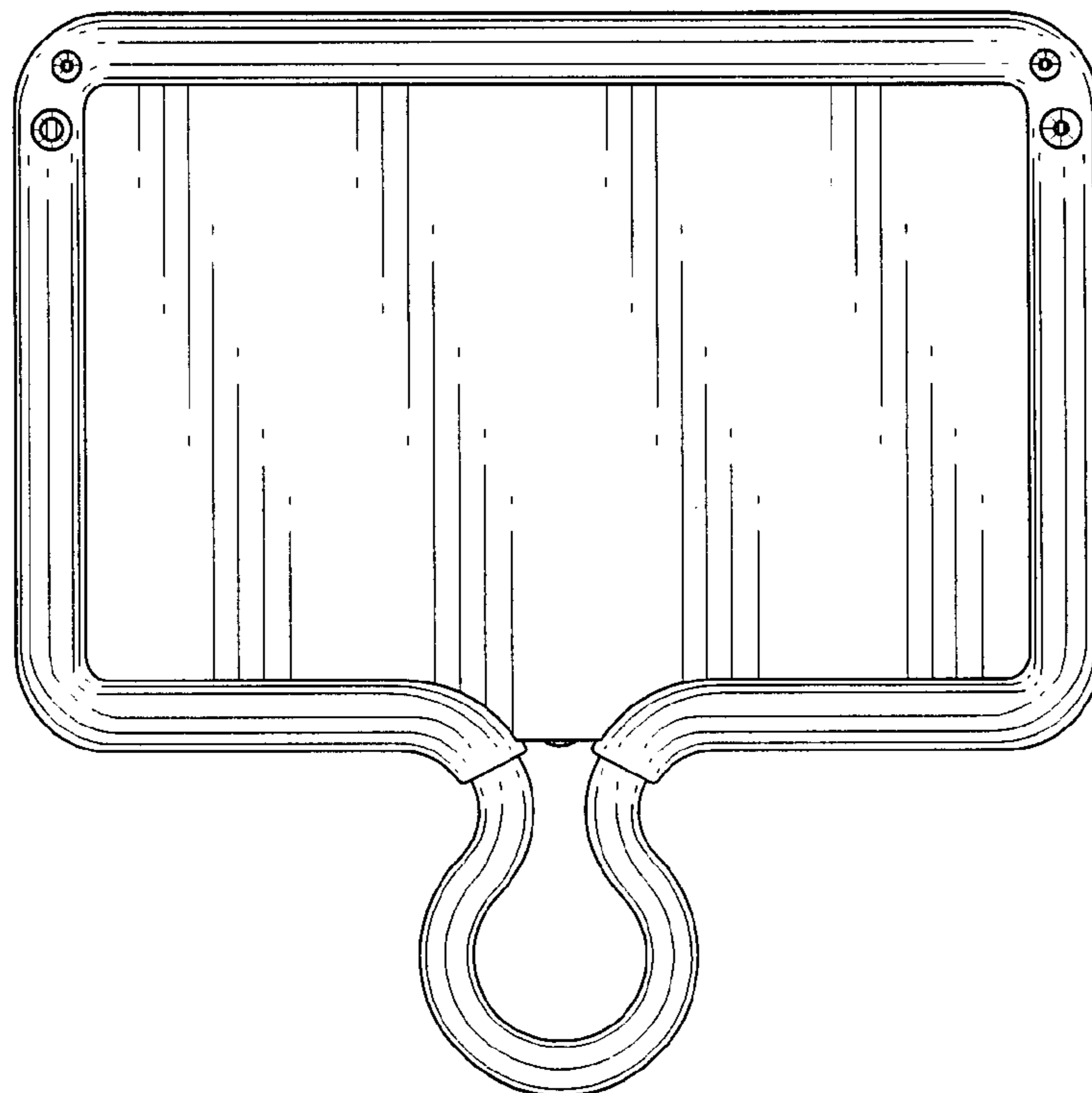
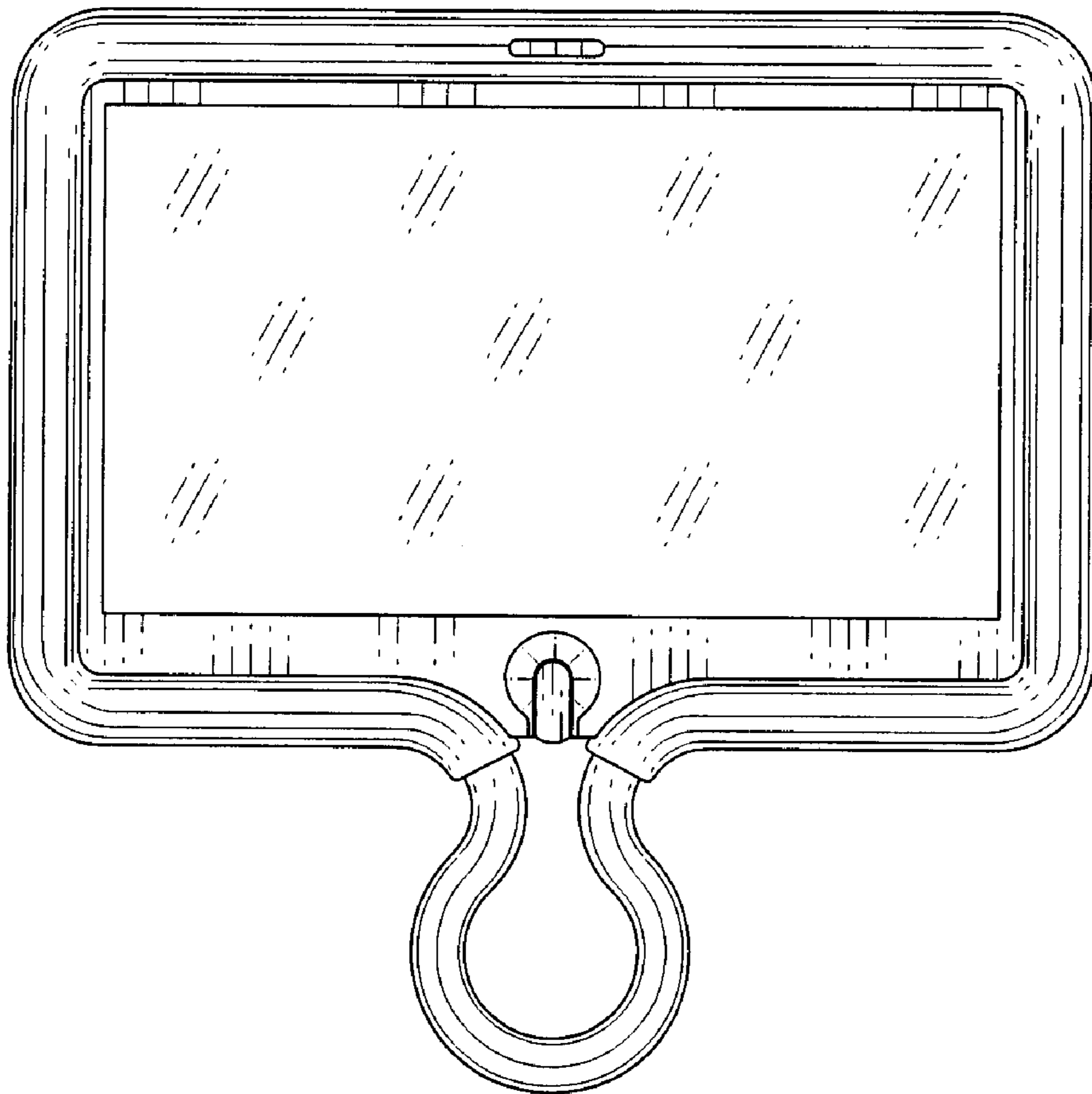


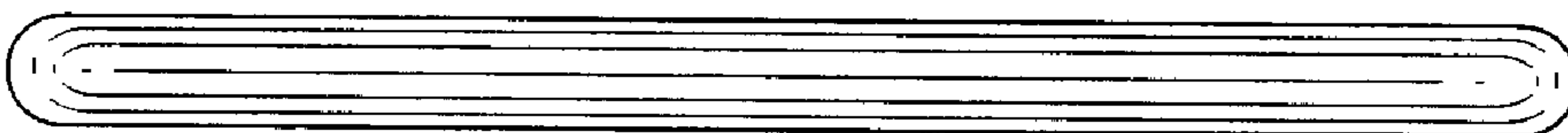
FIG. 2



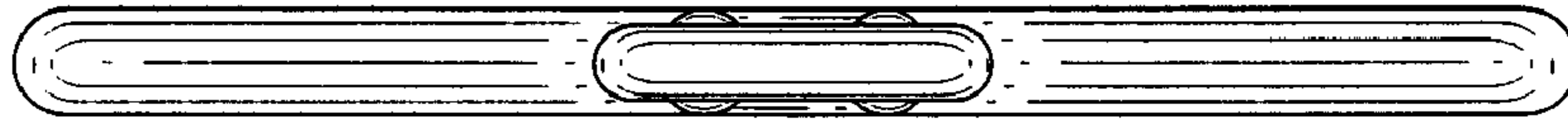
**FIG.3**



**FIG.4**



**FIG. 5**



**FIG. 6**

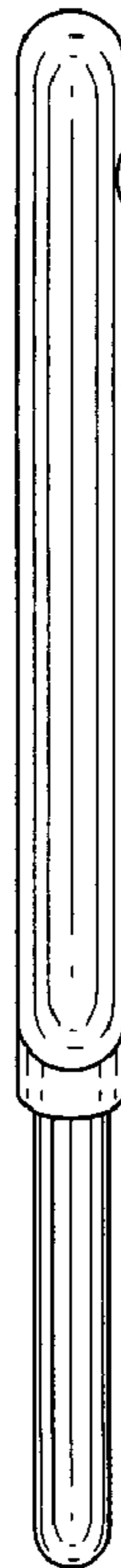


FIG. 7

