

US00D516105S

(12) **United States Design Patent**  
**Bradley et al.**

(10) **Patent No.: US D516,105 S**

(45) **Date of Patent: \*\* Feb. 28, 2006**

(54) **CAMERA HAVING RECESSED LENS WITH  
GENERALLY RECTANGULAR CUTOUT  
OPENING**

D421,033 S \* 2/2000 Shirley et al. .... D16/227  
D430,587 S \* 9/2000 Summit ..... D16/202  
6,239,841 B1 \* 5/2001 Verstockt et al. .... 348/373  
D500,067 S \* 12/2004 Liu ..... D16/202

(75) Inventors: **Paul Bradley**, Palo Alto, CA (US);  
**Chris Loew**, Palo Alto, CA (US);  
**Jochen P. Backs**, Palo Alto, CA (US);  
**Cam Le**, Fremont, CA (US)

\* cited by examiner

*Primary Examiner*—Adir Aronovich  
(74) *Attorney, Agent, or Firm*—Townsend and Townsend  
and Crew LLP

(73) Assignee: **Logitech Europe S.A.**,  
Romanel-sur-Morges (CH)

(57) **CLAIM**

(\*\*) Term: **14 Years**

The ornamental design for camera having recessed lens with generally rectangular cutout opening, as shown and described.

(21) Appl. No.: **29/206,370**

**DESCRIPTION**

(22) Filed: **May 28, 2004**

(51) **LOC (8) Cl.** ..... **16-01**

(52) **U.S. Cl.** ..... **D16/202**

(58) **Field of Classification Search** ..... D16/200–205,  
D16/208, 218, 227; 348/373–376; 358/906,  
358/909.1; 396/535–541

FIG. 1 is a perspective view of a camera having recessed lens with generally rectangular cutout opening showing our new design;

FIG. 2 is a front elevational view thereof;

FIG. 3 is a right elevational view thereof;

FIG. 4 is a bottom plan view thereof;

FIG. 5 is a top plan view thereof;

FIG. 6 is a rear elevational view thereof; and,

FIG. 7 is a left elevational view thereof.

The broken line showing of a cable is for illustrative purposes only and forms no part of the claimed design.

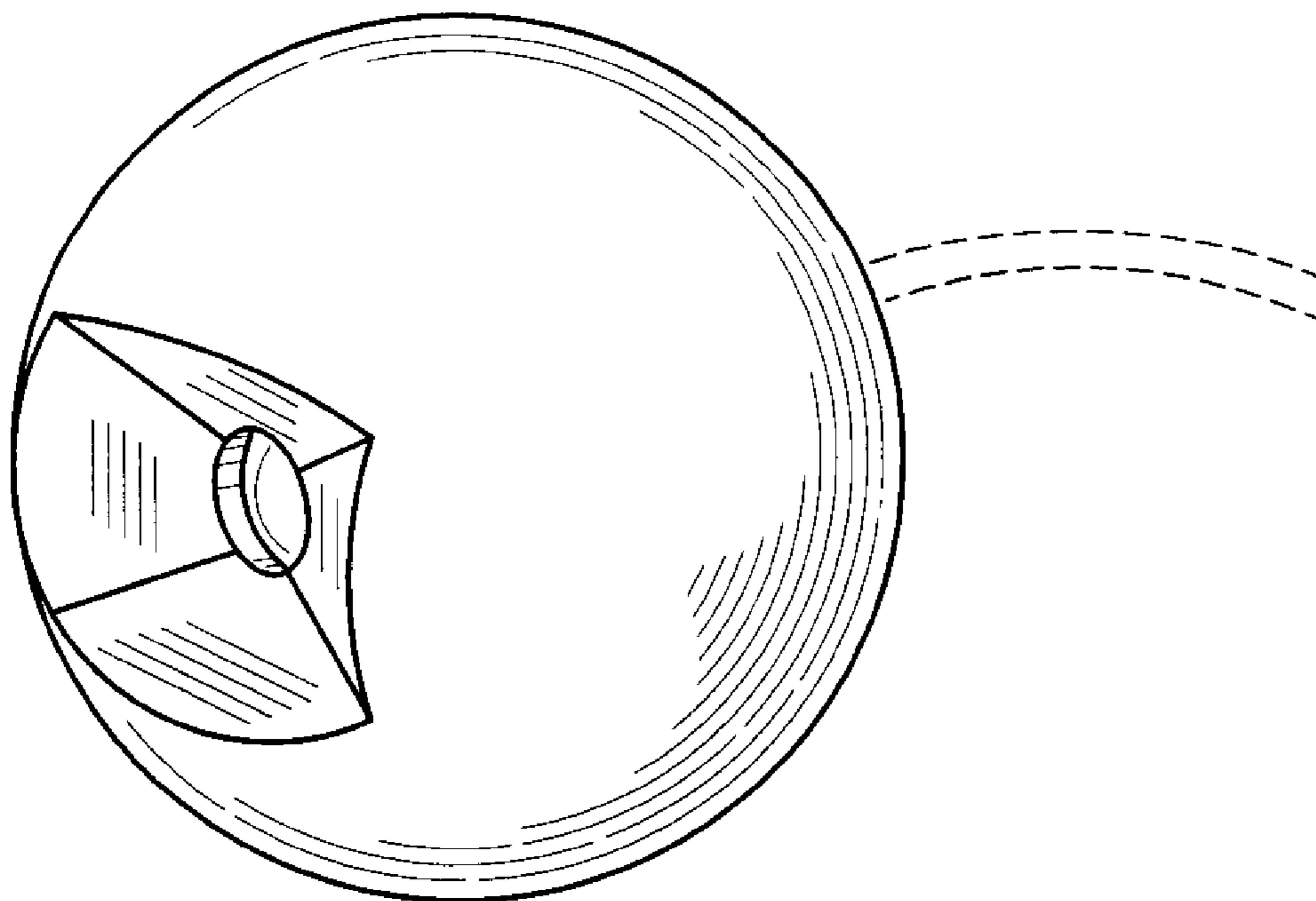
See application file for complete search history.

(56) **References Cited**

**U.S. PATENT DOCUMENTS**

D389,500 S \* 1/1998 Krekelberg ..... D16/202  
D392,299 S \* 3/1998 Lin ..... D16/202

**1 Claim, 2 Drawing Sheets**



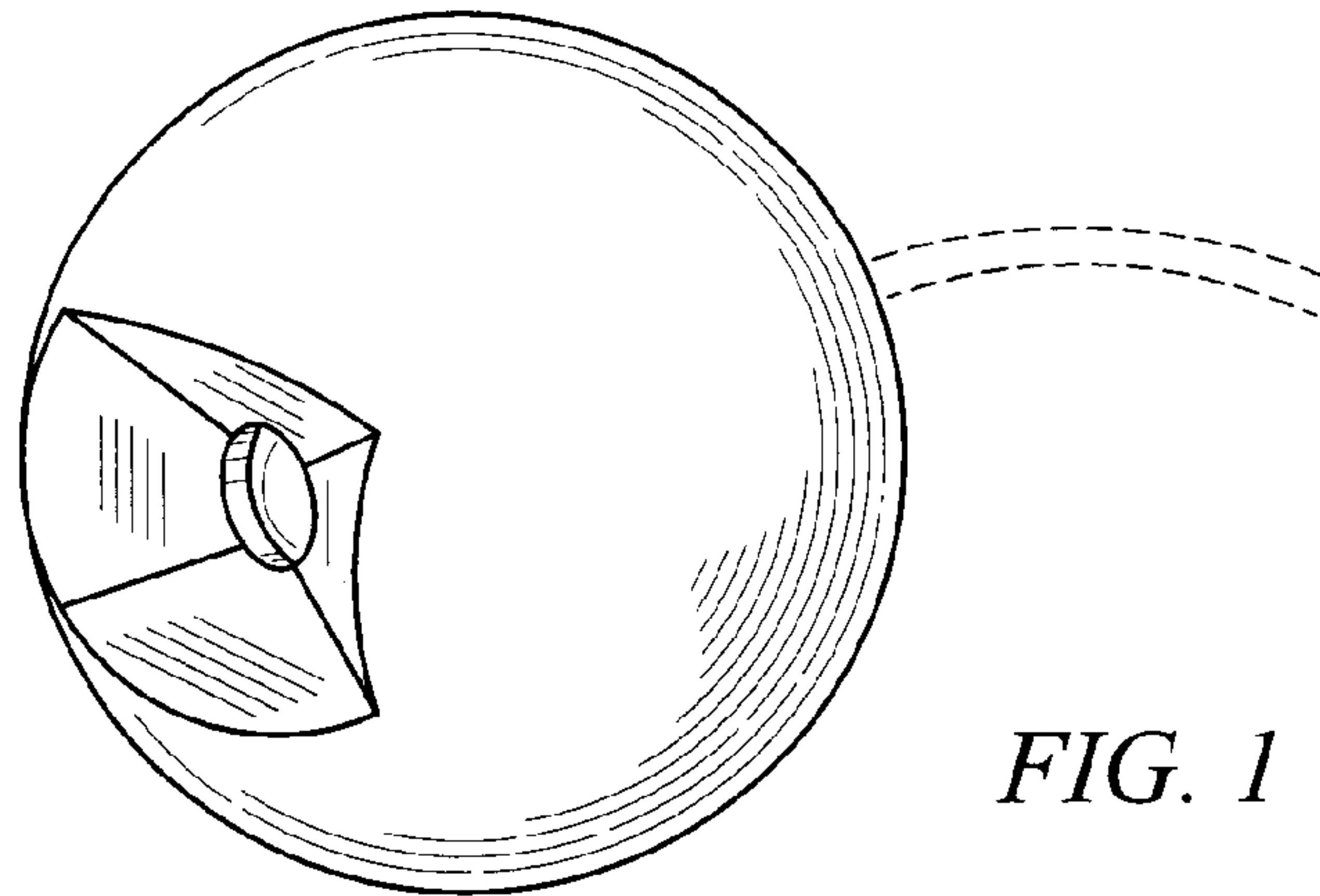


FIG. 1

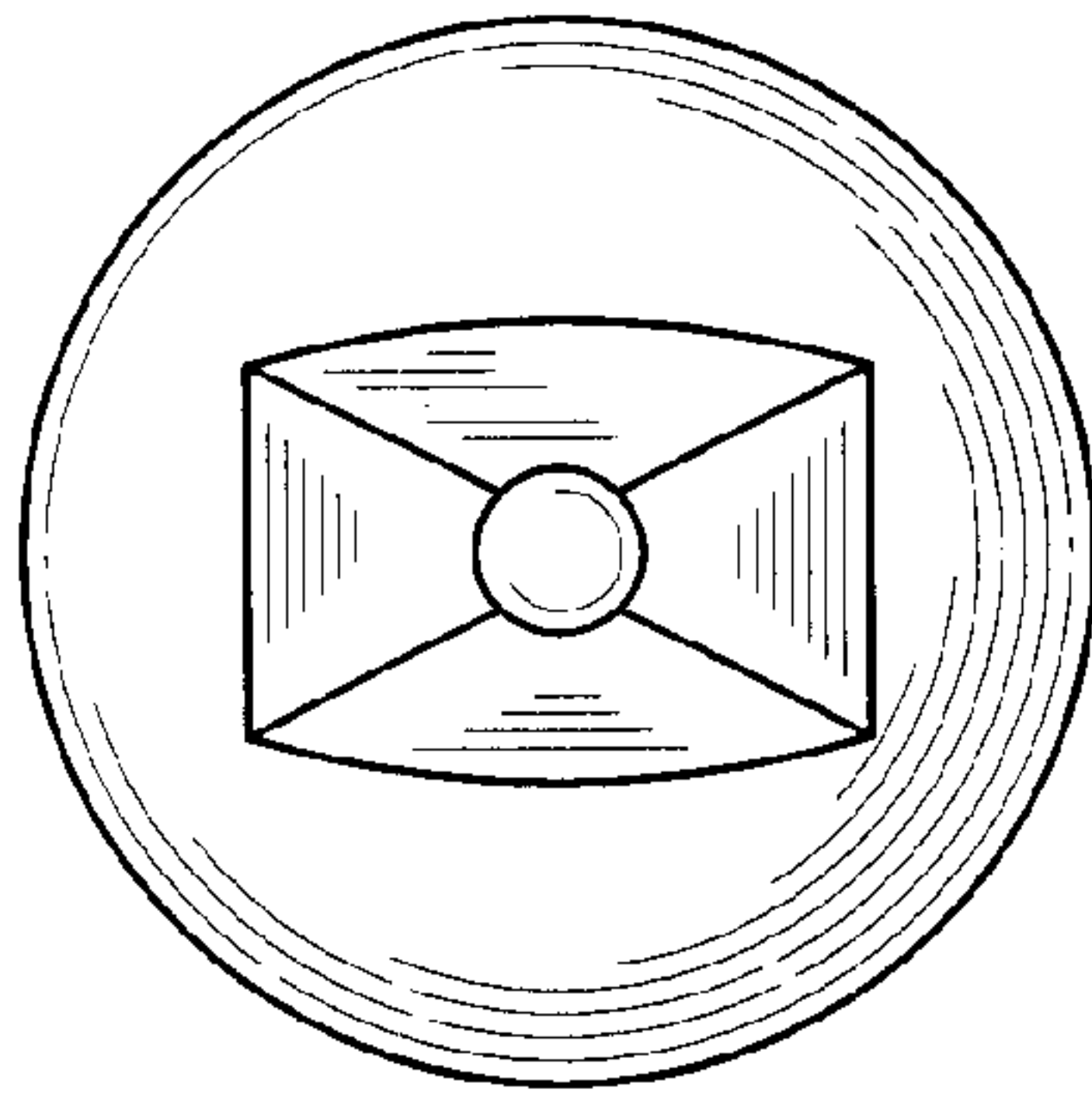


FIG. 2

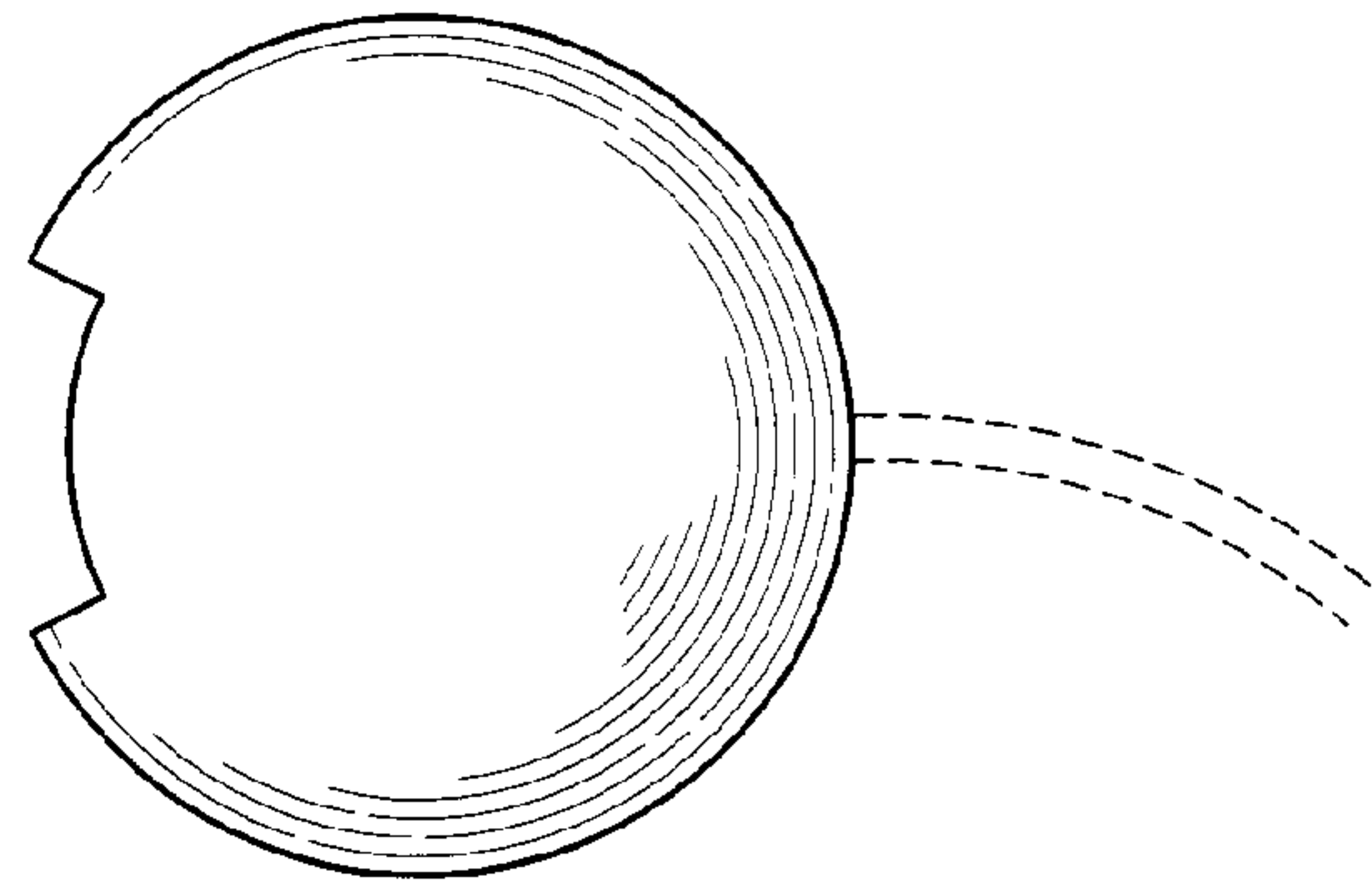


FIG. 3

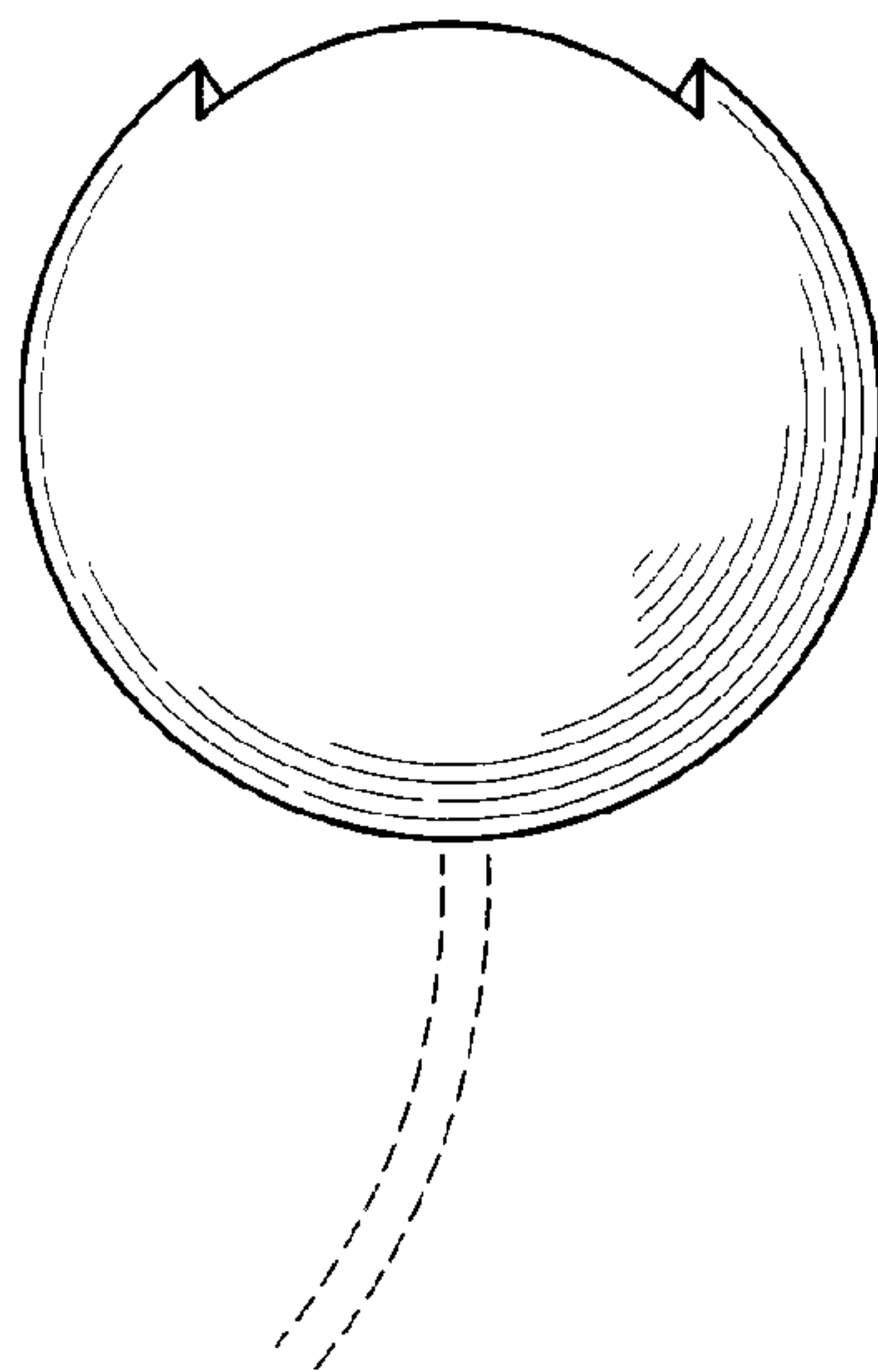
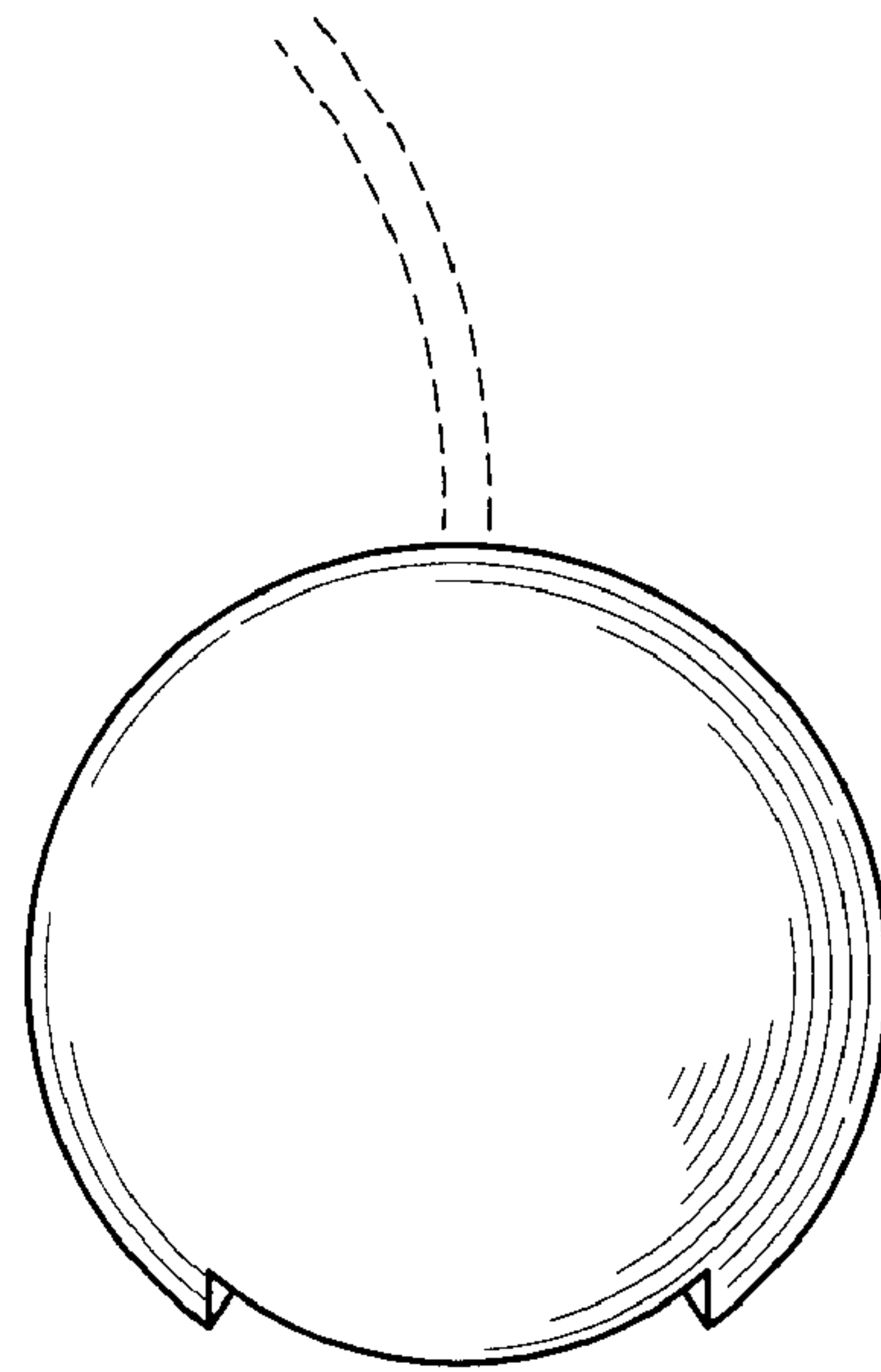
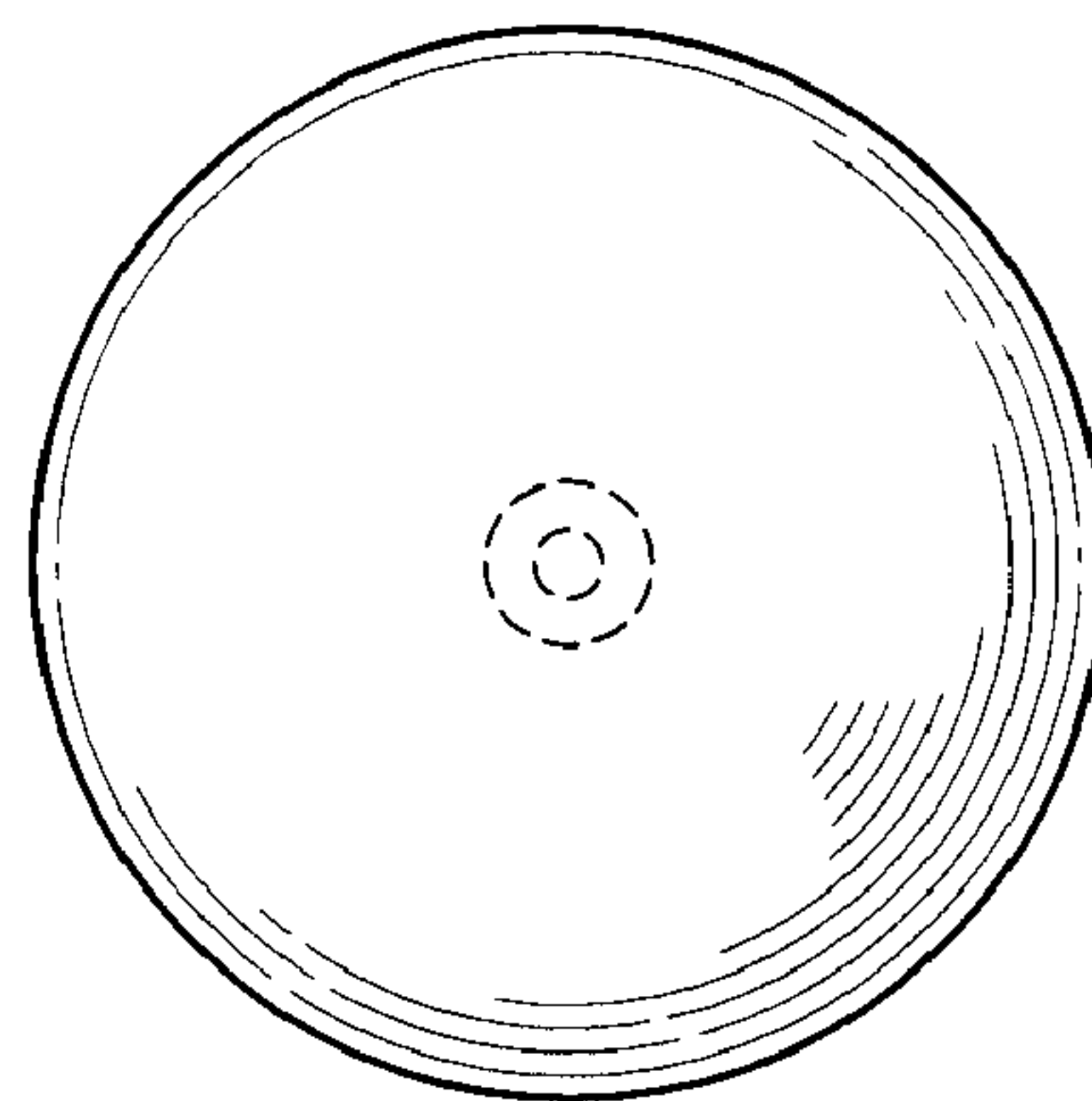


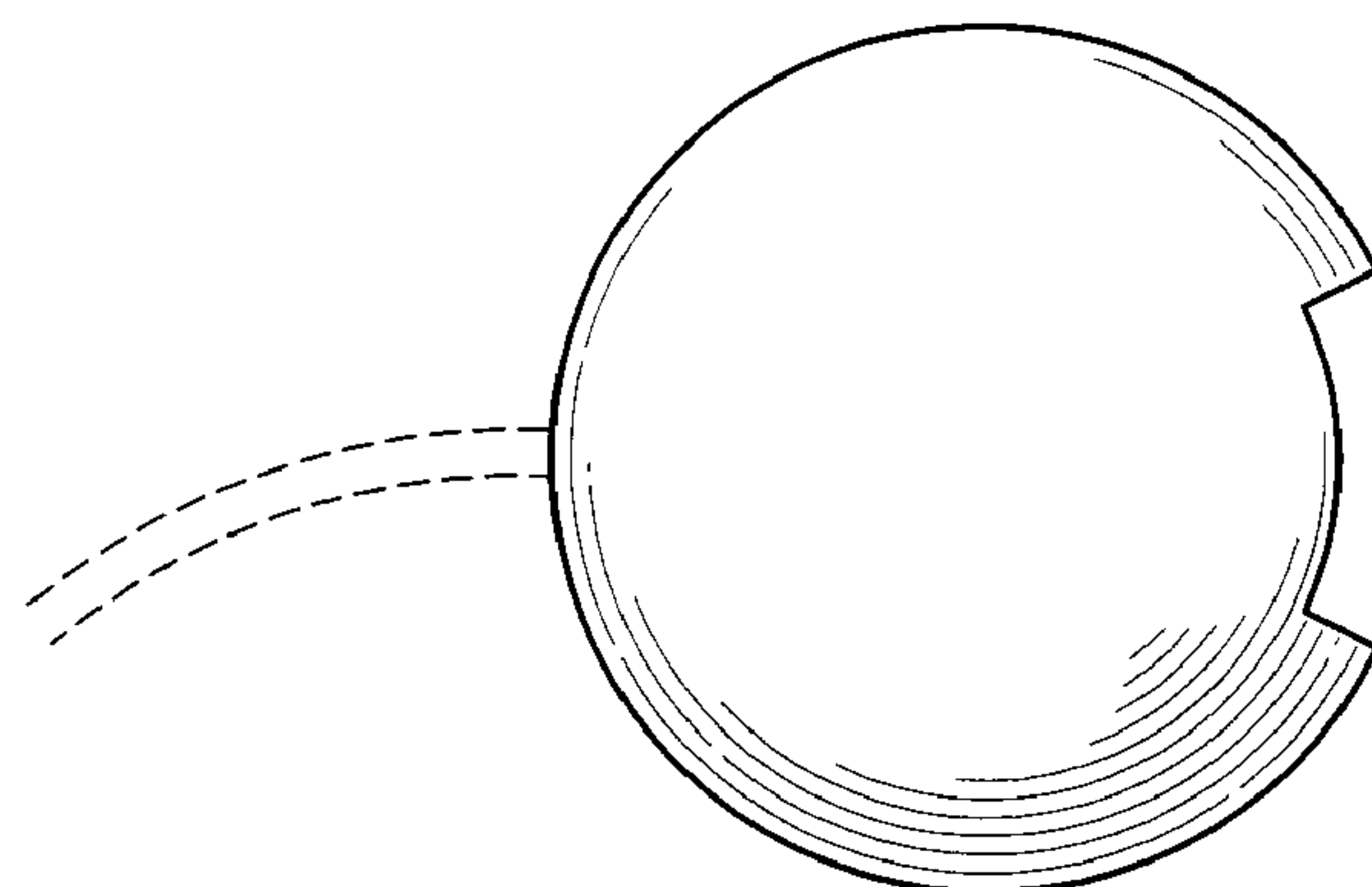
FIG. 4



*FIG. 5*



*FIG. 6*



*FIG. 7*