



US00D516102S

(12) **United States Design Patent**
Vardon

(10) **Patent No.:** **US D516,102 S**

(45) **Date of Patent:** **** Feb. 28, 2006**

- (54) **REFRIGERATOR SHELF**
- (75) Inventor: **François Vardon, El Marqués (MX)**
- (73) Assignee: **Saint-Gobain Glass France, Courbevoie (FR)**
- (**) Term: **14 Years**
- (21) Appl. No.: **29/235,390**
- (22) Filed: **Aug. 2, 2005**

5,362,145 A	*	11/1994	Bird et al.	312/408
5,440,493 A	*	8/1995	Doida	700/99
5,441,338 A	*	8/1995	Kane et al.	312/408
5,677,030 A		10/1997	Shanok et al.	
5,735,589 A		4/1998	Herrmann et al.	
6,045,101 A	*	4/2000	Goyette et al.	248/235
6,105,233 A		8/2000	Neal	
6,488,347 B1	*	12/2002	Bienick	312/408
D482,560 S		11/2003	Danilovski	
6,679,573 B2		1/2004	Bienick	
D495,720 S		9/2004	Avalos Barcenas et al.	

* cited by examiner

Related U.S. Application Data

- (62) Division of application No. 29/217,621, filed on Nov. 22, 2004.
- (51) **LOC (8) Cl.** **15-07**
- (52) **U.S. Cl.** **D15/89**
- (58) **Field of Classification Search** D15/79, D15/81, 85-87, 89; D14/483; 62/440-457, 62/246-255, 337, 3.6; 312/116, 247, 270.3, 312/319, 401, 408; 220/592.1-592.4, 4.31, 220/533; D6/627; 428/122; 700/99; 248/235
See application file for complete search history.

Primary Examiner—Nanda Bondade

Assistant Examiner—Shanda C. Hill

(74) *Attorney, Agent, or Firm*—Oblon, Spivak, McClelland, Maier & Neustadt, P.C.

(57) **CLAIM**

The ornamental design for a refrigerator shelf, as shown and described.

DESCRIPTION

FIG. 1 is a front elevational view of a refrigerator shelf, showing my new design;
 FIG. 2 is a rear elevational view thereof;
 FIG. 3 is a side elevational view thereof;
 FIG. 4 is a top plan view thereof;
 FIG. 5 is a bottom plan view thereof;
 FIG. 6 is a top, front, right perspective view thereof; and,
 FIG. 7 is a bottom, rear, left perspective view thereof.

(56) **References Cited**

U.S. PATENT DOCUMENTS

D142,904 S	11/1945	Paddock	
D309,461 S	7/1990	Bussan et al.	
5,332,611 A	7/1994	Shanok et al.	
5,340,209 A	*	8/1994	Kolbe et al. 312/408
D351,829 S	*	10/1994	Maines D14/483

1 Claim, 5 Drawing Sheets

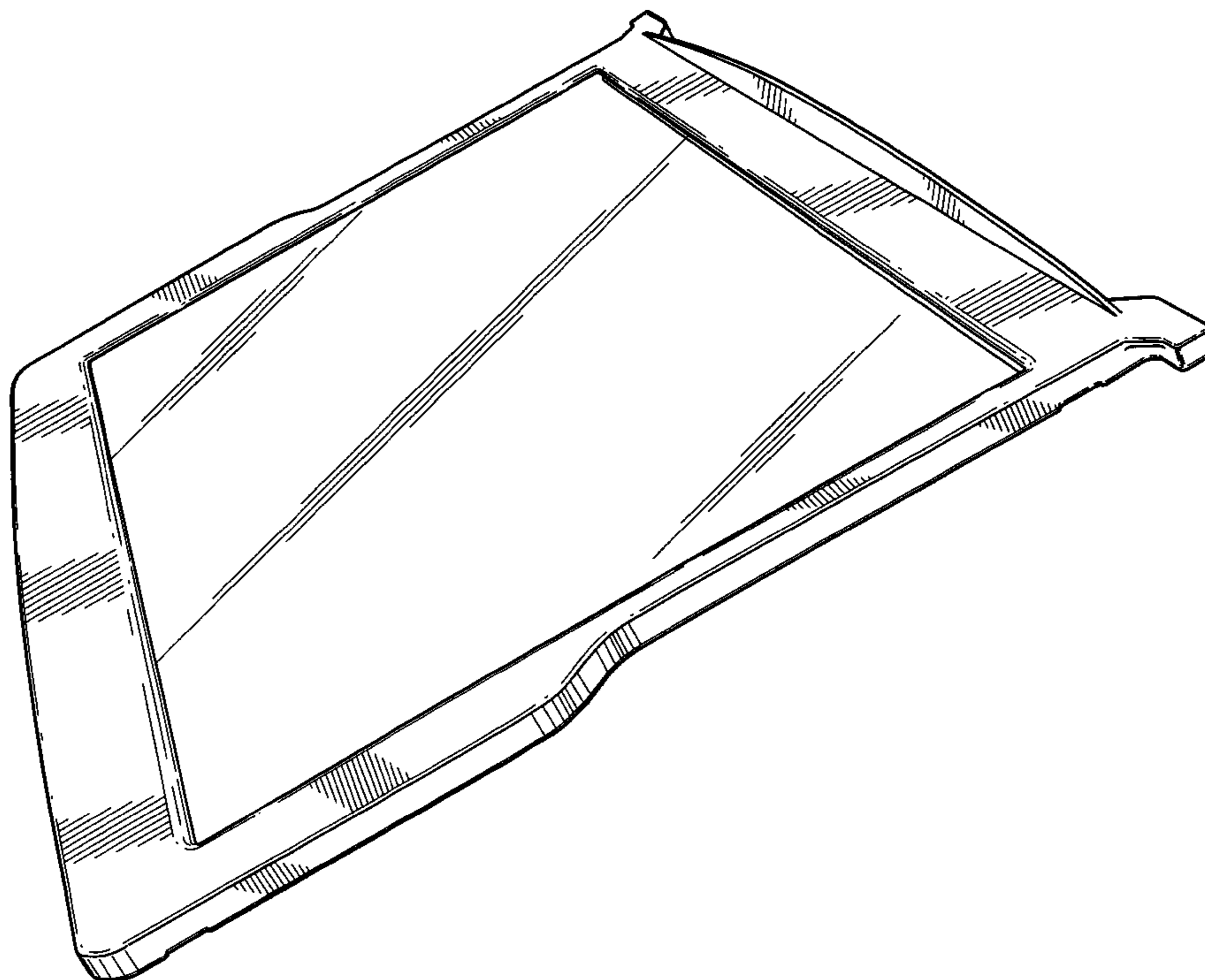




FIG. 1



FIG. 2

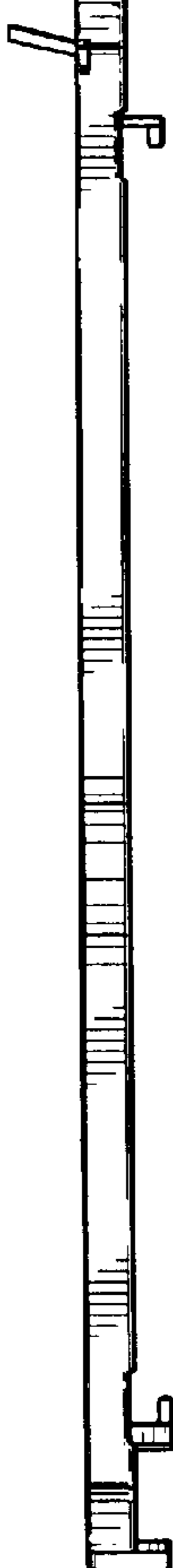


FIG. 3

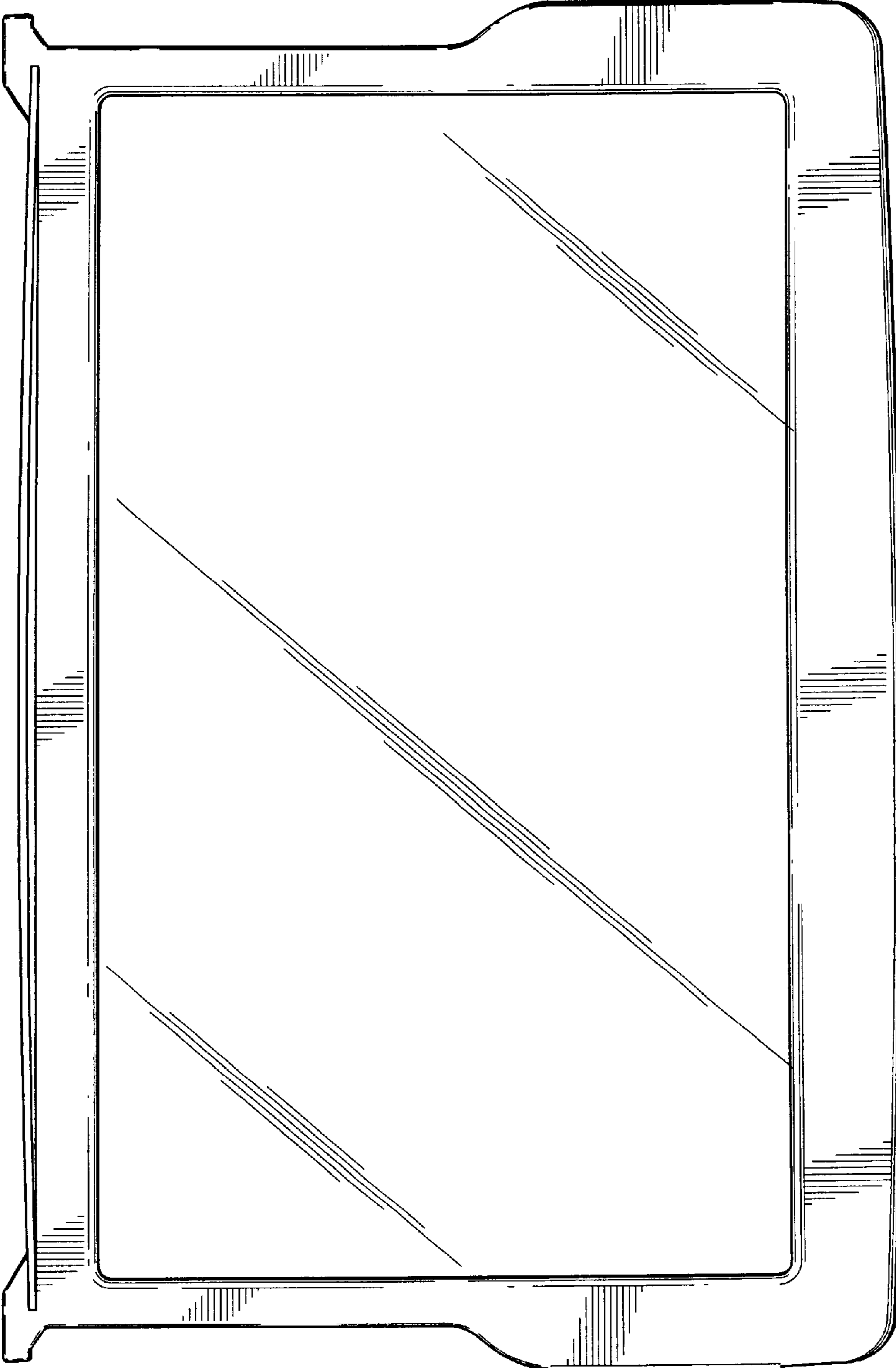


FIG. 4

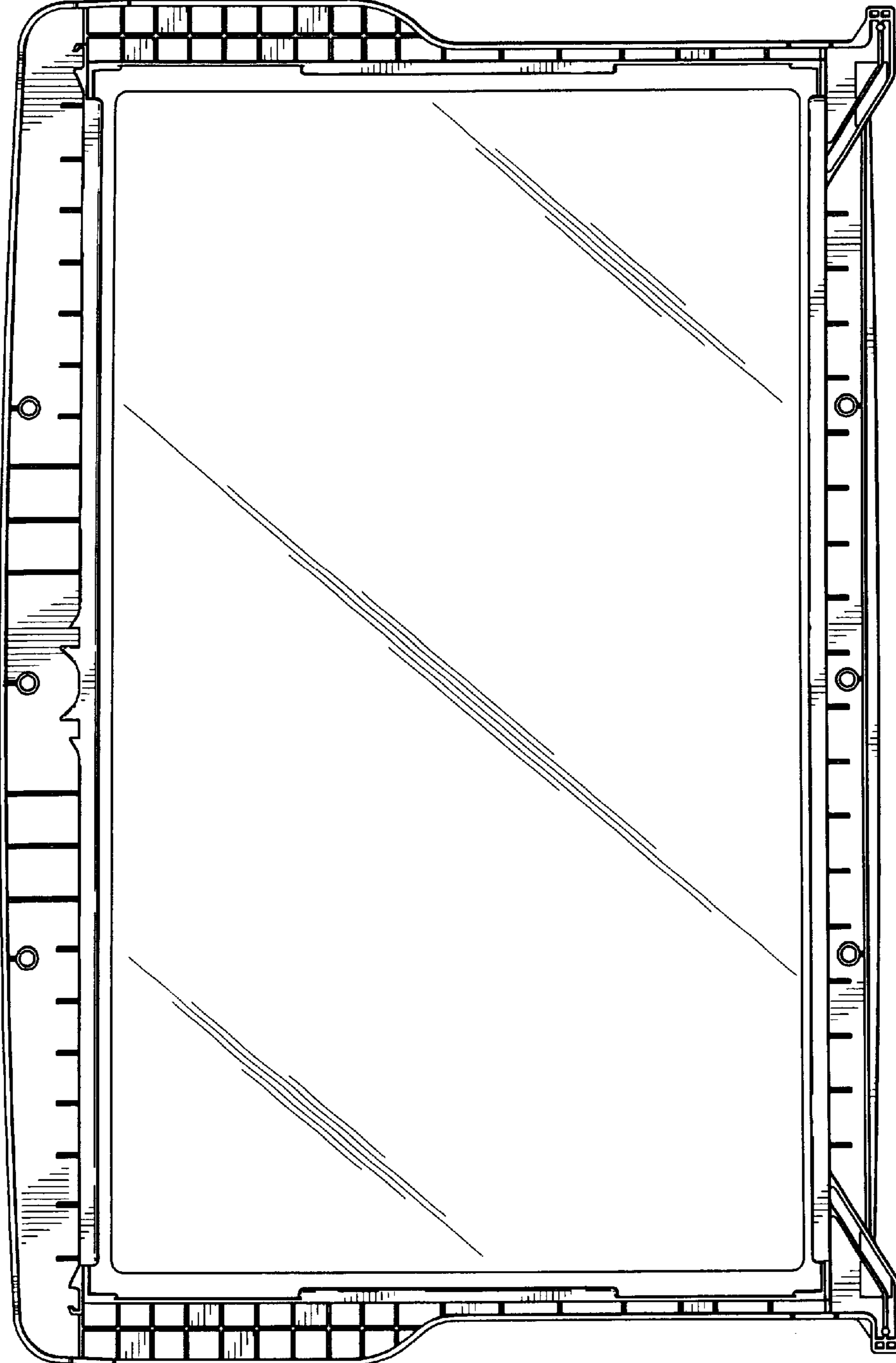


FIG. 5

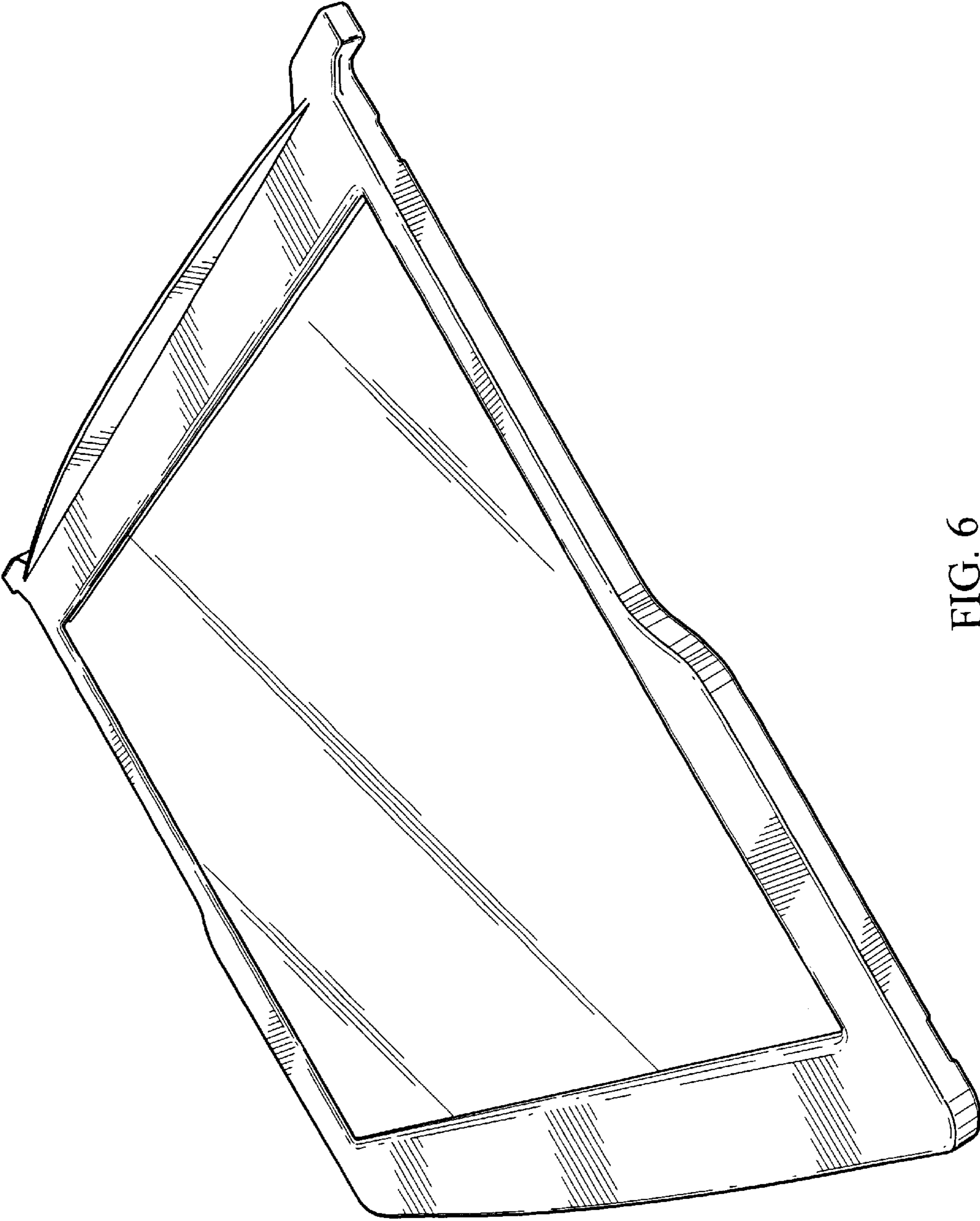


FIG. 6

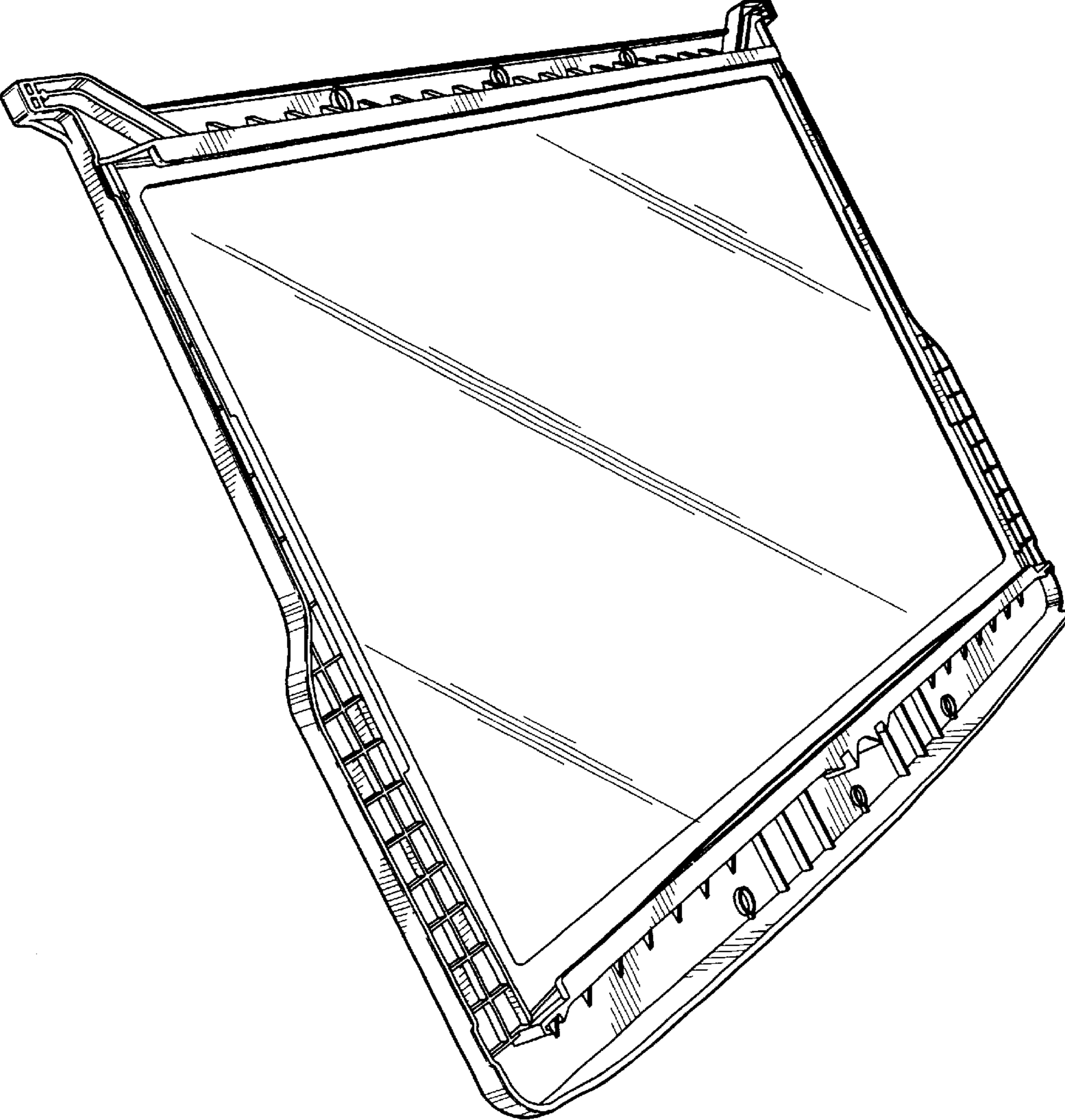


FIG. 7