



US00D516101S

(12) **United States Design Patent**  
**Vardon**

(10) **Patent No.: US D516,101 S**

(45) **Date of Patent: \*\* Feb. 28, 2006**

(54) **REFRIGERATOR SHELF**

(75) Inventor: **François Vardon, El Marqués (MX)**

(73) Assignee: **Saint-Gobain Glass France,**  
**Courbevoie (FR)**

(\*\*) Term: **14 Years**

(21) Appl. No.: **29/235,200**

(22) Filed: **Jul. 29, 2005**

5,362,145 A	*	11/1994	Bird et al. ....	312/408
5,440,493 A	*	8/1995	Doida .....	700/99
5,441,338 A	*	8/1995	Kane et al. ....	312/408
5,677,030 A		10/1997	Shanok et al.	
5,735,589 A		4/1998	Herrmann et al.	
6,045,101 A	*	4/2000	Goyette et al. ....	248/235
6,105,233 A		8/2000	Neal	
6,488,347 B1	*	12/2002	Bienick .....	312/408
D482,560 S		11/2003	Danilovski	
6,679,573 B1		1/2004	Bienick	
D495,720 S		9/2004	Avalos Barcenás et al.	

\* cited by examiner

**Related U.S. Application Data**

(62) Division of application No. 29/217,552, filed on Nov. 19, 2004.

(51) **LOC (8) Cl. .... 15-07**

(52) **U.S. Cl. .... D15/89**

(58) **Field of Classification Search** ..... D15/79,  
D15/81, 85-87, 89; D14/483; 62/440-457,  
62/246-255, 337, 3.6; 312/116, 247, 270.3,  
312/319, 401, 408; 220/592.1-592.4, 4.31,  
220/533; D6/627; 428/122; 700/99; 248/235  
See application file for complete search history.

*Primary Examiner*—Nanda Bondade

*Assistant Examiner*—Shanda C. Hill

(74) *Attorney, Agent, or Firm*—Oblon, Spivak, McClelland,  
Maier & Neustadt, P.C.

(57) **CLAIM**

The ornamental design for a refrigerator shelf, as shown and described.

**DESCRIPTION**

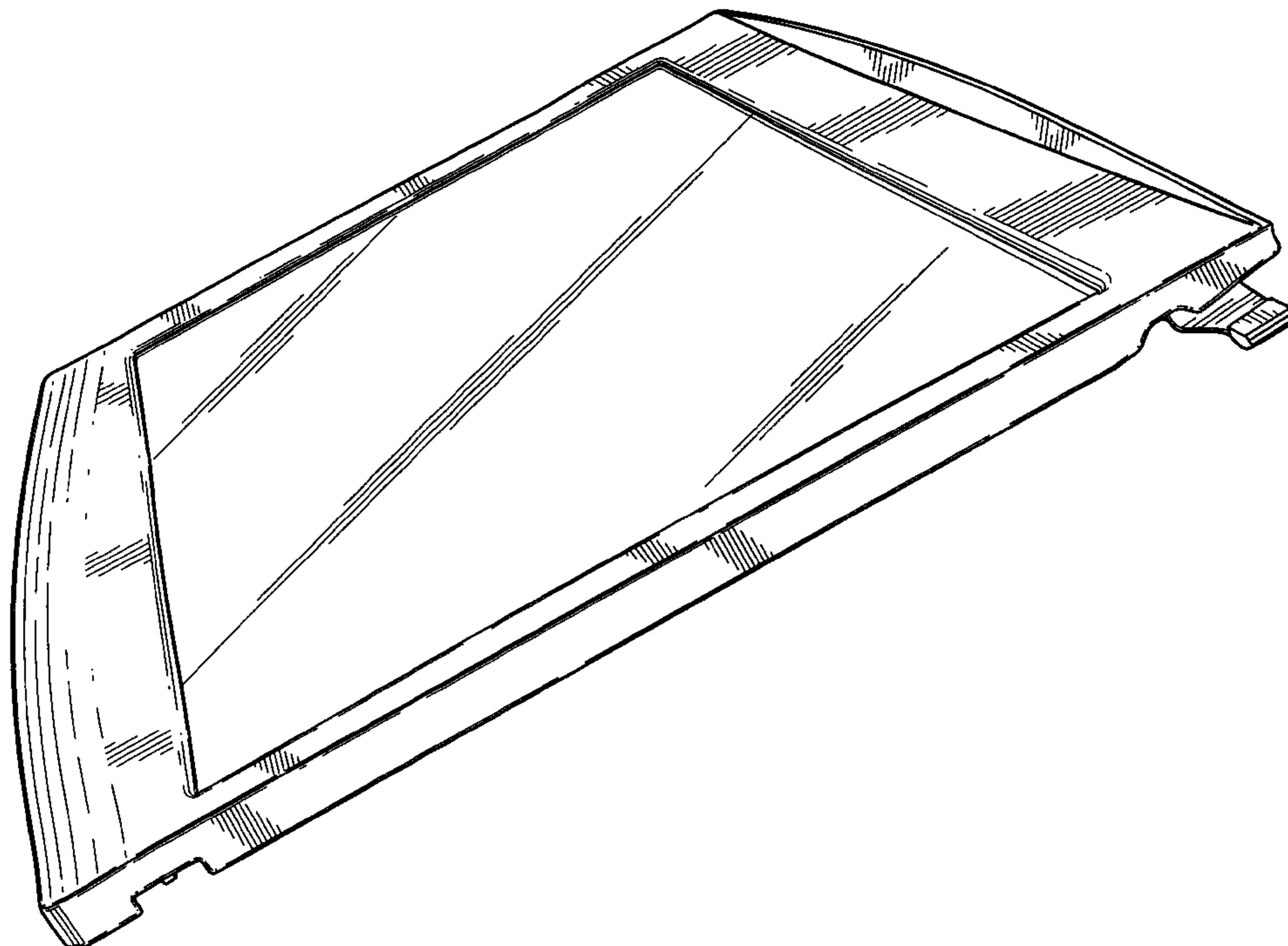
FIG. 1 is a front elevational view of a refrigerator shelf, showing my new design;  
FIG. 2 is a rear elevational view thereof;  
FIG. 3 is a side elevational view thereof;  
FIG. 4 is a top plan view thereof;  
FIG. 5 is a bottom plan view thereof;  
FIG. 6 is a top, front, right perspective view thereof; and,  
FIG. 7 is a bottom, rear, left perspective view thereof.

(56) **References Cited**

**U.S. PATENT DOCUMENTS**

D142,904 S	11/1945	Paddock	
D309,461 S	7/1990	Bussan et al.	
5,332,611 A	7/1994	Shanok et al.	
5,340,209 A	*	8/1994	Kolbe et al. .... 312/408
D351,829 S	*	10/1994	Maines ..... D14/483

**1 Claim, 5 Drawing Sheets**



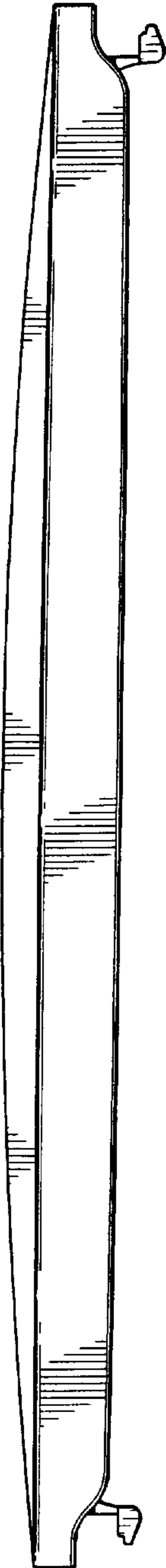


FIG. 1

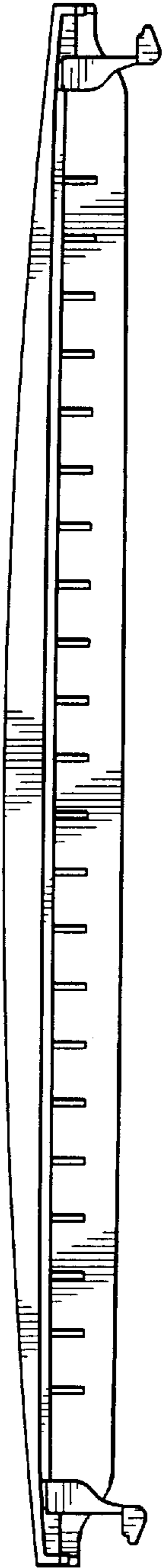


FIG. 2

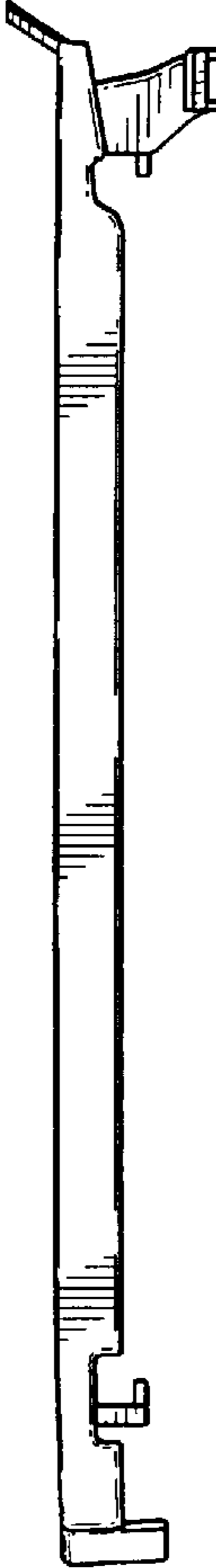


FIG. 3

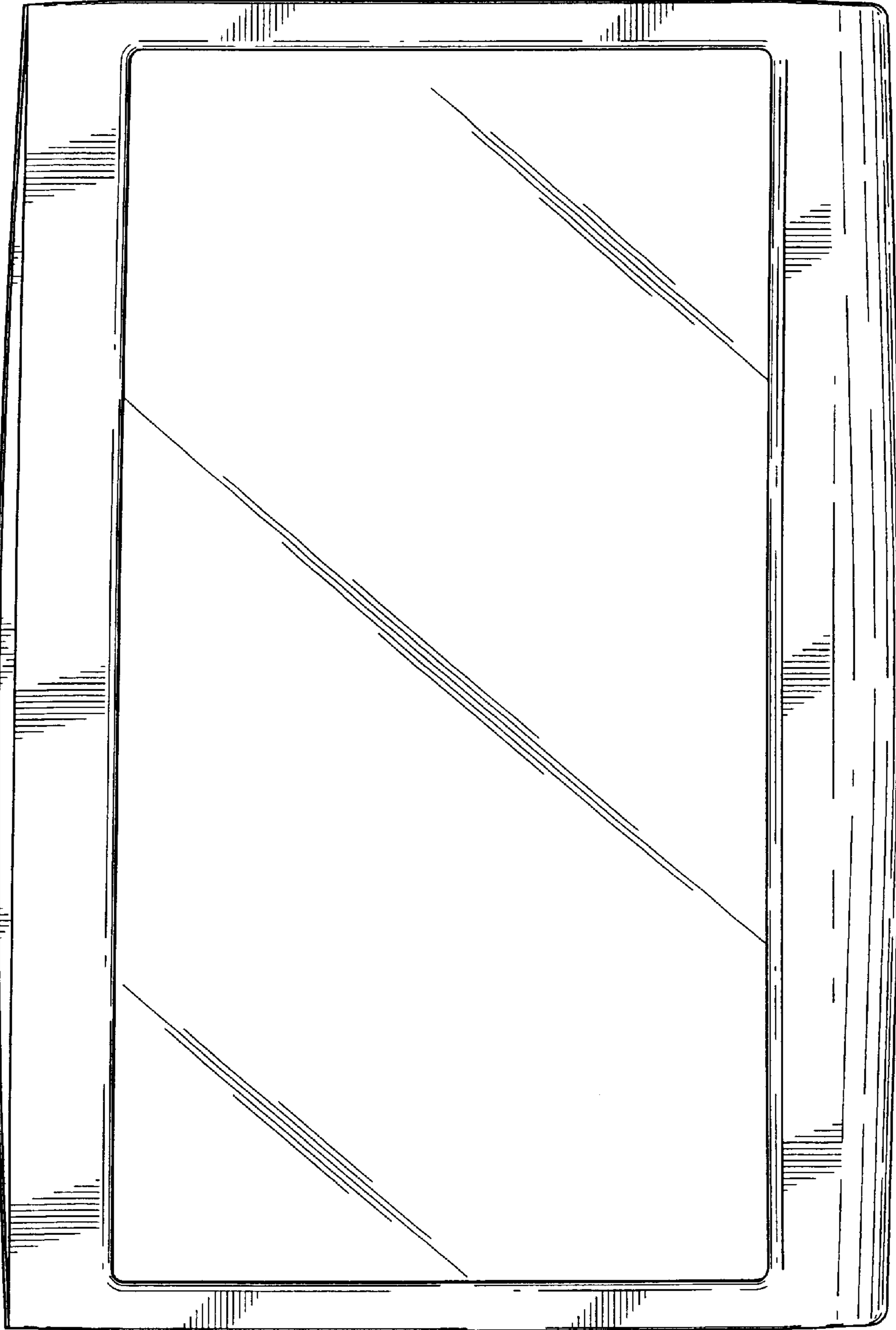


FIG. 4

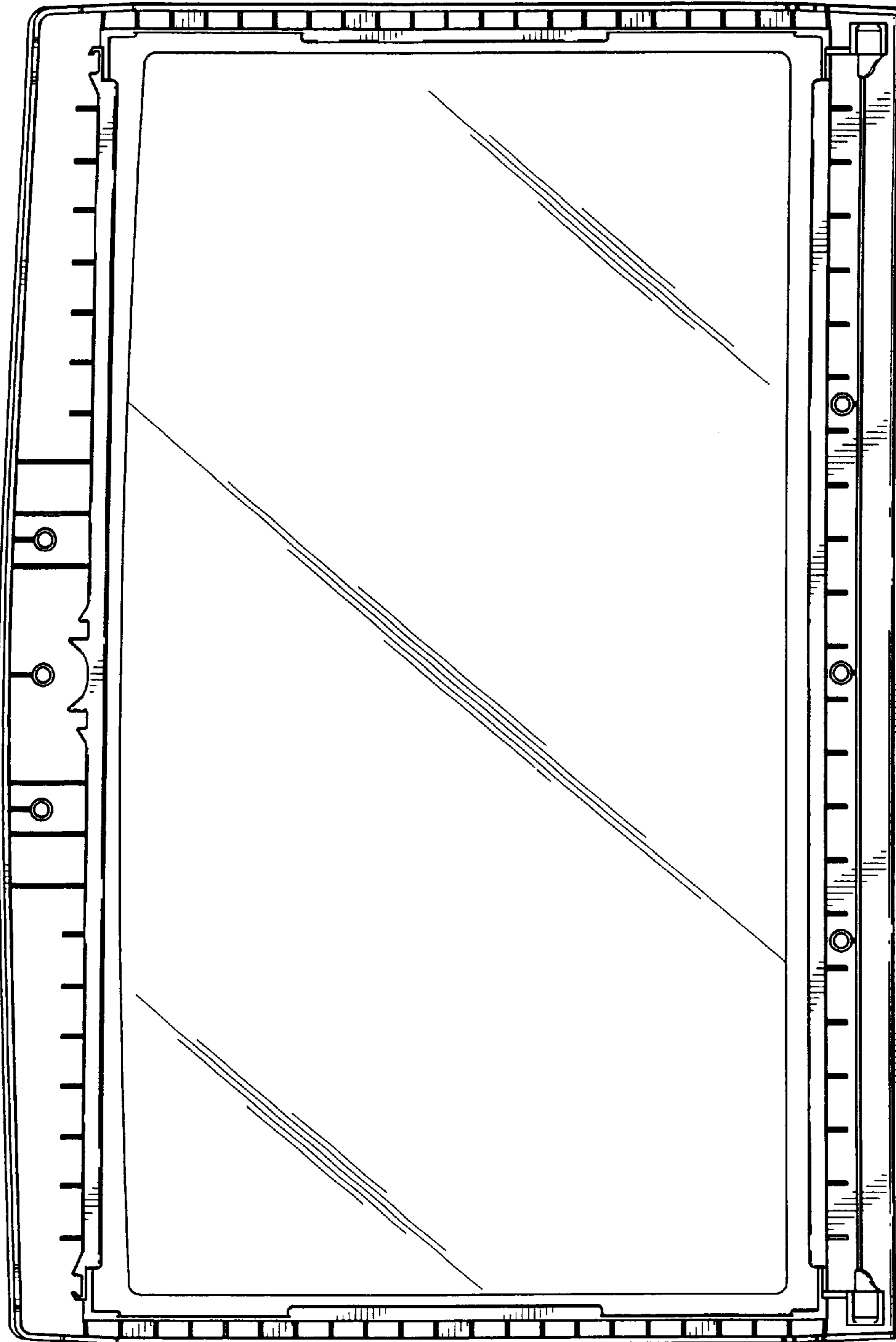


FIG. 5

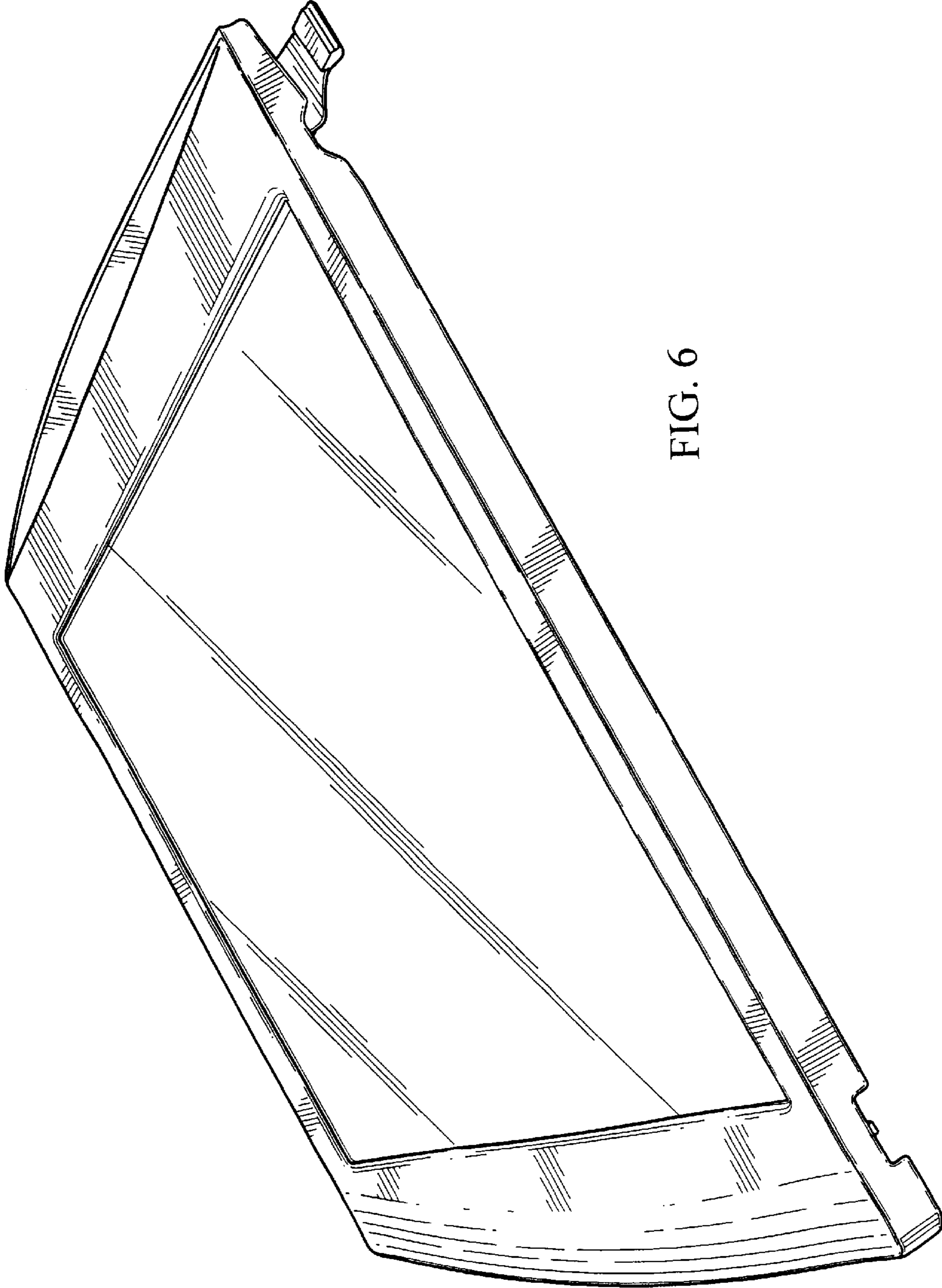


FIG. 6

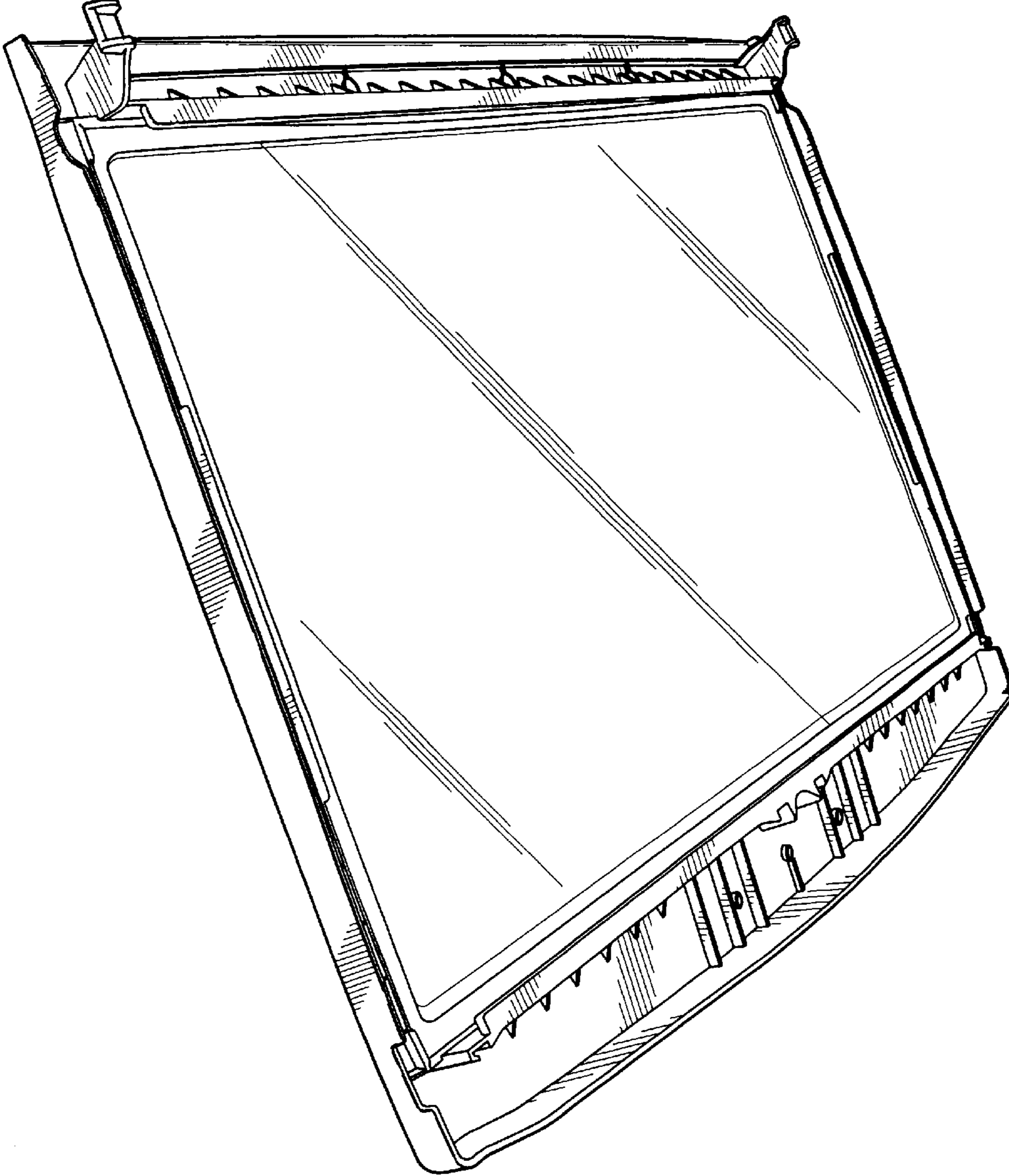


FIG. 7