



US00D516100S

(12) **United States Design Patent**  
**Vardon**

(10) **Patent No.:** **US D516,100 S**  
(45) **Date of Patent:** **\*\* Feb. 28, 2006**

(54) **REFRIGERATOR SHELF**  
(75) **Inventor:** **François Vardon, El Marqués (MX)**  
(73) **Assignee:** **Saint Gobain Glass France,**  
**Courbevoie (FR)**  
(\*\*) **Term:** **14 Years**

5,677,030 A 10/1997 Shanok et al.  
5,735,589 A 4/1998 Herrmann et al.  
6,105,233 A 8/2000 Neal  
D482,560 S 11/2003 Danilovski  
6,679,573 B2 1/2004 Bienick  
D495,720 S 9/2004 Avalos Barcenás et al.

*Primary Examiner*—Nanda Bondade  
*Assistant Examiner*—Shanda C. Hill  
(74) *Attorney, Agent, or Firm*—Oblon, Spivak, McClelland,  
Maier & Neustadt, P.C.

(21) **Appl. No.:** **29/217,049**  
(22) **Filed:** **Nov. 15, 2004**

(57) **CLAIM**

(51) **LOC (8) Cl.** ..... **15-07**  
(52) **U.S. Cl.** ..... **D15/89**  
(58) **Field of Classification Search** ..... D15/79,  
D15/81, 85–87, 89; 62/440–449, 457, 246–255,  
62/337, 3.6; 312/116, 247, 270.3, 319, 401,  
312/408; 220/592.1–592.4, 4.31, 533; D6/627;  
428/122; 29/451

The ornamental design for a refrigerator shelf, as shown and described.

See application file for complete search history.

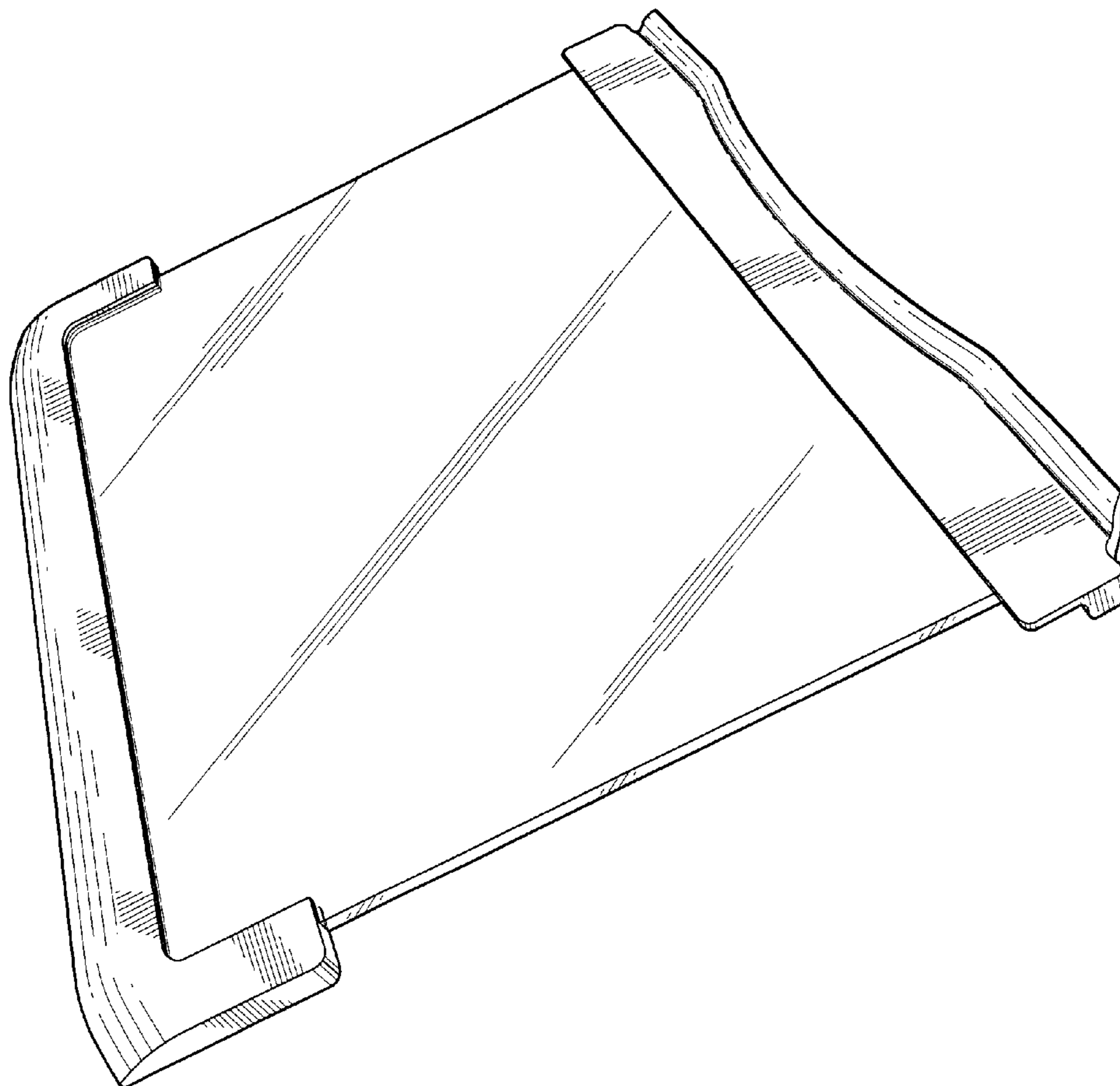
**DESCRIPTION**

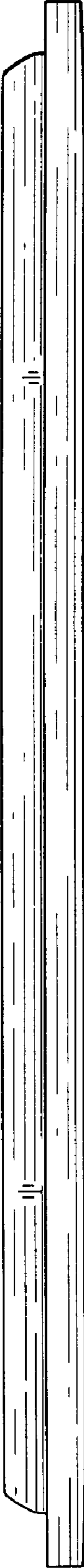
FIG. 1 is a front elevational view of a refrigerator shelf showing my new design;  
FIG. 2 is a rear elevational view thereof;  
FIG. 3 is a side elevational view thereof;  
FIG. 4 is a top plan view thereof;  
FIG. 5 is a bottom plan view thereof;  
FIG. 6 is a top, front, right perspective view thereof; and,  
FIG. 7 is a bottom, rear, left perspective view thereof.

(56) **References Cited**  
**U.S. PATENT DOCUMENTS**

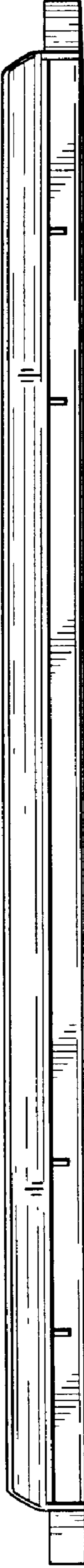
D142,904 S 11/1945 Paddock  
D309,461 S 7/1990 Bussan et al.  
5,332,611 A 7/1994 Shanok et al.

**1 Claim, 5 Drawing Sheets**

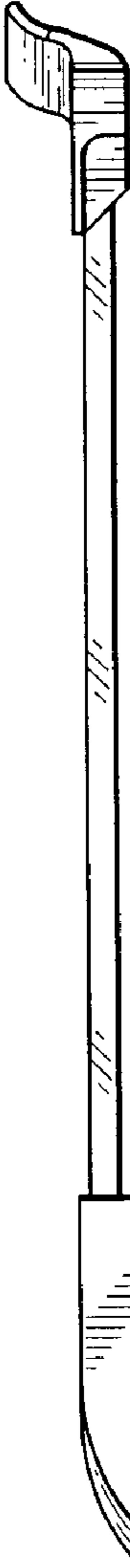




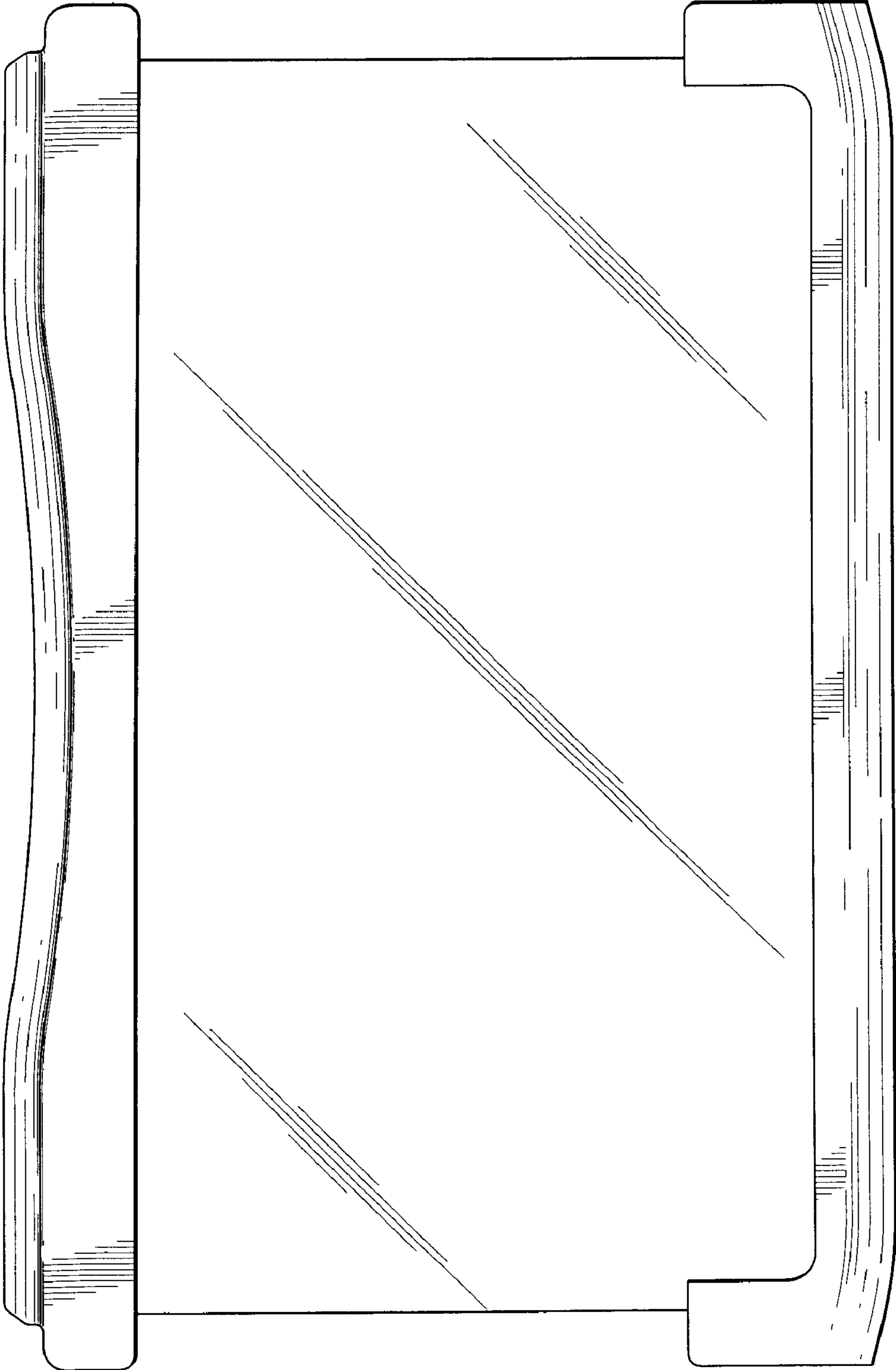
*FIG. 1*



*FIG. 2*



*FIG. 3*



*FIG. 4*

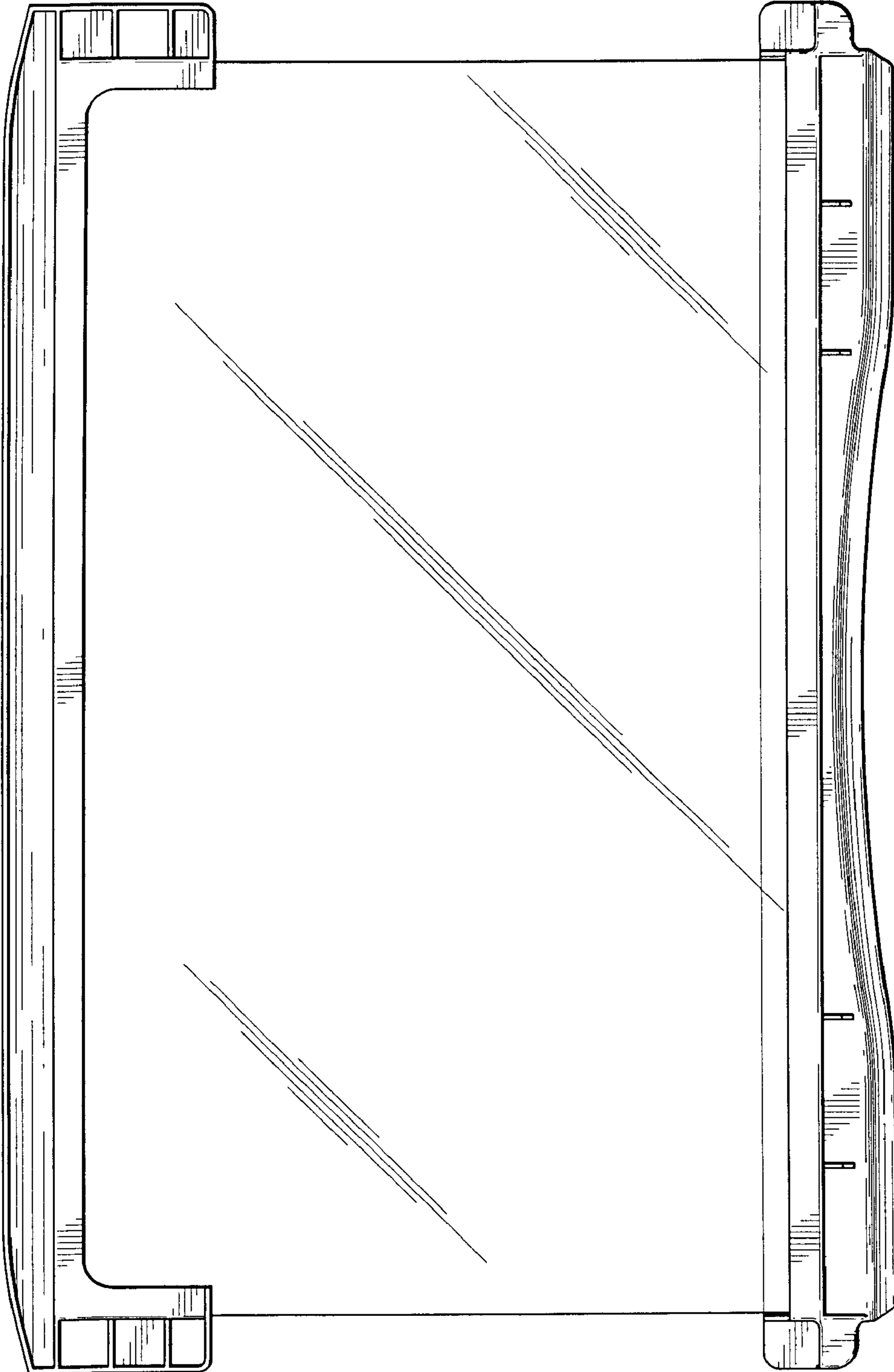
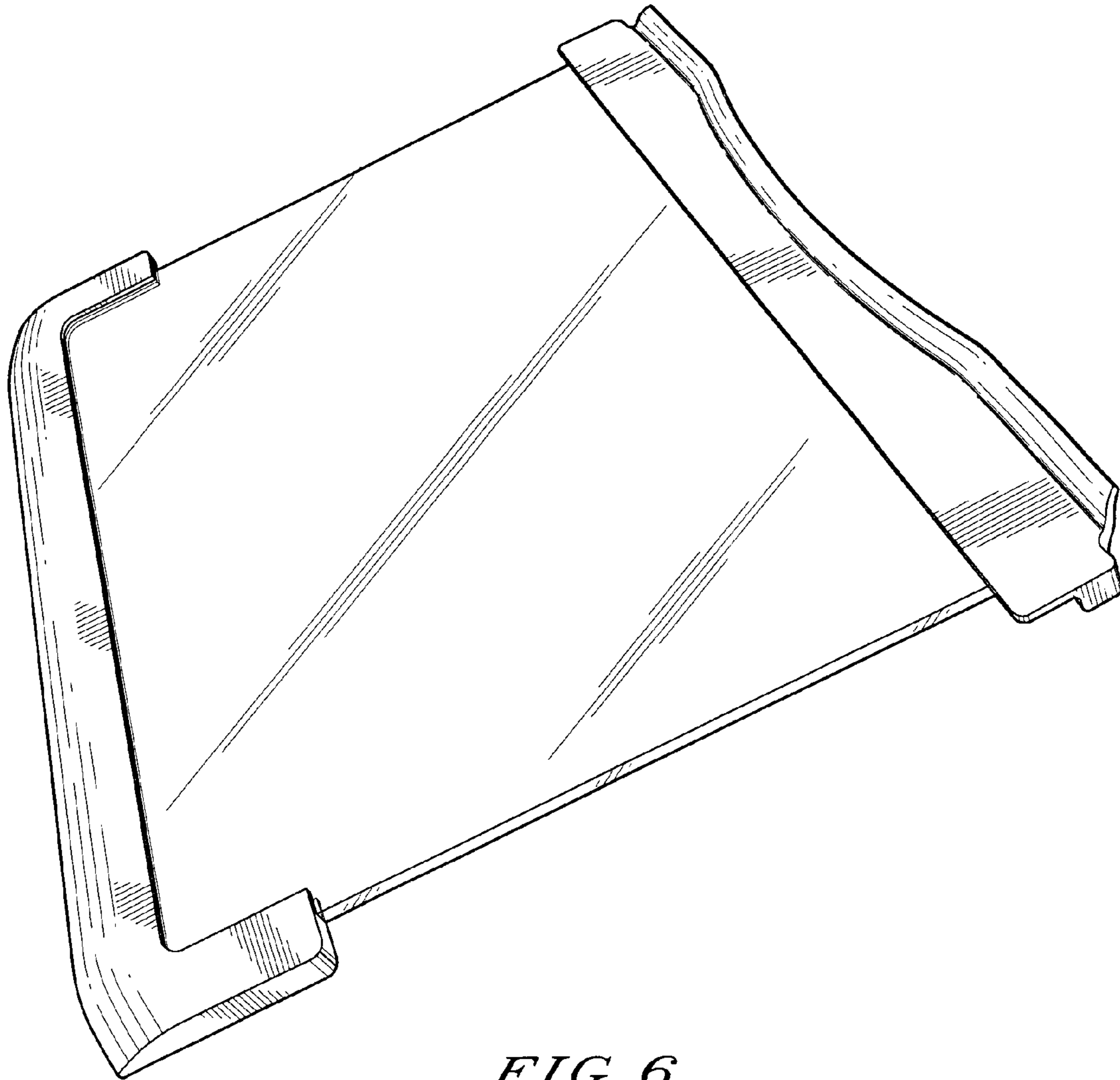
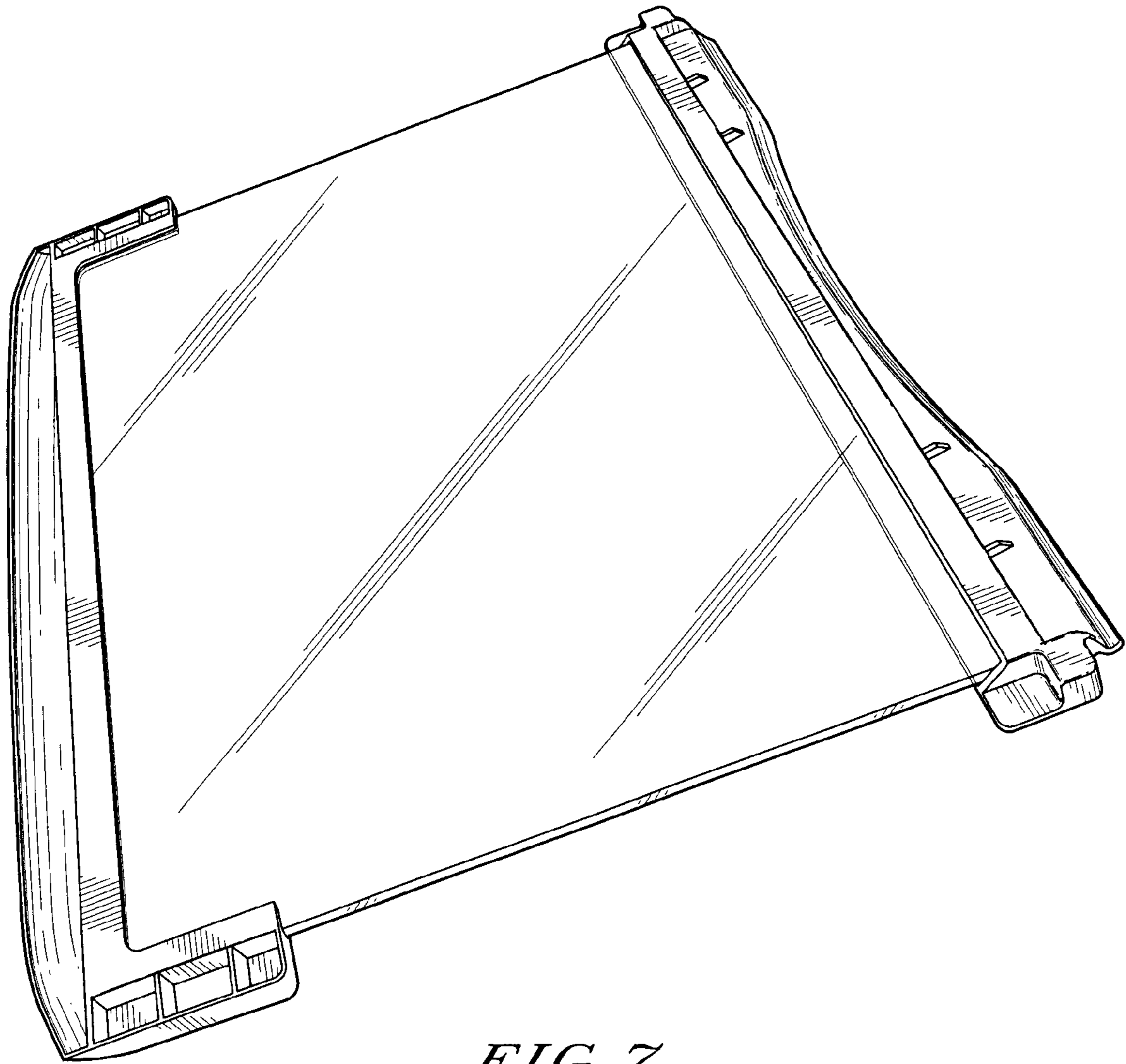


FIG. 5



*FIG. 6*



*FIG. 7*