



US00D516099S

(12) **United States Design Patent**  
**Maruyama**

(10) **Patent No.:** **US D516,099 S**  
(45) **Date of Patent:** **\*\* Feb. 28, 2006**

(54) **PORTABLE REFRIGERATOR**  
(75) **Inventor:** **Kaname Maruyama, Niigata-ken (JP)**  
(73) **Assignee:** **Twinbird Corporation (JP)**  
(\*\*) **Term:** **14 Years**

(21) **Appl. No.:** **29/199,105**  
(22) **Filed:** **Feb. 10, 2004**

(30) **Foreign Application Priority Data**  
Aug. 12, 2003 (JP) ..... 2003-023433

(51) **LOC (8) Cl.** ..... **15-07**  
(52) **U.S. Cl.** ..... **D15/83**  
(58) **Field of Classification Search** ..... D15/79,  
D15/81, 83; D7/605; D9/424; 62/362, 457.1,  
62/457.7; 220/592.03  
See application file for complete search history.

(56) **References Cited**  
**U.S. PATENT DOCUMENTS**  
D350,048 S \* 8/1994 Kahl et al. .... D7/605

D381,870 S \* 8/1997 Wedi ..... D7/605  
D399,654 S \* 10/1998 Mandell ..... D9/424  
D440,123 S \* 4/2001 Lin et al. .... D7/605  
6,305,185 B1 \* 10/2001 Sloan ..... 62/457.7

\* cited by examiner  
*Primary Examiner*—Nanda Bondade  
*Assistant Examiner*—Shanda C. Hill  
(74) *Attorney, Agent, or Firm*—Akerman Senterfitt

(57) **CLAIM**

The ornamental design for a portable refrigerator, as shown and described.

**DESCRIPTION**

FIG. 1 is a front perspective view from above of a portable refrigerator, showing my new design;  
FIG. 2 is a front view thereof;  
FIG. 3 is a rear view thereof;  
FIG. 4 is a top plan view thereof  
FIG. 5 is a bottom plan view thereof;  
FIG. 6 is a left side view thereof; and,  
FIG. 7 is a right side view thereof.

**1 Claim, 7 Drawing Sheets**

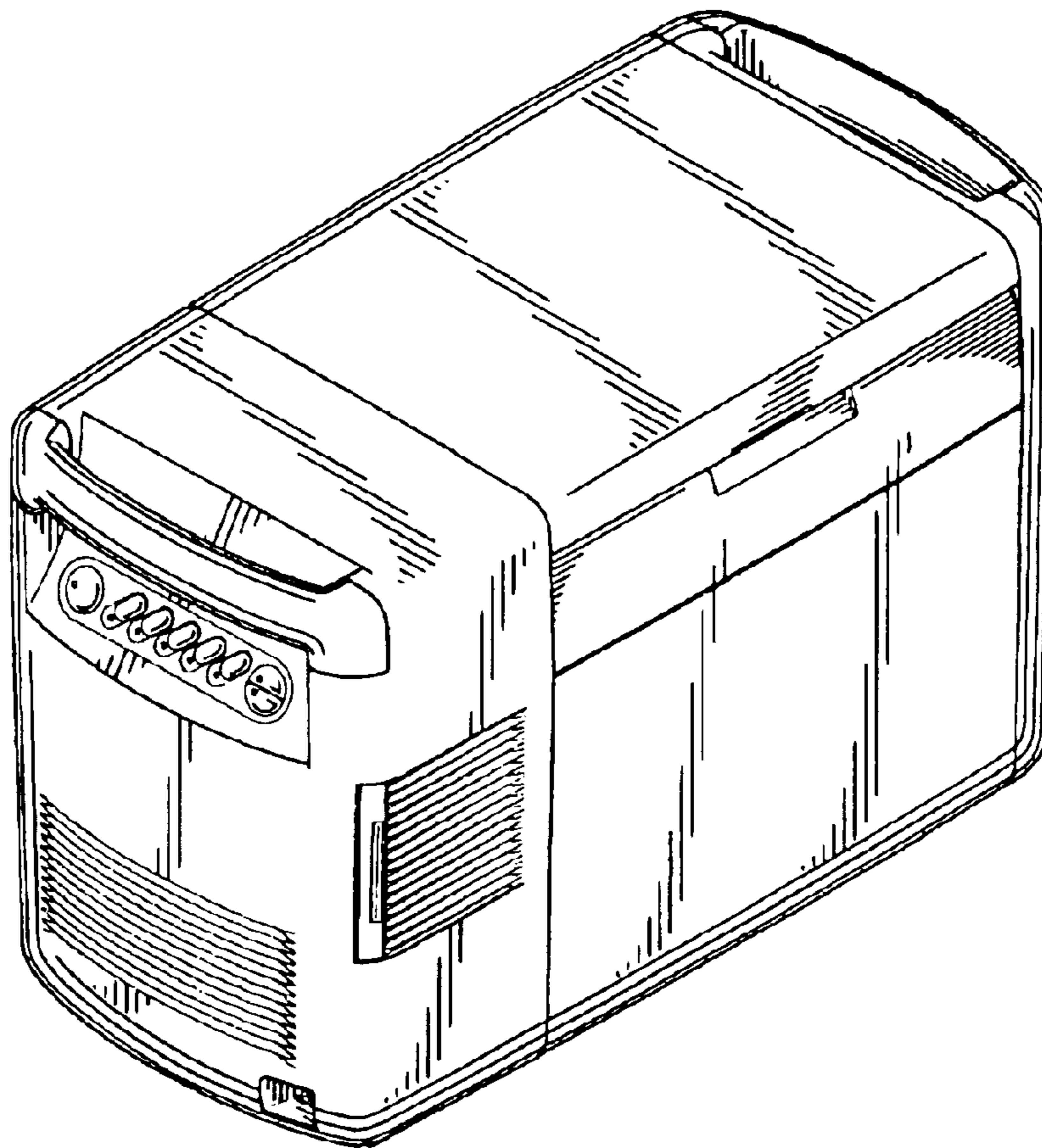


FIG. 1

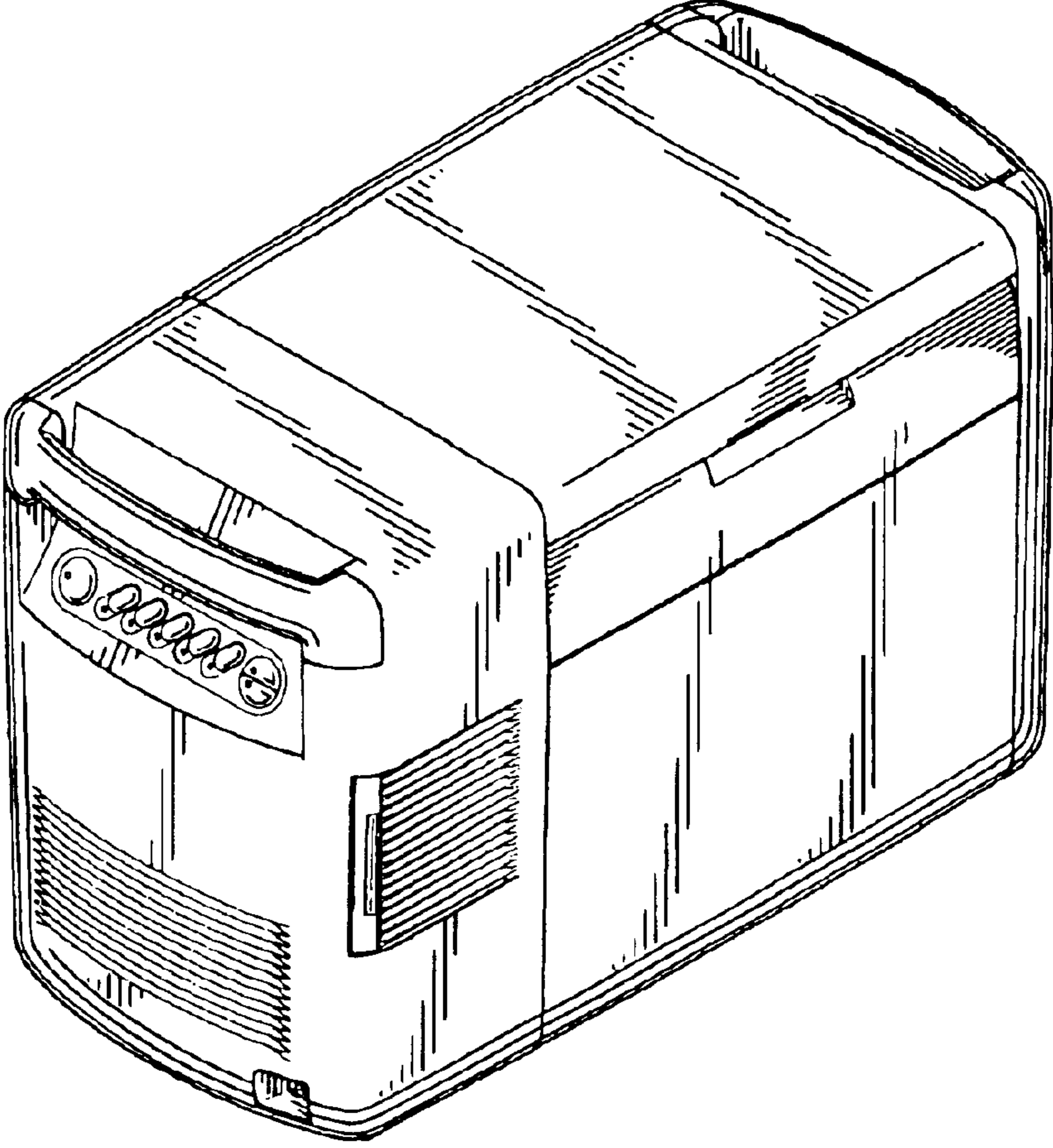


FIG. 2

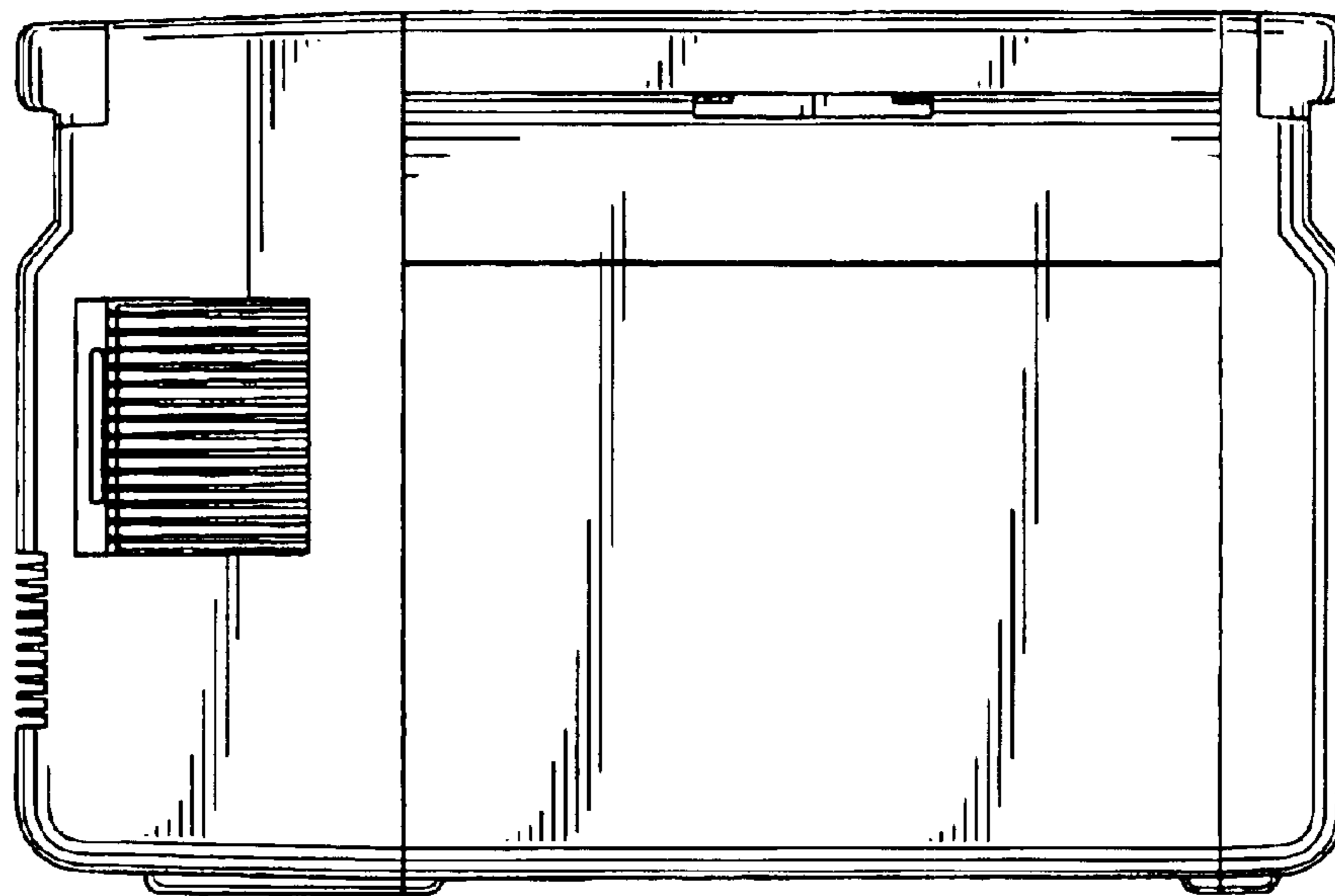


FIG. 3

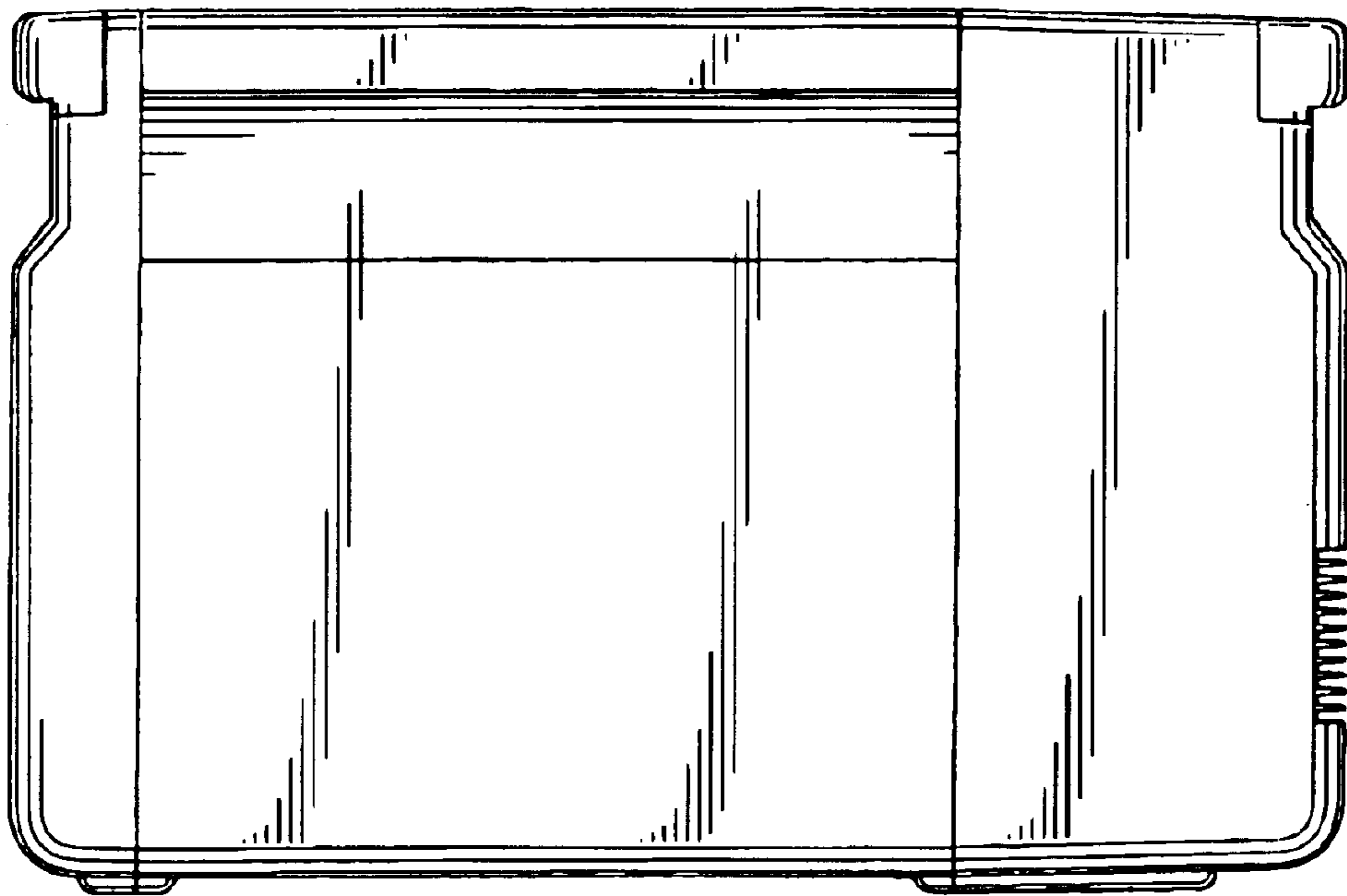


FIG. 4

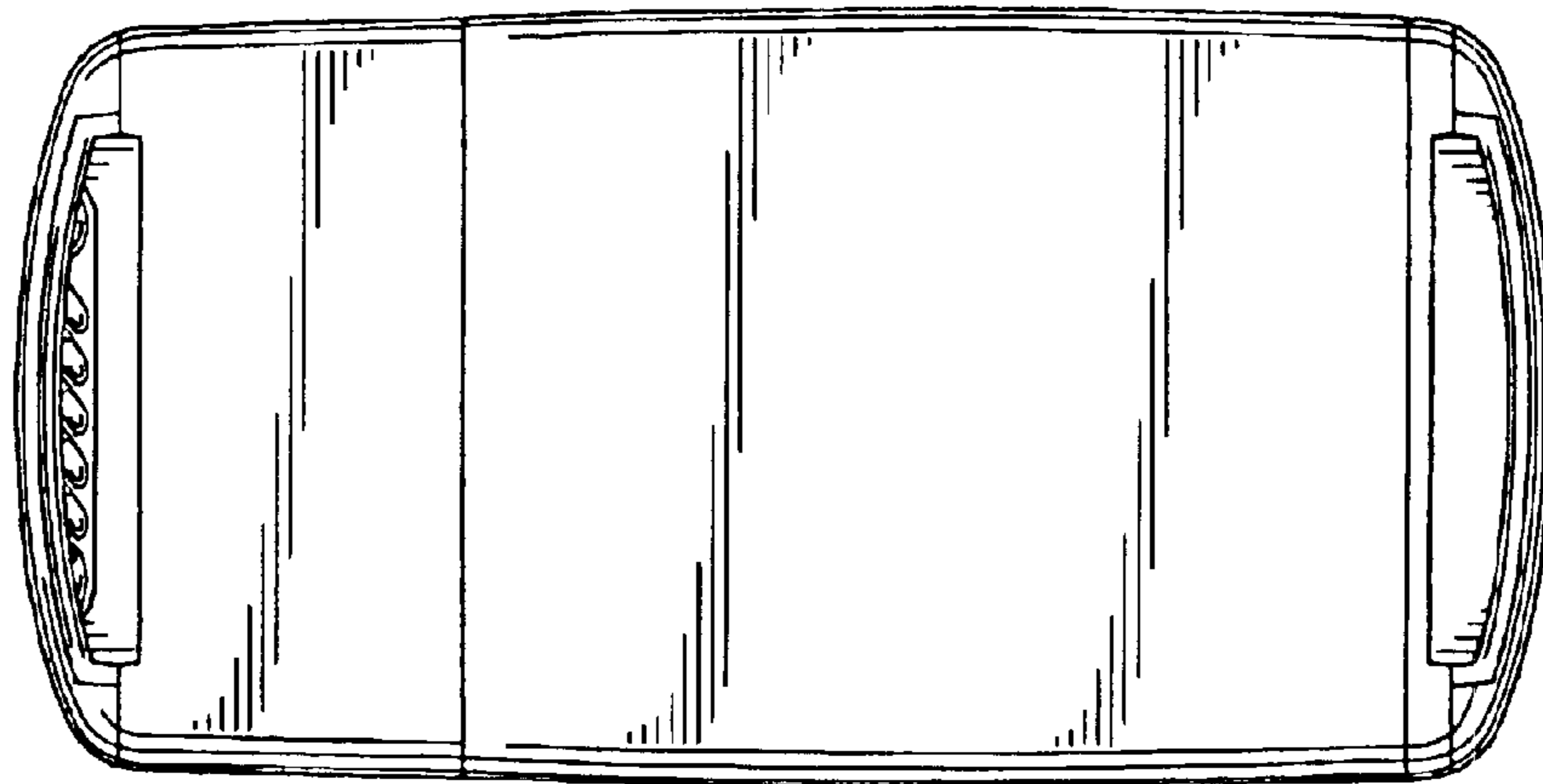


FIG. 5

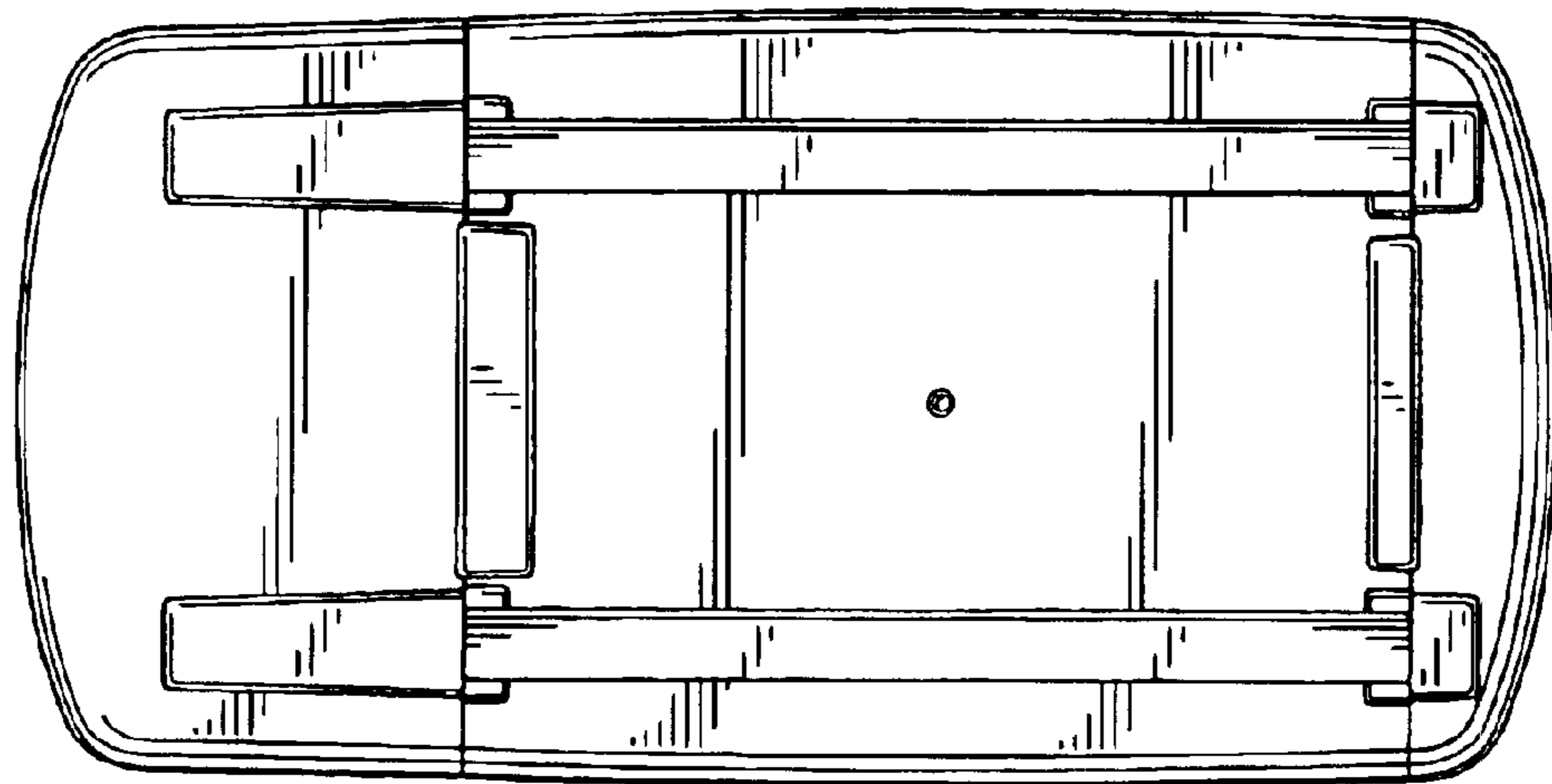


FIG. 6

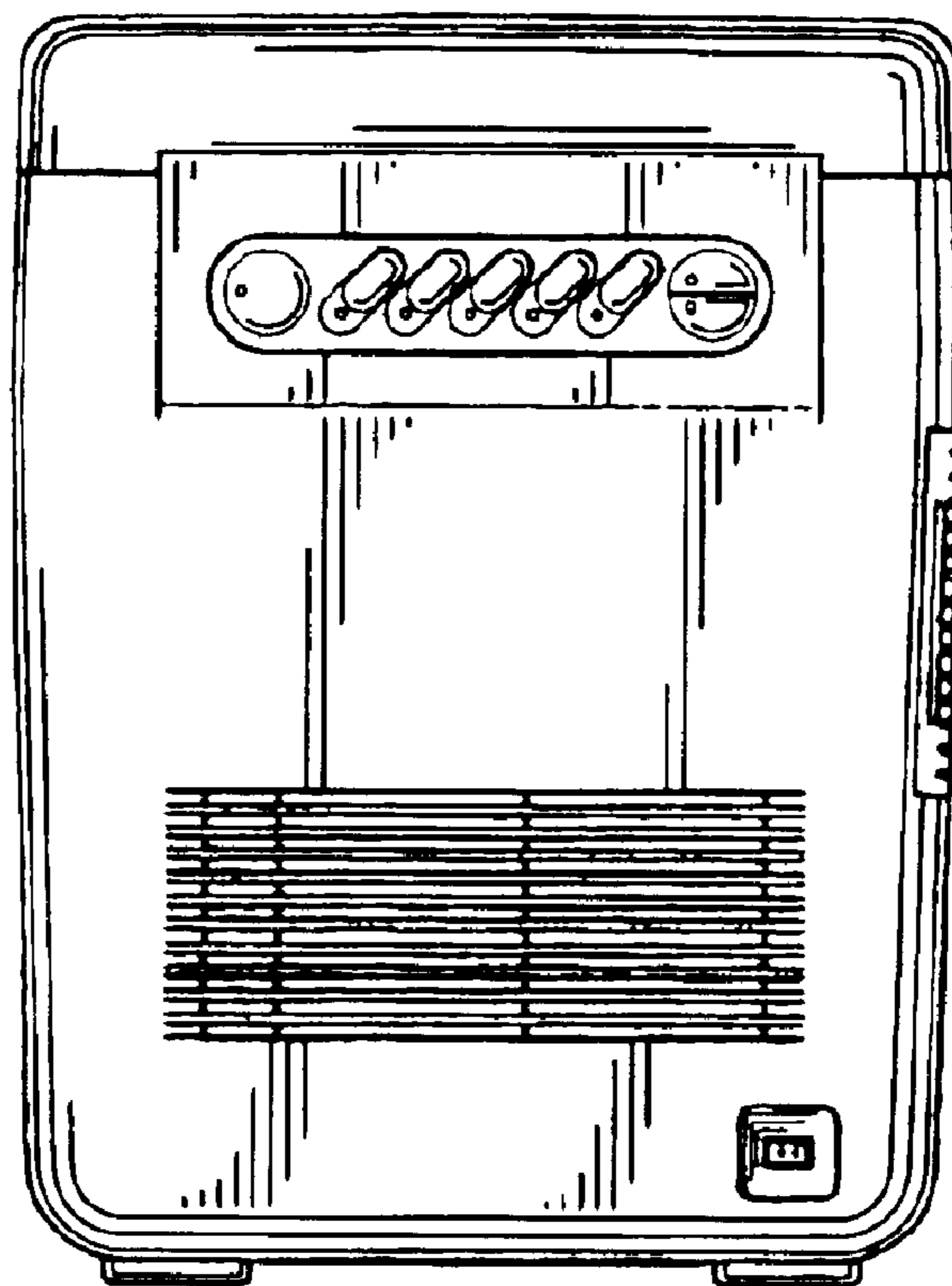




FIG. 7

