

US00D516094S

(12) **United States Design Patent**
Dötsch et al.

(10) **Patent No.:** **US D516,094 S**
(45) **Date of Patent:** **** Feb. 28, 2006**

(54) **COMPACTOR**

(75) Inventors: **Theo Dötsch**, Koblenz (DE); **Roland Loew**, Klein-Winternheim (DE)

(73) Assignee: **Bomag GmbH**, Boppard (DE)

(**) Term: **14 Years**

(21) Appl. No.: **29/213,770**

(22) Filed: **Sep. 23, 2004**

(30) **Foreign Application Priority Data**

Mar. 23, 2004 (EM) 000155403

(51) **LOC (8) Cl.** **15-03**

(52) **U.S. Cl.** **D15/20**

(58) **Field of Classification Search** D15/10,
D15/20, 22-28, 33; 180/20, 89.12; 404/122,
404/125

See application file for complete search history.

(56) **References Cited**

U.S. PATENT DOCUMENTS

D207,532 S * 5/1967 Garis D15/20
D208,694 S * 9/1967 Harbke D15/20

D275,678 S * 9/1984 Mawhorr et al. D15/20
D396,431 S * 7/1998 Lindgren et al. D12/14
D396,727 S * 8/1998 Geier et al. D15/20
D410,930 S * 6/1999 Kim et al. D15/25
D500,329 S 12/2004 Baue et al.

* cited by examiner

Primary Examiner—Mitchell Siegel
Assistant Examiner—Mark A. Goodwin
(74) *Attorney, Agent, or Firm*—Baker & Hostetler LLP

(57) **CLAIM**

The ornamental design for a compactor, as shown and described.

DESCRIPTION

FIG. 1 is a rear view of a compactor showing our new design;
FIG. 2 is a front left side perspective view thereof;
FIG. 3 is front view thereof;
FIG. 4 is a left side view thereof;
FIG. 5 is a rear right side perspective view thereof;
FIG. 6 is a reduced left rear side perspective view thereof;
and,
FIG. 7 is a reduced front right side perspective view thereof.

1 Claim, 7 Drawing Sheets

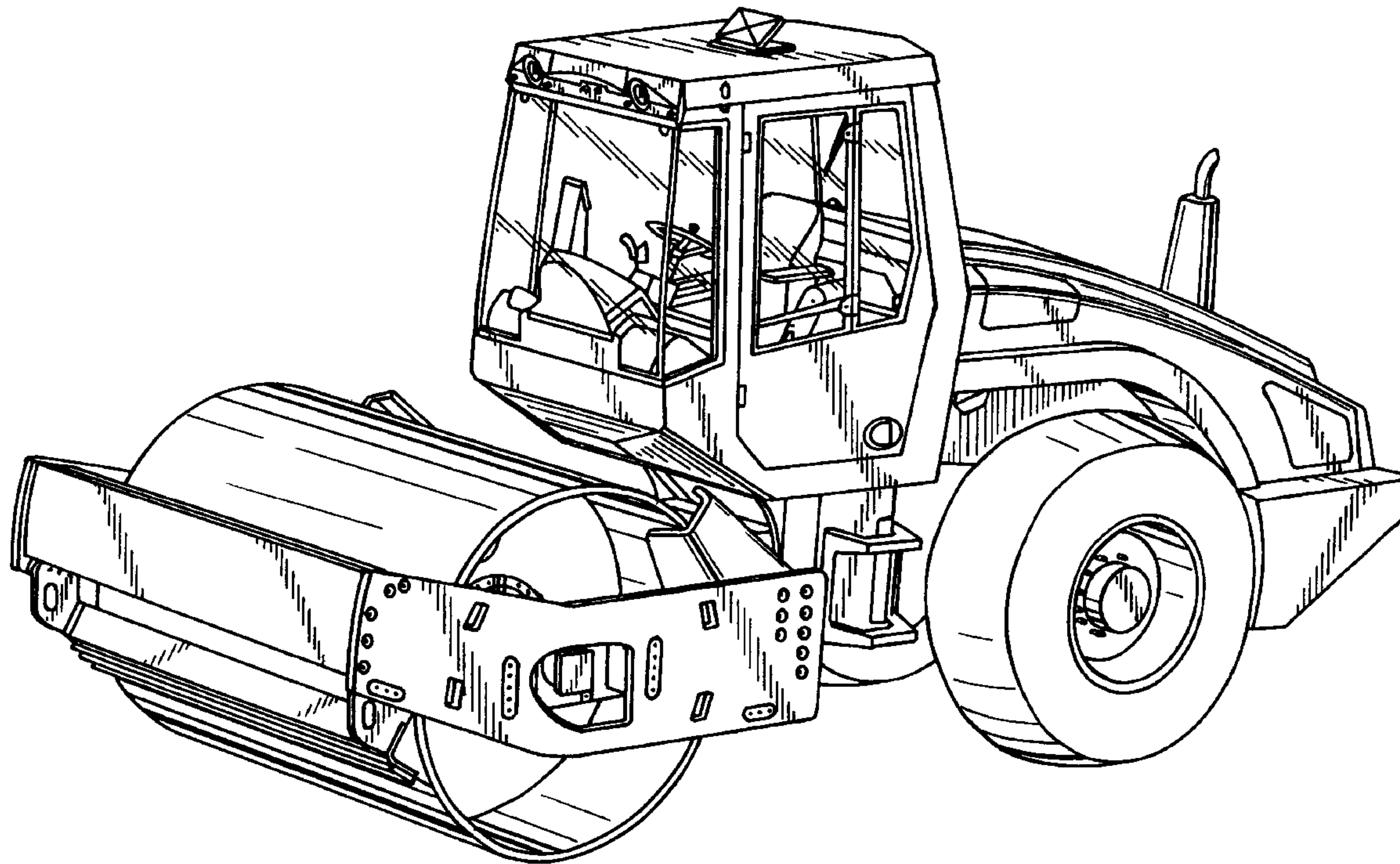
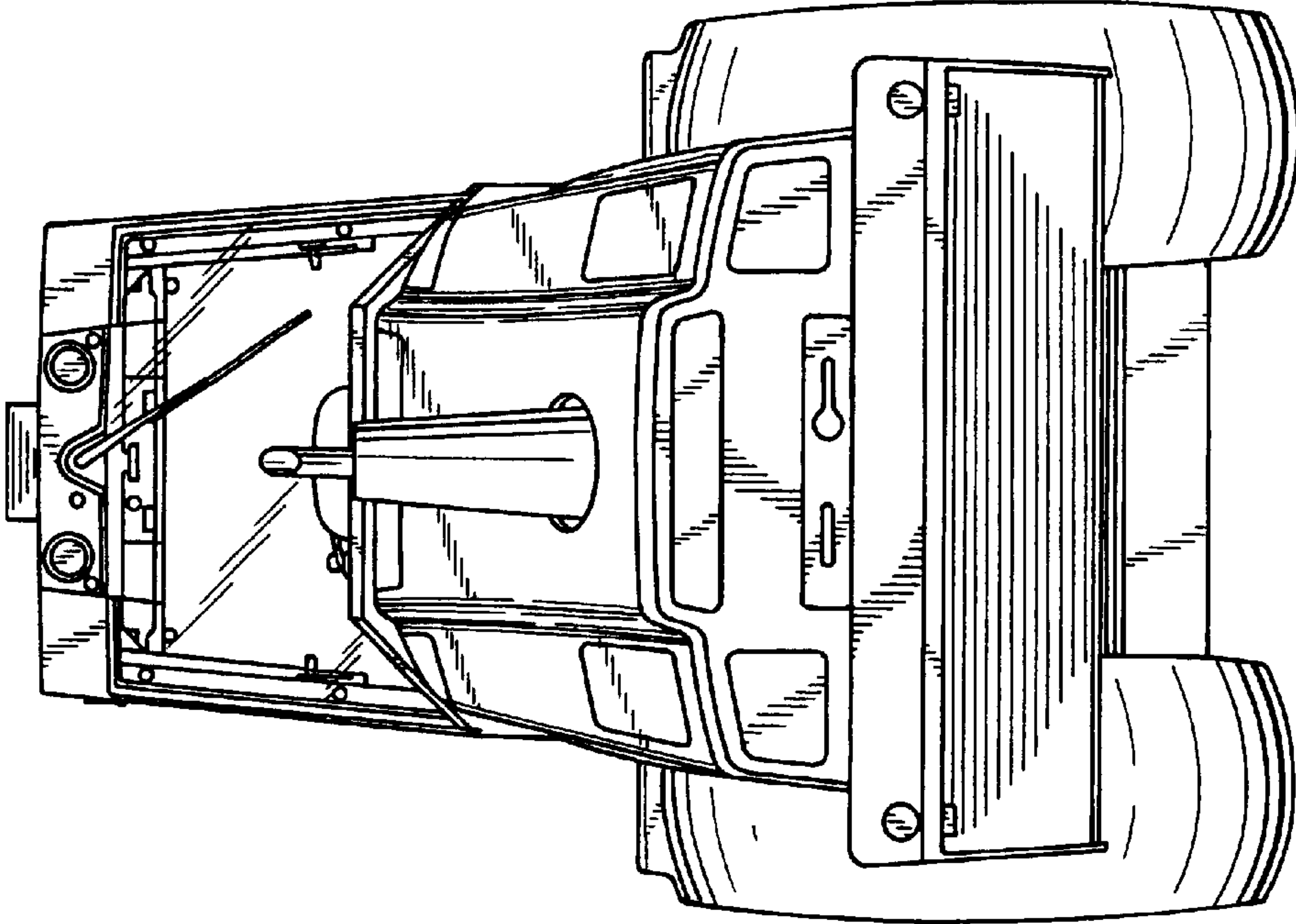


FIG. 1



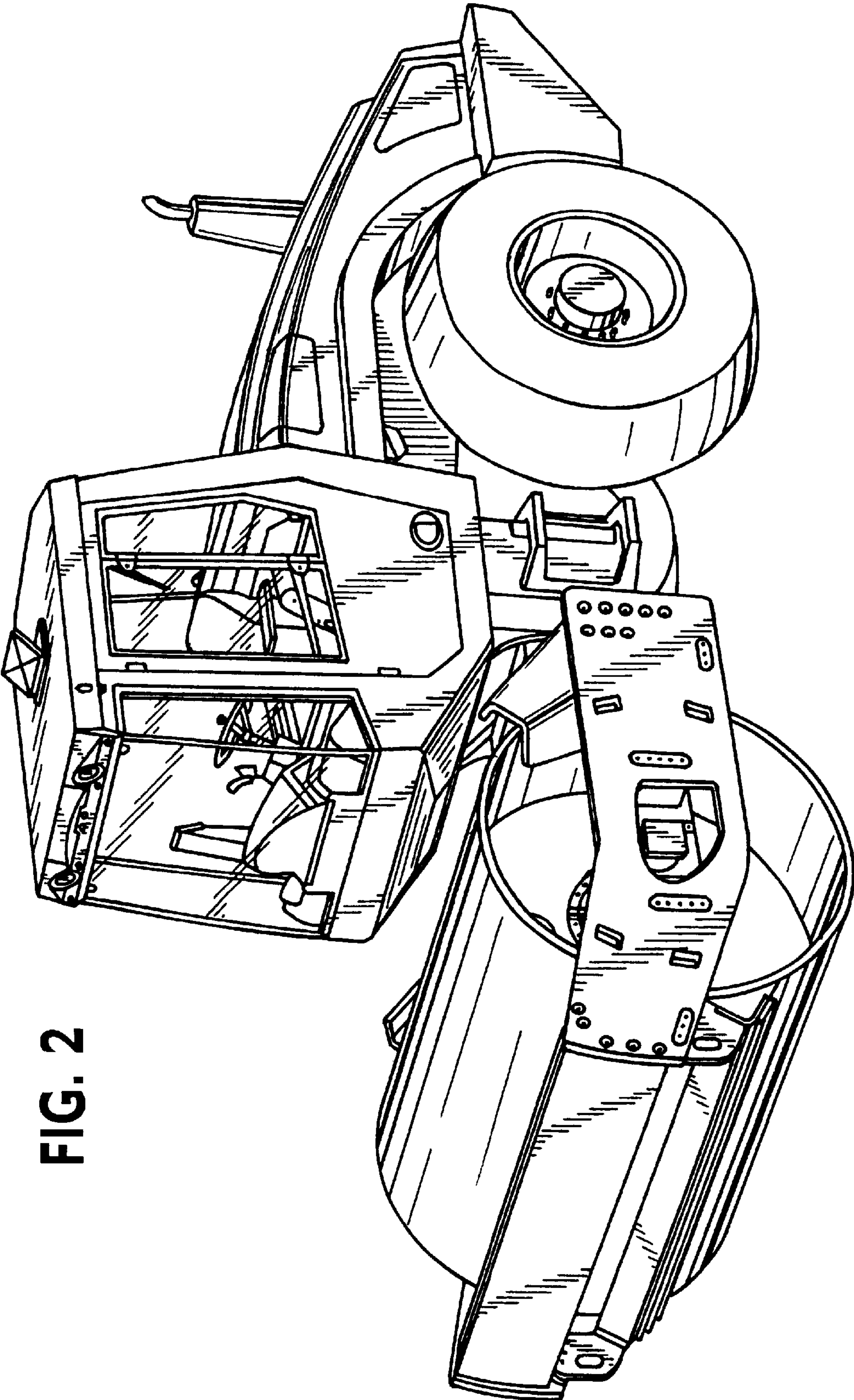


FIG. 2

FIG. 3

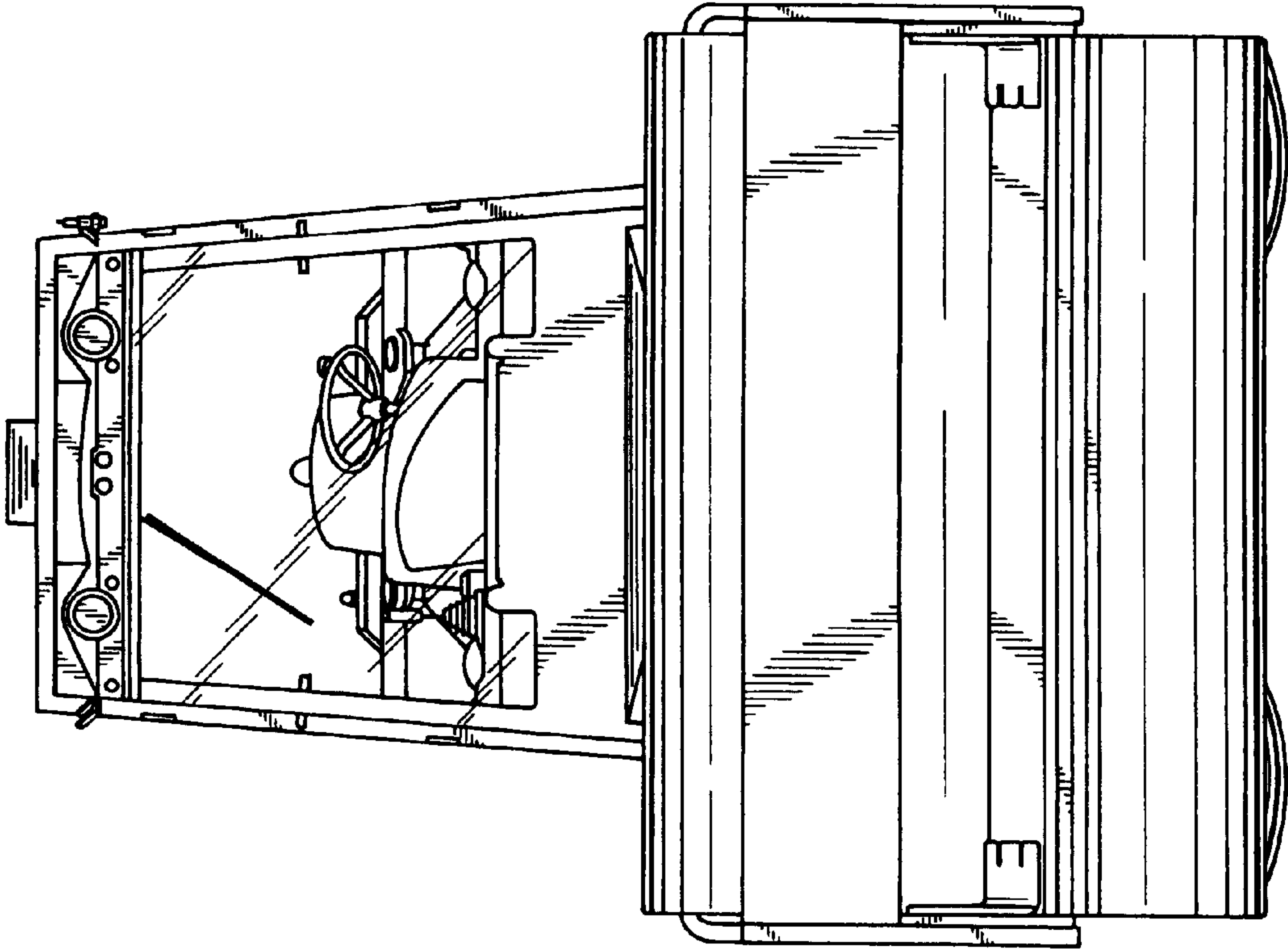
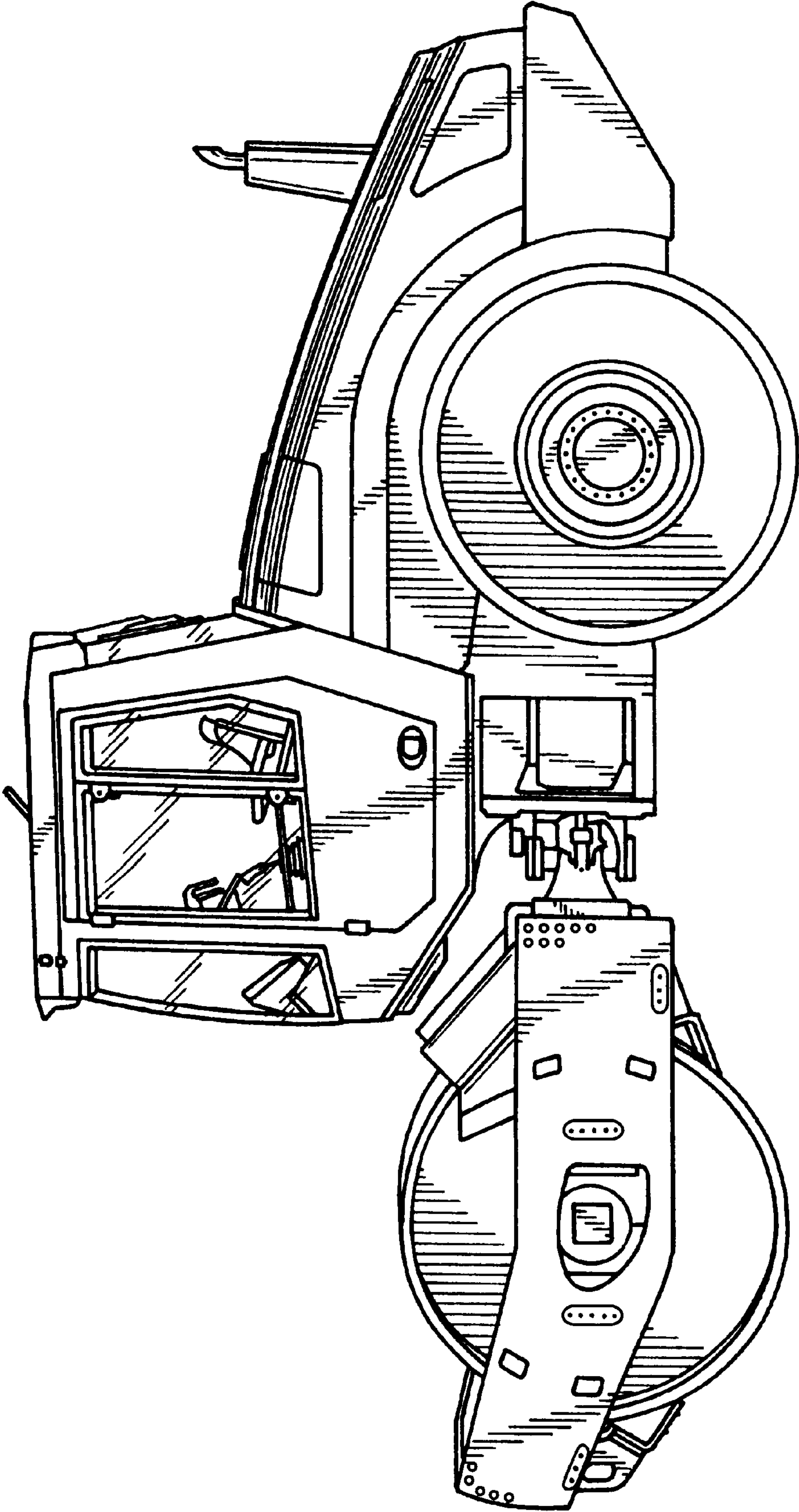


FIG. 4



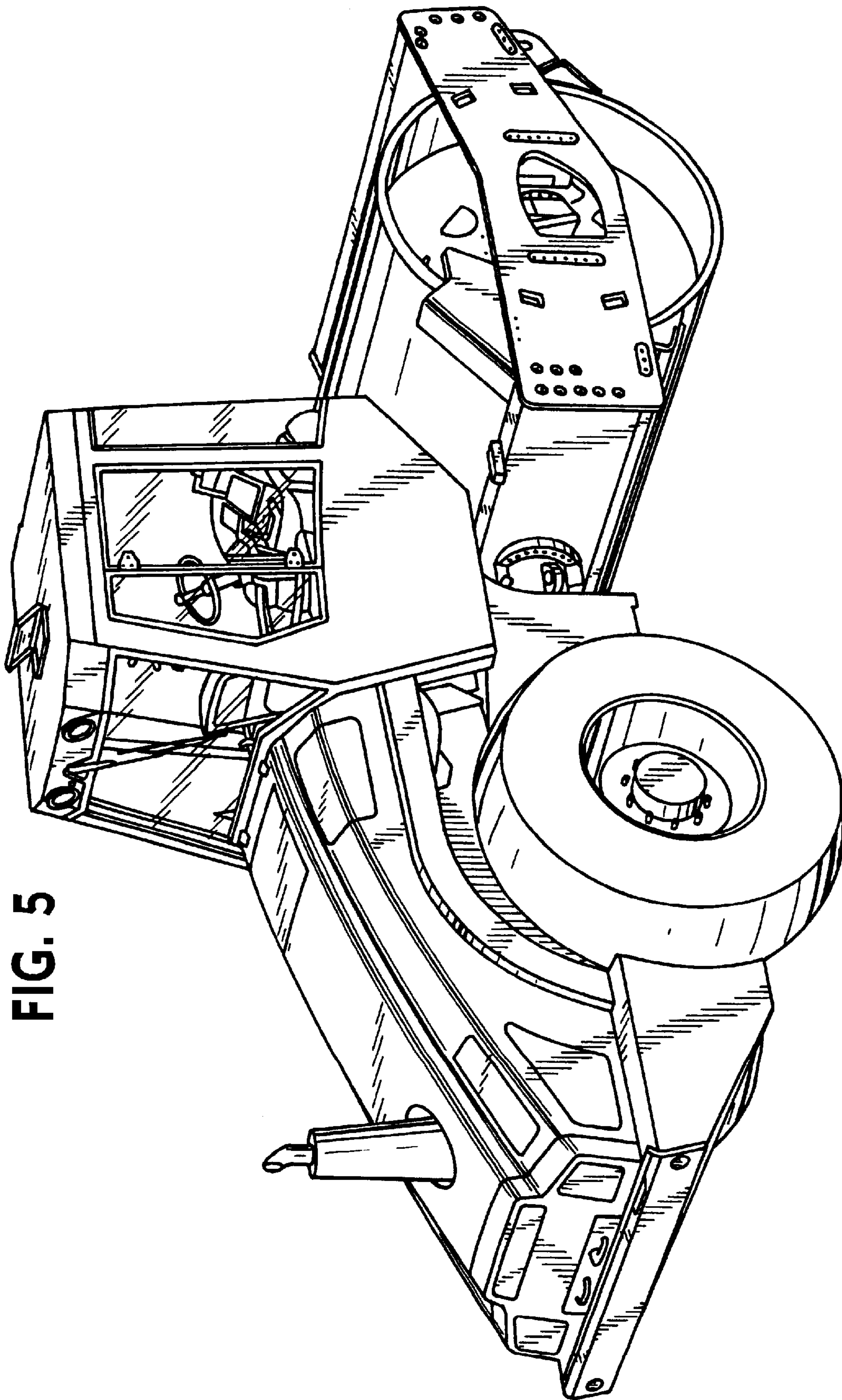


FIG. 5

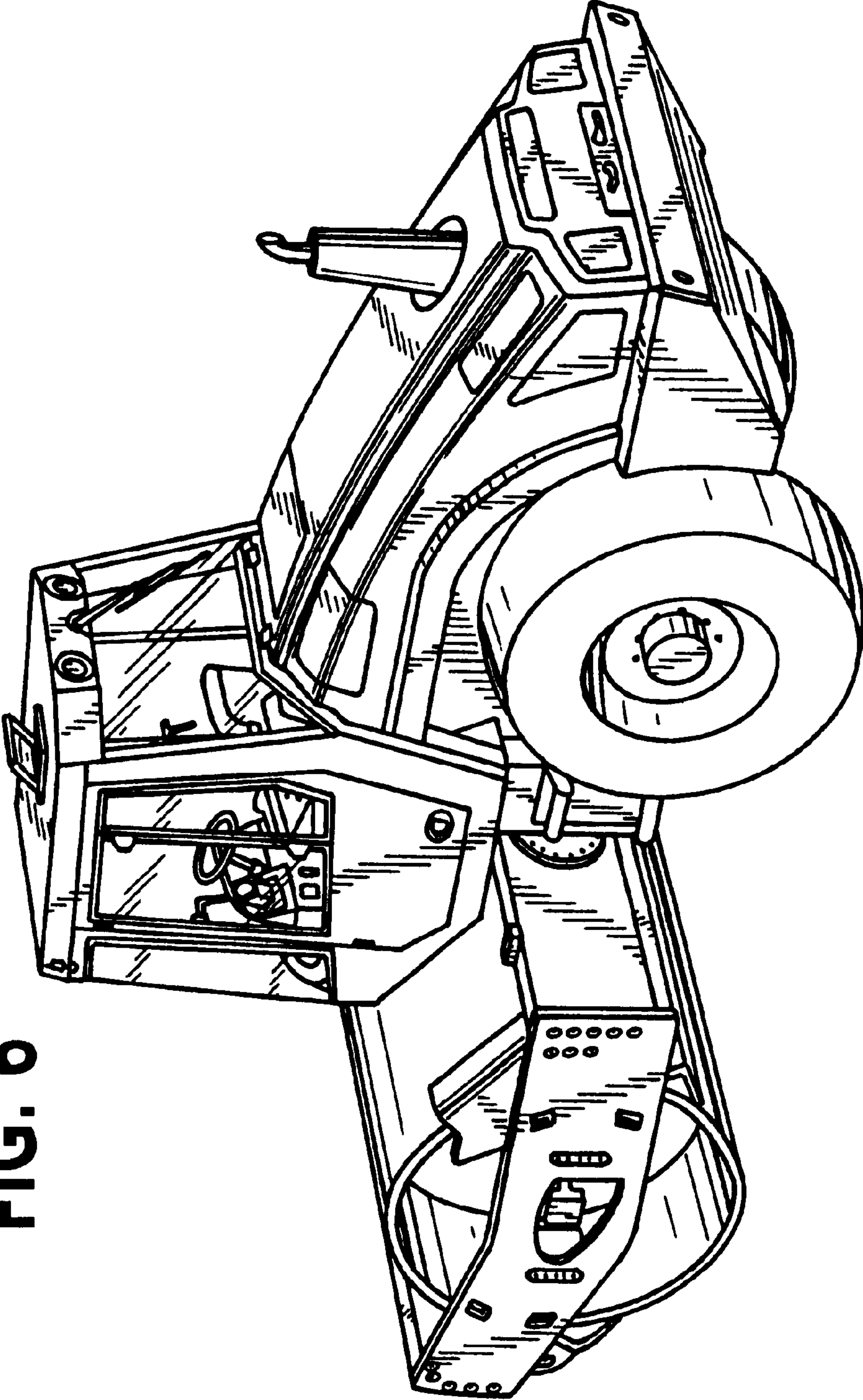


FIG. 6

FIG. 7

