



US00D516093S

(12) **United States Design Patent**
Hsiao

(10) **Patent No.:** **US D516,093 S**

(45) **Date of Patent:** **** Feb. 28, 2006**

(54) **AIR COMPRESSOR**

(76) **Inventor:** **E-Ming Hsiao**, No. 427, Sec. 2,
Doou-Chung Rd., Tien-Chung,
Chang-Hwa (TW)

(**) **Term:** **14 Years**

(21) **Appl. No.:** **29/223,861**

(22) **Filed:** **Feb. 18, 2005**

(51) **LOC (8) Cl.** **15-02**

(52) **U.S. Cl.** **D15/9**

(58) **Field of Classification Search** D15/7-9;
417/234-235, 360, 415; D26/38; 248/645;
415/148, 107

See application file for complete search history.

(56) **References Cited**

U.S. PATENT DOCUMENTS

D379,669 S * 6/1997 Karanikas D25/113
D405,455 S * 2/1999 Leu et al. D15/9

D444,799 S * 7/2001 Thomas et al. D15/9
D464,063 S * 10/2002 Thomas et al. D15/9
D488,820 S * 4/2004 Rozek D15/7

* cited by examiner

Primary Examiner—Ralf Seifert

(74) *Attorney, Agent, or Firm*—Alan D. Kamrath; Nikolai
& Mersereau, P.A.

(57) **CLAIM**

The ornamental design for an air compressor, as shown.

DESCRIPTION

FIG. 1 is a perspective view of the air compressor showing
my new design;

FIG. 2 is a front view thereof;

FIG. 3 is a rear view thereof;

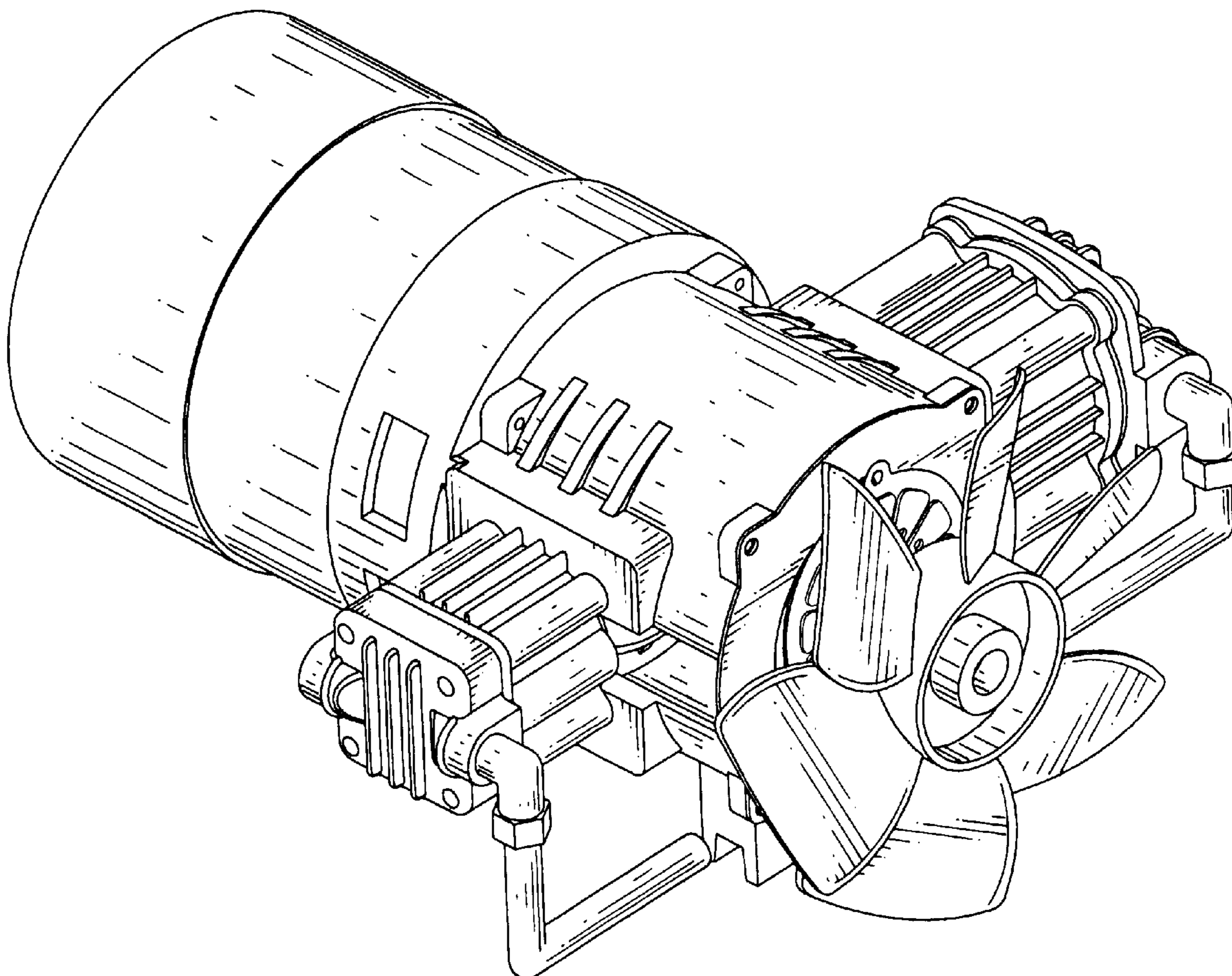
FIG. 4 is a left side view thereof;

FIG. 5 is a right side view thereof;

FIG. 6 is a top view thereof; and,

FIG. 7 is a bottom view thereof.

1 Claim, 7 Drawing Sheets



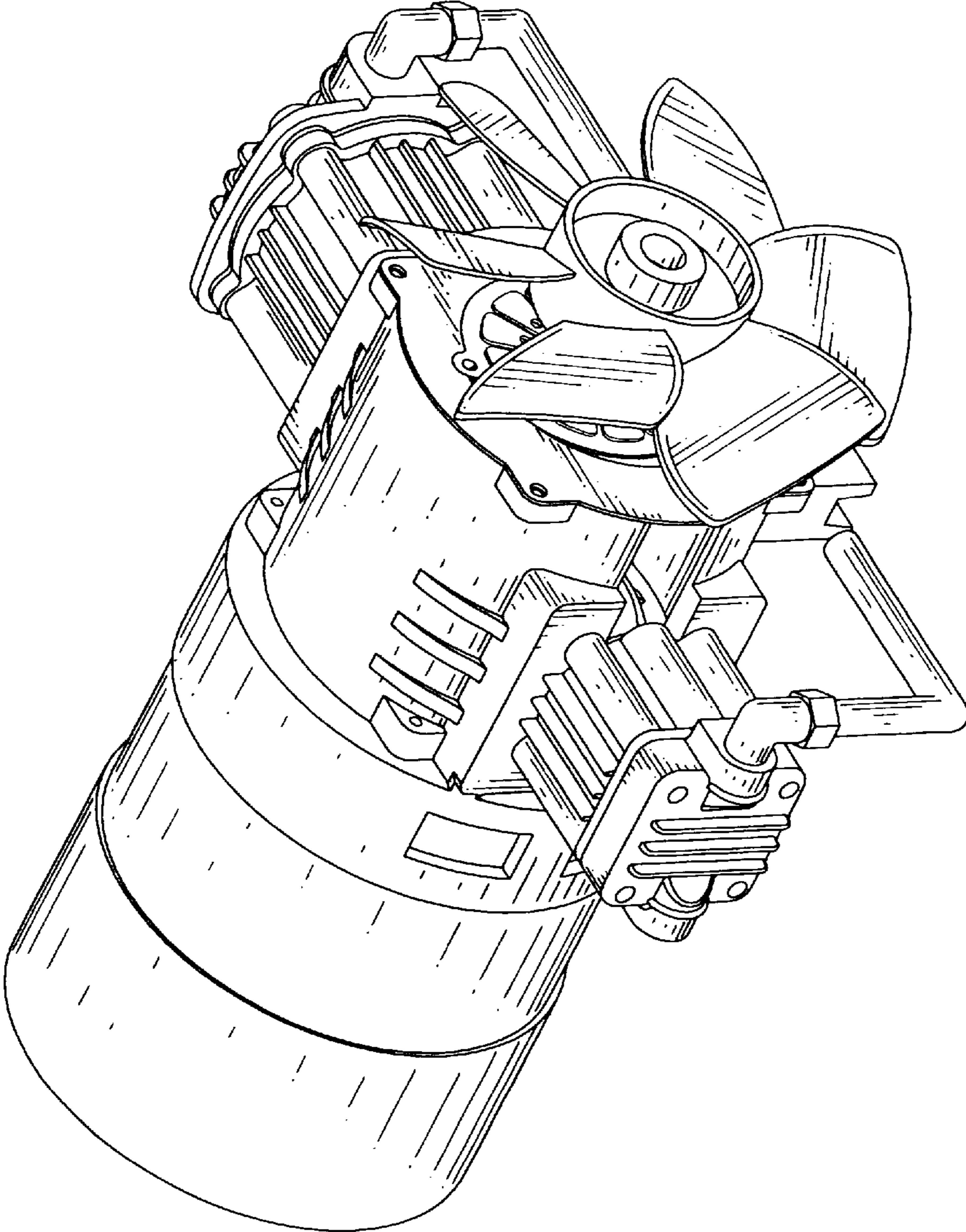


FIG. 1

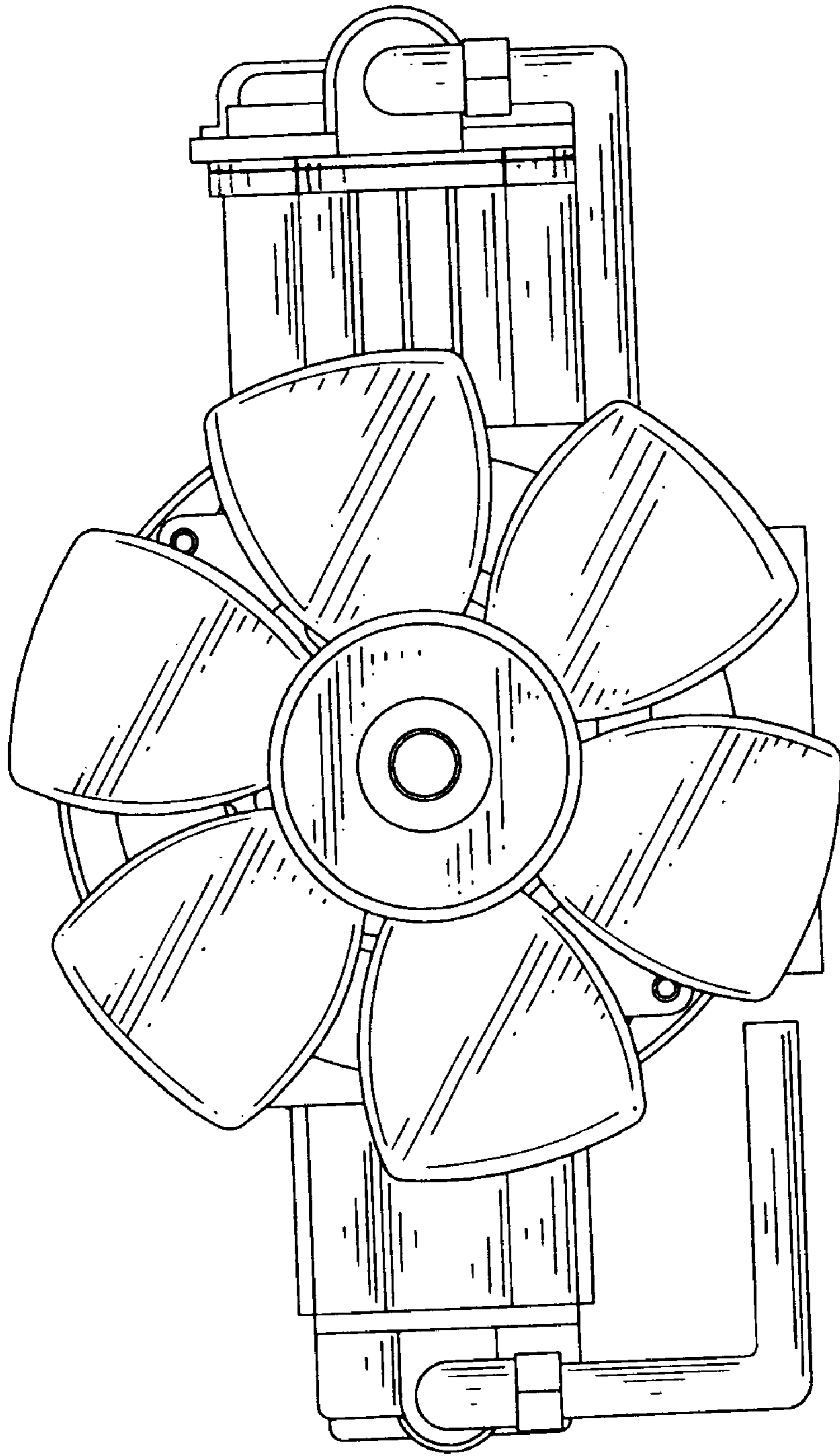


FIG. 2

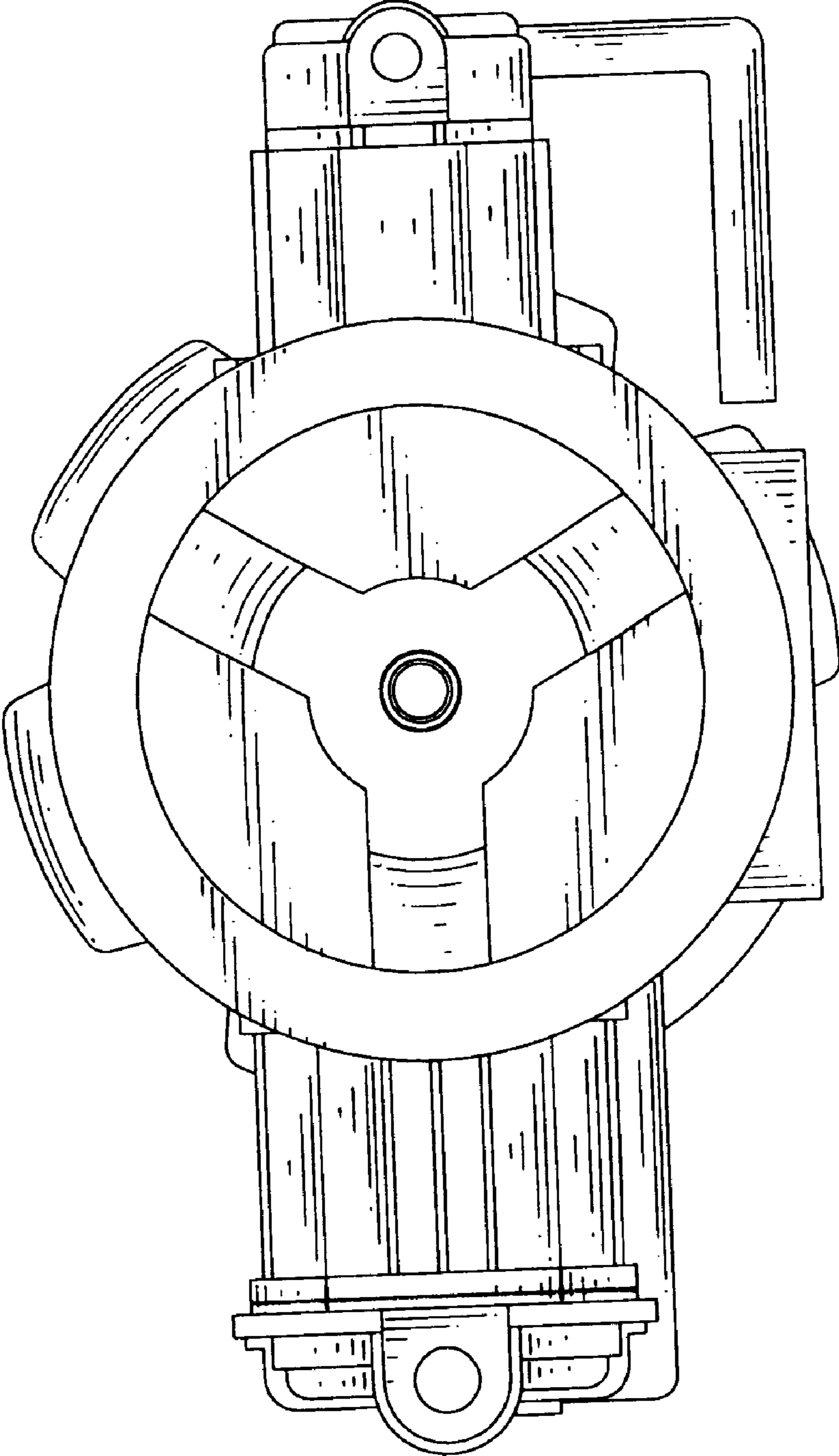


FIG. 3

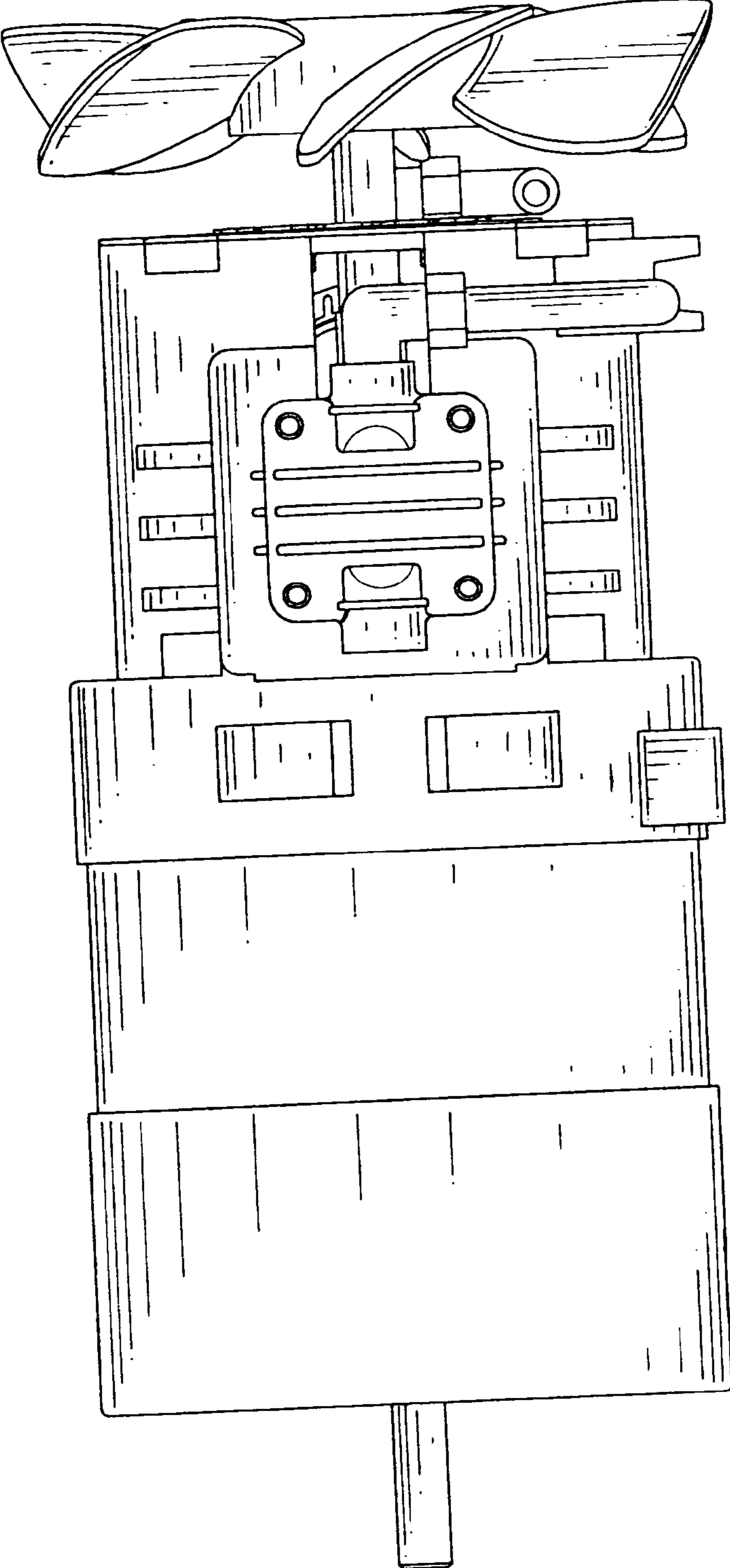


FIG. 4

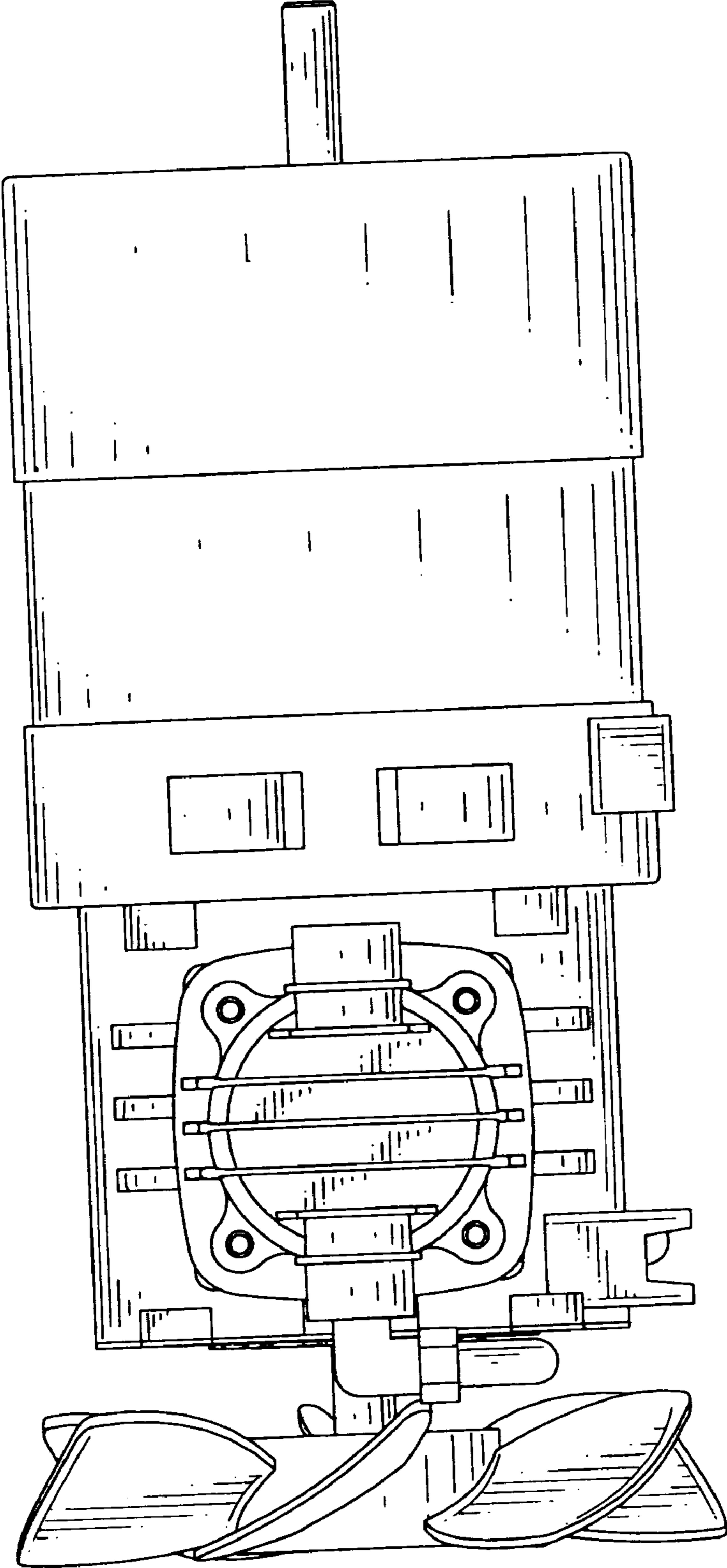


FIG. 5

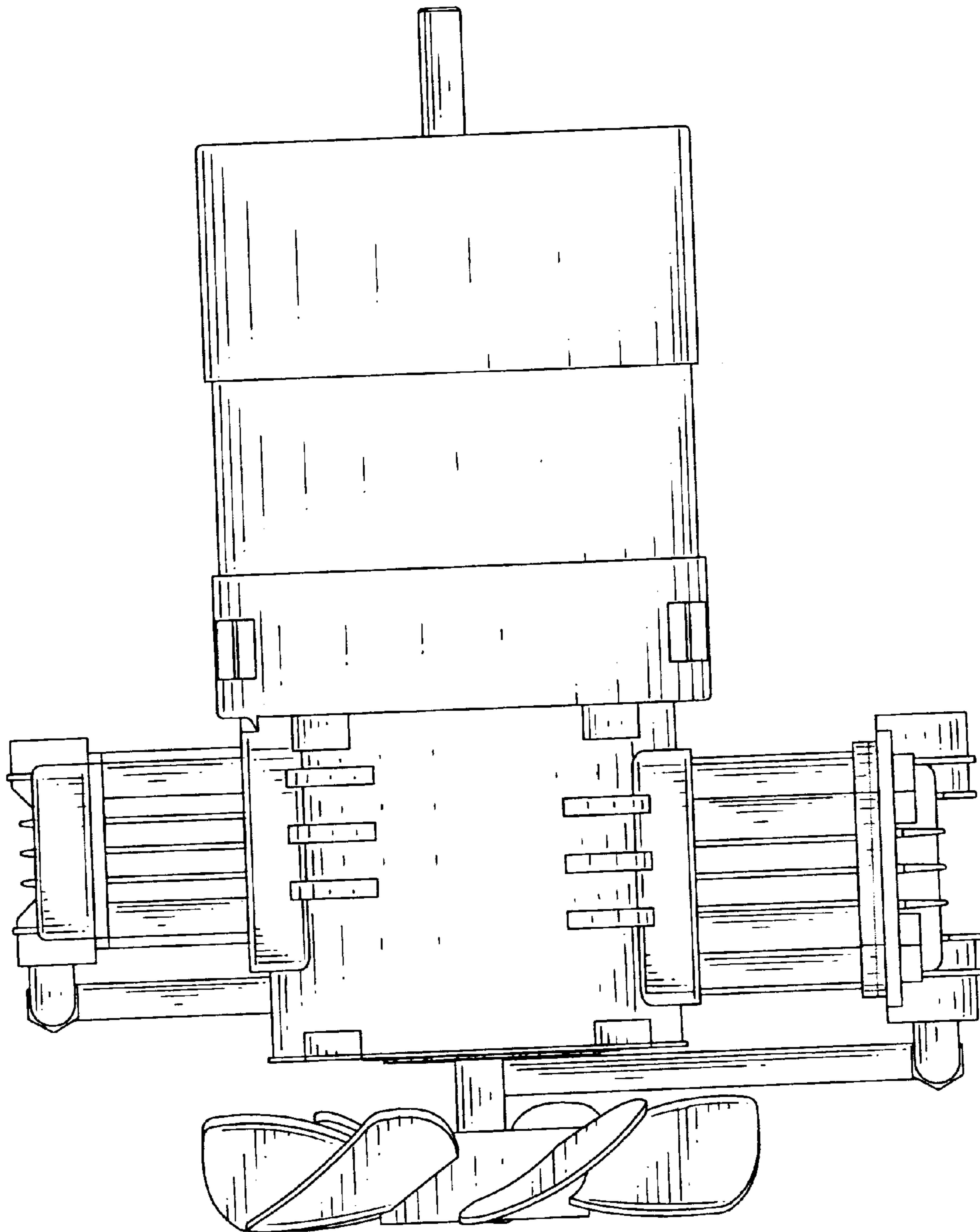


FIG. 6

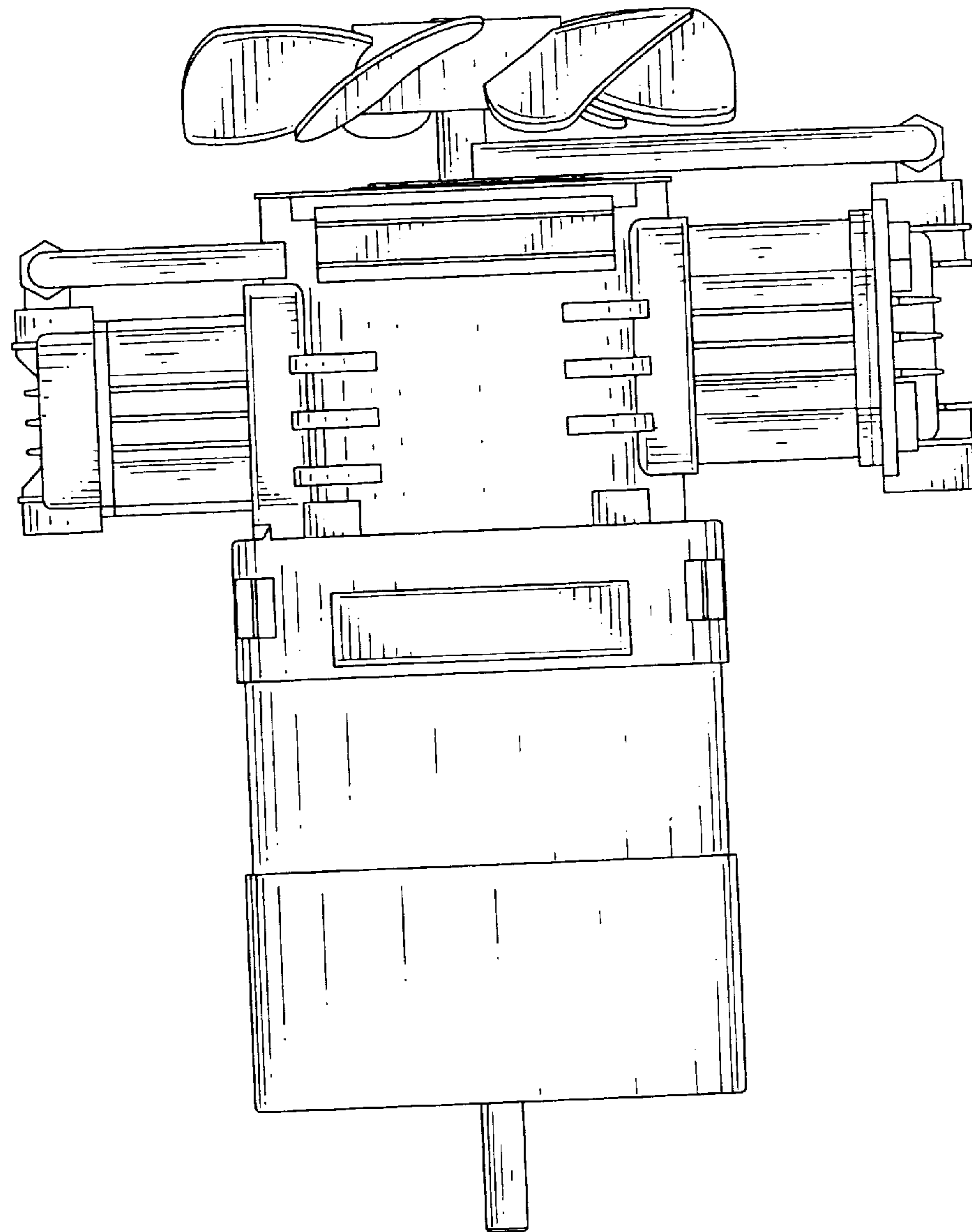


FIG. 7