



US00D516092S

(12) **United States Design Patent**  
**Buck**

(10) **Patent No.:** **US D516,092 S**  
(45) **Date of Patent:** **\*\* Feb. 28, 2006**

- (54) **AIR COMPRESSOR**
- (75) Inventor: **John E. Buck**, Cockeysville, MD (US)
- (73) Assignee: **Black & Decker Inc.**, Newark, DE (US)
- (\*\*) Term: **14 Years**
- (21) Appl. No.: **29/214,667**
- (22) Filed: **Oct. 6, 2004**

D450,061 S	*	11/2001	Graber et al.	.....	D15/9
6,375,437 B1	*	4/2002	Nolan	.....	417/234
D461,196 S	*	8/2002	Buck	.....	D15/9
D471,918 S	*	3/2003	Buck	.....	D15/9
D471,919 S	*	3/2003	Buck	.....	D15/9
6,582,201 B2	*	6/2003	Lucchi	.....	417/234
D482,371 S	*	11/2003	Buck	.....	D15/9
D499,431 S	*	12/2004	Chen	.....	D15/9
D500,050 S	*	12/2004	Lucchi	.....	D15/7
D500,051 S	*	12/2004	Lucchi	.....	D15/9

\* cited by examiner

*Primary Examiner*—Ralf Seifert  
(74) *Attorney, Agent, or Firm*—Michael P. Leary; Charles E. Yocum; Adan Ayala

**Related U.S. Application Data**

- (63) Continuation of application No. 29/185,115, filed on Jun. 20, 2003, now Pat. No. Des. 505,430.
  - (51) **LOC (8) Cl.** ..... **15-02**
  - (52) **U.S. Cl.** ..... **D15/9**
  - (58) **Field of Classification Search** ..... D15/7-9;  
417/234-235, 360, 415; D26/38; 248/645;  
415/148
- See application file for complete search history.

(57) **CLAIM**

The ornamental design for an air compressor, as shown and described.

**DESCRIPTION**

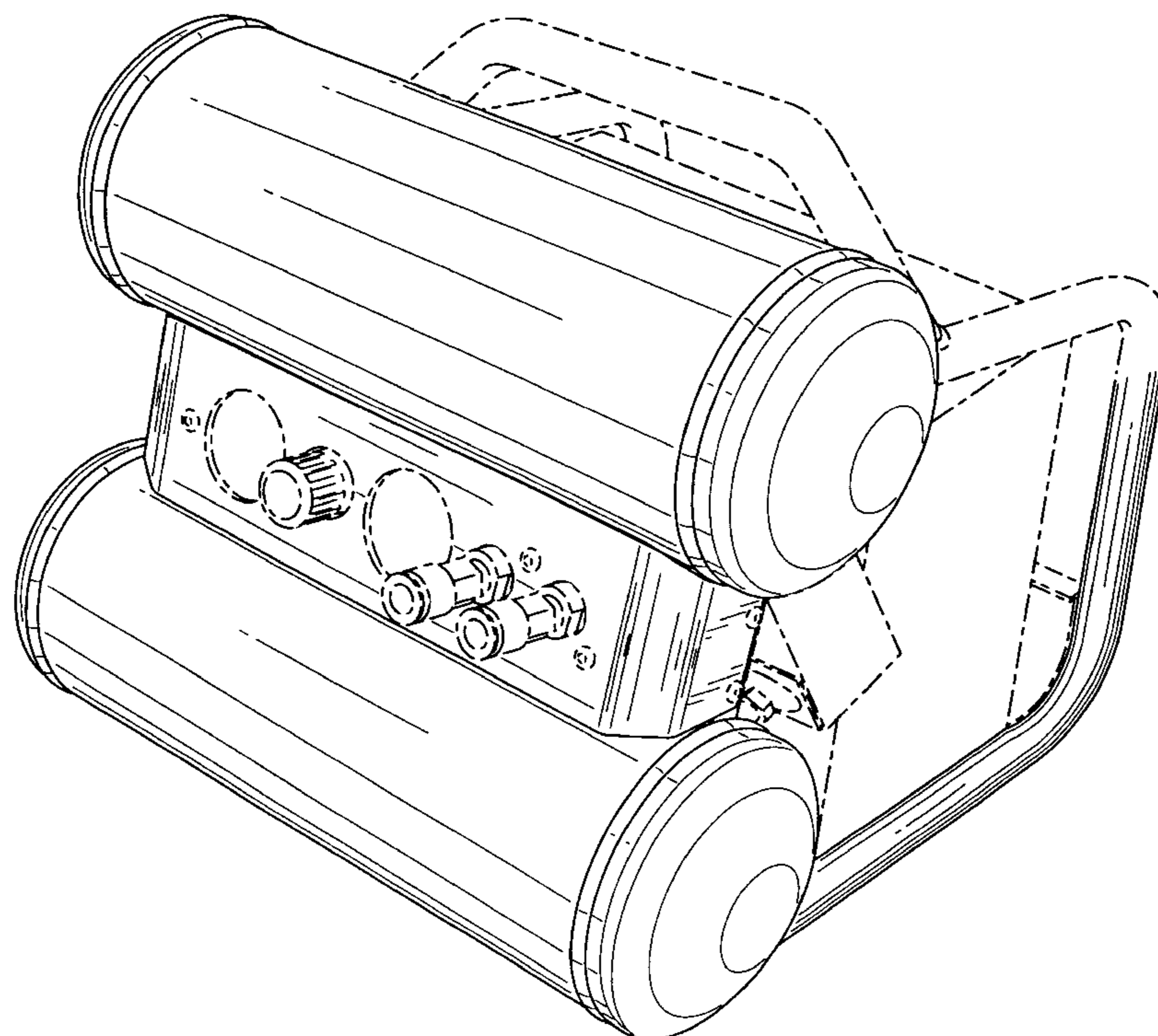
FIG. 1 is a right front perspective view of an air compressor showing my new design.  
FIG. 2 is a front view of FIG. 1.  
FIG. 3 is a rear view of FIG. 1.  
FIG. 4 is a left side view of FIG. 1.  
FIG. 5 is a right side view of FIG. 1.  
FIG. 6 is a top view of FIG. 1; and,  
FIG. 7 is a bottom view of FIG. 1.  
The dashed lines and the areas within the dashed lines form no part of the claimed ornamental design.

(56) **References Cited**

**U.S. PATENT DOCUMENTS**

2,434,675 A	*	1/1948	Simpson	.....	417/28
D170,330 S	*	9/1953	Miller	.....	D15/9
D440,578 S	*	4/2001	Nolan	.....	D15/9
D444,796 S	*	7/2001	Morgan	.....	D15/9
D444,797 S	*	7/2001	Davis et al.	.....	D15/9
D449,311 S	*	10/2001	Graber et al.	.....	D15/9

**1 Claim, 7 Drawing Sheets**



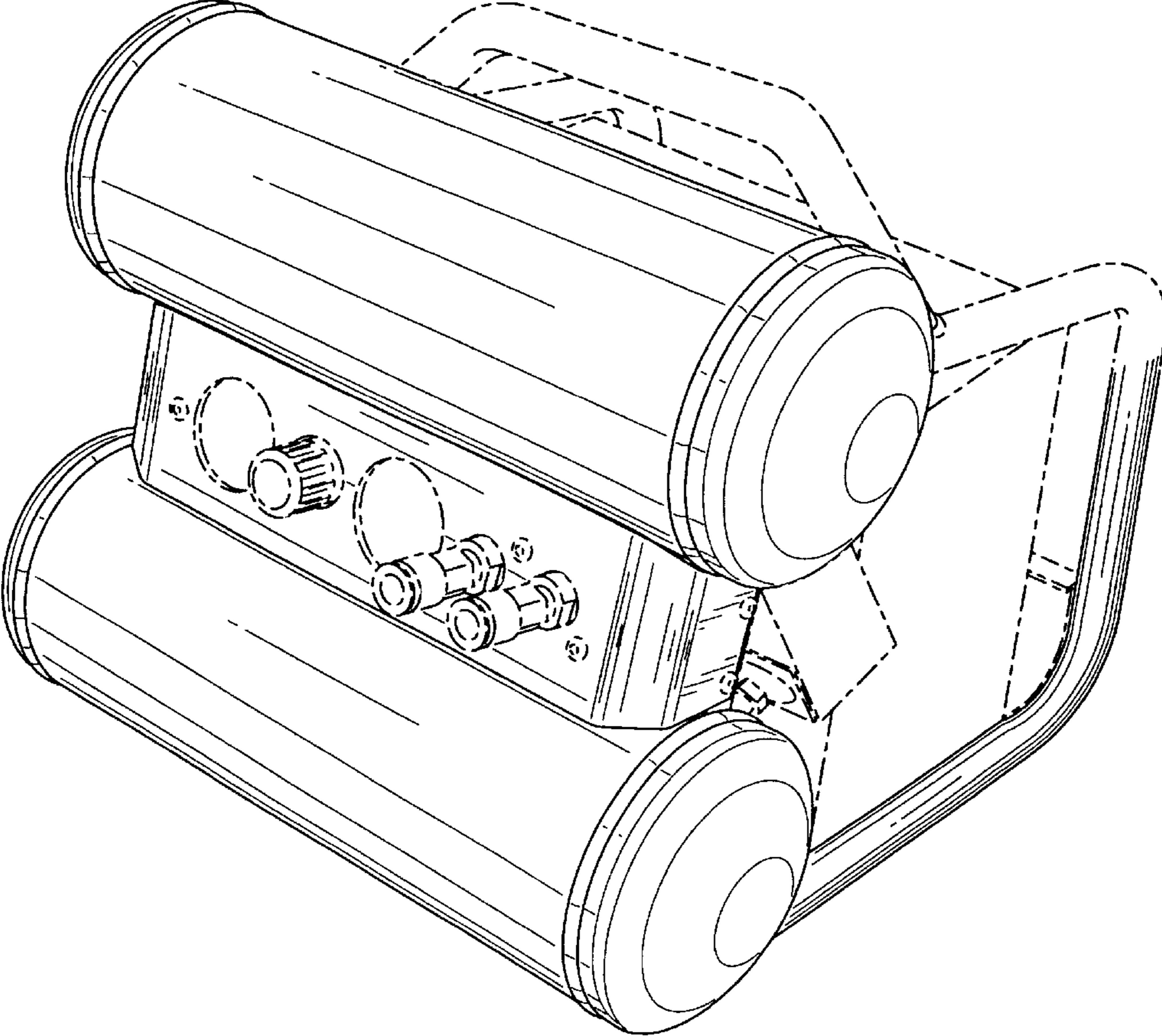


FIG. 1

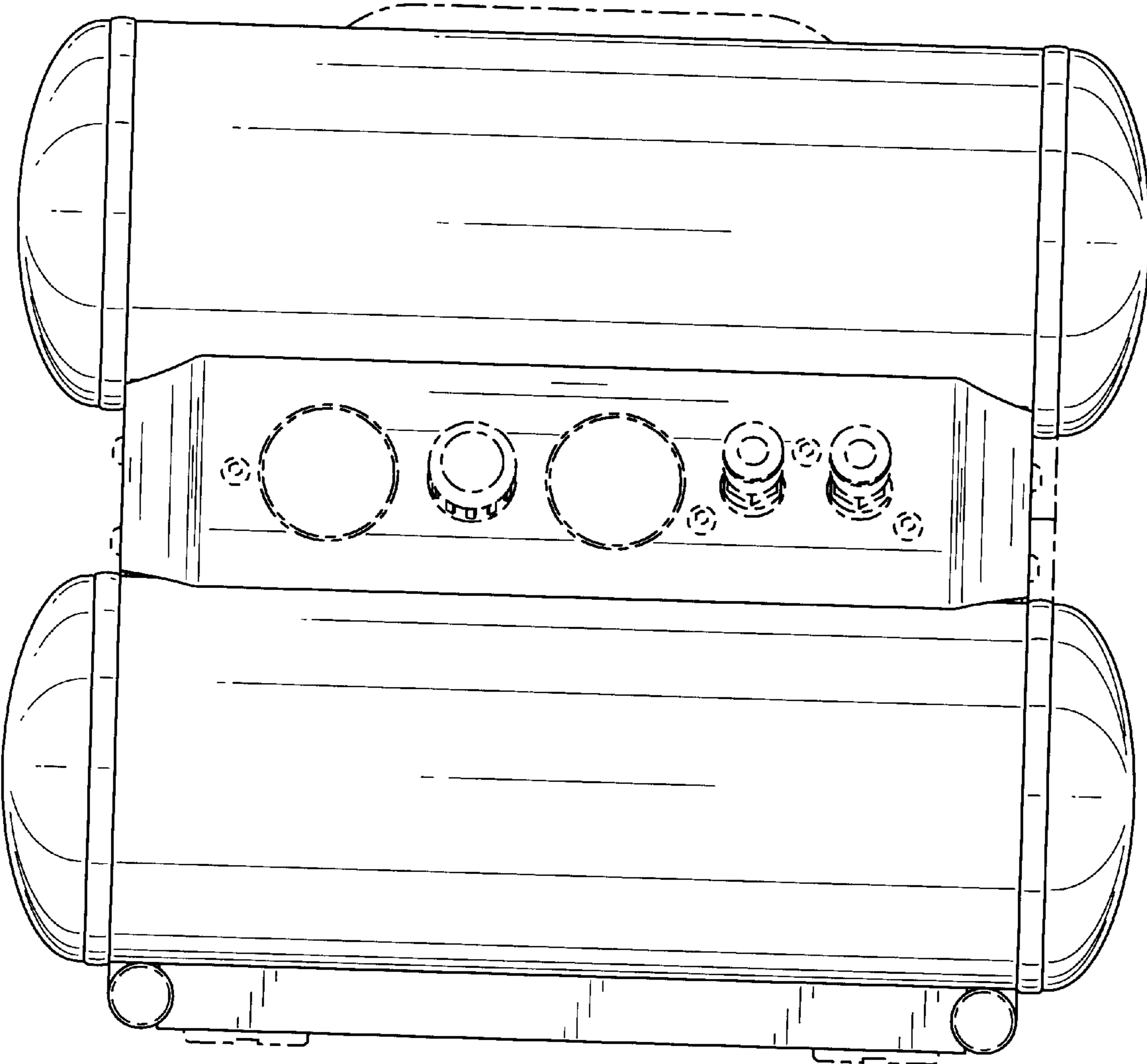


FIG. 2

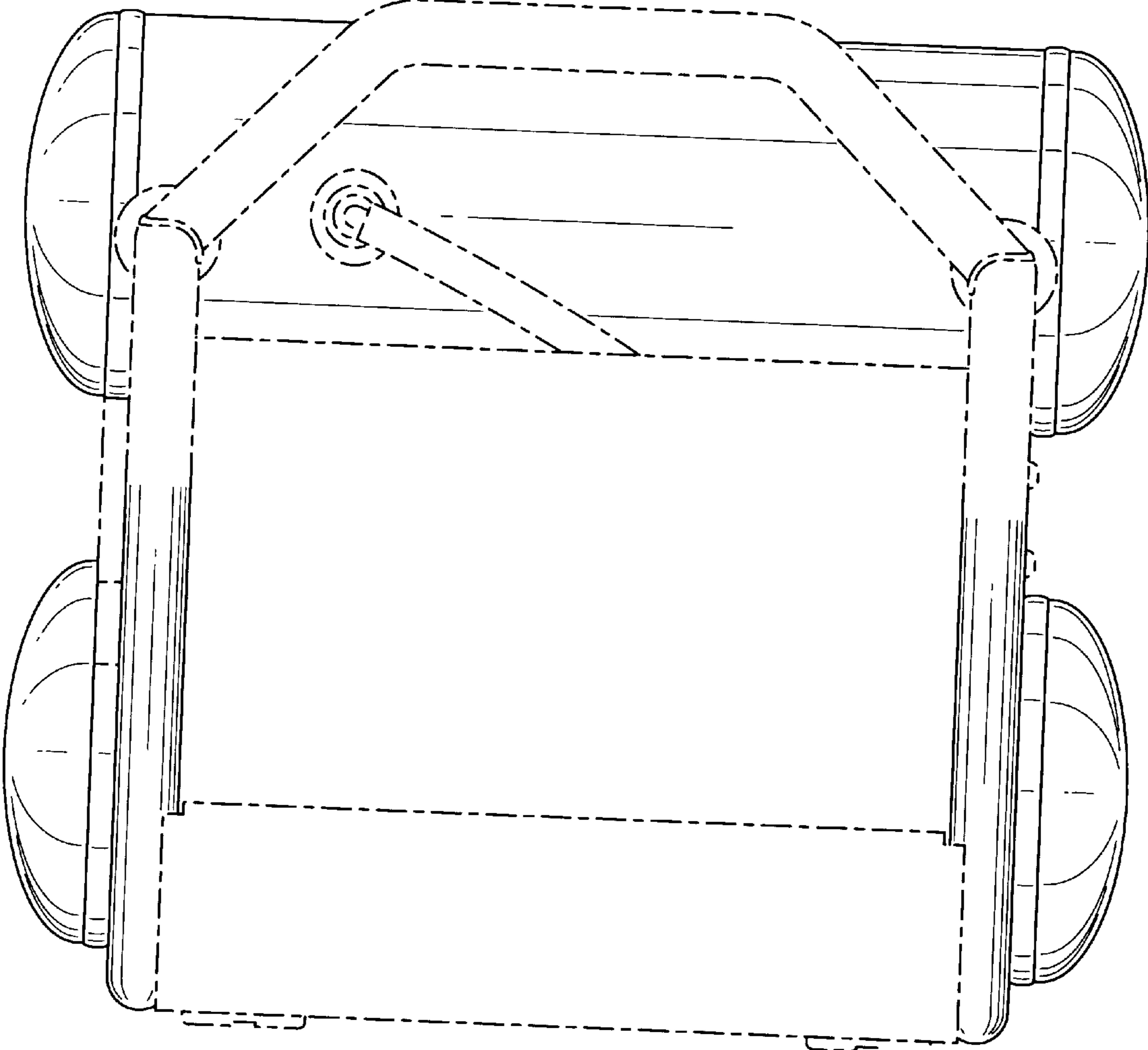


FIG. 3

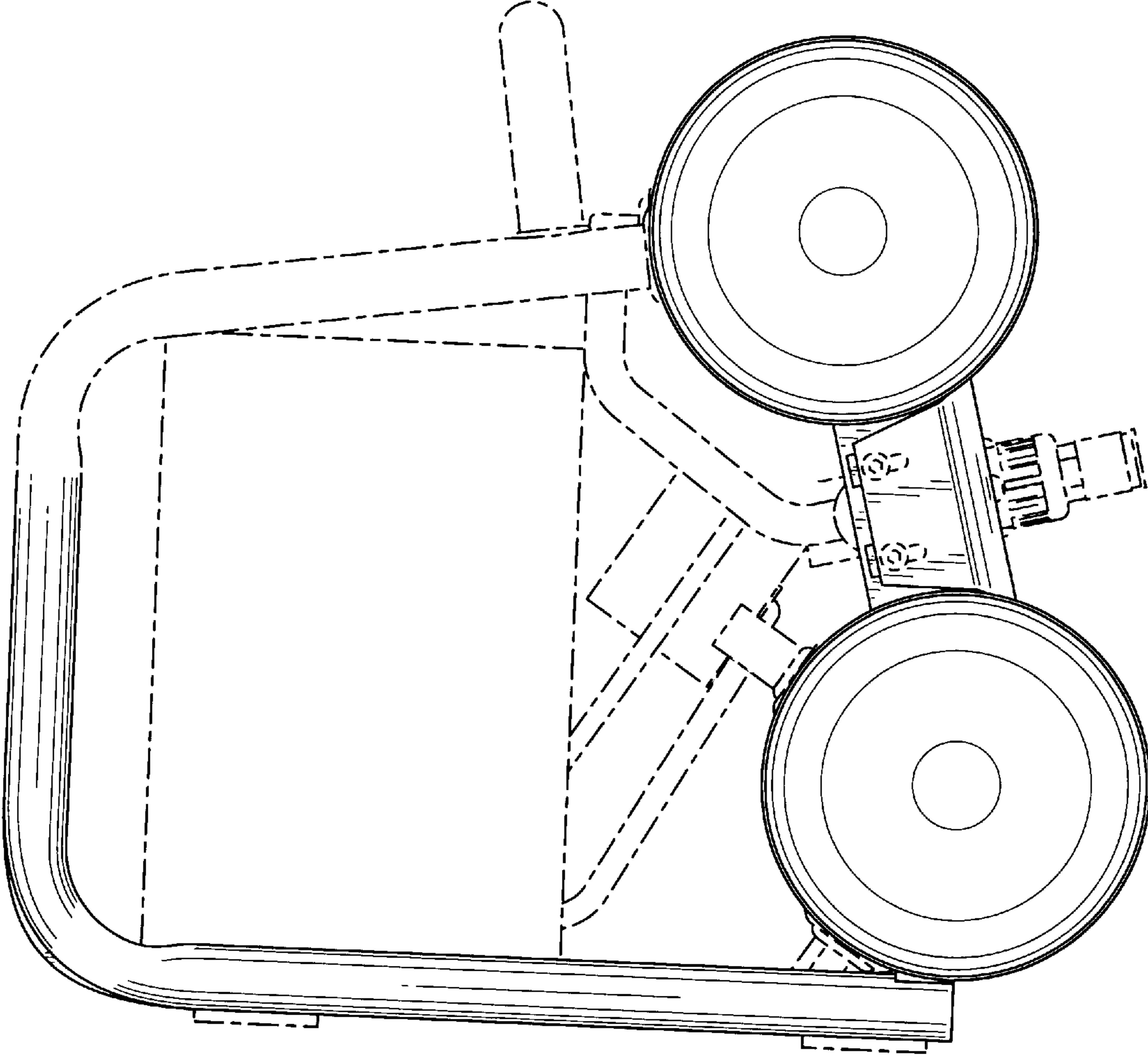


FIG. 4

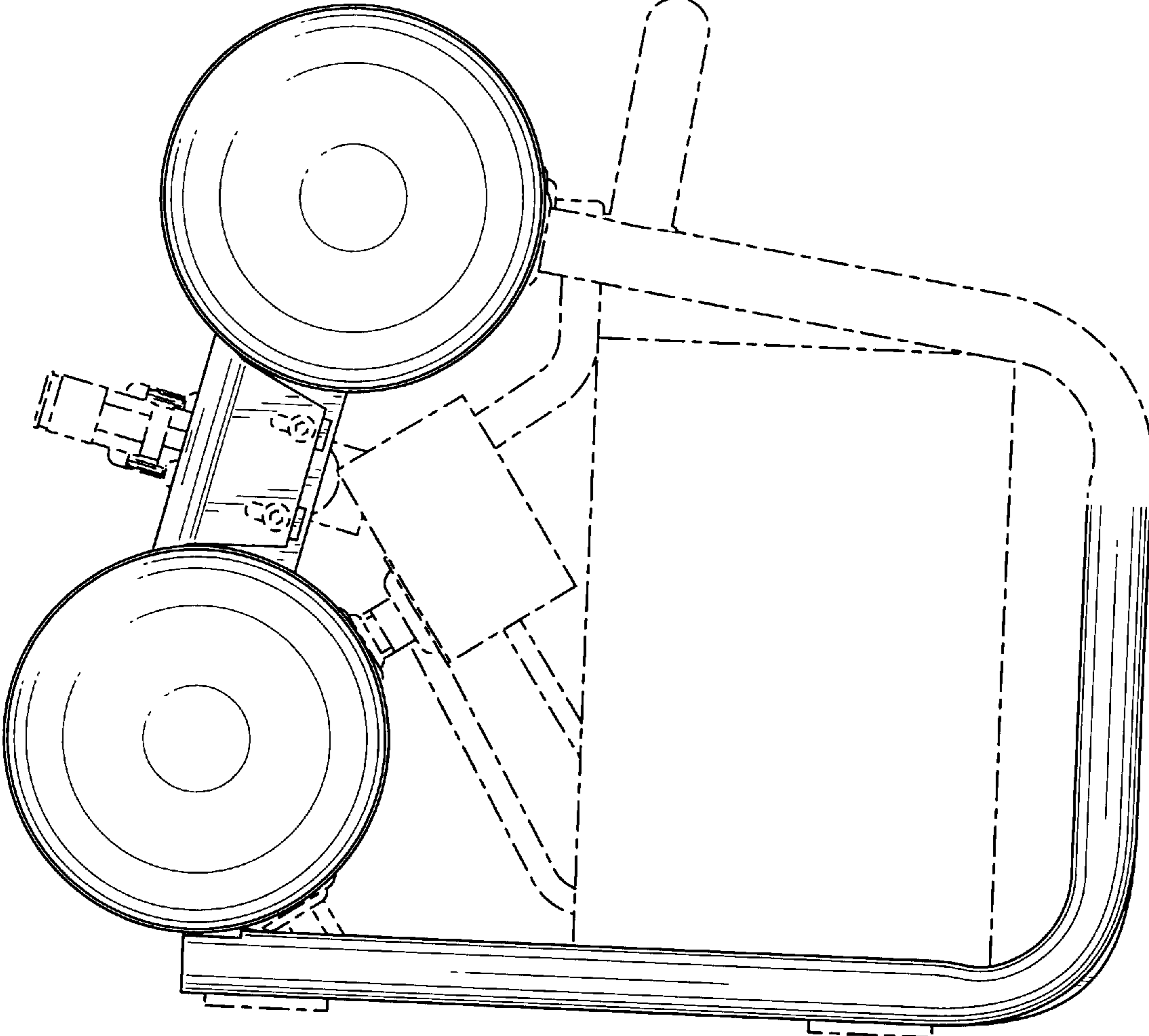


FIG. 5

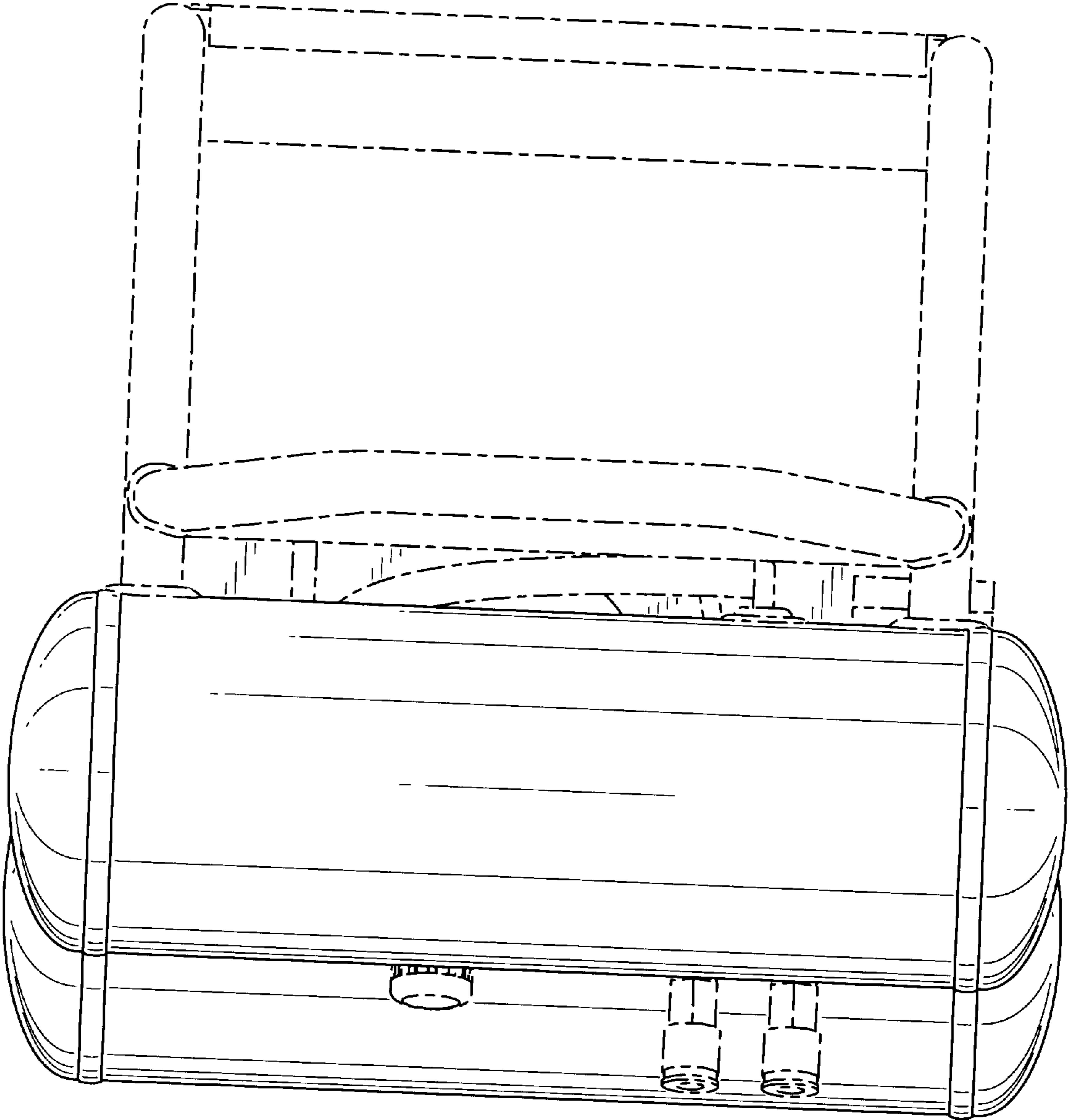


FIG. 6

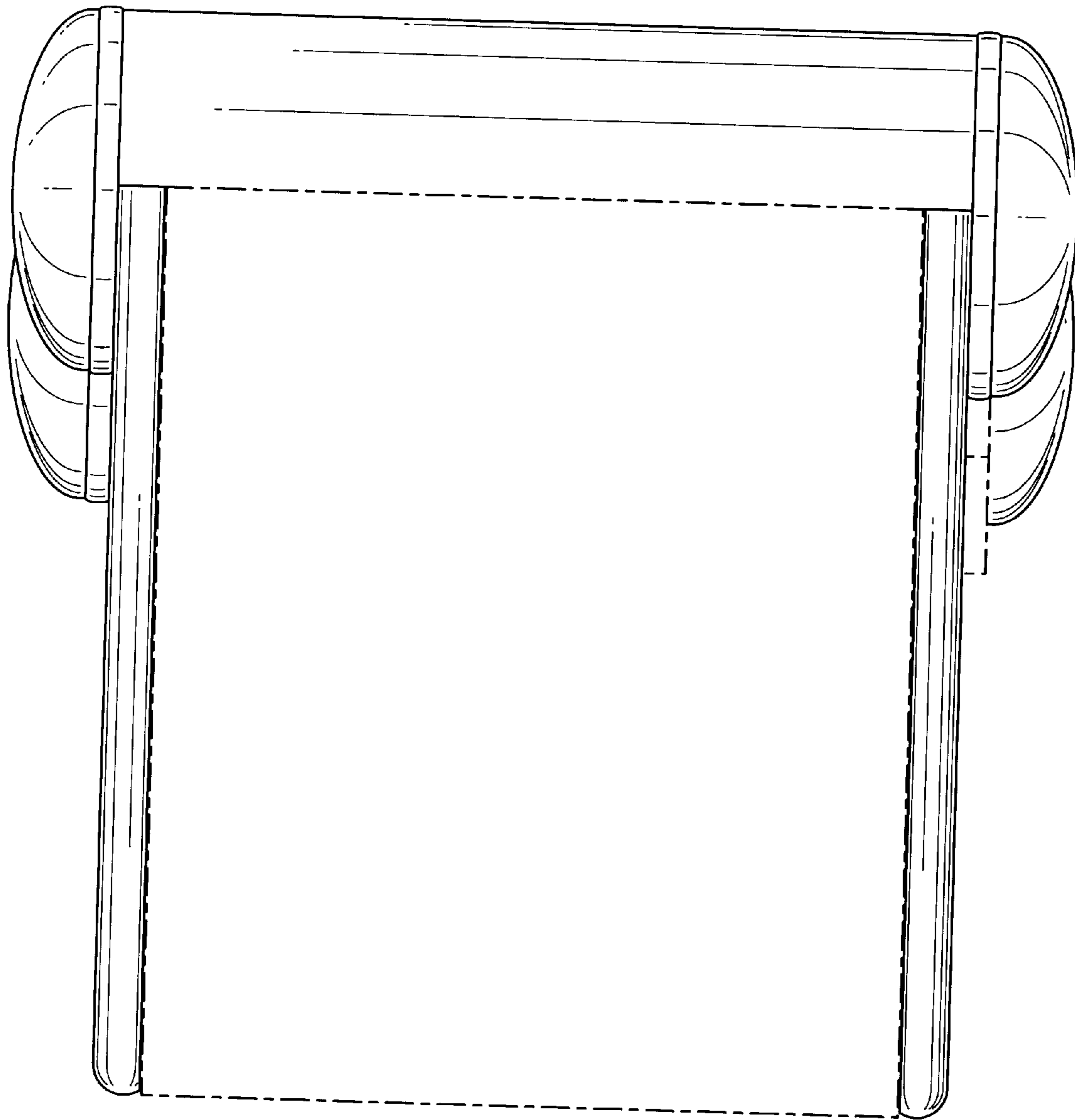


FIG. 7