



US00D516089S

(12) **United States Design Patent**
Hsiao

(10) **Patent No.:** **US D516,089 S**

(45) **Date of Patent:** **** Feb. 28, 2006**

(54) **AIR COMPRESSOR**

D492,700 S * 7/2004 Hsiao D15/7
D497,620 S * 10/2004 Morton D15/7

(76) **Inventor:** **E-Ming Hsiao**, No. 427, Sec. 2,
Doou-Chung Rd., Tien-Chung,
Chang-Hwa (TW)

* cited by examiner

(**) **Term:** **14 Years**

Primary Examiner—Ralf Seifert
(74) *Attorney, Agent, or Firm*—Alan D. Kamrath; Nikolai
& Mersereau, P.A.

(21) **Appl. No.:** **29/224,060**

(57) **CLAIM**

(22) **Filed:** **Feb. 24, 2005**

The ornamental design for an air compressor, as shown and described.

(51) **LOC (8) Cl.** **15-02**

(52) **U.S. Cl.** **D15/7**

(58) **Field of Classification Search** D15/7-9;
417/234-235, 360, 415; D26/38; 248/645;
415/148

See application file for complete search history.

DESCRIPTION

FIG. 1 is a perspective view of an air compressor showing my new design.

FIG. 2 is a front view thereof;

FIG. 3 is a rear view thereof;

FIG. 4 is a left side view thereof;

FIG. 5 is a right side view thereof;

FIG. 6 is a top view thereof;

FIG. 7 is a bottom view thereof; and,

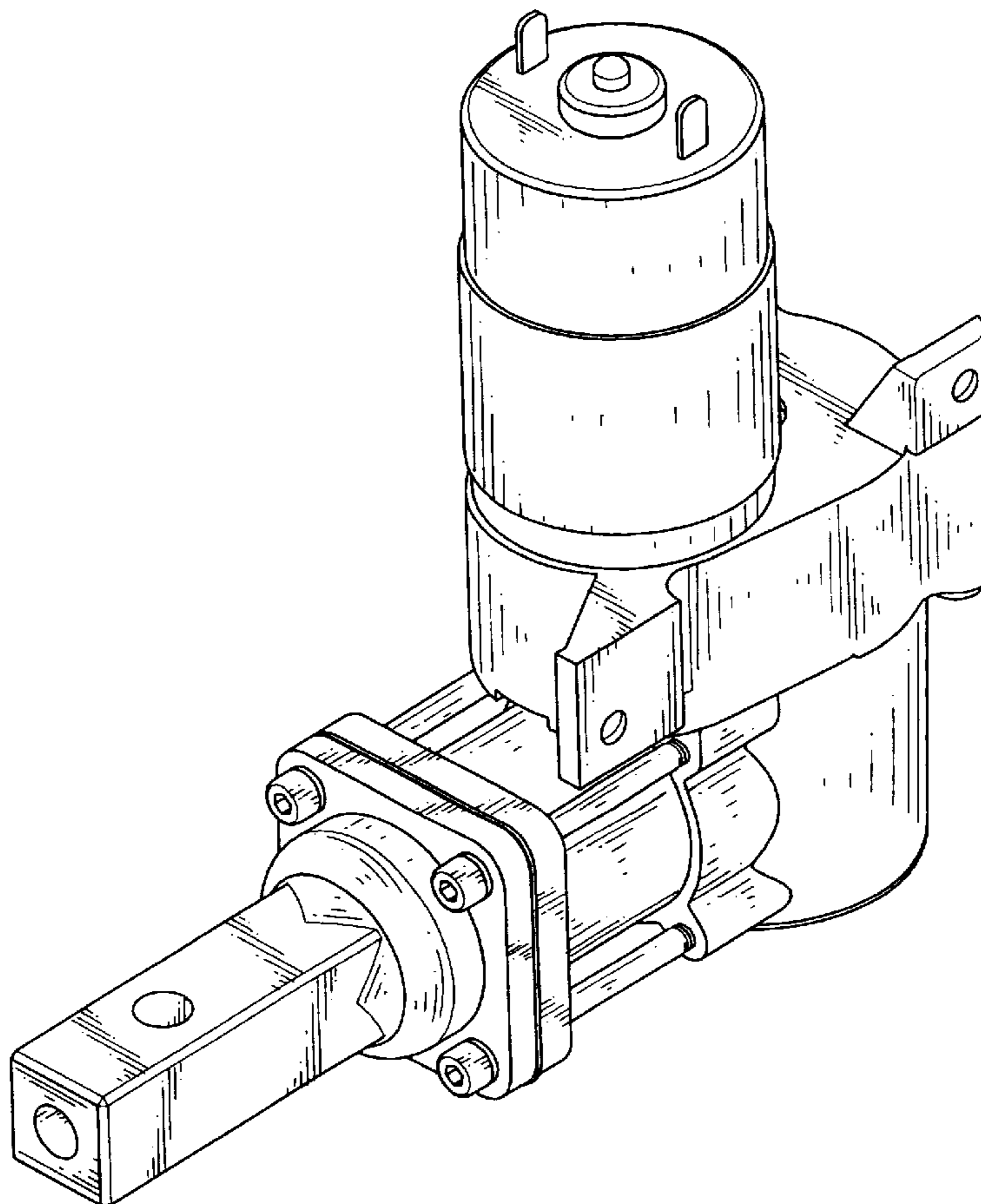
FIG. 8 is a perspective view showing an embodiment of the claimed design, wherein the broken lines are shown for illustrative purposes only and form no part of the claimed design.

(56) **References Cited**

U.S. PATENT DOCUMENTS

D319,245 S	*	8/1991	Larson	D15/7
D388,439 S	*	12/1997	Cantley et al.	D15/7
D391,270 S	*	2/1998	Chowdhury	D15/7
D399,214 S	*	10/1998	DeRuyter	D15/9
D419,567 S	*	1/2000	Weiss	D15/7
D444,799 S	*	7/2001	Thomas et al.	D15/9
D470,509 S	*	2/2003	Chen	D15/9

1 Claim, 8 Drawing Sheets



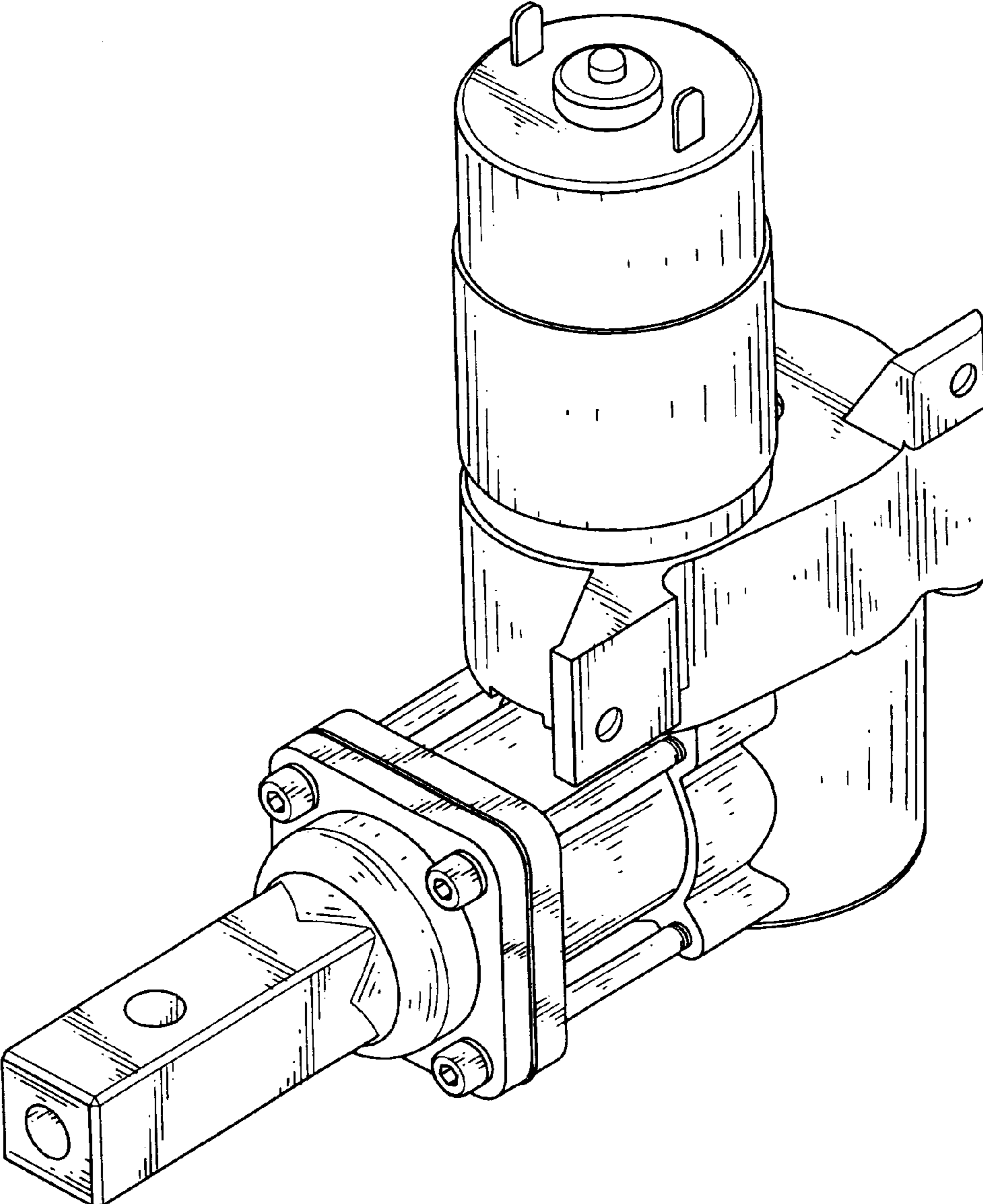


FIG.1

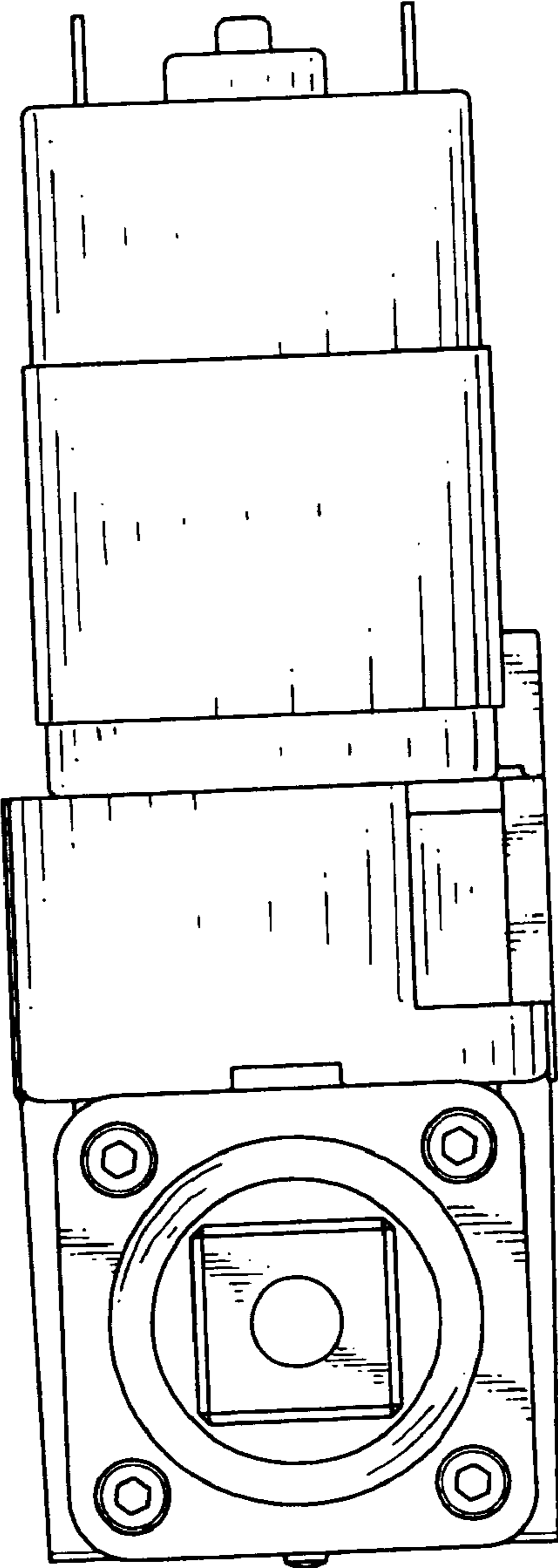


FIG.2

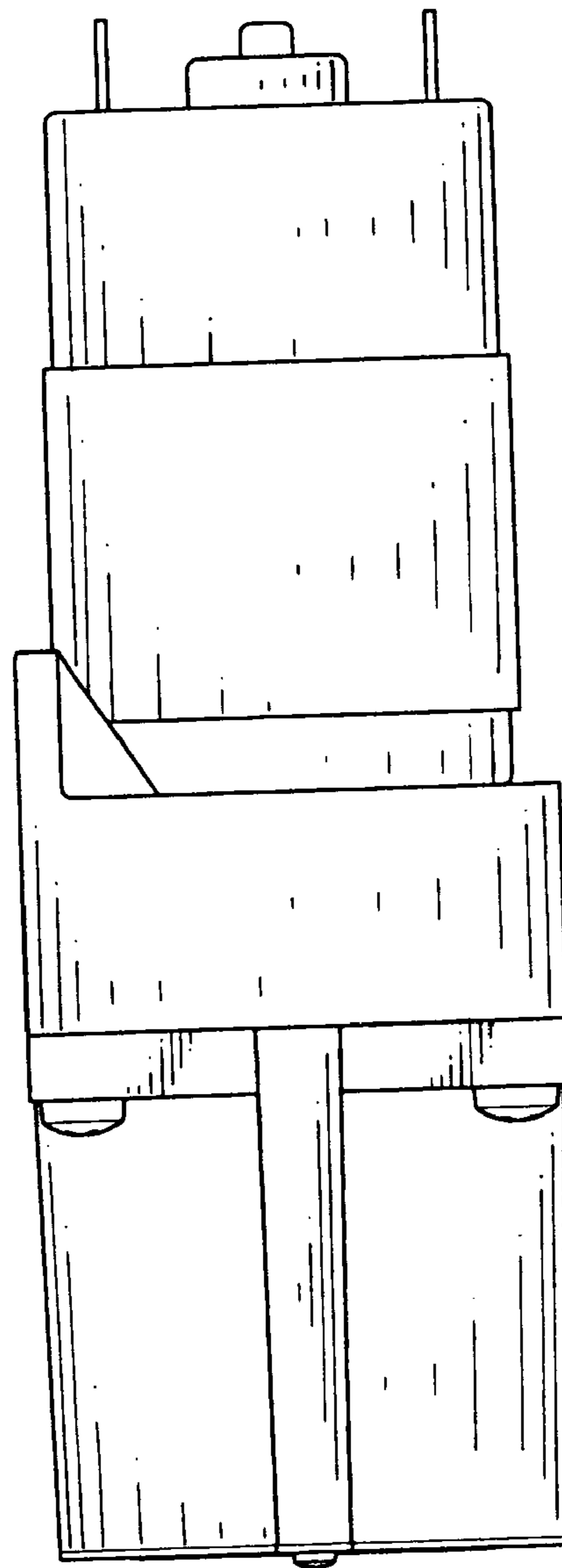


FIG.3

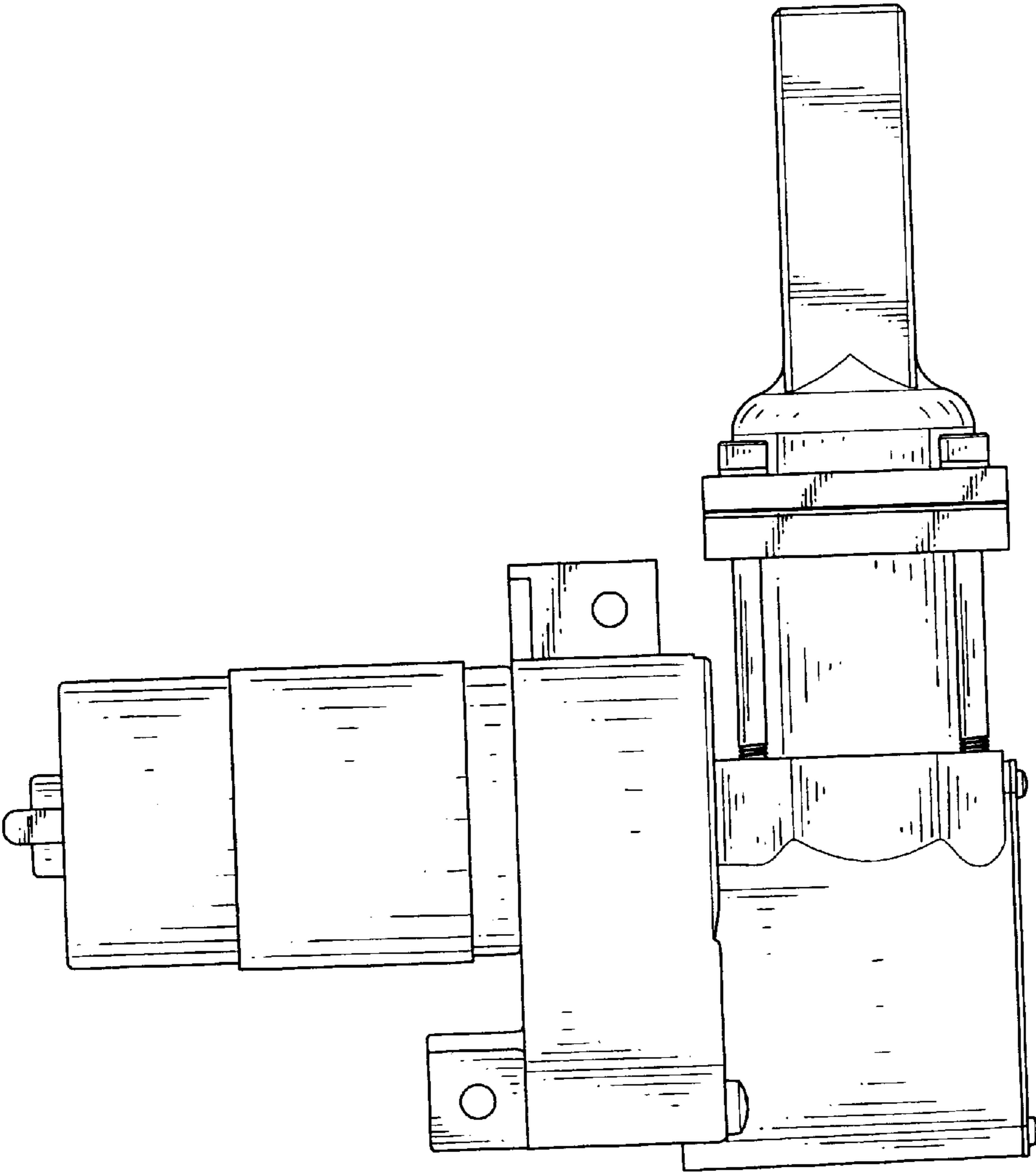


FIG.4

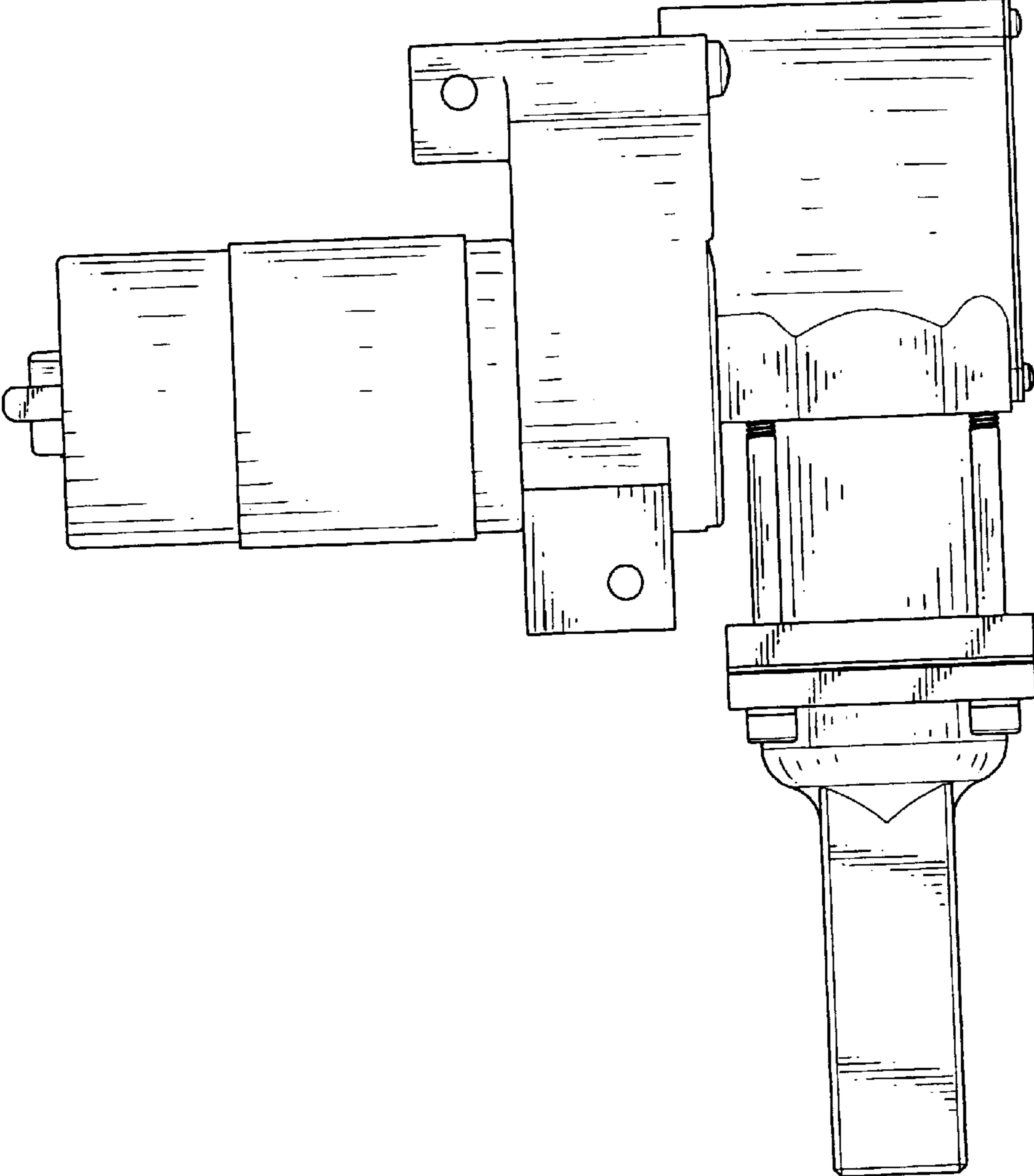


FIG. 5

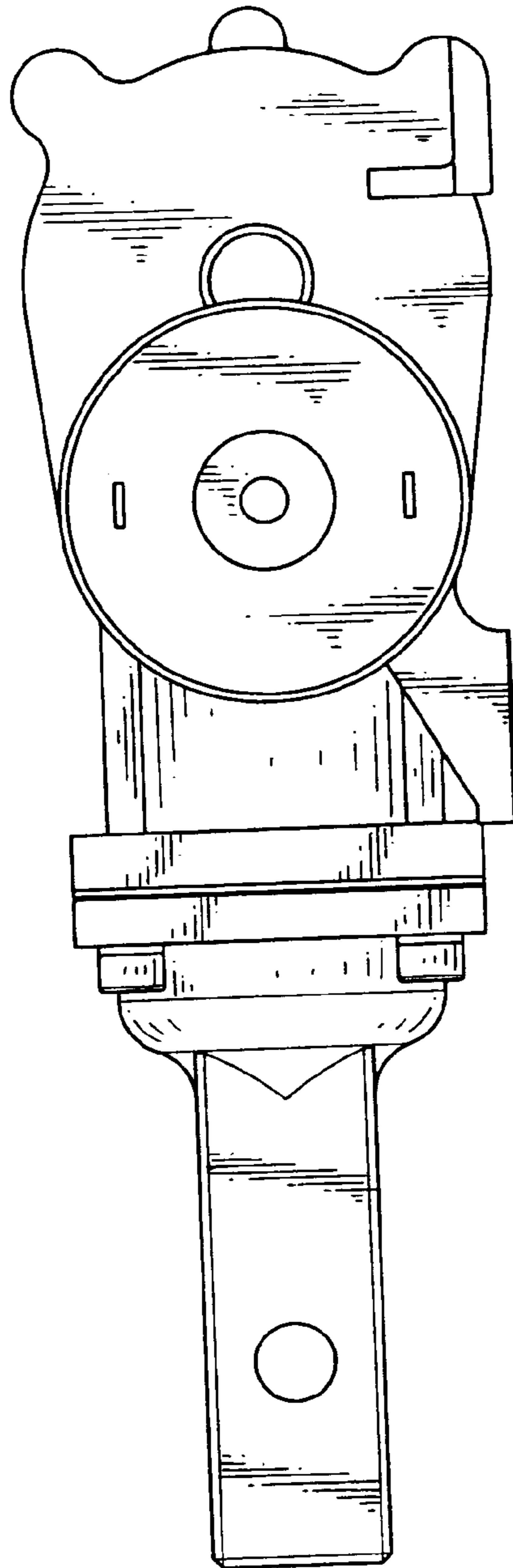


FIG. 6

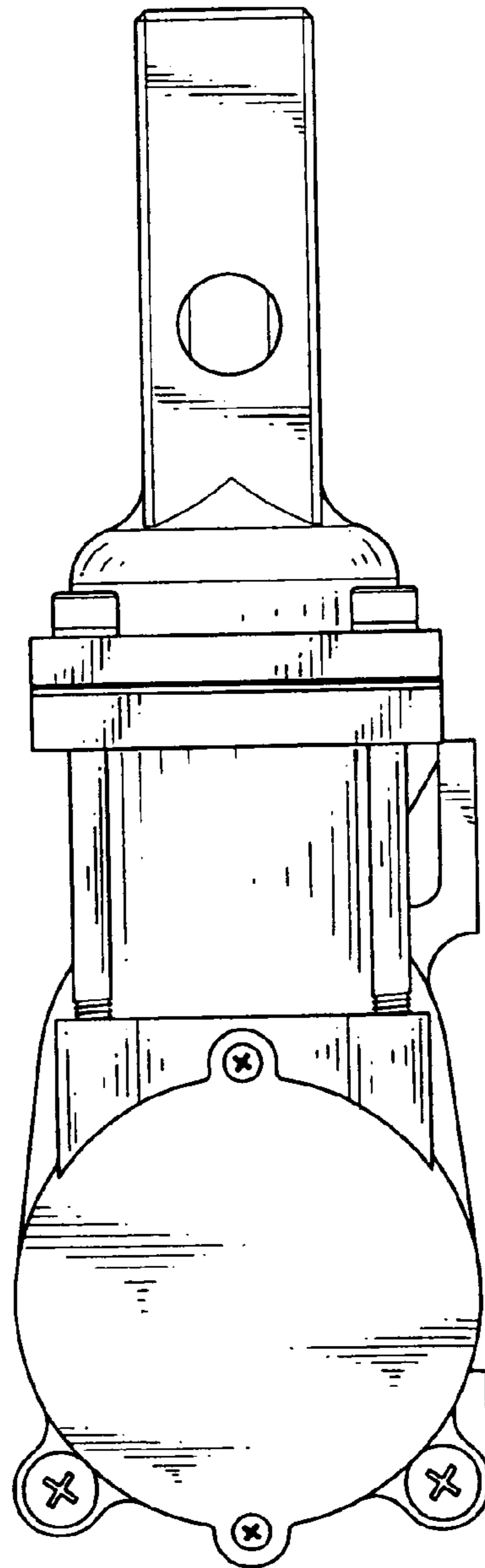


FIG. 7

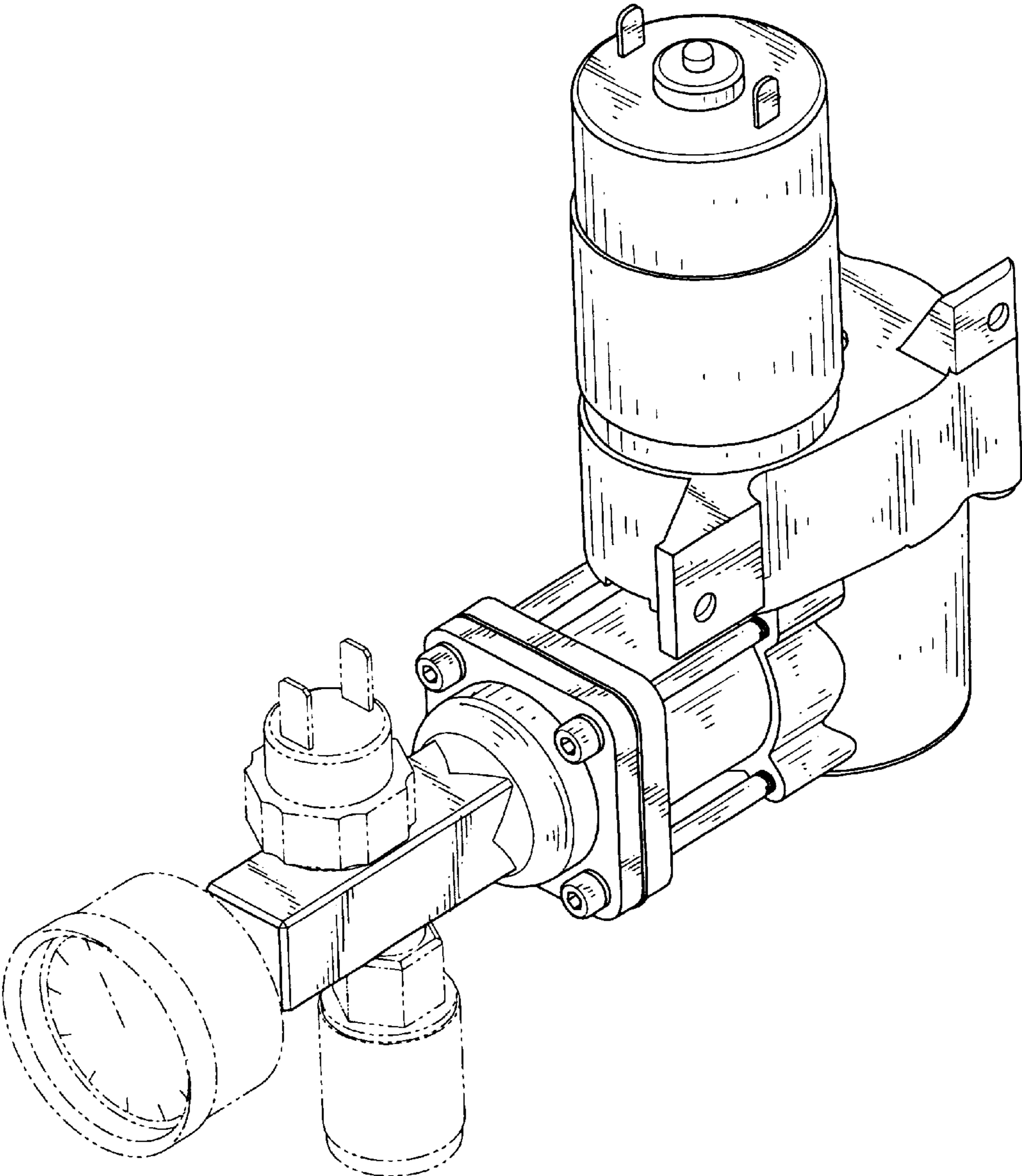


FIG.8