



US00D516084S

(12) **United States Design Patent**
Saito et al.

(10) **Patent No.:** **US D516,084 S**
(45) **Date of Patent:** **** Feb. 28, 2006**

(54) **ENGINE FOR AN AIRPLANE**

6,279,519 B1 * 8/2001 Nagel et al. 123/55.5
6,526,927 B1 * 3/2003 Palmer 123/56.1

(75) Inventors: **Kazuhiko Saito**, Saitama (JP);
Yukinori Kawaguchi, Saitama (JP)

OTHER PUBLICATIONS

U.S. Appl. No. 29/186,730S filed Jul. 23, 2003.

(73) Assignee: **Honda Motor Co., Ltd.**, Tokyo (JP)

* cited by examiner

(**) Term: **14 Years**

Primary Examiner—Caron D. Veynar
Assistant Examiner—Maurice Stevens

(21) Appl. No.: **29/196,316**

(74) *Attorney, Agent, or Firm*—Westerman, Hattori,
Daniels & Adrian, LLP

(22) Filed: **Dec. 29, 2003**

(30) **Foreign Application Priority Data**

(57) **CLAIM**

Jul. 24, 2003 (JP) 2003-021360

The ornamental design for, engine for an airplane, as shown
and described.

(51) **LOC (8) Cl.** **15-01**

DESCRIPTION

(52) **U.S. Cl.** **D15/1**

(58) **Field of Classification Search** D15/1,
D15/3

See application file for complete search history.

FIG. 1 is a front elevation view of an engine for an airplane,
showing our new design;
FIG. 2 is a rear elevation view thereof;
FIG. 3 is a top plan view thereof;
FIG. 4 is a right side elevation view thereof;
FIG. 5 is a left side elevation view thereof;
FIG. 6 is a perspective view thereof; and,
FIG. 7 is another perspective view thereof.

(56) **References Cited**

U.S. PATENT DOCUMENTS

2,419,787 A * 4/1947 Muffly 416/129
4,469,078 A * 9/1984 Speer et al. 123/564
5,083,544 A * 1/1992 Brighigna 123/508
5,513,601 A * 5/1996 Benson 123/54.4

1 Claim, 7 Drawing Sheets

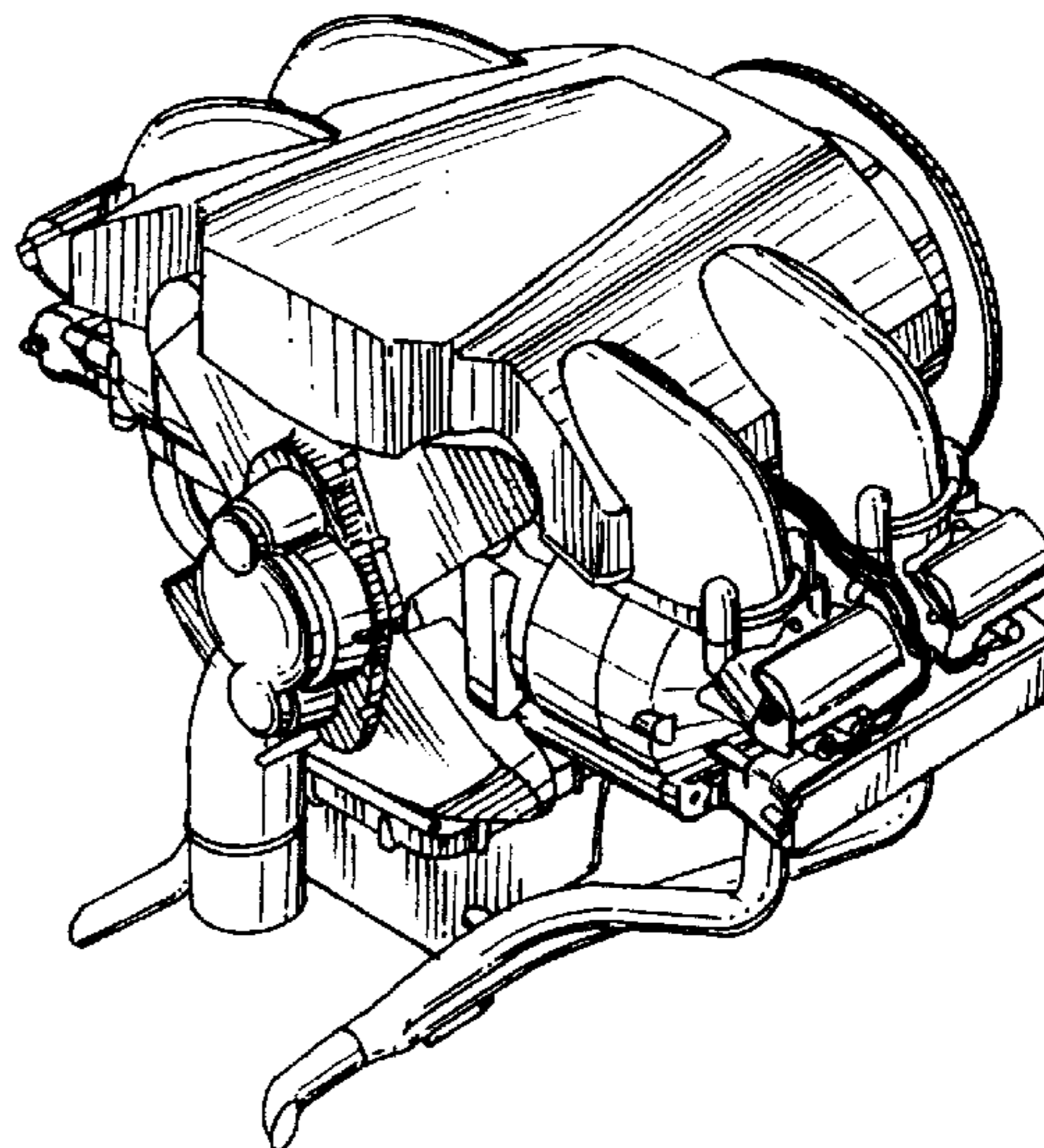
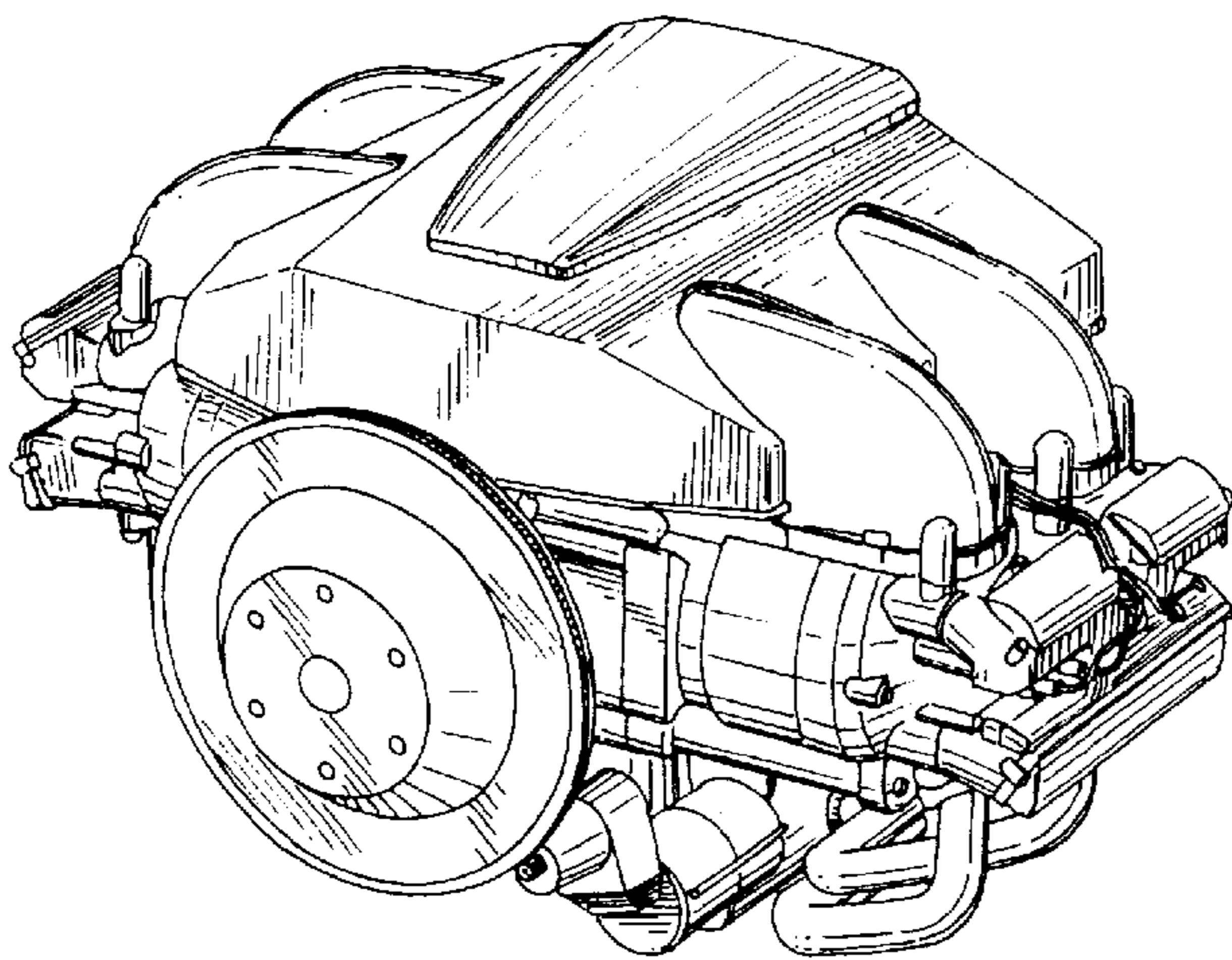


FIG. 1

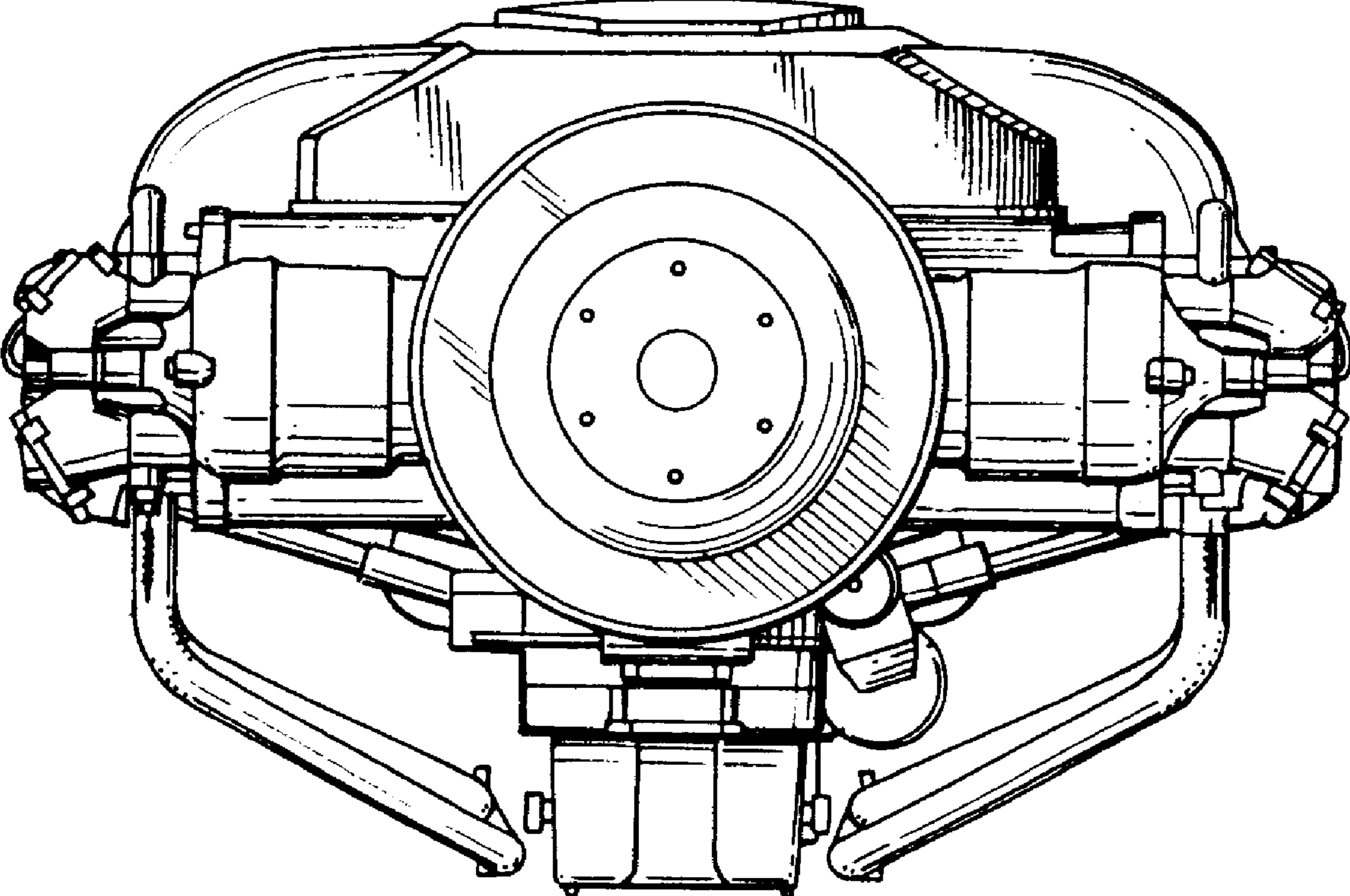


FIG. 2

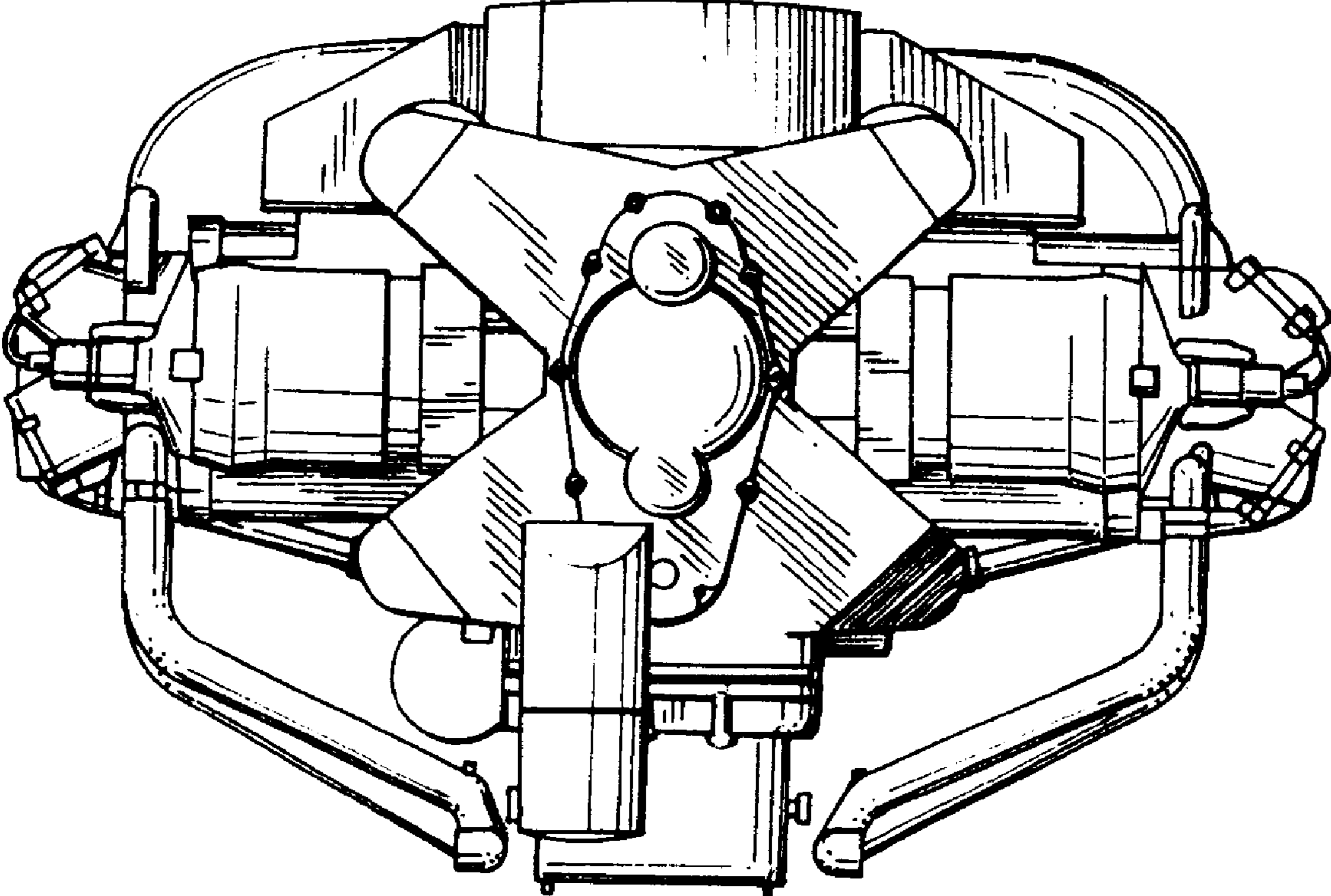


FIG. 3

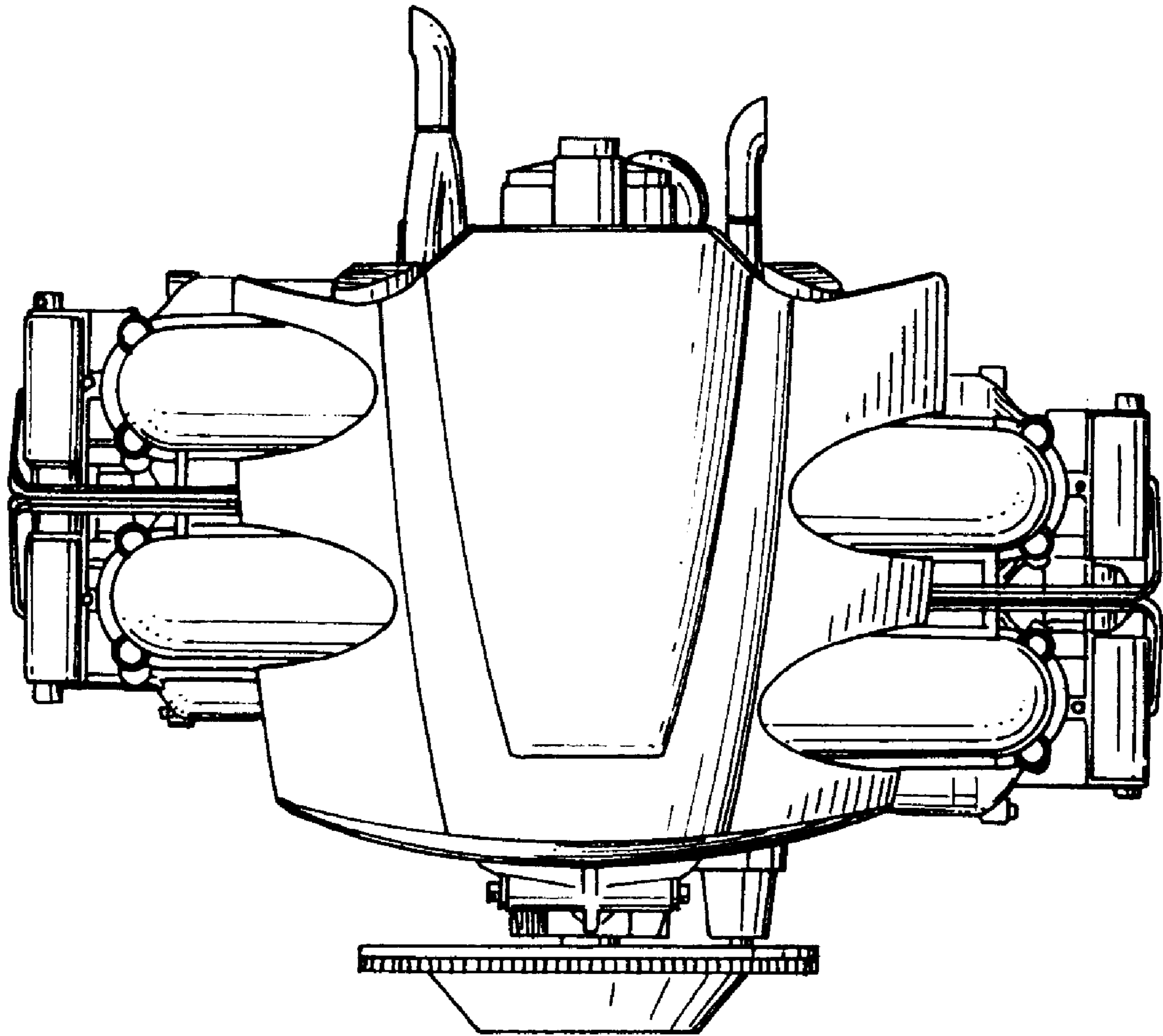


FIG. 4

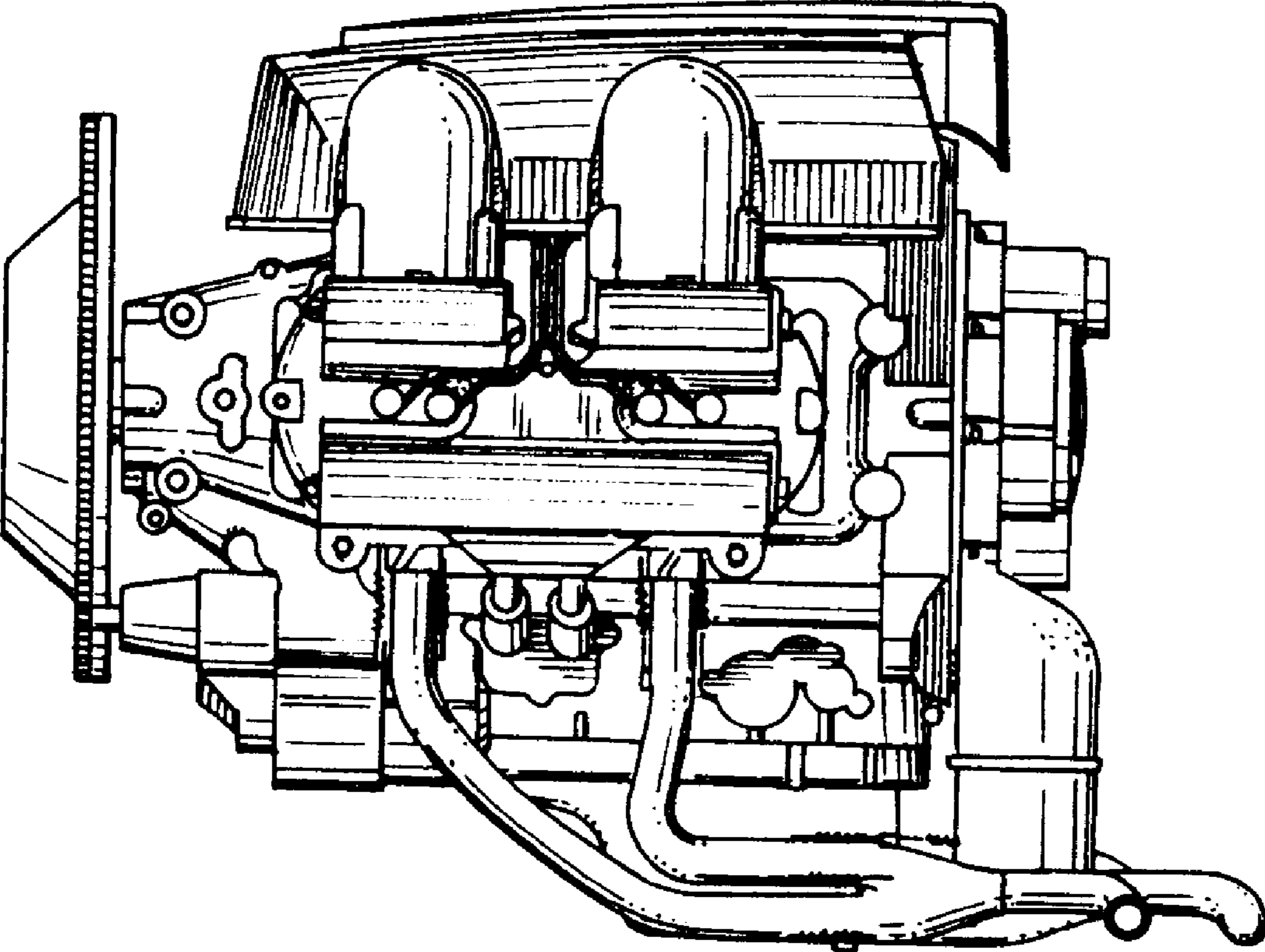


FIG. 5

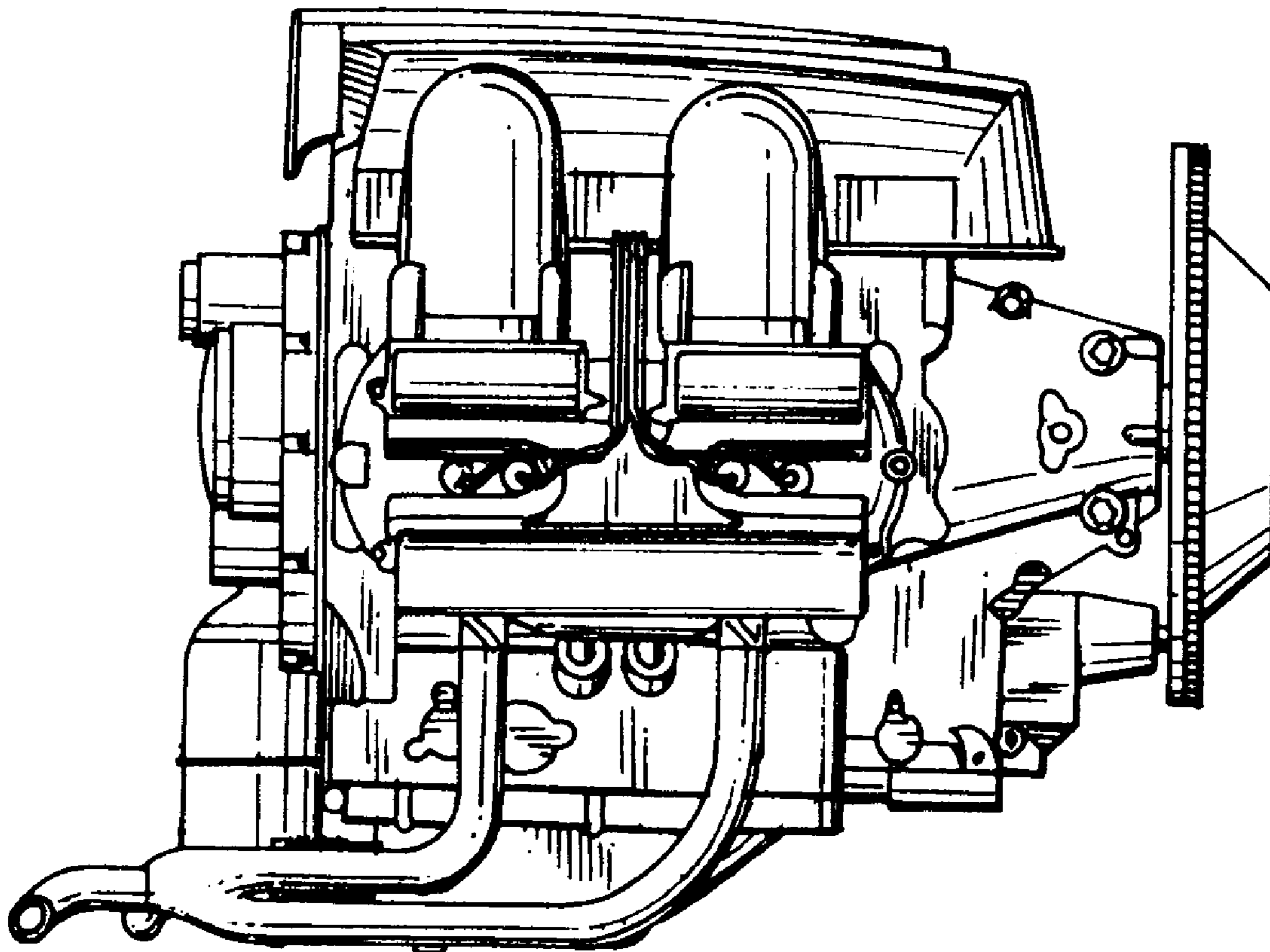


FIG. 6

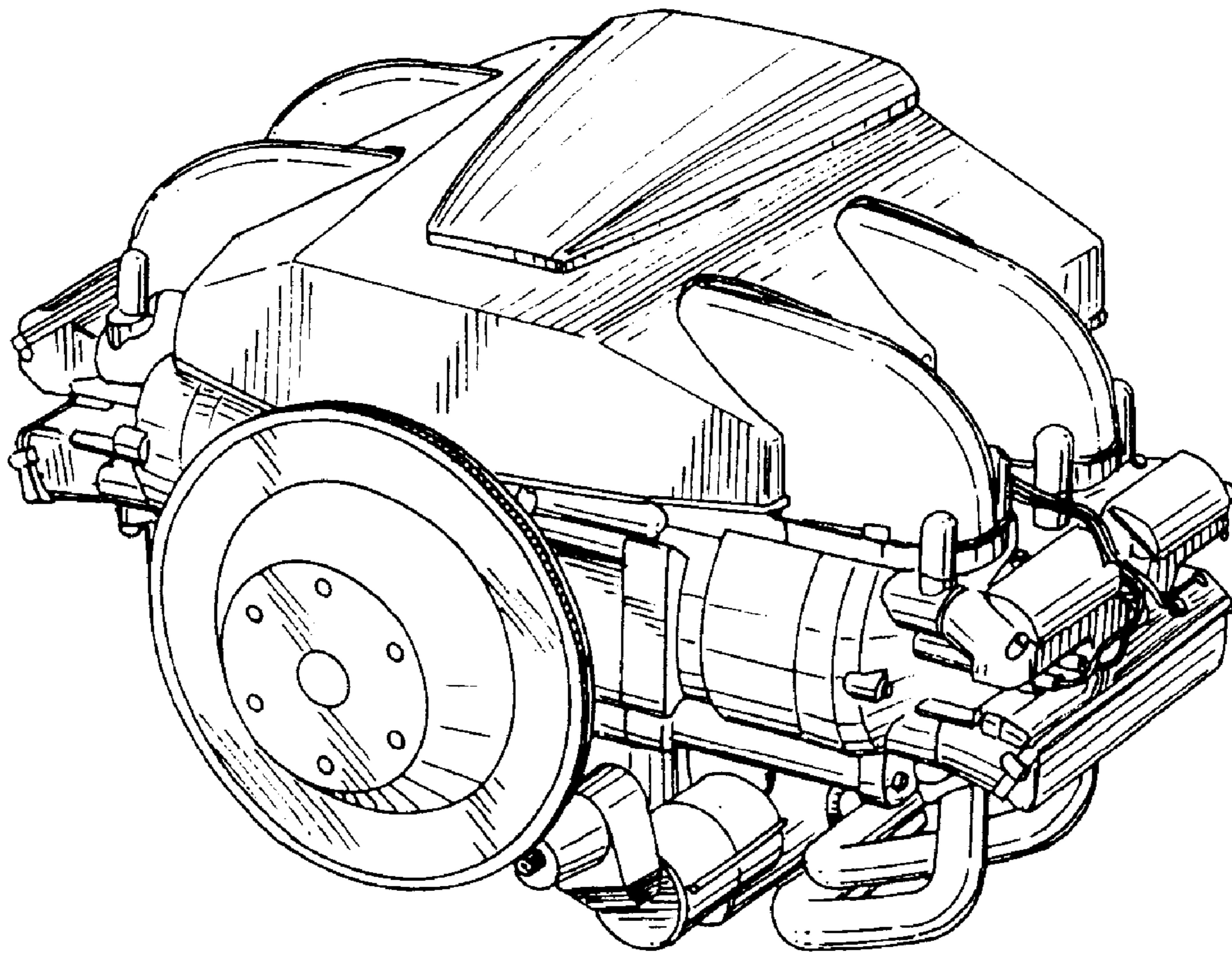


FIG. 7

