



US00D516081S

(12) **United States Design Patent**
Takimoto

(10) **Patent No.:** **US D516,081 S**
(45) **Date of Patent:** **** Feb. 28, 2006**

(54) **FACSIMILE MACHINE**
(75) **Inventor:** **Makoto Takimoto, Nara-ken (JP)**
(73) **Assignee:** **Sharp Kabushiki Kaisha, Osaka (JP)**
(**) **Term:** **14 Years**

D355,907 S * 2/1995 Takeuchi D14/462
5,387,980 A 2/1995 Britz et al.
D370,479 S 6/1996 Omono
D383,744 S 9/1997 Matsushima et al.
D397,333 S * 8/1998 Kawai D14/462
D409,996 S * 5/1999 Isomoto D14/462
D431,251 S 9/2000 Fujimoto
D468,321 S 1/2003 Naganuma

(21) **Appl. No.:** **29/223,968**
(22) **Filed:** **Feb. 24, 2005**
(30) **Foreign Application Priority Data**
Oct. 13, 2004 (JP) 2004-030962
(51) **LOC (8) Cl.** **16-03**
(52) **U.S. Cl.** **D14/463**
(58) **Field of Classification Search** D14/462-471;
358/400-402; D18/36, 37
See application file for complete search history.

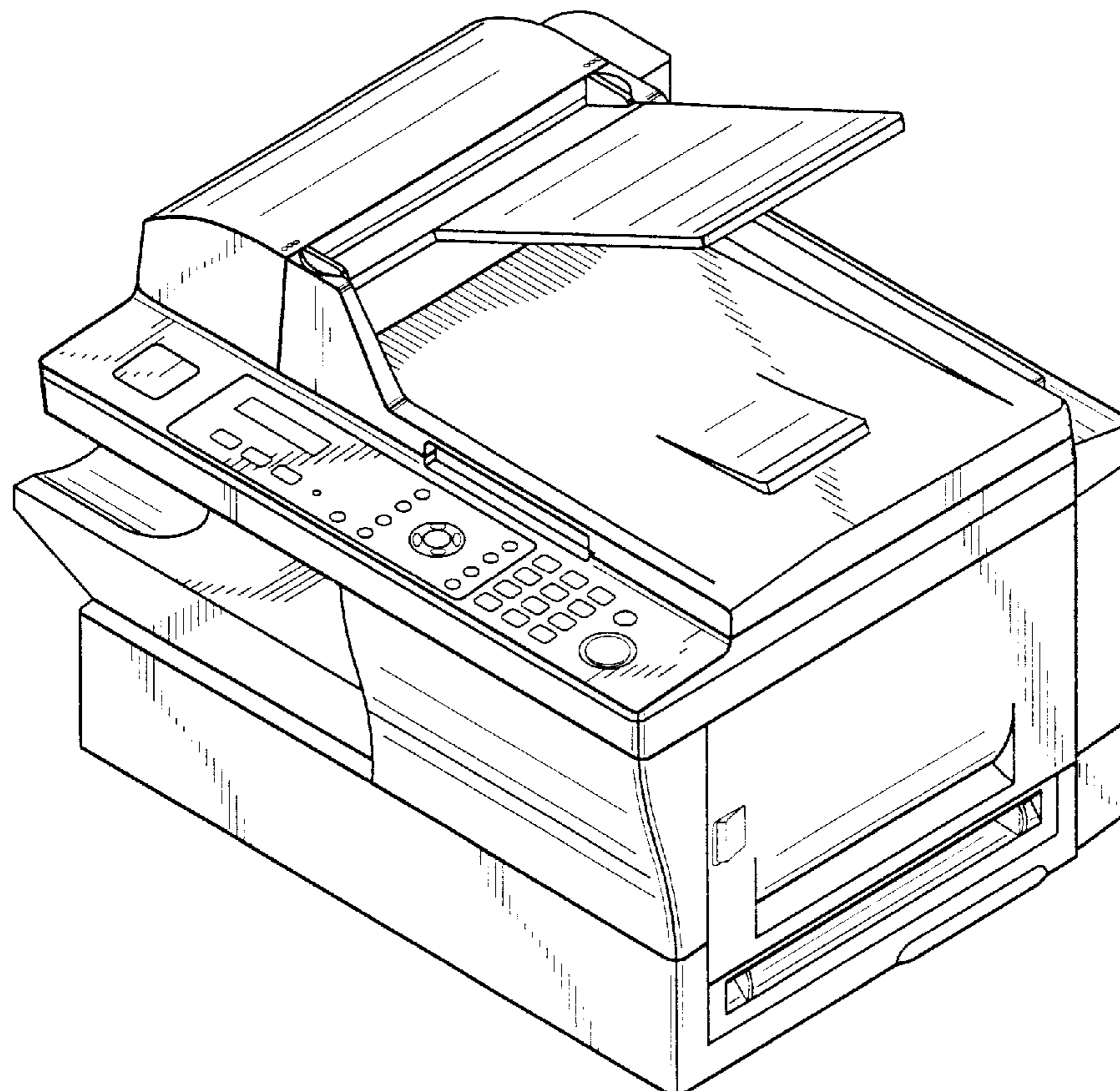
* cited by examiner
Primary Examiner—Prabhakar Deshmukh
(74) *Attorney, Agent, or Firm*—Nixon & Vanderhye, P.C.

(56) **References Cited**
U.S. PATENT DOCUMENTS
D323,821 S * 2/1992 Ishikawa et al. D14/462
5,166,812 A 11/1992 Dow et al.
D338,197 S 8/1993 Miyazawa
5,329,377 A 7/1994 Gregg
D355,177 S 2/1995 Sawada et al.
D355,905 S * 2/1995 Takeuchi D14/462

(57) **CLAIM**
The ornamental design for a “facsimile machine,” as shown and described.

DESCRIPTION
FIG. 1 is a top front and right side perspective view of a facsimile machine according to my design;
FIG. 2 is a front elevational view thereof;
FIG. 3 is a rear elevational view thereof;
FIG. 4 is a top plan view thereof;
FIG. 5 is a bottom plan view thereof;
FIG. 6 is a right side elevational view thereof; and,
FIG. 7 is a left side elevational view thereof.

1 Claim, 7 Drawing Sheets



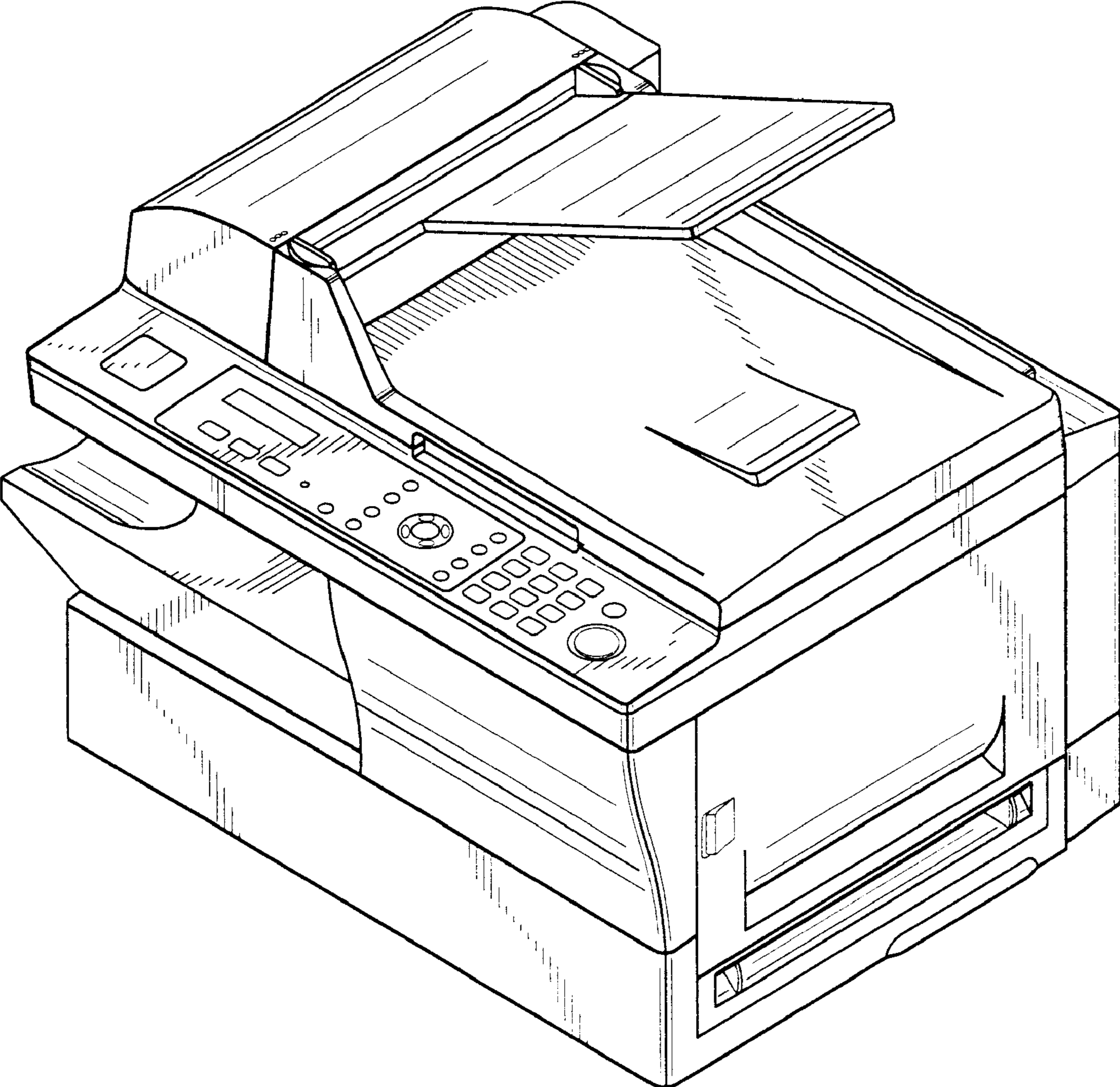


Fig.1

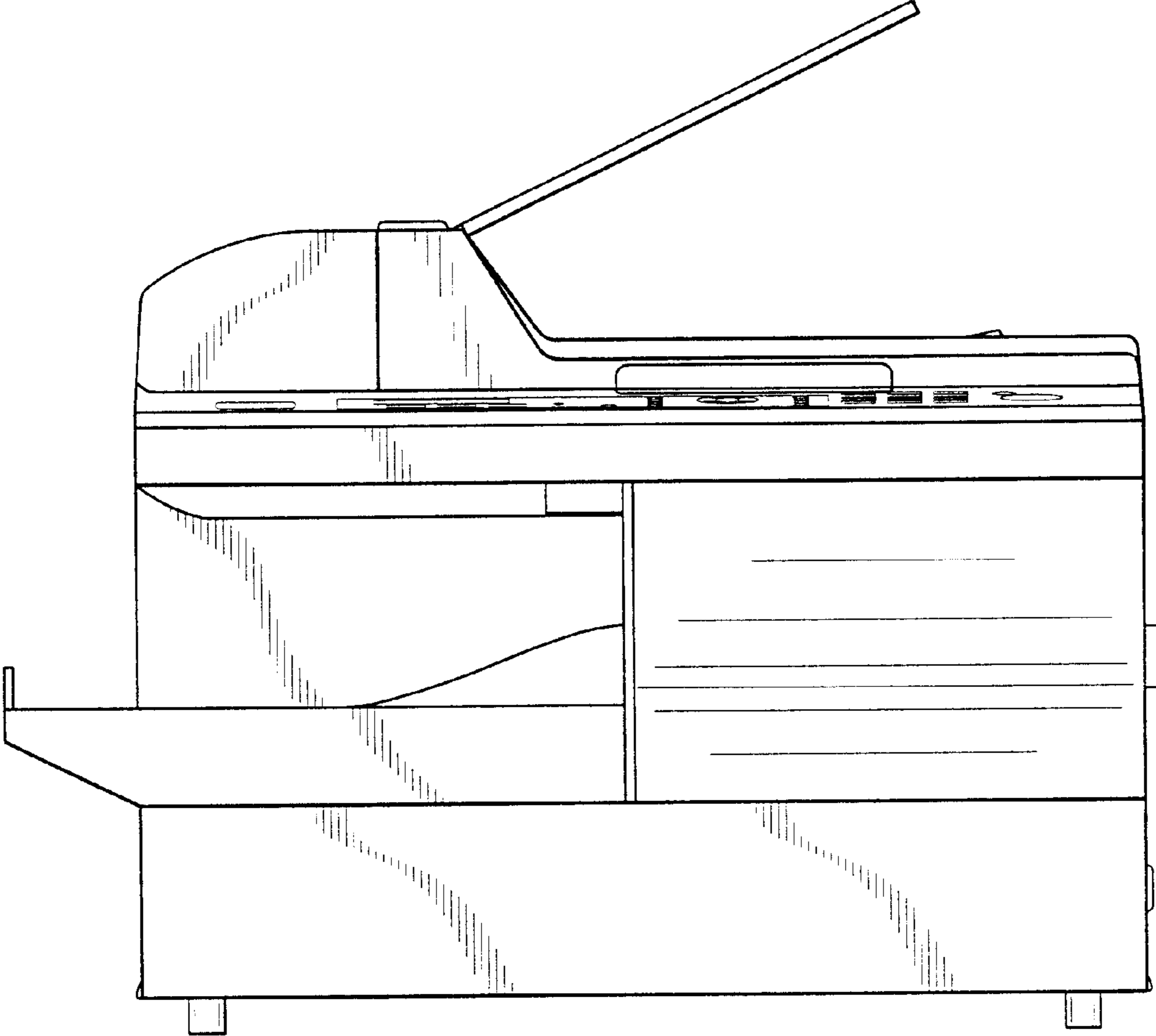


Fig.2

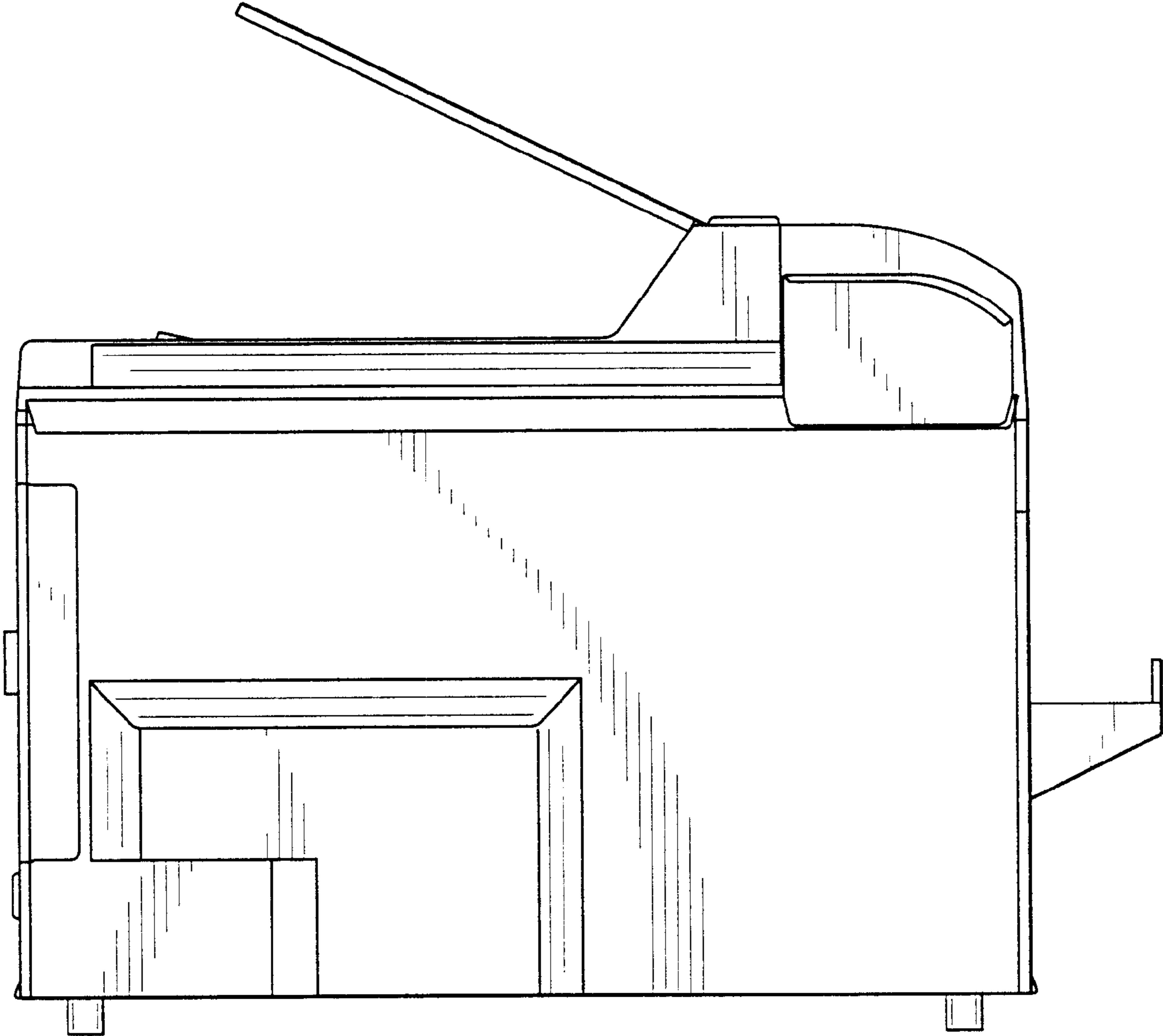


Fig.3

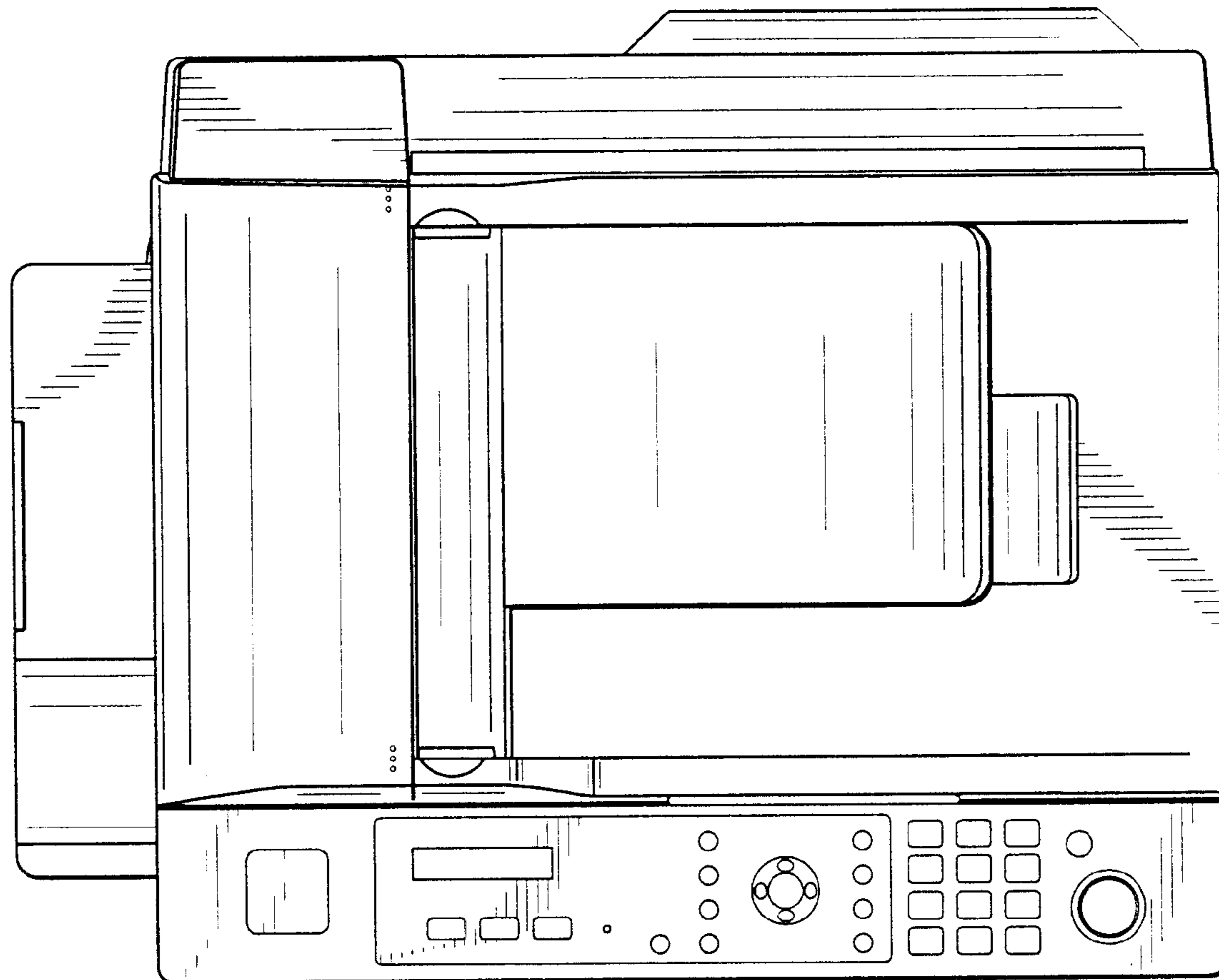


Fig.4

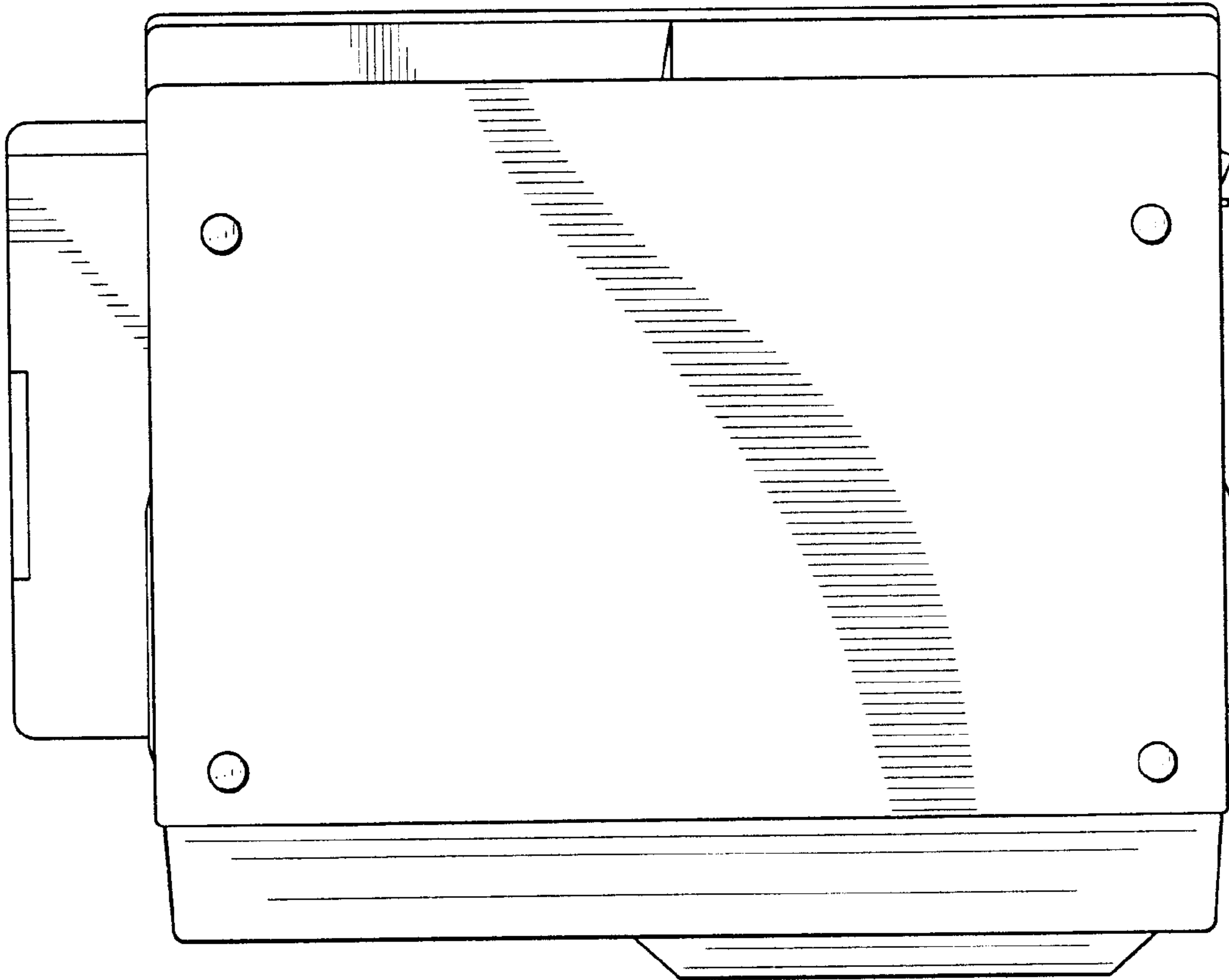


Fig.5

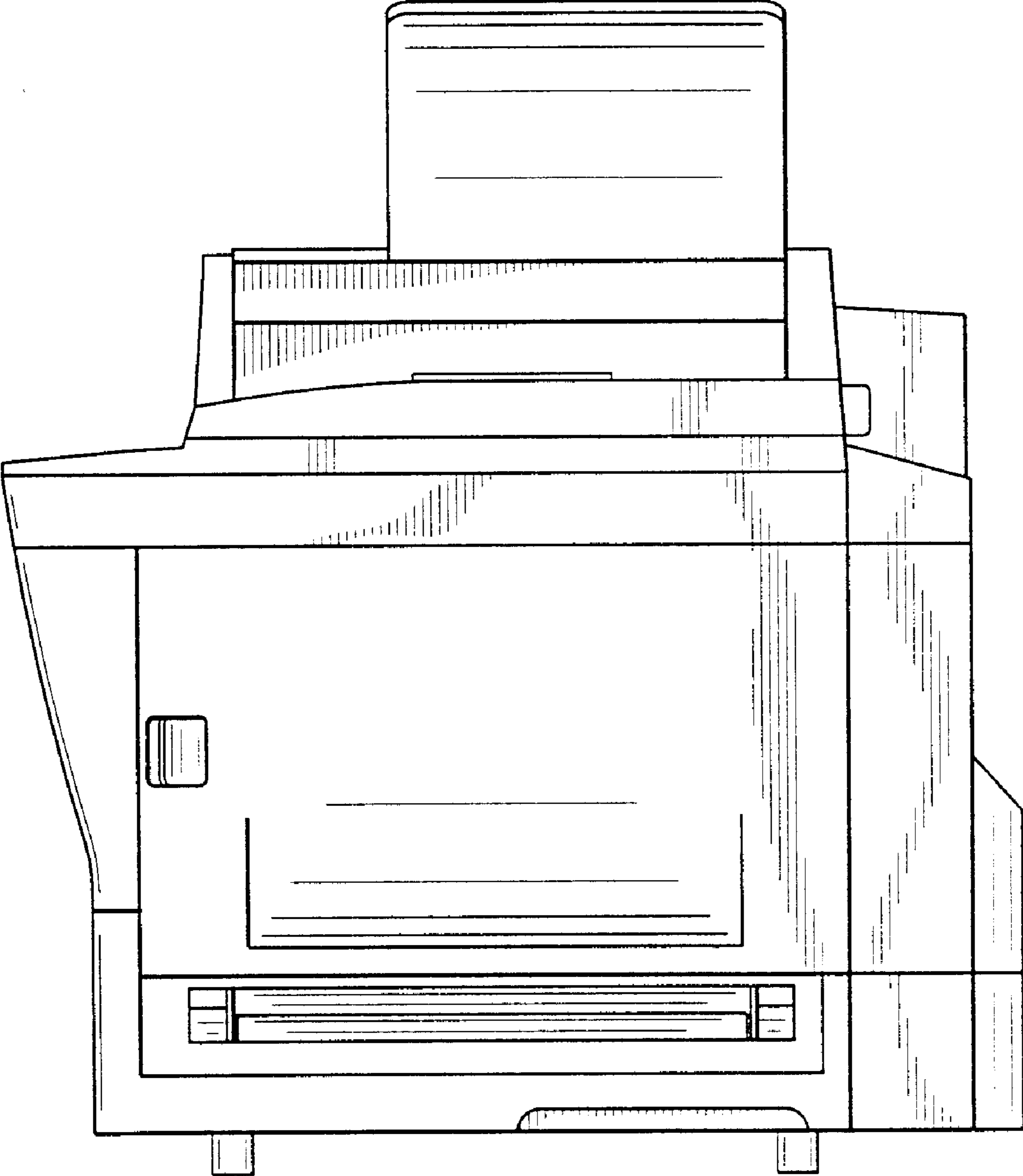


Fig.6

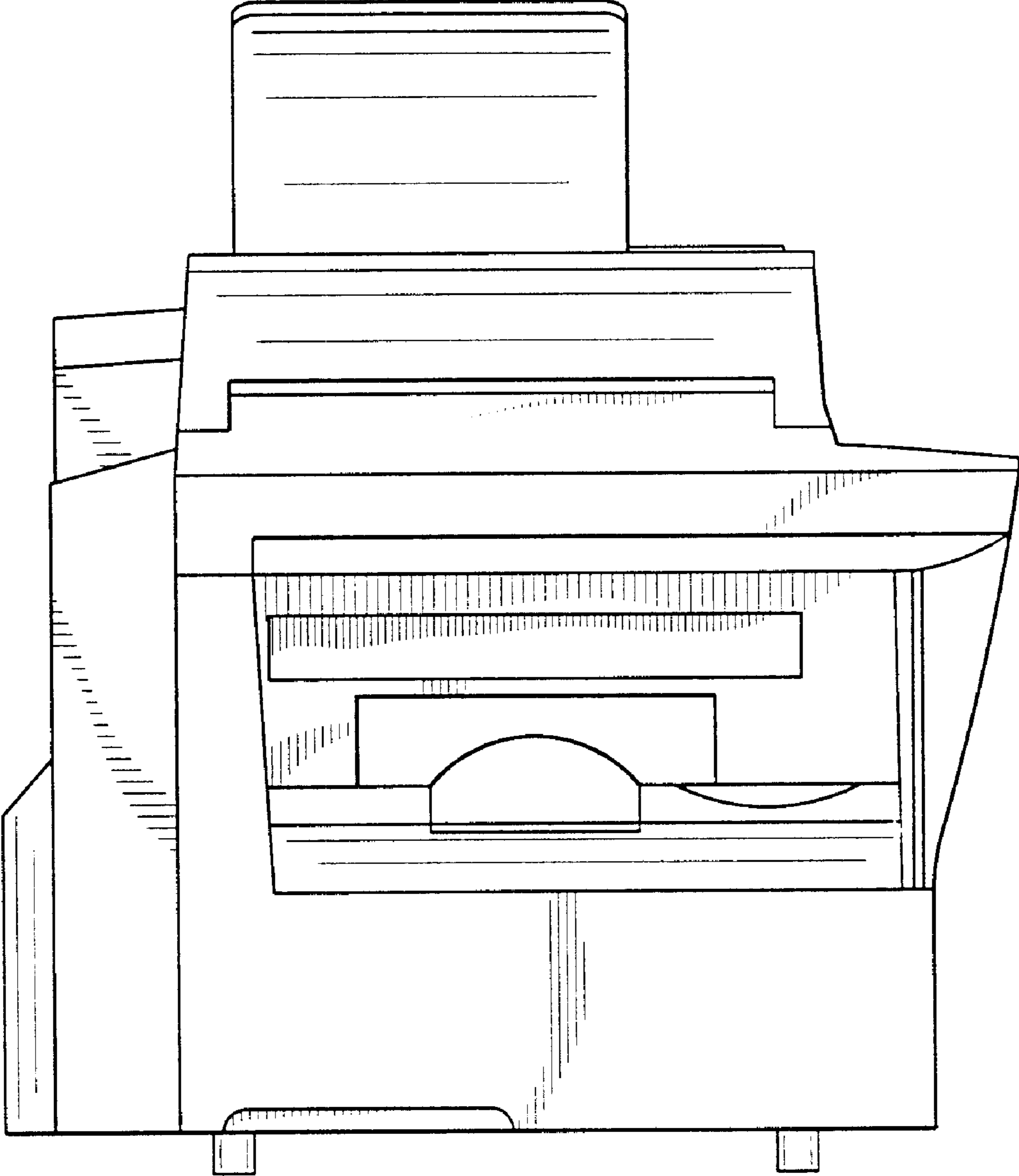


Fig.7