



US00D516080S

(12) **United States Design Patent**
Sakamoto et al.

(10) **Patent No.: US D516,080 S**
(45) **Date of Patent: ** Feb. 28, 2006**

(54) **KEYBOARD**

(75) Inventors: **Toru Sakamoto**, Tokyo (JP); **Yoshiya Watanabe**, Tokyo (JP); **Yasuhisa Kaneda**, Tokyo (JP); **Kanae Fukamatsu**, Tokyo (JP); **Michio Deguchi**, Tokyo (JP)

(73) Assignee: **Sony Computer Entertainment, Inc.**, Tokyo (JP)

(**) Term: **14 Years**

(21) Appl. No.: **29/216,835**

(22) Filed: **Nov. 10, 2004**

(30) **Foreign Application Priority Data**

May 10, 2004 (JP) D2004-013733

(51) **LOC (8) Cl.** **14-02**

(52) **U.S. Cl.** **D14/455**

(58) **Field of Classification Search** D14/455,
D14/392, 320, 388, 356, 390, 391, 394, 396,
D14/399, 400, 401, 432; 200/6 R, 7, 5 A;
D21/333; 235/145 R, 146, 145 A; 341/22,
341/23; 345/168, 169, 156; 400/485, 82,
400/88, 700, 472; 455/556.1-556.2, 554.2,
455/557, 560, 73, 74, 74.1; 248/309.1, 300;
713/300; 463/1, 47, 37, 48, 40-43; D18/2,
D18/7, 12.2; 178/17 A, 17 C, 18.03; 361/680;
379/433.07, 447, 455

See application file for complete search history.

(56) **References Cited**

U.S. PATENT DOCUMENTS

3,244,369 A * 4/1966 Nassimbene 235/145 R
4,615,629 A * 10/1986 Power 400/486
D320,598 S * 10/1991 Auerbach et al. D14/392
D322,606 S * 12/1991 Muller et al. D14/399
5,288,158 A * 2/1994 Matias 400/472
D368,708 S 4/1996 Maynard
5,638,257 A * 6/1997 Kumar et al. 361/680
5,733,056 A * 3/1998 Meagher 400/472
5,941,648 A * 8/1999 Robinson et al. 400/82

6,088,220 A * 7/2000 Katz 361/680
6,128,372 A * 10/2000 Tsai et al. 379/90.01
6,147,858 A * 11/2000 Takahashi 361/680
6,168,331 B1 * 1/2001 Vann 400/472
6,215,420 B1 * 4/2001 Harrison et al. 341/22
6,297,752 B1 * 10/2001 Ni 341/22
6,317,061 B1 * 11/2001 Batra et al. 341/22
6,370,018 B1 * 4/2002 Miller et al. 361/680
D462,354 S * 9/2002 Kimbre et al. D14/392
D462,358 S * 9/2002 Mah D14/447
6,445,380 B1 * 9/2002 Klein 345/168
D470,150 S * 2/2003 Lewis et al. D14/455
D470,151 S * 2/2003 Lewis et al. D14/455
6,556,186 B2 * 4/2003 Narusawa et al. 345/168
D475,710 S * 6/2003 Sheehan et al. D14/401
6,587,094 B2 * 7/2003 Anderson 345/168
6,587,096 B2 * 7/2003 Bullister 345/168

(Continued)

Primary Examiner—Alan P. Douglas

Assistant Examiner—Susan Moon Lee

(74) *Attorney, Agent, or Firm*—Rader, Fishman & Grauer PLLC

(57) **CLAIM**

The ornamental design for a keyboard, as shown and described.

DESCRIPTION

FIG. 1 is a front elevational view of a keyboard showing our new design;

FIG. 2 is a rear elevational view thereof;

FIG. 3 is a left side elevational view thereof, a right side elevational view thereof being a mirror image;

FIG. 4 is a top plan view thereof;

FIG. 5 is a bottom plan view thereof;

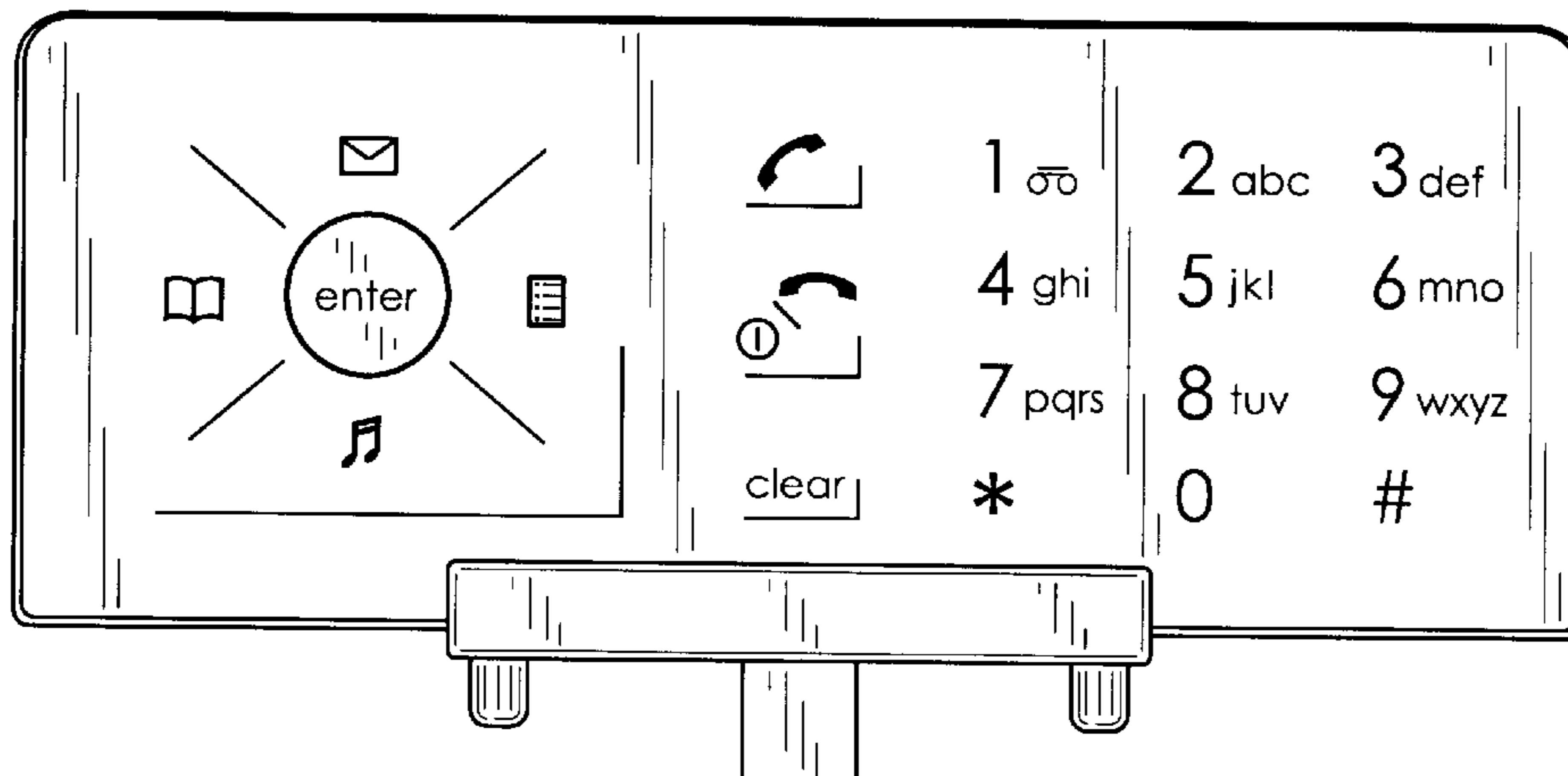
FIG. 6 is a front top right perspective view thereof;

FIG. 7 is a rear bottom left perspective view thereof; and,

FIG. 8 is a reduced front elevational view thereof, showing a using condition.

The broken line showing of the environment are for illustrative purposes only and forms no part of the claimed design.

1 Claim, 4 Drawing Sheets



US D516,080 S

Page 2

U.S. PATENT DOCUMENTS

6,594,142 B2 *	7/2003	Katz	361/680	6,625,011 B2 *	9/2003	Hyun	361/680
6,597,343 B1 *	7/2003	Akiyama et al.	345/168	D480,726 S *	10/2003	Yokota	D14/396
6,614,649 B1 *	9/2003	Wang	361/680	D482,363 S *	11/2003	Goto	D14/392
6,618,039 B1 *	9/2003	Grant et al.	345/168	D485,826 S	1/2004	Goto		

* cited by examiner

FIG.1

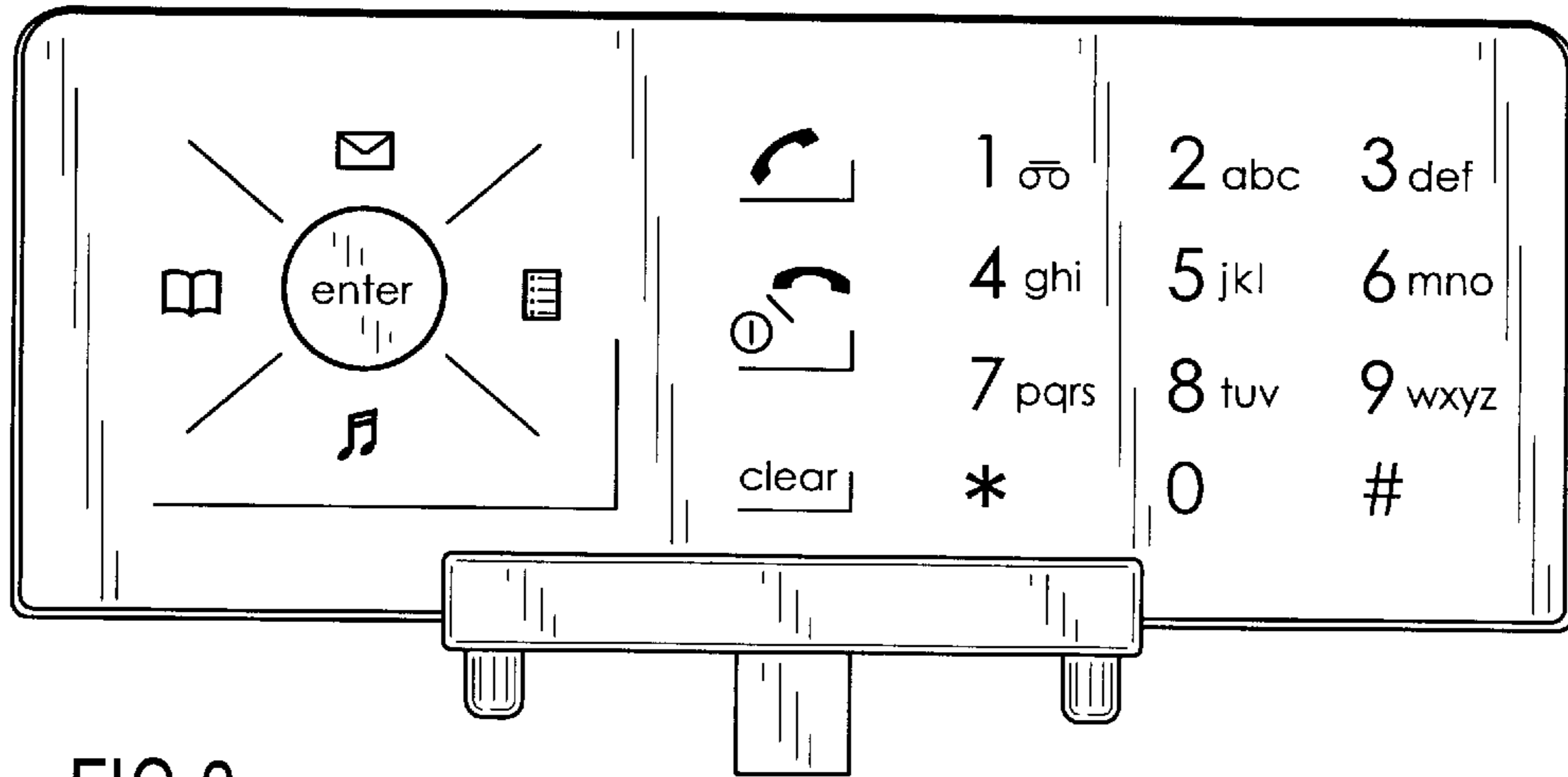


FIG.2

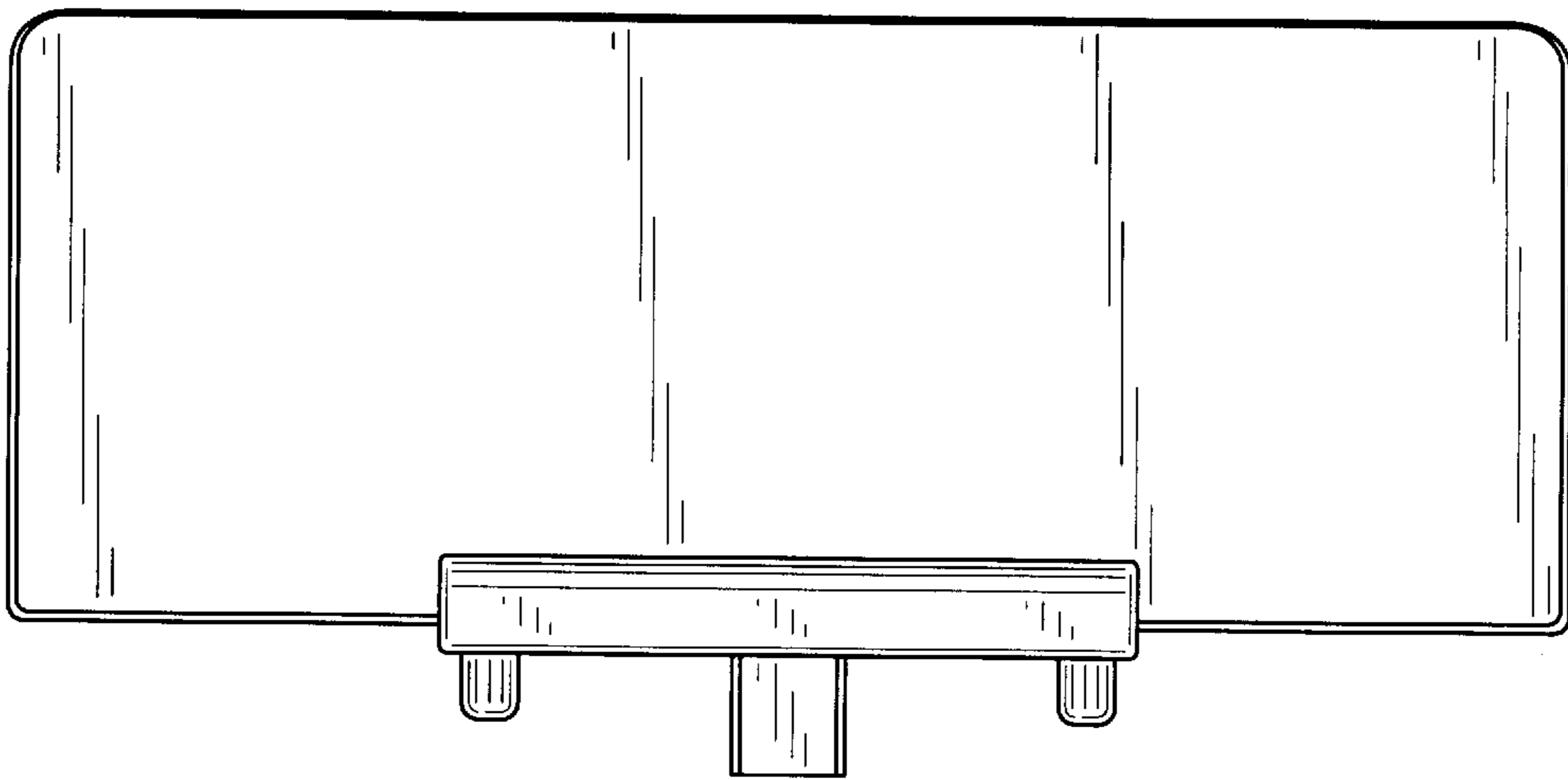


FIG.3

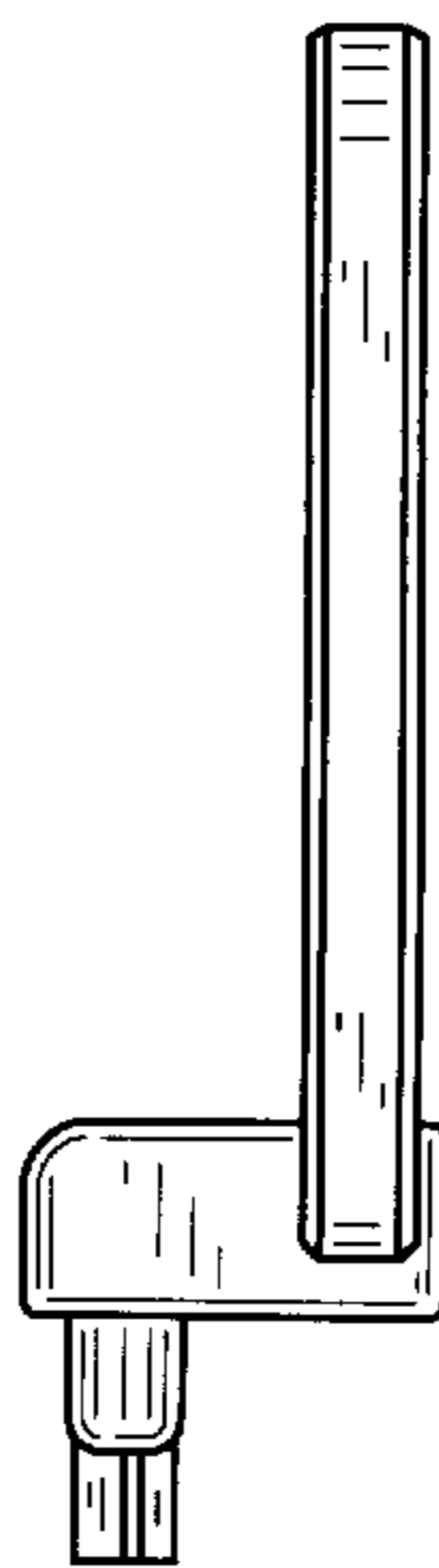


FIG.4

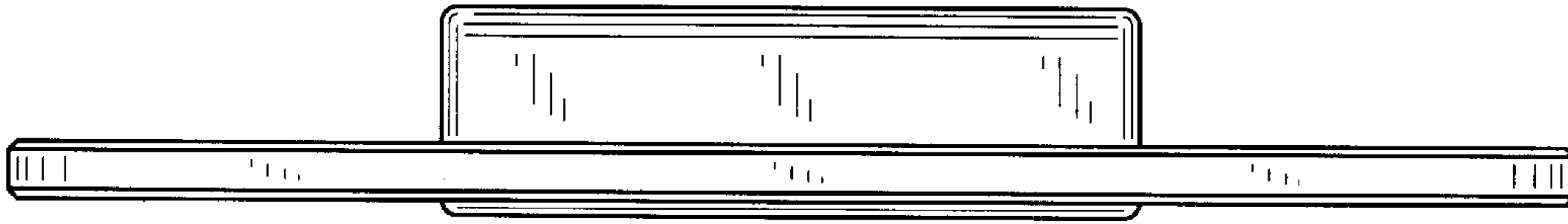


FIG.5



FIG.6

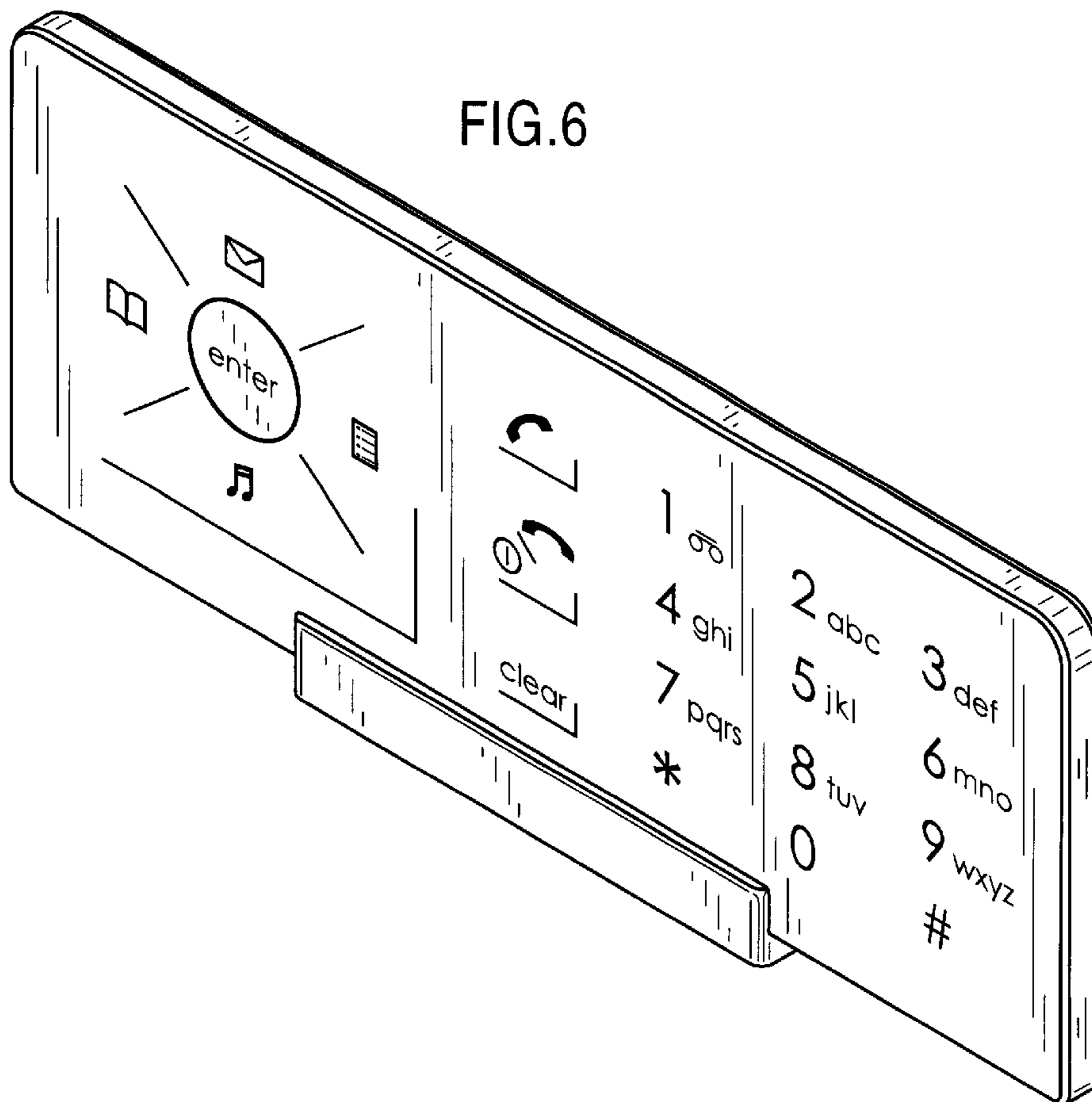


FIG.7

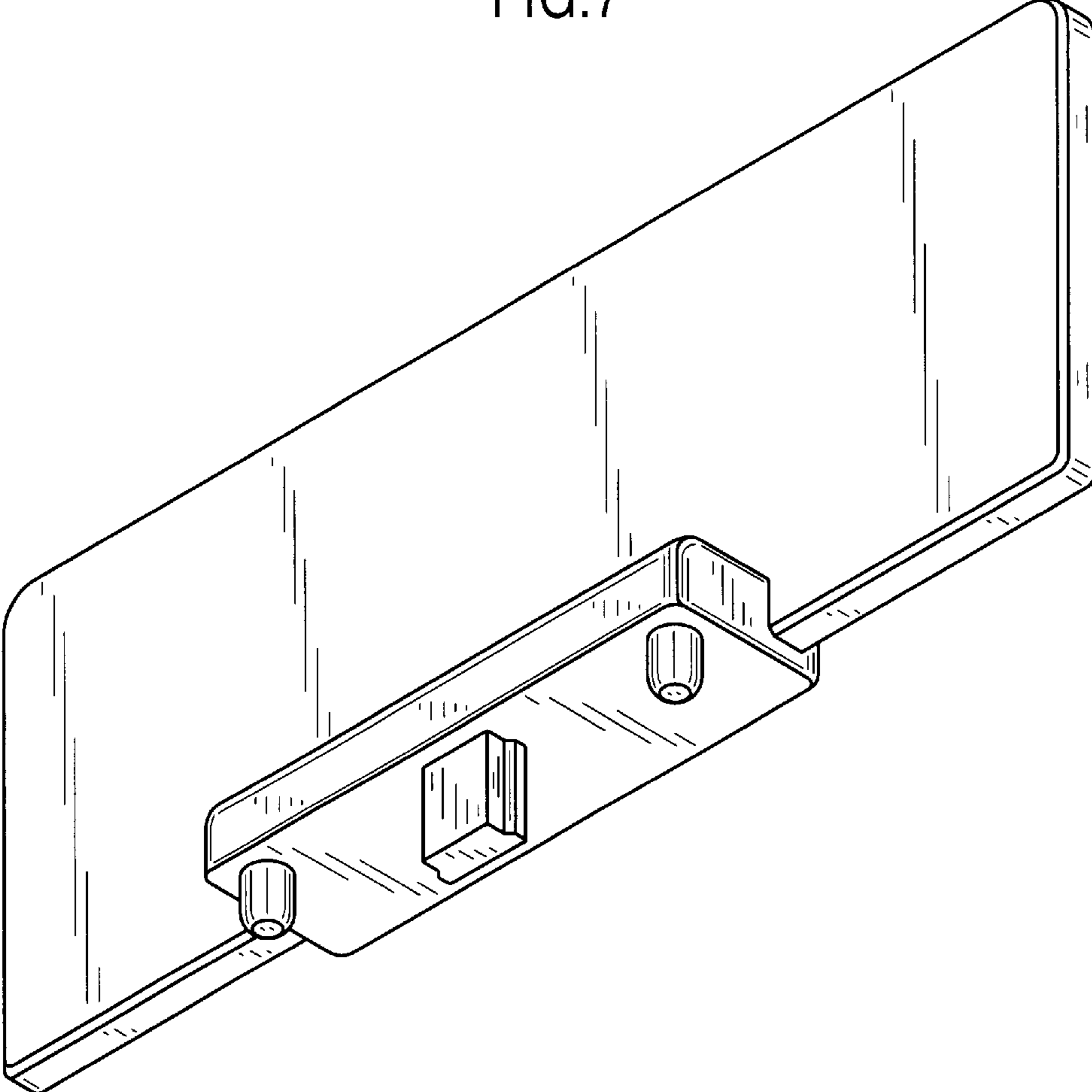


FIG.8

