



US00D516076S

(12) **United States Design Patent** (10) **Patent No.:** **US D516,076 S**
Ko (45) **Date of Patent:** **** Feb. 28, 2006**

(54) **ELECTRICAL FLASH MEMORY CARD**

(75) Inventor: **Young-Whi Ko**, Suwon (KR)

(73) Assignee: **Samsung Electronics Co., Ltd.** (KR)

(**) Term: **14 Years**

(21) Appl. No.: **29/216,023**

(22) Filed: **Oct. 28, 2004**

(30) **Foreign Application Priority Data**

Sep. 9, 2004 (KR) 30-2004-0027945

(51) **LOC (8) Cl.** **14-02**

(52) **U.S. Cl.** **D14/436**

(58) **Field of Classification Search** D14/435-437,
D14/479; D13/182; 361/684, 737, 736, 435,
361/436-37; 235/492, 487; 439/136, 131,
439/946, 638; 257/678, 679, 670, 686, 690-92,
257/703; 463/43-47

See application file for complete search history.

(56) **References Cited**

U.S. PATENT DOCUMENTS

- D320,225 S * 9/1991 Ido et al. D18/12
- 5,486,687 A * 1/1996 Le Roux 235/382
- 5,505,628 A * 4/1996 Ramey et al. 439/76.1
- D407,392 S * 3/1999 Kleineidam D14/479
- D442,598 S * 5/2001 Wallace et al. D14/436
- D445,096 S * 7/2001 Wallace D14/436
- D445,111 S * 7/2001 Okamoto et al. D14/436
- D445,797 S * 7/2001 Lee et al. D14/436
- 6,333,854 B1 * 12/2001 Sasaoka et al. 361/737
- D452,865 S * 1/2002 Wallace et al. D14/436

- D453,934 S * 2/2002 Wallace et al. D14/436
- 6,381,143 B1 * 4/2002 Nakamura 361/737
- D460,456 S * 7/2002 Shimoda et al. D14/436
- D467,586 S * 12/2002 Shimoda et al. D14/436
- D474,473 S * 5/2003 Fischer et al. D14/437
- 6,590,778 B1 * 7/2003 Hojo et al. 361/737
- D480,727 S * 10/2003 Gargani et al. D14/437
- D493,466 S * 7/2004 Yu et al. D14/436
- 2002/0036236 A1 * 3/2002 Kondo et al. 235/492

* cited by examiner

Primary Examiner—Doris Clark

Assistant Examiner—Susan Moon Lee

(74) *Attorney, Agent, or Firm*—Irving Keschner

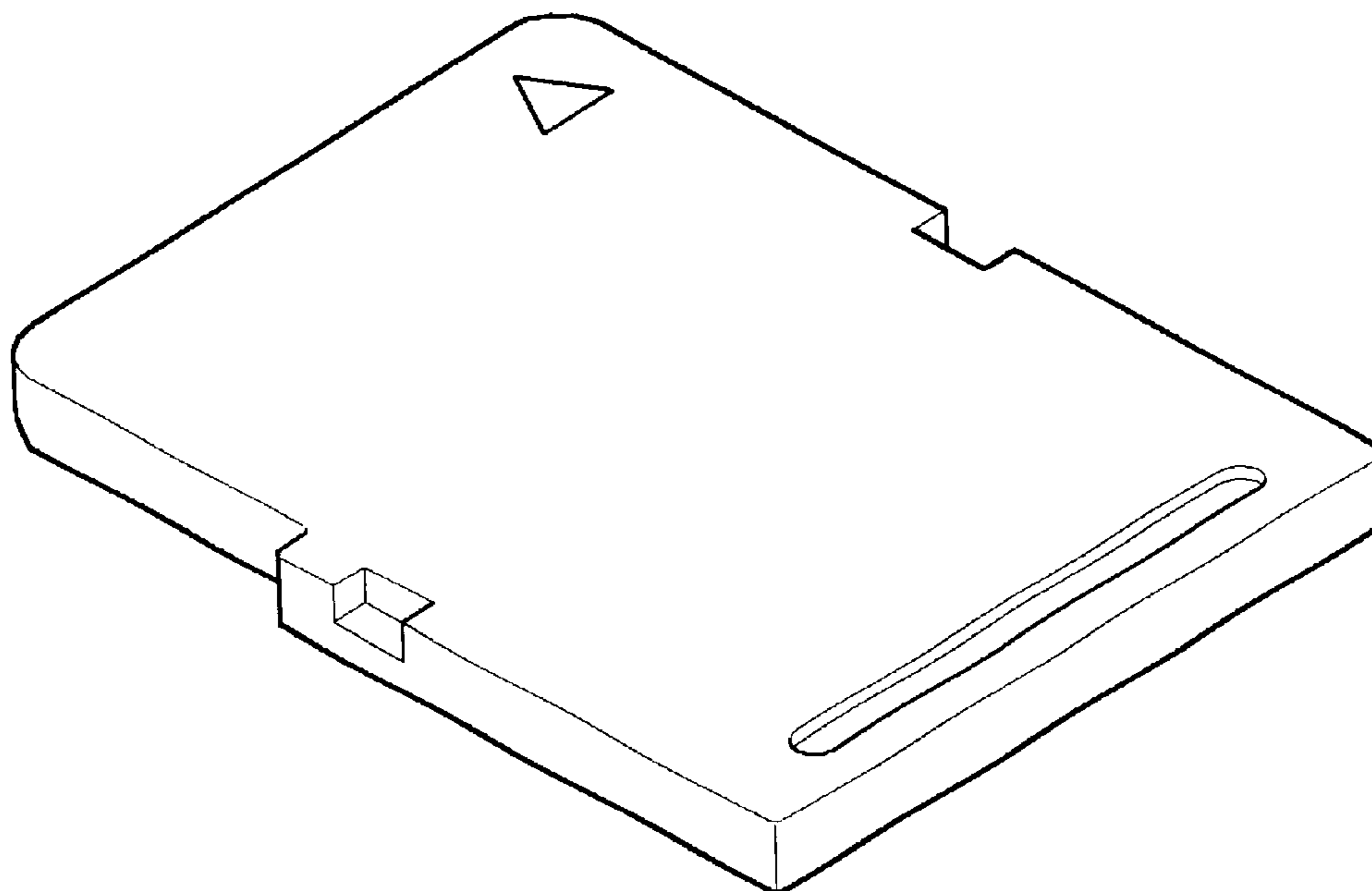
(57) **CLAIM**

The ornamental design for an electrical flash memory card, as shown.

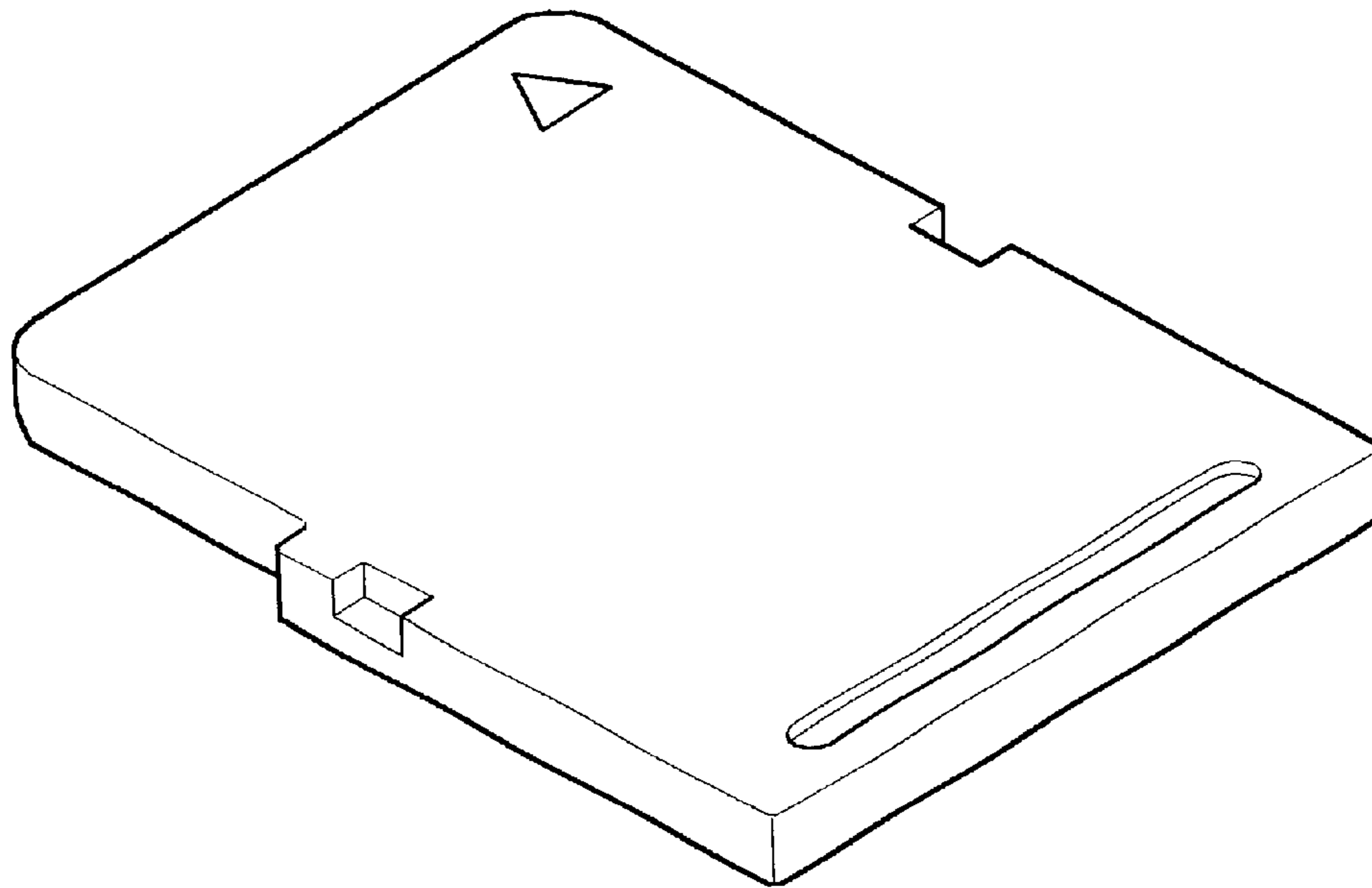
DESCRIPTION

FIG. 1 is a perspective view of the ornamental design of the present invention;
 FIG. 2 is a front elevational view of the ornamental design of the present invention;
 FIG. 3 is a rear elevational view of the ornamental design of the present invention;
 FIG. 4 is a left side elevational view of the ornamental design of the present invention;
 FIG. 5 is a right side elevational view of the ornamental design of the present invention;
 FIG. 6 is a top plan view of the ornamental design of the present invention; and,
 FIG. 7 is a bottom view of the ornamental design of the present invention.

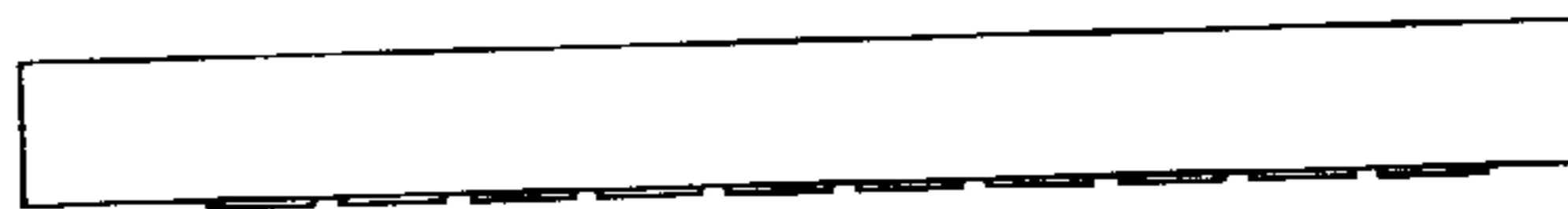
1 Claim, 3 Drawing Sheets



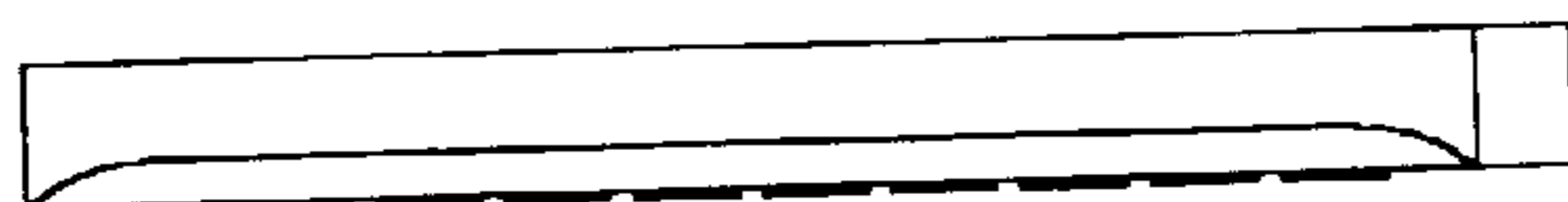
【Fig. 1】



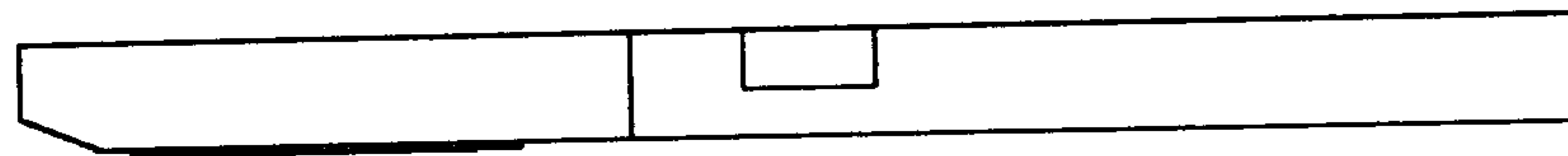
【Fig. 2】



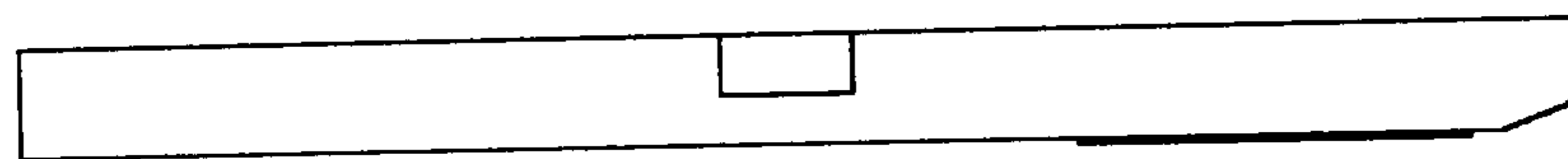
【Fig. 3】



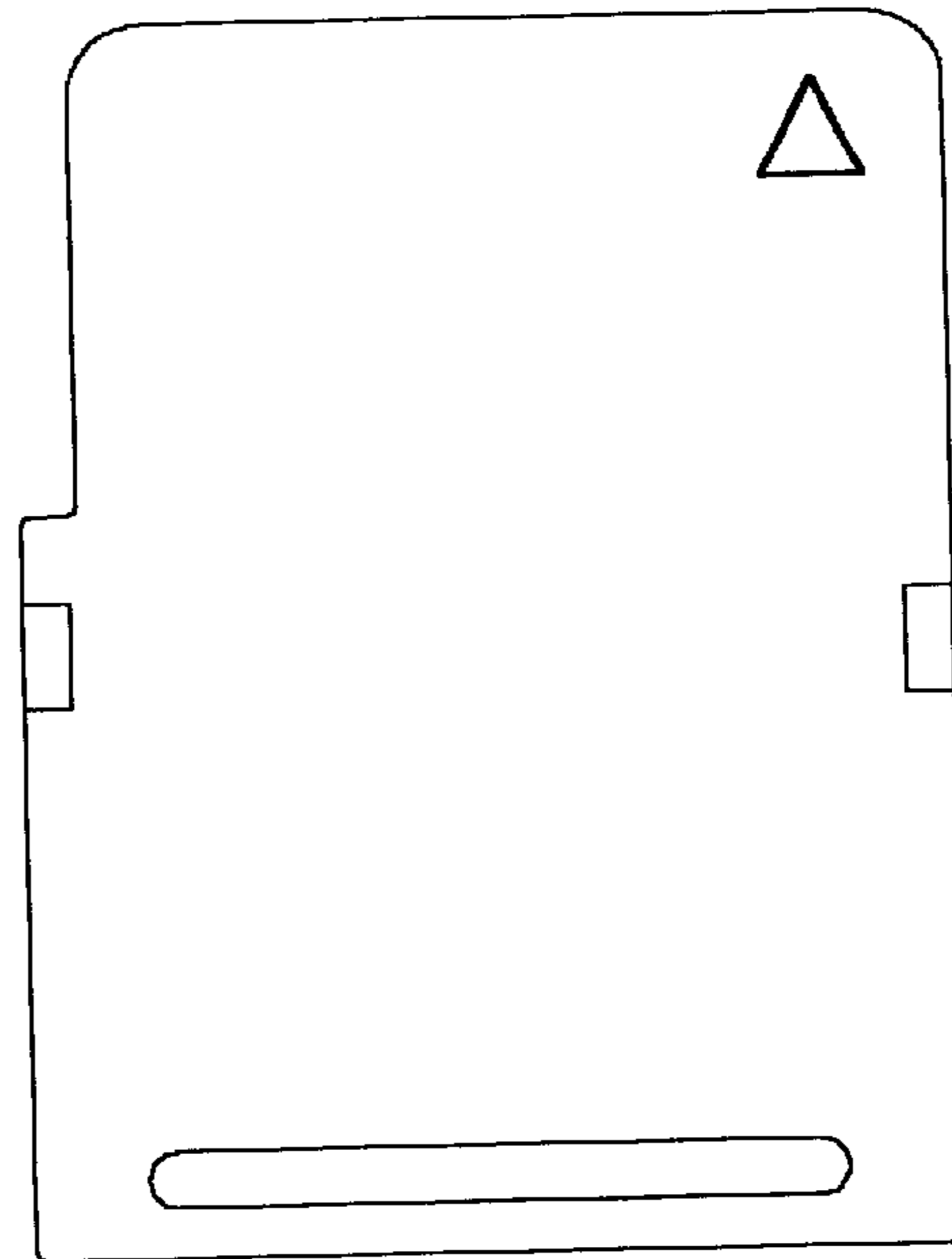
【Fig. 4】



【Fig. 5】



【Fig. 6】



【Fig. 7】

