



US00D516063S

(12) **United States Design Patent**
Lai et al.

(10) **Patent No.:** **US D516,063 S**
(45) **Date of Patent:** **** Feb. 28, 2006**

(54) **ANTENNA**

(76) Inventors: **Yi Chang Lai**, No. 5, Donyuan 2nd Road, Chongli Gonyeh Chu, Chongli, Tauyuan Hsien (TW), 320; **I Tao Chen**, No. 5, Donyuan 2nd Road, Chongli Gonyeh Chu, Chongli, Tauyuan Hsien (TW), 320; **Huei Chi Wu**, No. 5, Donyuan 2nd Road, Chongli Gonyeh Chu, Chongli, Tauyuan Hsien (TW), 320

(**) **Term:** **14 Years**

(21) **Appl. No.:** **29/213,111**

(22) **Filed:** **Sep. 14, 2004**

(51) **LOC (8) Cl.** **14-03**

(52) **U.S. Cl.** **D14/234**

(58) **Field of Classification Search** D14/137, D14/138, 230-238, 299, 358; D12/42, 43; 343/700 R-705, 871-908, 795, 840, 711-713, 343/819, 846; 455/90.2, 90.3, 91, 128, 269, 455/344, 347, 562.1

See application file for complete search history.

(56) **References Cited**

U.S. PATENT DOCUMENTS

1,525,701 A * 2/1925 Rose et al. 211/196

2,642,754 A * 6/1953 De Conti 52/114
D185,905 S * 8/1959 Gertz D14/232
D288,443 S * 2/1987 Carr D14/233
D288,927 S * 3/1987 Imazeki D14/233

* cited by examiner

Primary Examiner—Louis S. Zarfaz
Assistant Examiner—John Windmuller
(74) *Attorney, Agent, or Firm*—Charles E. Baxley

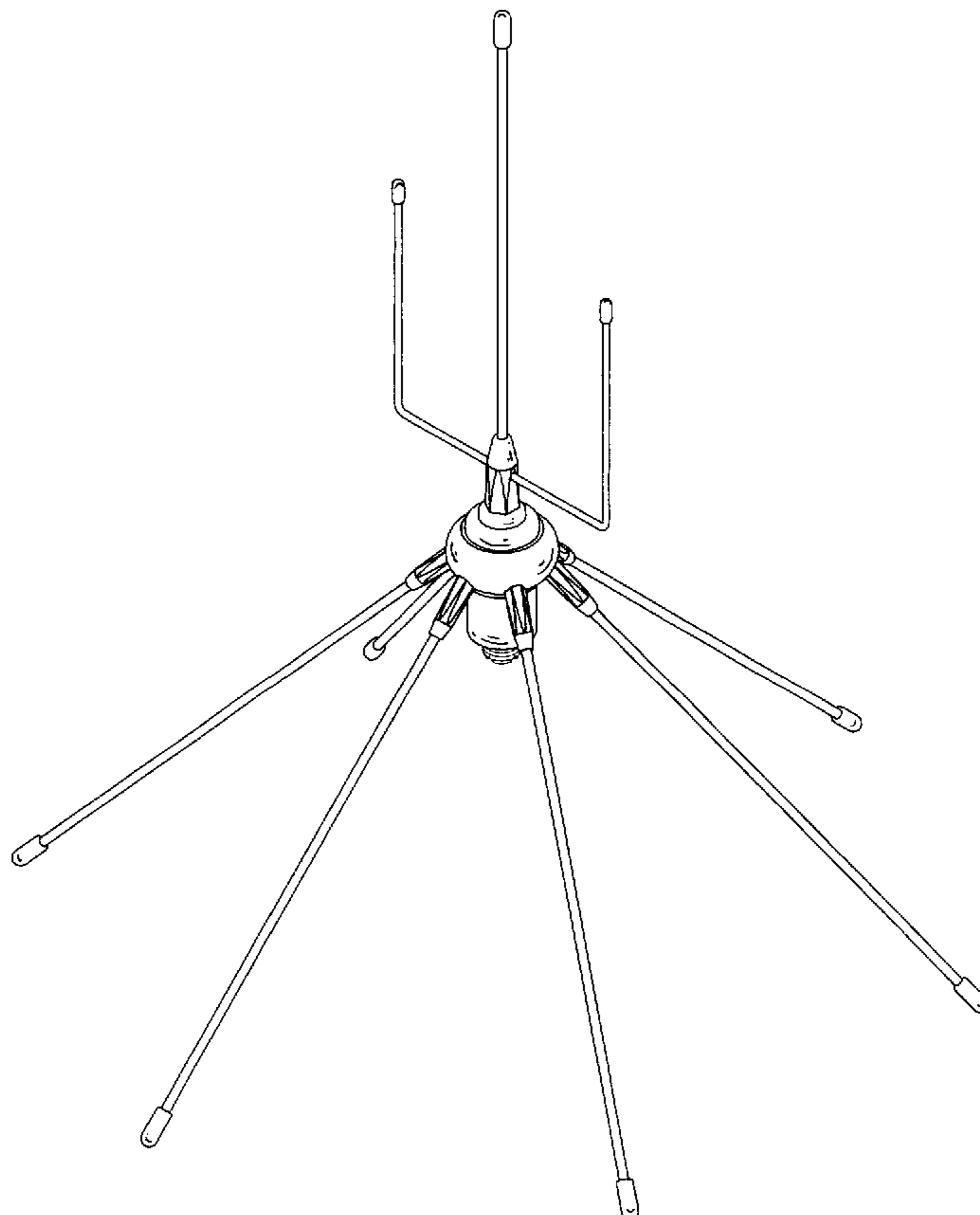
(57) **CLAIM**

The ornamental design for an antenna, as shown and described.

DESCRIPTION

FIG. 1 is an upper perspective view of an antenna showing my new design;
FIG. 2 is a front elevational view thereof;
FIG. 3 is a rear elevational view thereof;
FIG. 4 is a top plan view thereof;
FIG. 5 is a bottom plan view thereof;
FIG. 6 is a left side elevational view thereof; and,
FIG. 7 is a right side elevational view thereof.

1 Claim, 7 Drawing Sheets



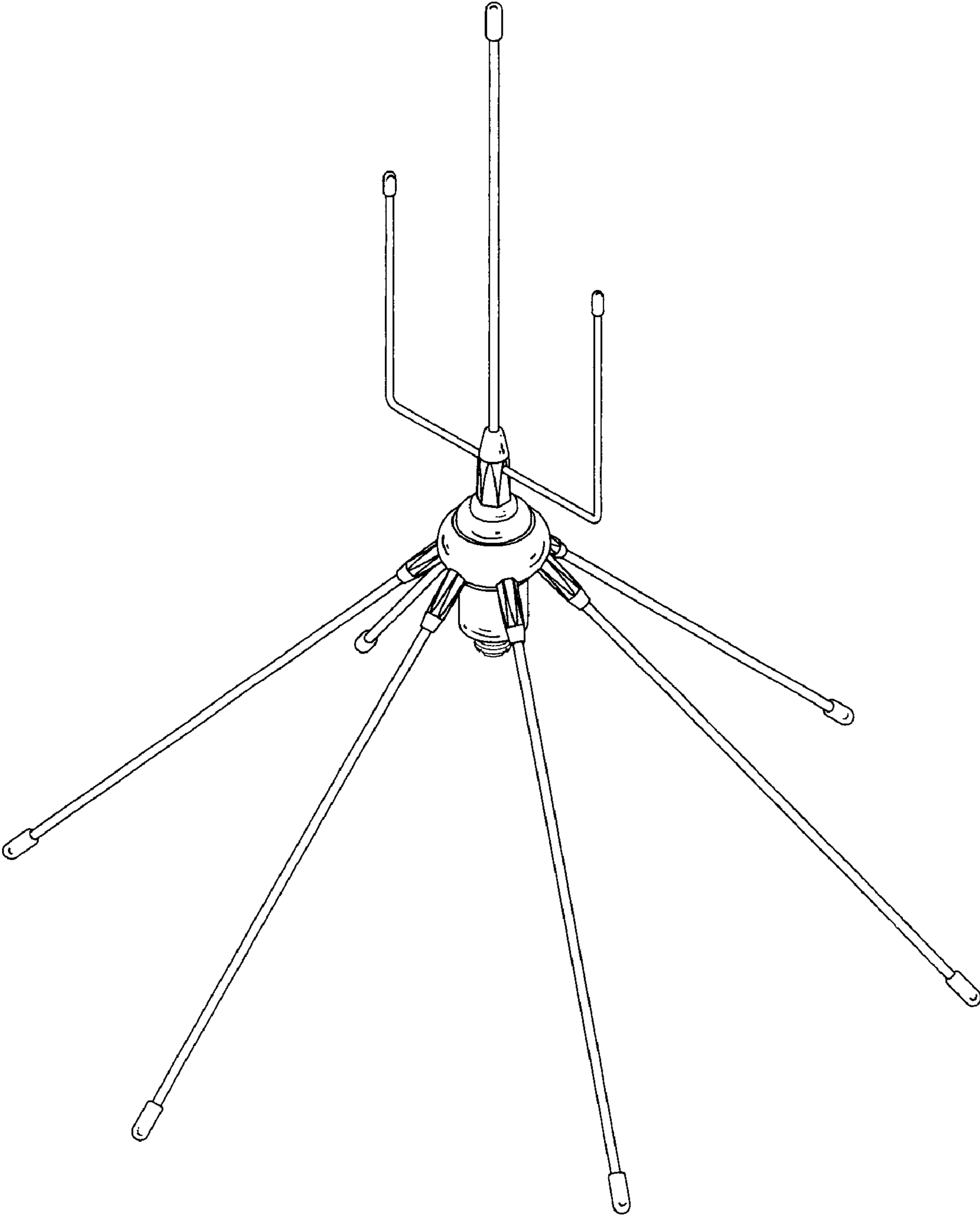


FIG. 1

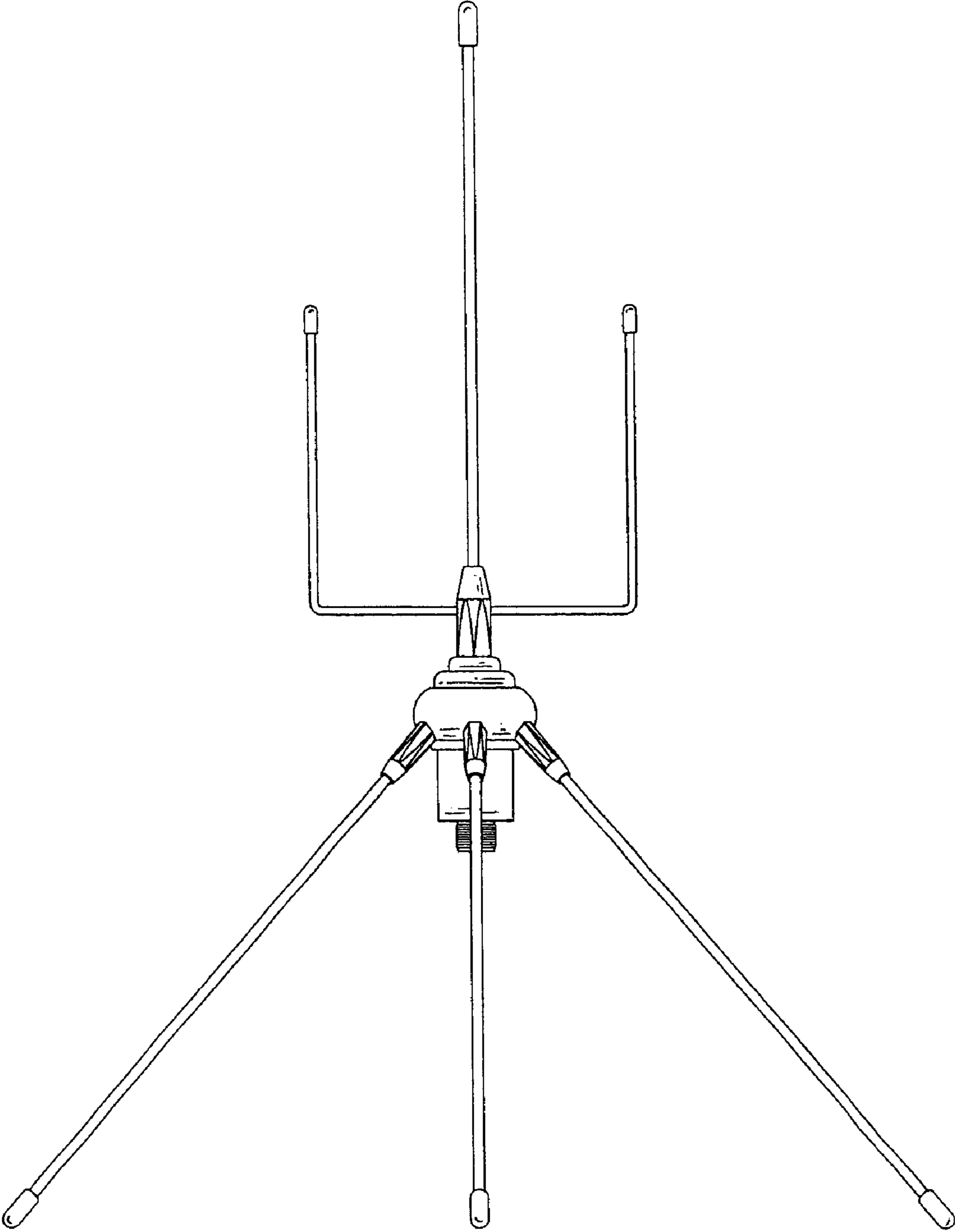


FIG. 2

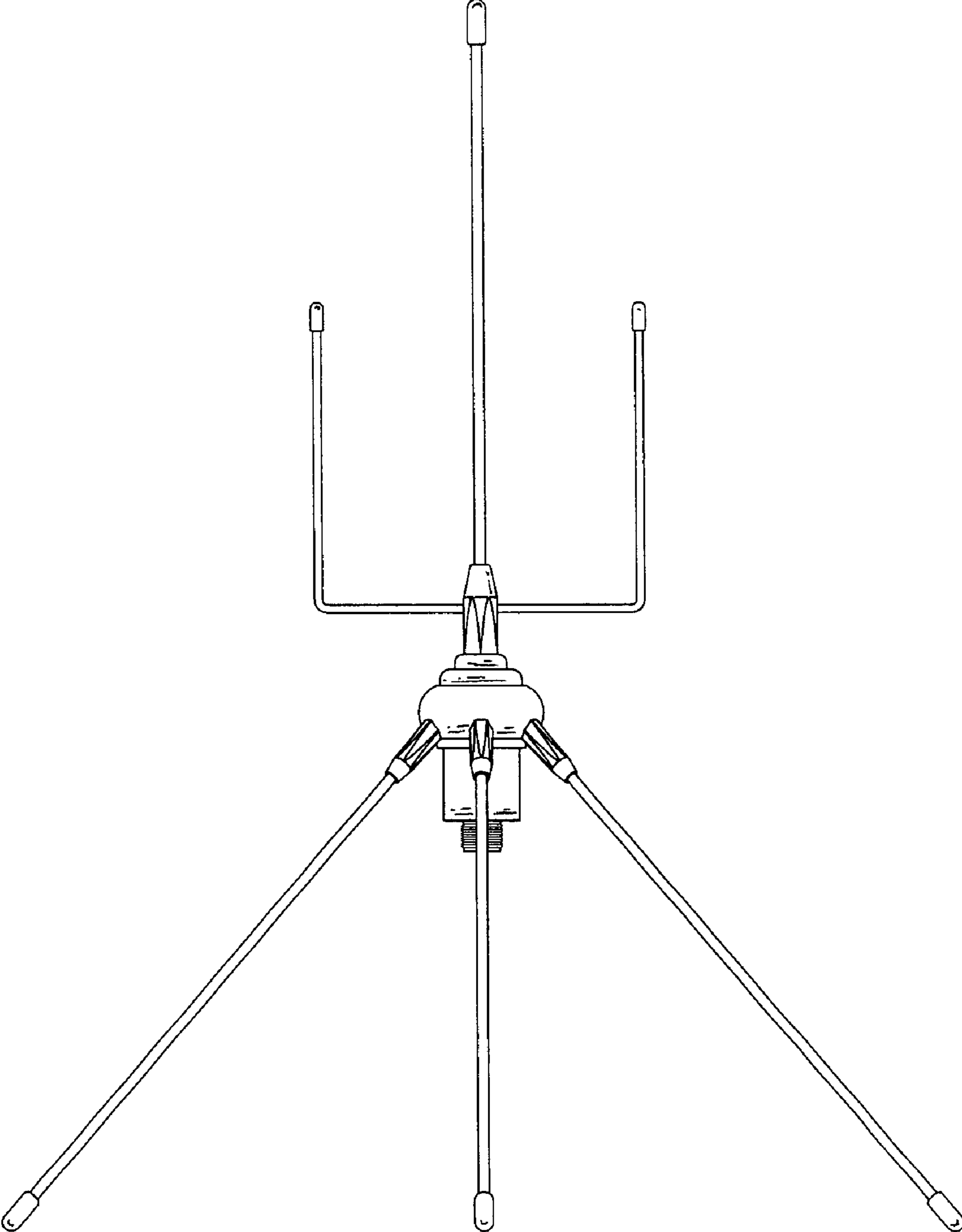


FIG. 3

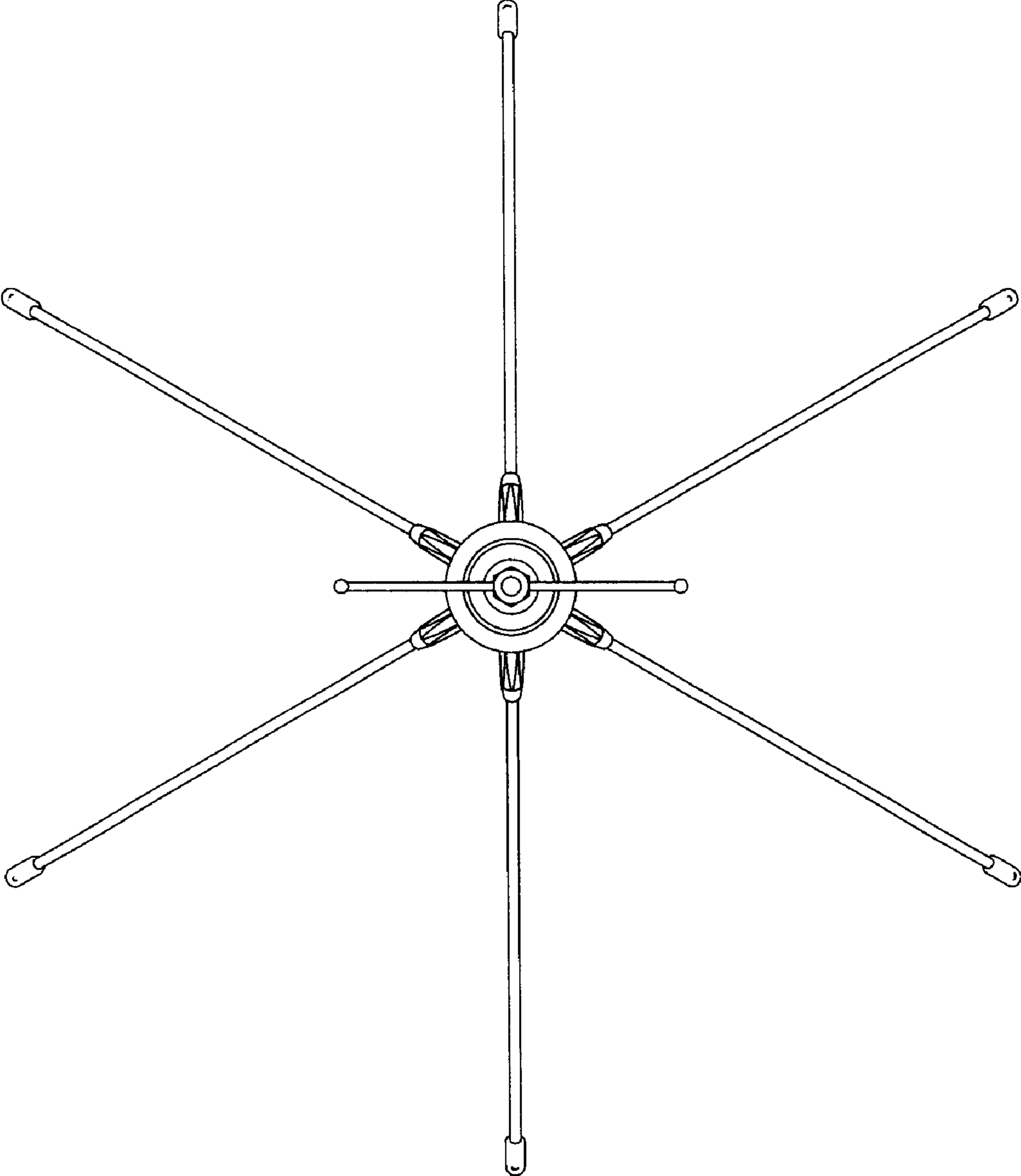


FIG. 4

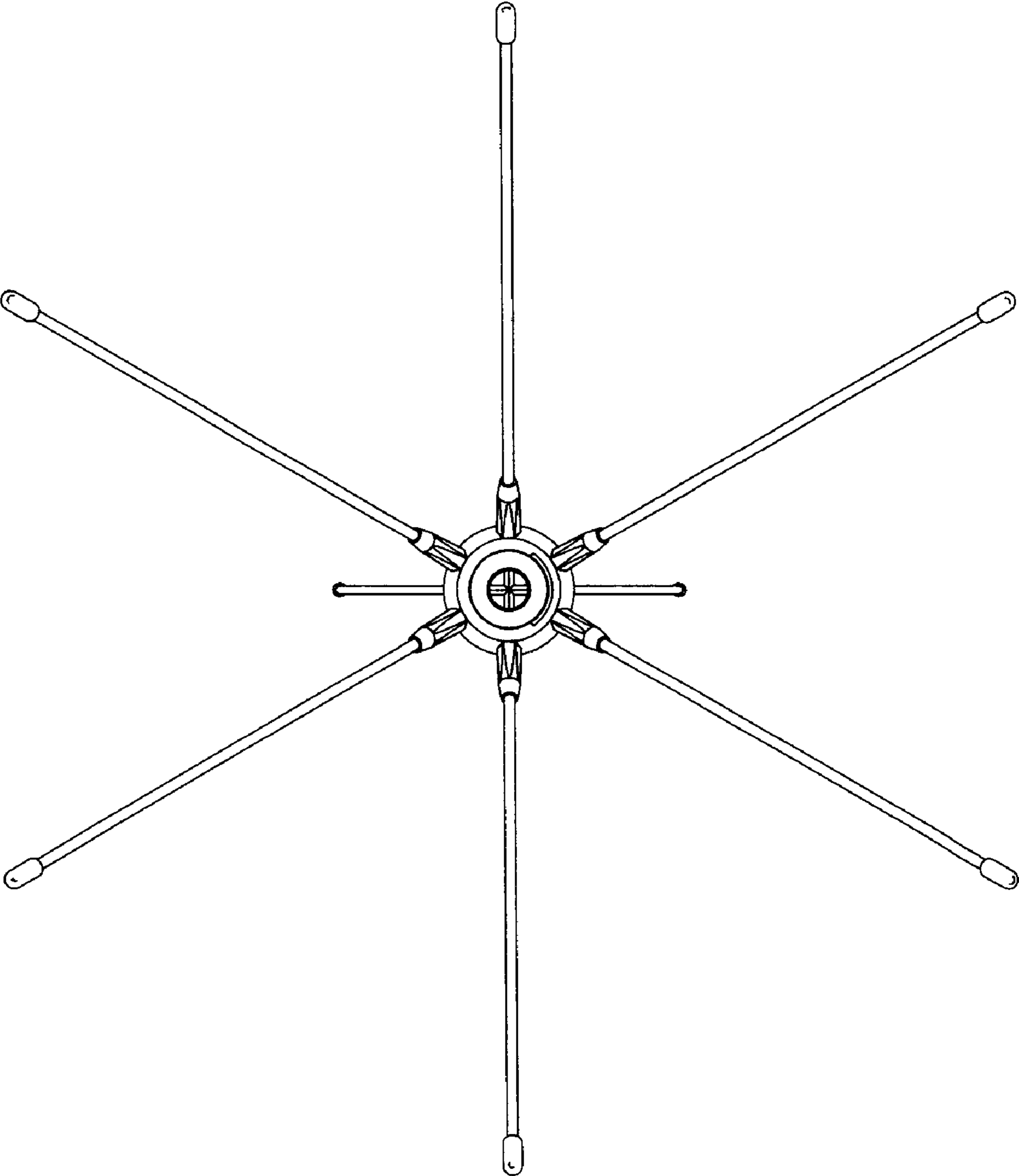


FIG. 5

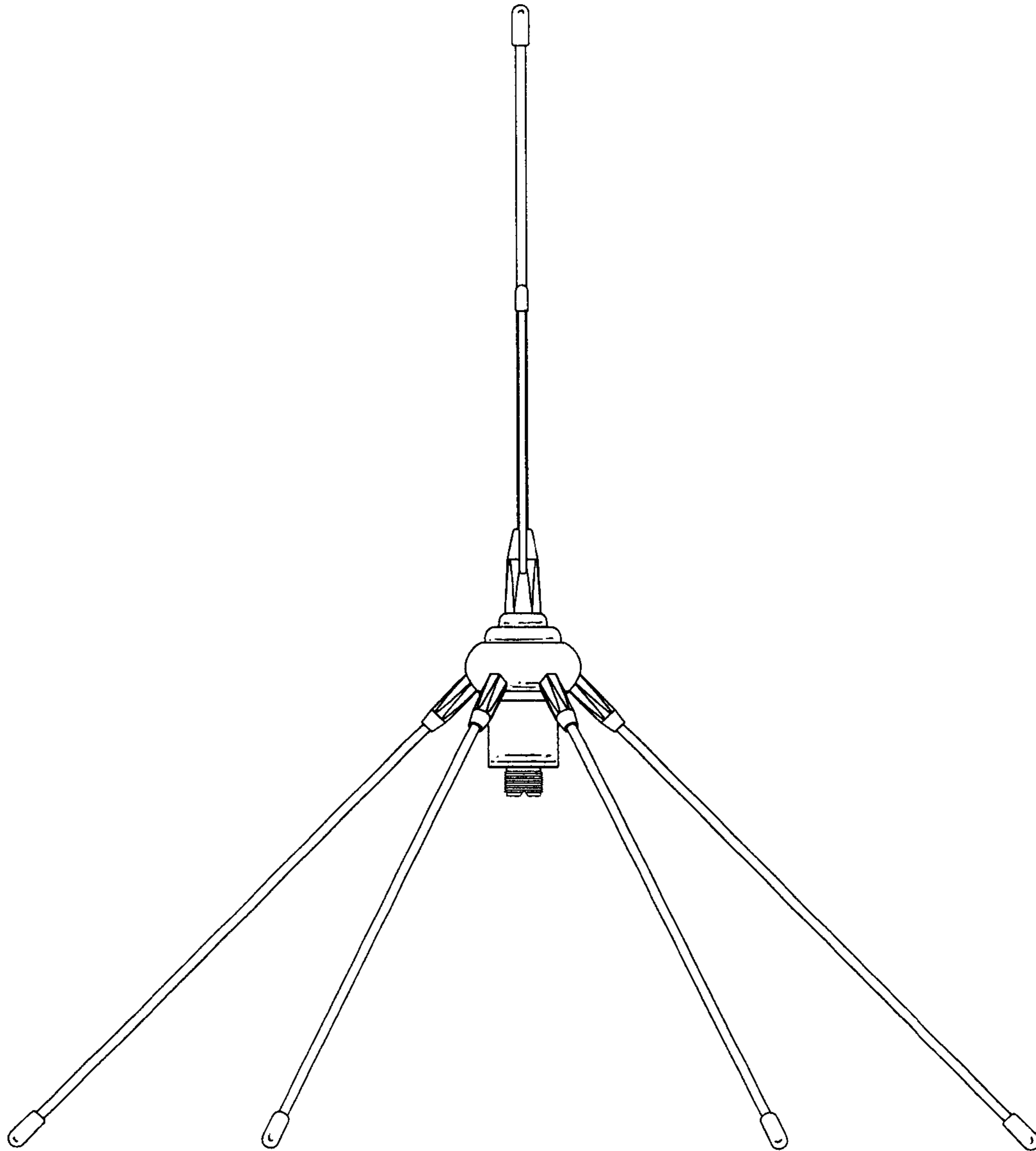


FIG. 6

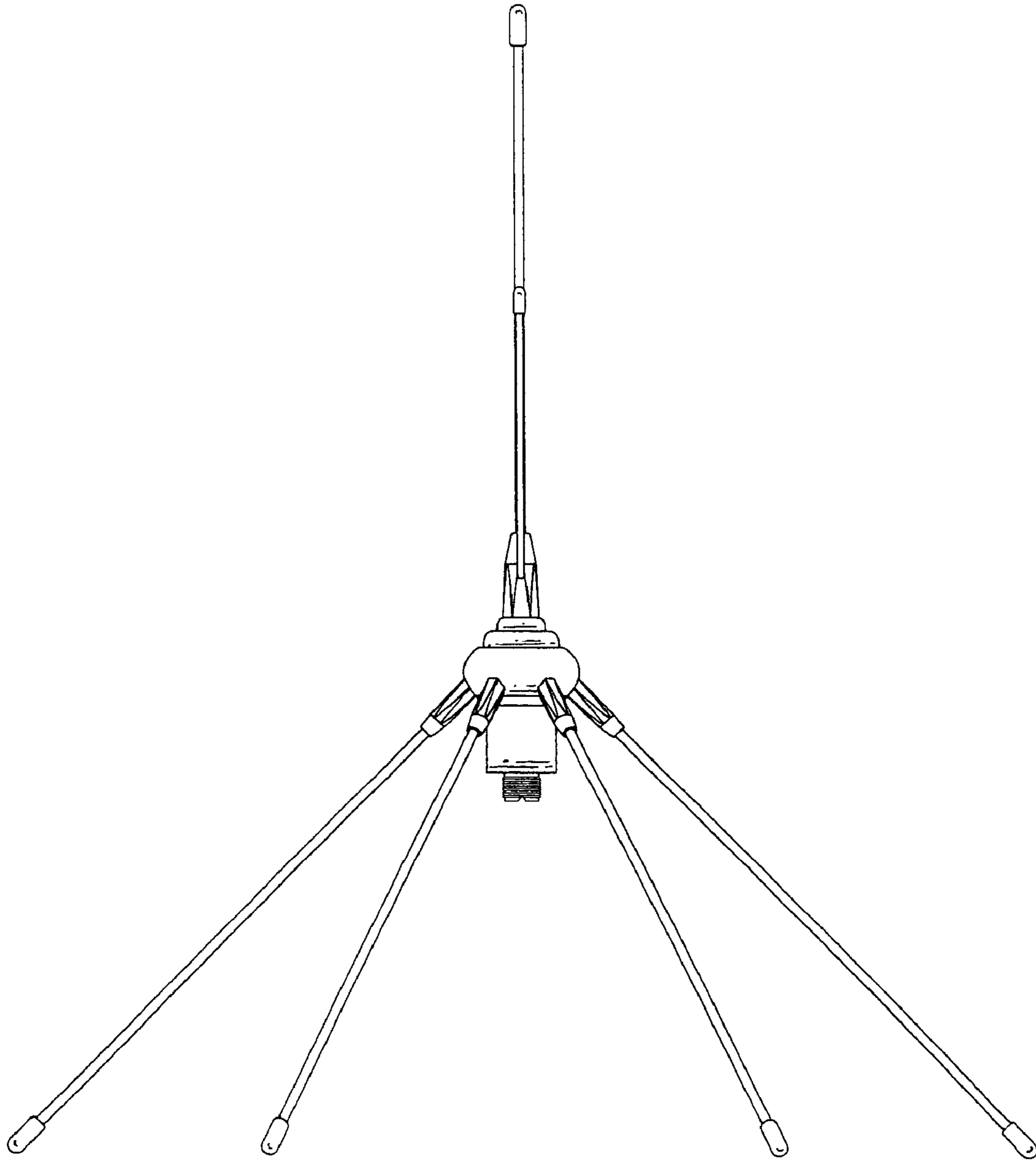


FIG. 7