



US00D516061S

(12) **United States Design Patent**  
**Wang**

(10) **Patent No.:** **US D516,061 S**

(45) **Date of Patent:** **\*\* Feb. 28, 2006**

(54) **INDOOR ANTENNA**

D483,746 S \* 12/2003 Hyogo ..... D14/240  
D489,369 S \* 5/2004 Sasaki ..... D14/358

(75) Inventor: **Cheng-Si Wang, Hua Tan Hsiang (TW)**

\* cited by examiner

(73) Assignee: **Trans Electric Co., Ltd., Changhua Hsien (TW)**

*Primary Examiner*—Louis S. Zarfaz

*Assistant Examiner*—John Windmuller

(\*\*) Term: **14 Years**

(74) *Attorney, Agent, or Firm*—Dellett & Walters

(21) Appl. No.: **29/220,669**

(57) **CLAIM**

(22) Filed: **Jan. 3, 2005**

The ornamental design for an indoor antenna, as shown and described.

(51) **LOC (8) Cl.** ..... **14-03**

**DESCRIPTION**

(52) **U.S. Cl.** ..... **D14/230; D14/235**

(58) **Field of Classification Search** ..... D14/137,  
D14/138, 230–238, 299, 358; D12/42, 43;  
343/700 R–705, 871–908, 795, 840, 711–713,  
343/819, 846; 455/90.2, 90.3, 91, 128, 269,  
455/344, 347, 562.1

FIG. 1 is a front perspective view of an indoor antenna showing my new design;

FIG. 2 is a front elevational view thereof;

FIG. 3 is a rear elevational view thereof;

FIG. 4 is a left side elevational view thereof;

FIG. 5 is a right side elevational view thereof;

FIG. 6 is a top plan view thereof;

FIG. 7 is a bottom plan view thereof;

FIG. 8 is a front perspective view thereof showing an alternate position of use; and,

FIG. 9 is a front perspective view thereof showing another alternate position of use.

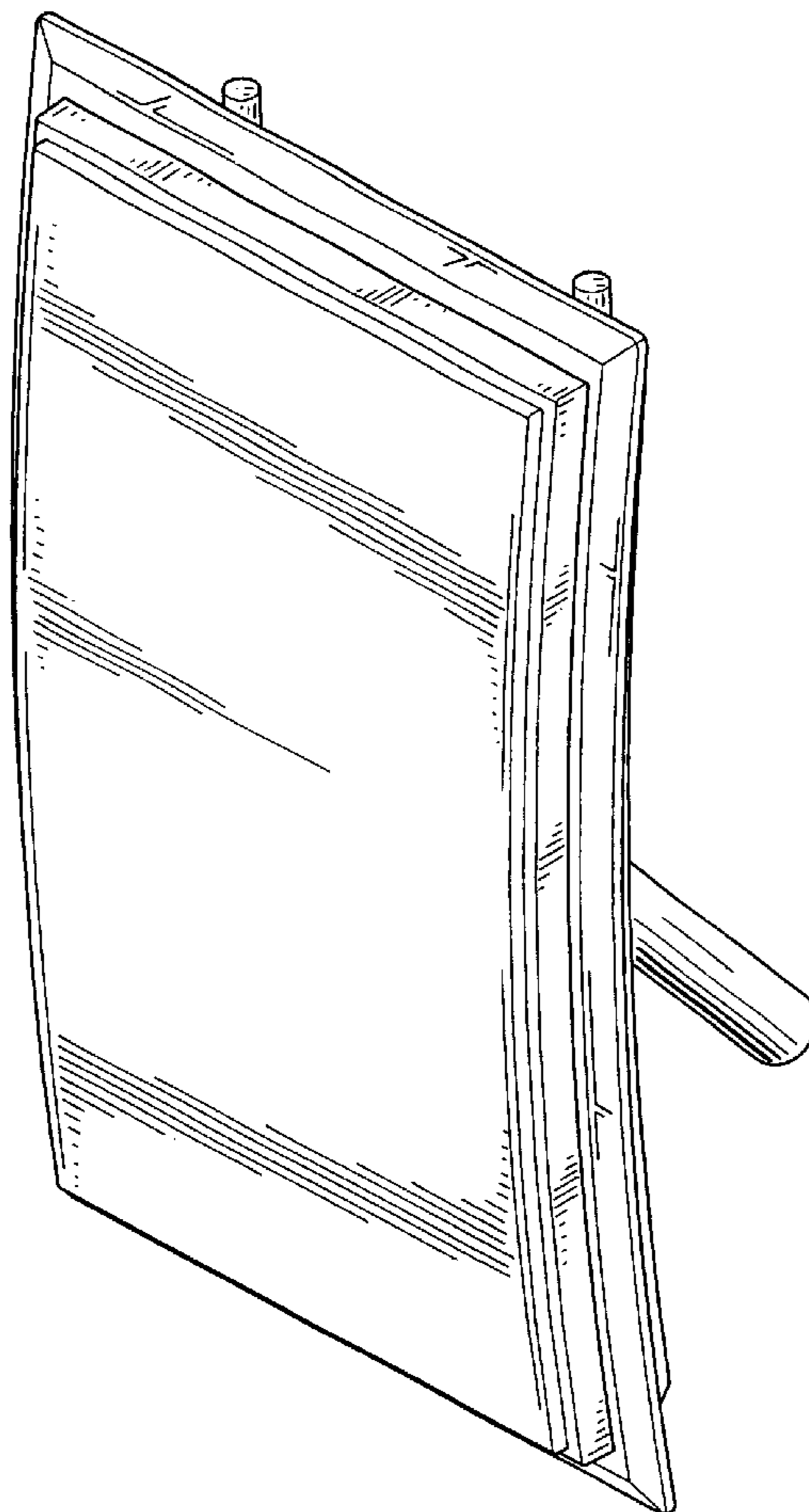
See application file for complete search history.

(56) **References Cited**

**U.S. PATENT DOCUMENTS**

D398,611 S \* 9/1998 Read ..... D14/230  
D415,133 S \* 10/1999 Mah ..... D14/432  
D455,419 S \* 4/2002 Inoue ..... D14/235

**1 Claim, 6 Drawing Sheets**



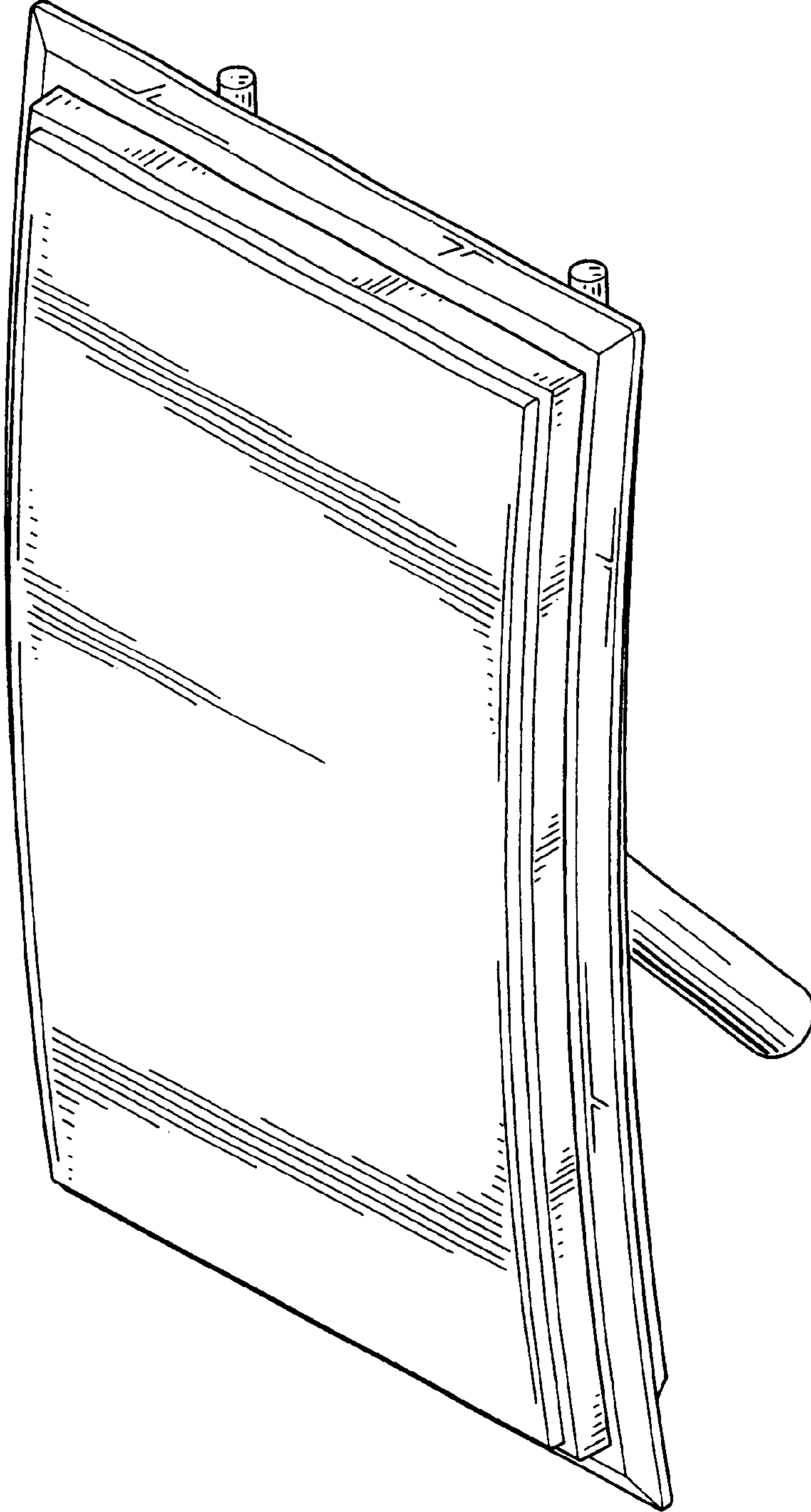


FIG .1

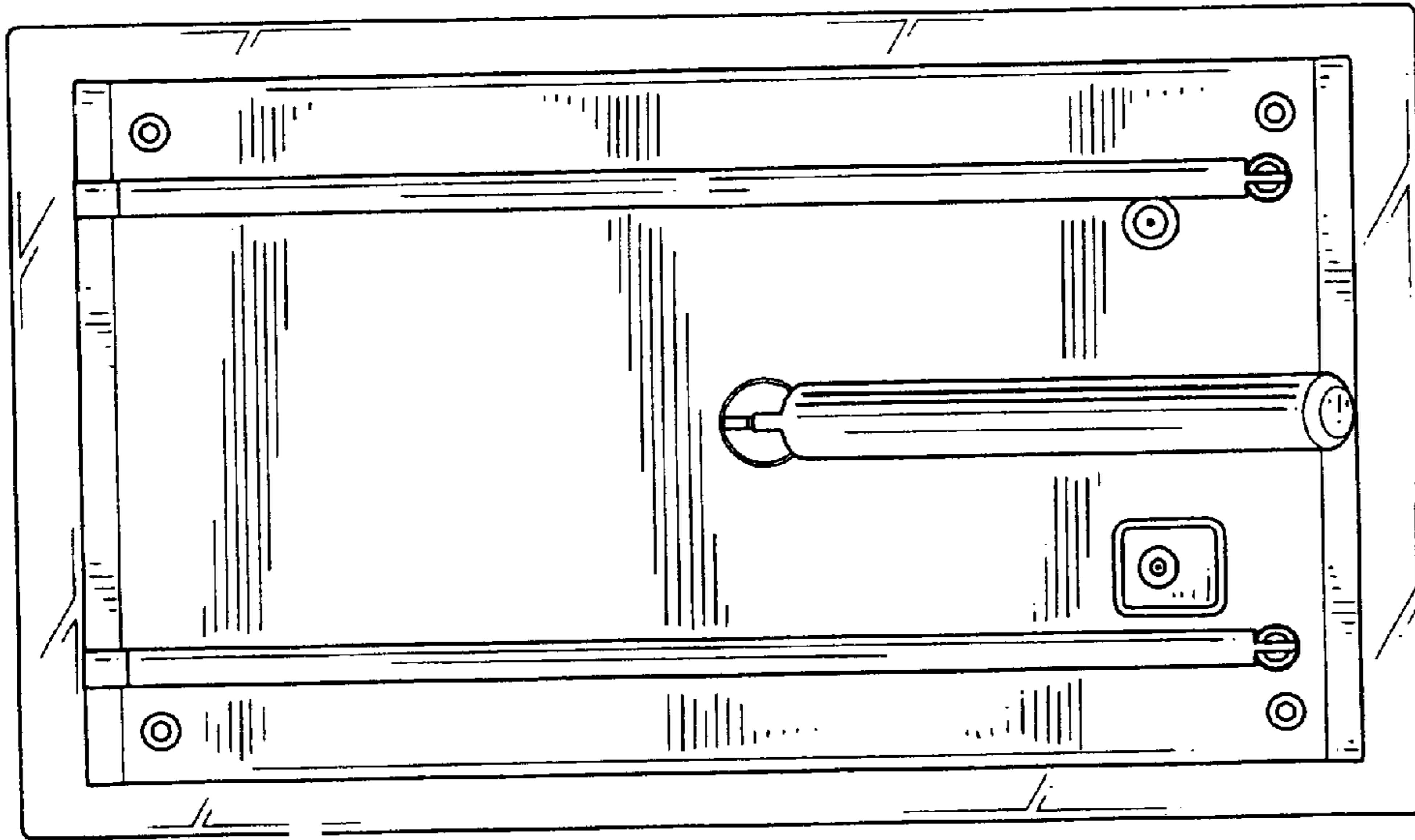


FIG. 3

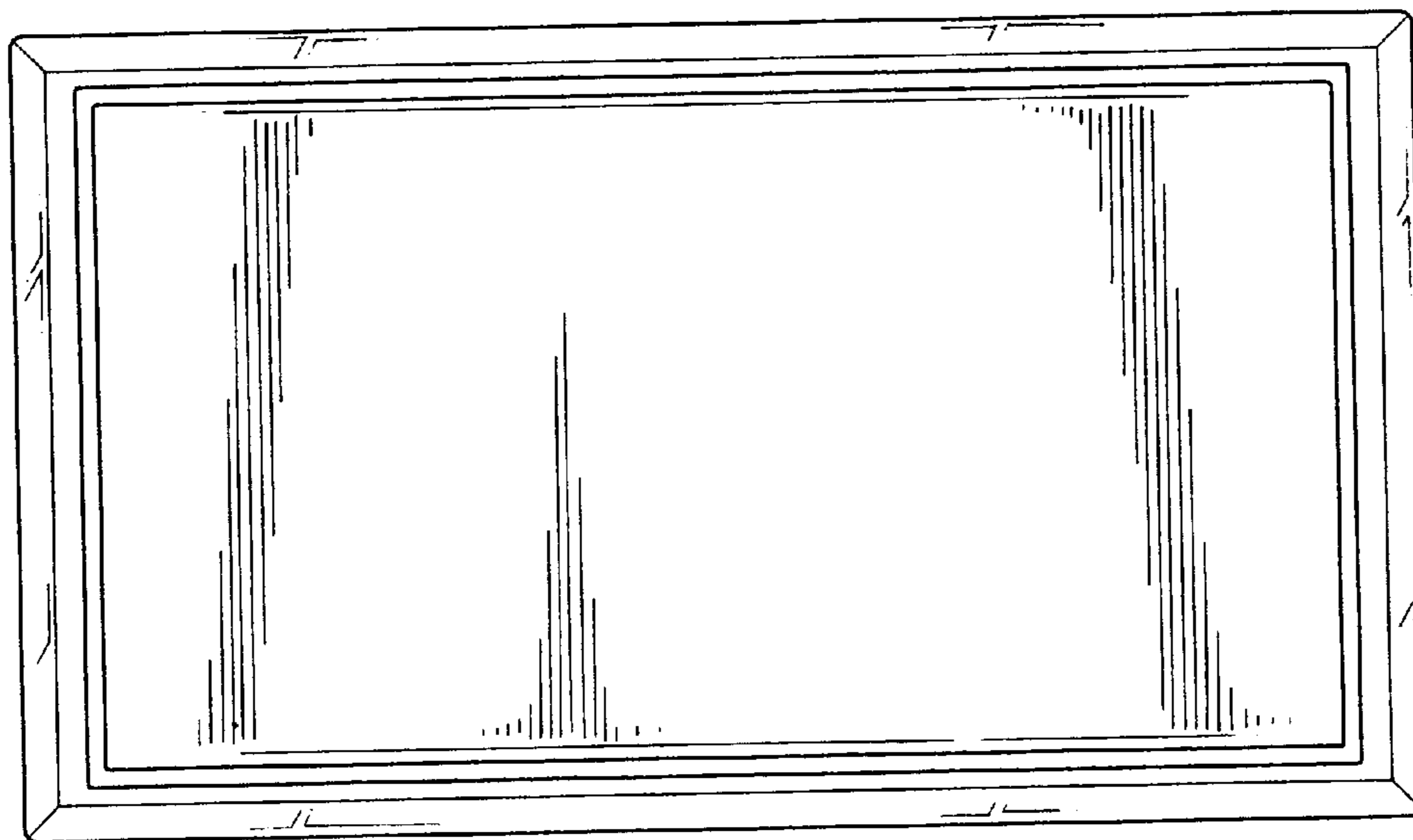


FIG. 2

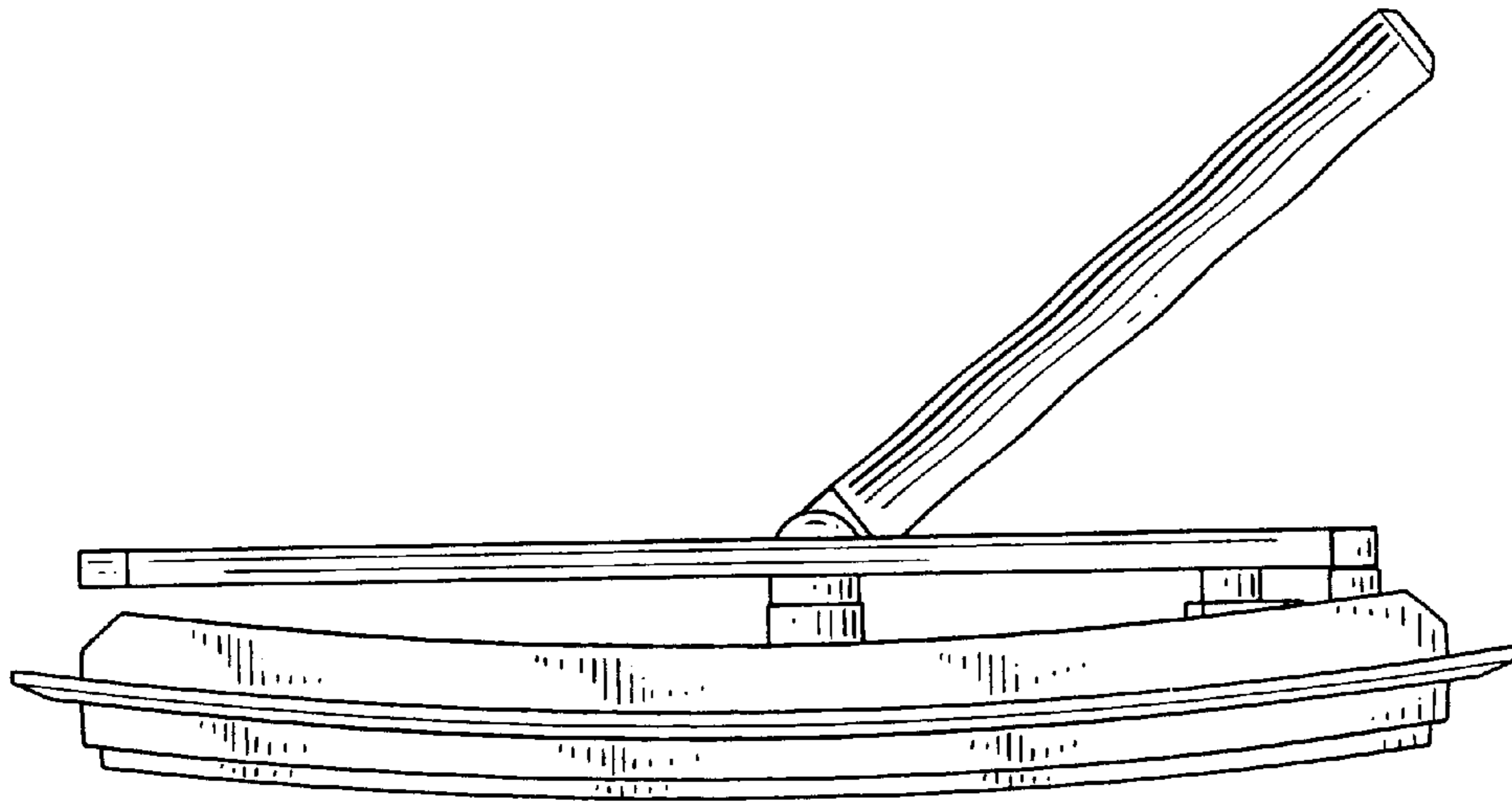


FIG. 5

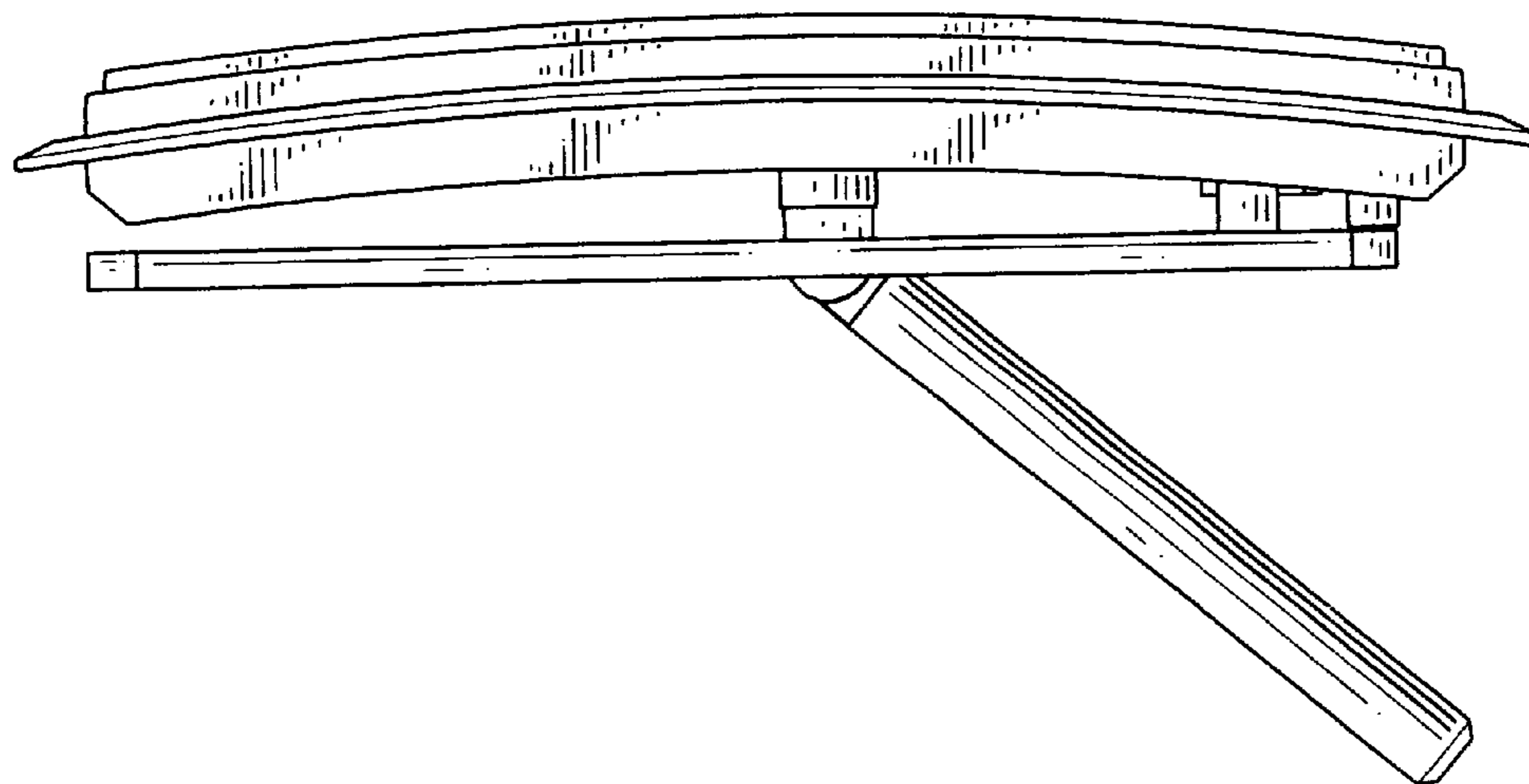


FIG. 4

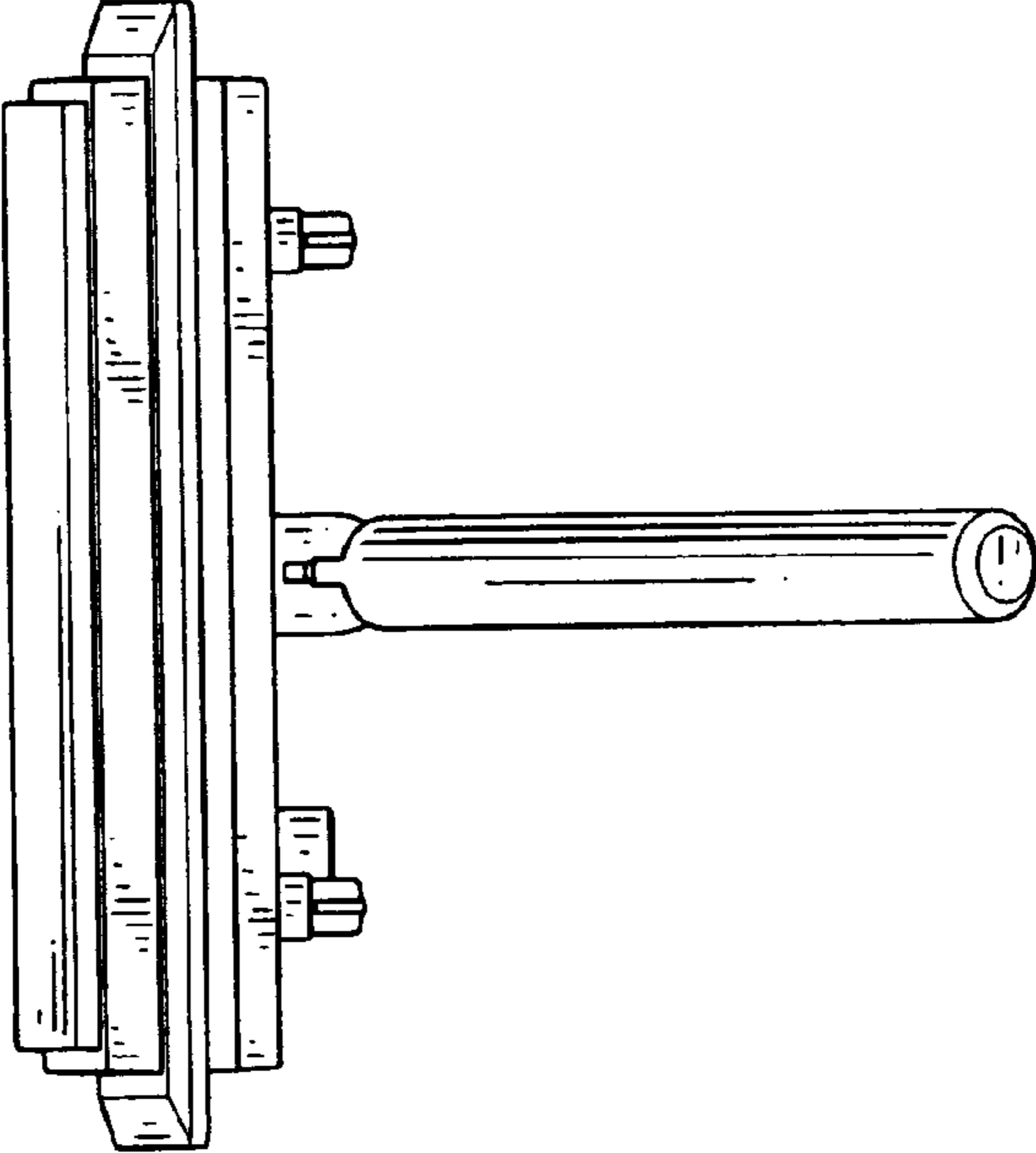


FIG. 7

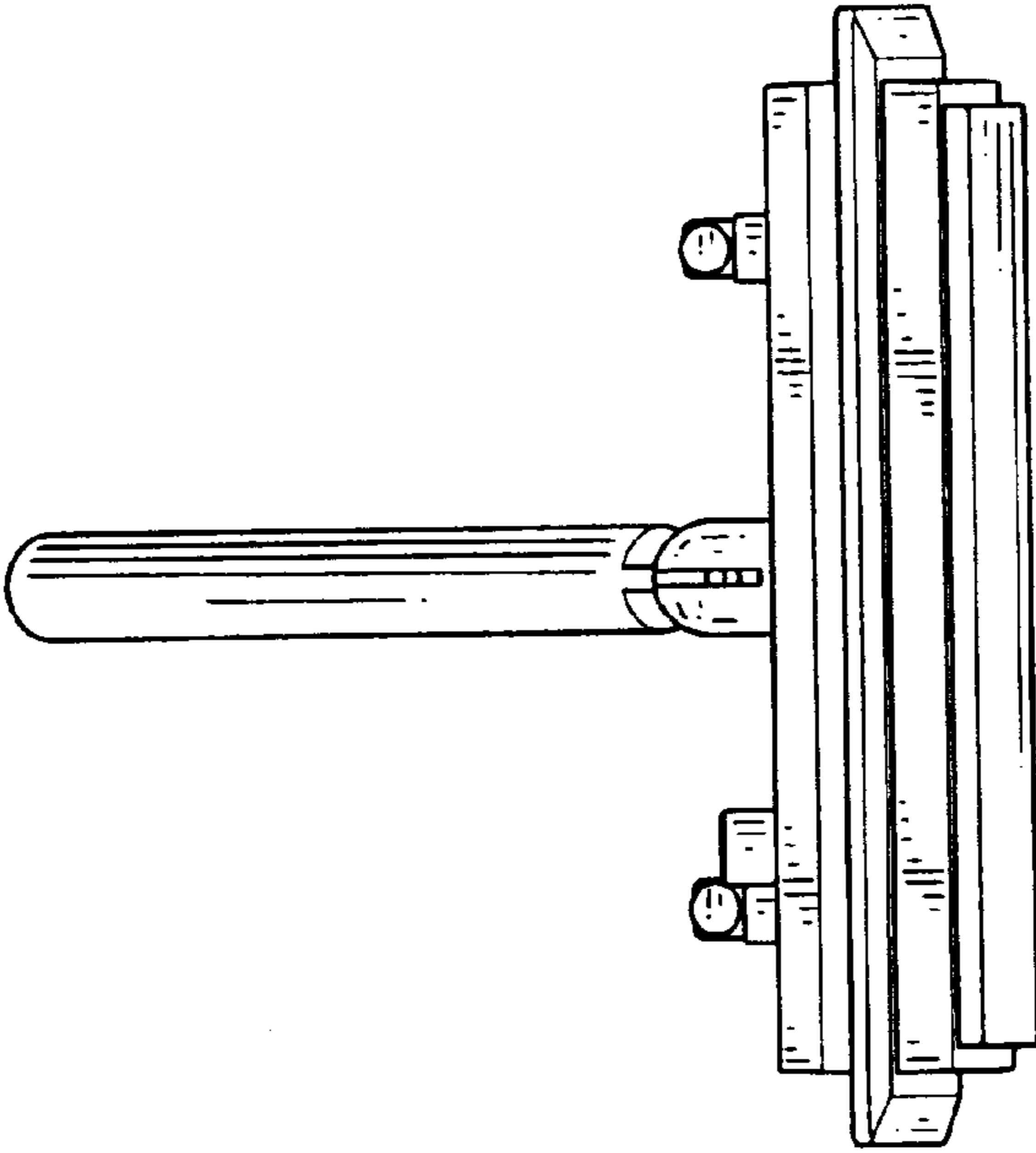


FIG. 6

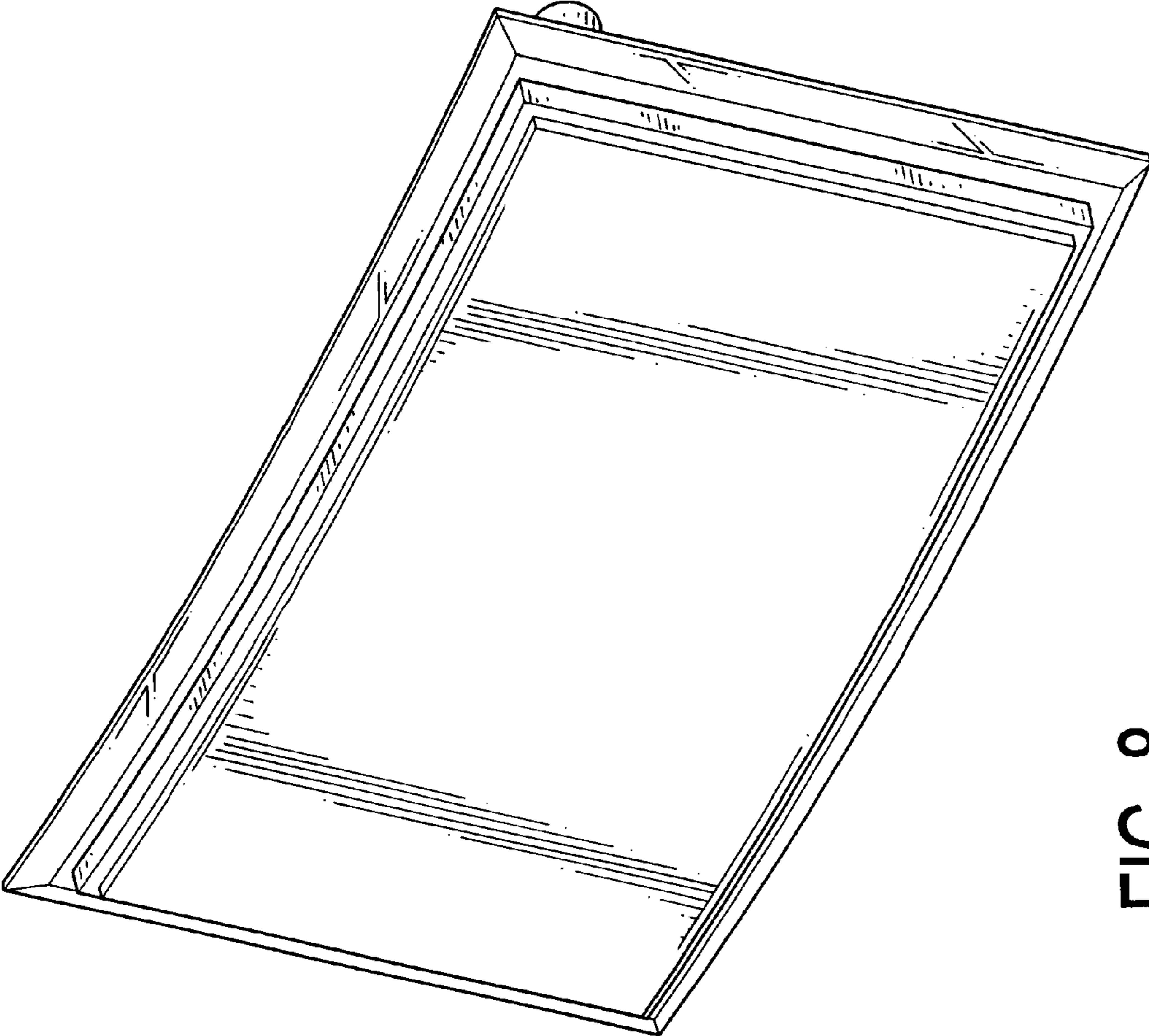


FIG. 8



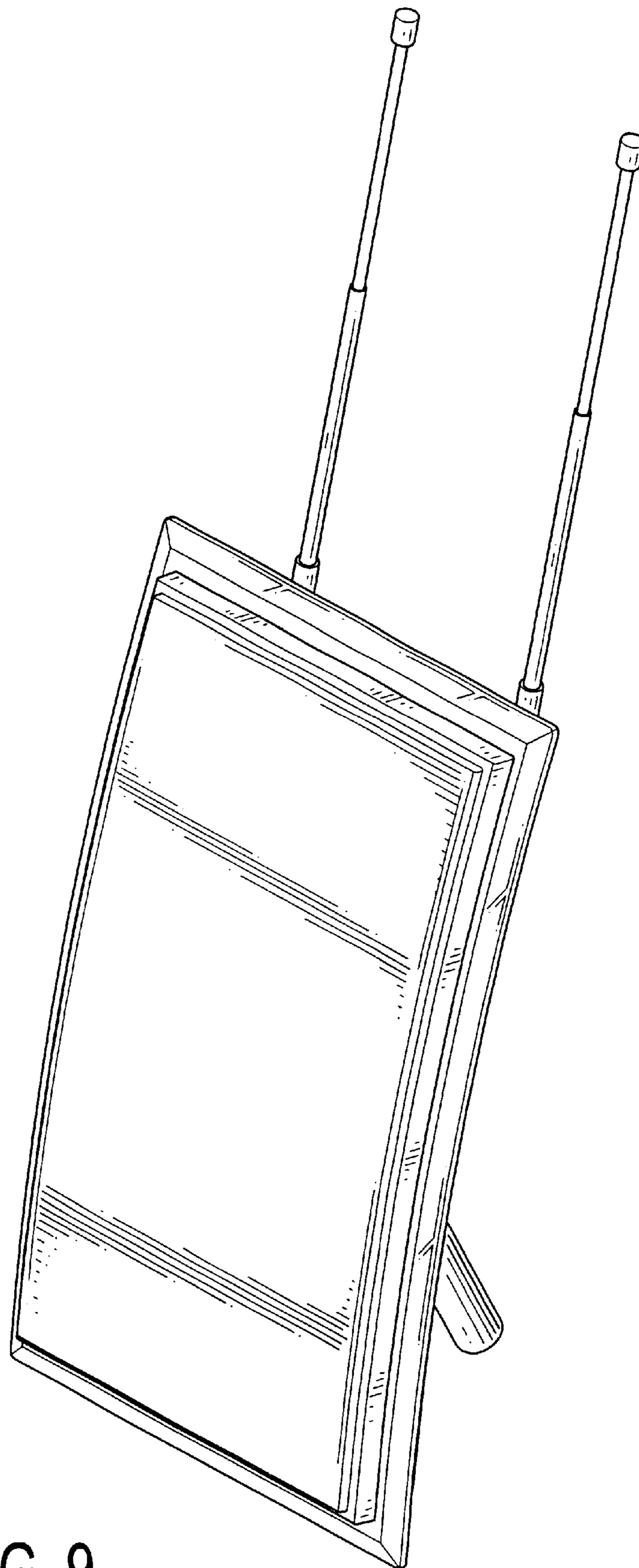


FIG. 9