



US00D516058S

(12) **United States Design Patent**
Garcia

(10) **Patent No.:** **US D516,058 S**

(45) **Date of Patent:** **** Feb. 28, 2006**

(54) **EARPHONE**

(75) **Inventor:** **Martin Garcia**, Pineville, PA (US)

(73) **Assignee:** **Future Sonics, Inc.**, Pineville, PA (US)

(**) **Term:** **14 Years**

(21) **Appl. No.:** **29/225,007**

(22) **Filed:** **Mar. 9, 2005**

(51) **LOC (8) Cl.** **14-01**

(52) **U.S. Cl.** **D14/205**; D14/206

(58) **Field of Classification Search** D14/192,
D14/205, 206, 223; 181/129-130, 135, 137;
379/430, 431, 444; 381/23.1, 25, 68, 68.6,
381/68.7, 69, 151, 158, 183, 187, 312, 322,
381/328, 338; D24/174

See application file for complete search history.

(56) **References Cited**

U.S. PATENT DOCUMENTS

4,588,867	A	*	5/1986	Konomi	379/430
4,602,642	A	*	7/1986	O'Hara et al.	600/474
4,720,857	A	*	1/1988	Burris et al.	379/430
4,972,492	A	*	11/1990	Tanaka et al.	381/380
D377,796	S	*	2/1997	Hayashi	D14/206
D397,796	S	*	9/1998	Yabe et al.	D24/174

5,844,984	A	*	12/1998	Yamaguchi et al.	379/430
5,991,652	A	*	11/1999	Barthelemy et al.	600/474
D431,553	S	*	10/2000	Suzuki	D14/223
D455,835	S	*	4/2002	Anderson et al.	D24/174
6,574,345	B1	*	6/2003	Huang	381/380

* cited by examiner

Primary Examiner—Paula A. Greene

(74) *Attorney, Agent, or Firm*—Kenyon & Kenyon

(57) **CLAIM**

The ornamental design for an earphone, as shown and described.

DESCRIPTION

FIG. 1 is a perspective front view of an earphone showing my new design, the cord is drawn broken away for purposes of illustration;

FIG. 2 is a top view thereof;

FIG. 3 is a bottom view thereof;

FIG. 4 is a left view thereof;

FIG. 5 is a front elevational view thereof;

FIG. 6 is a right side elevational view thereof; and,

FIG. 7 is a rear elevational view thereof.

The broken lines are for illustrative purposes only and forms no part of the claimed design.

1 Claim, 2 Drawing Sheets

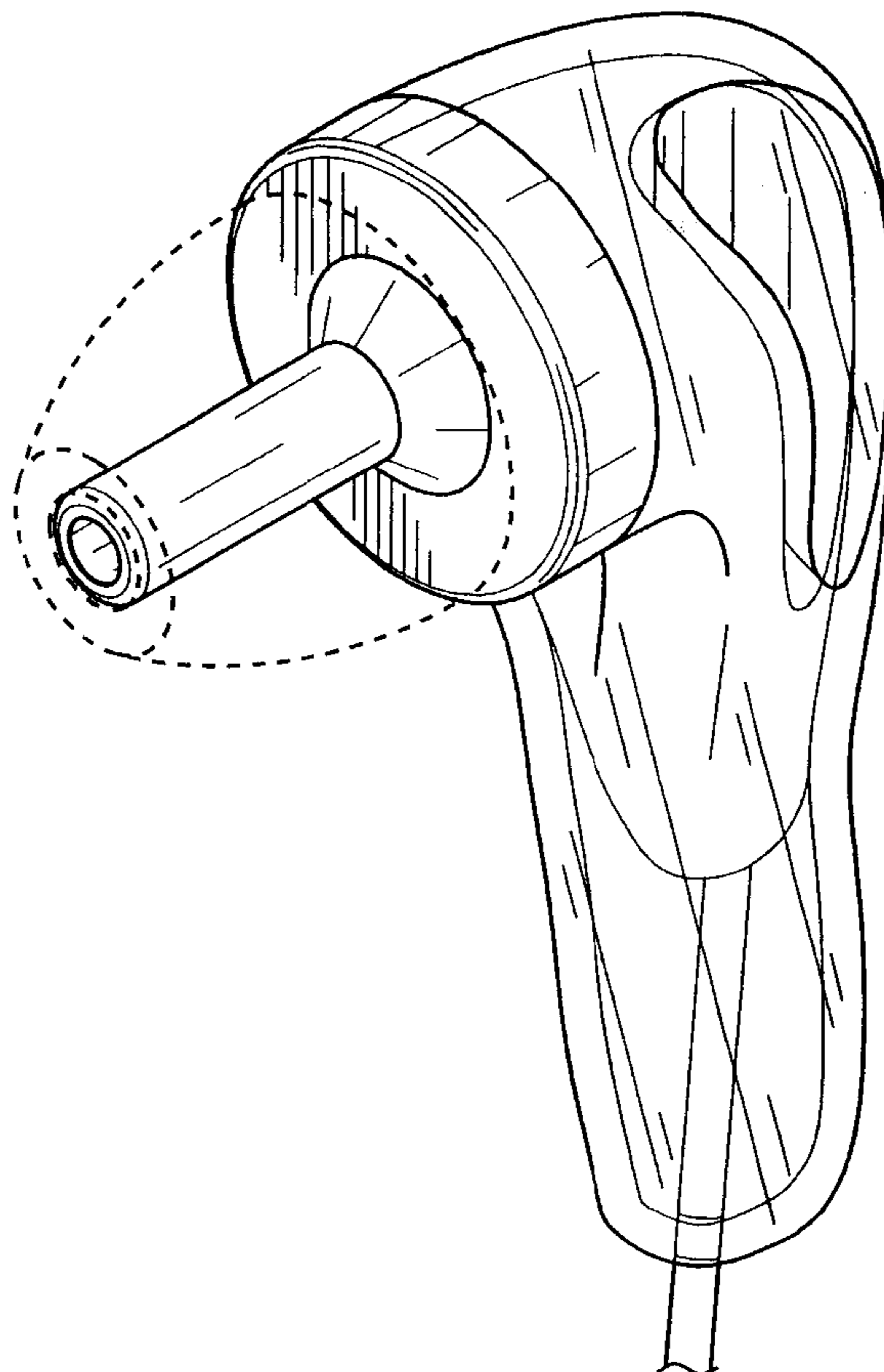


FIG. 1

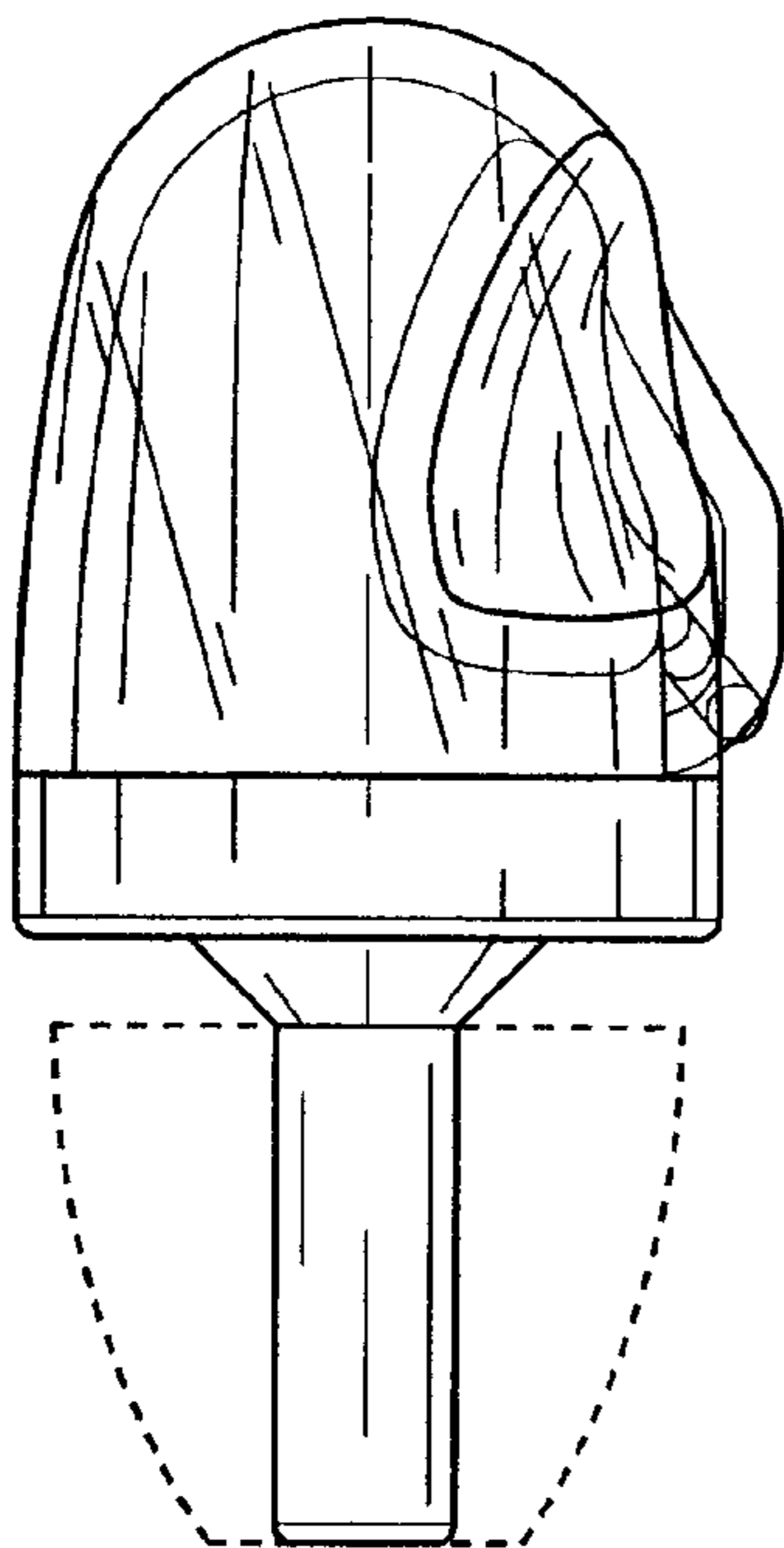
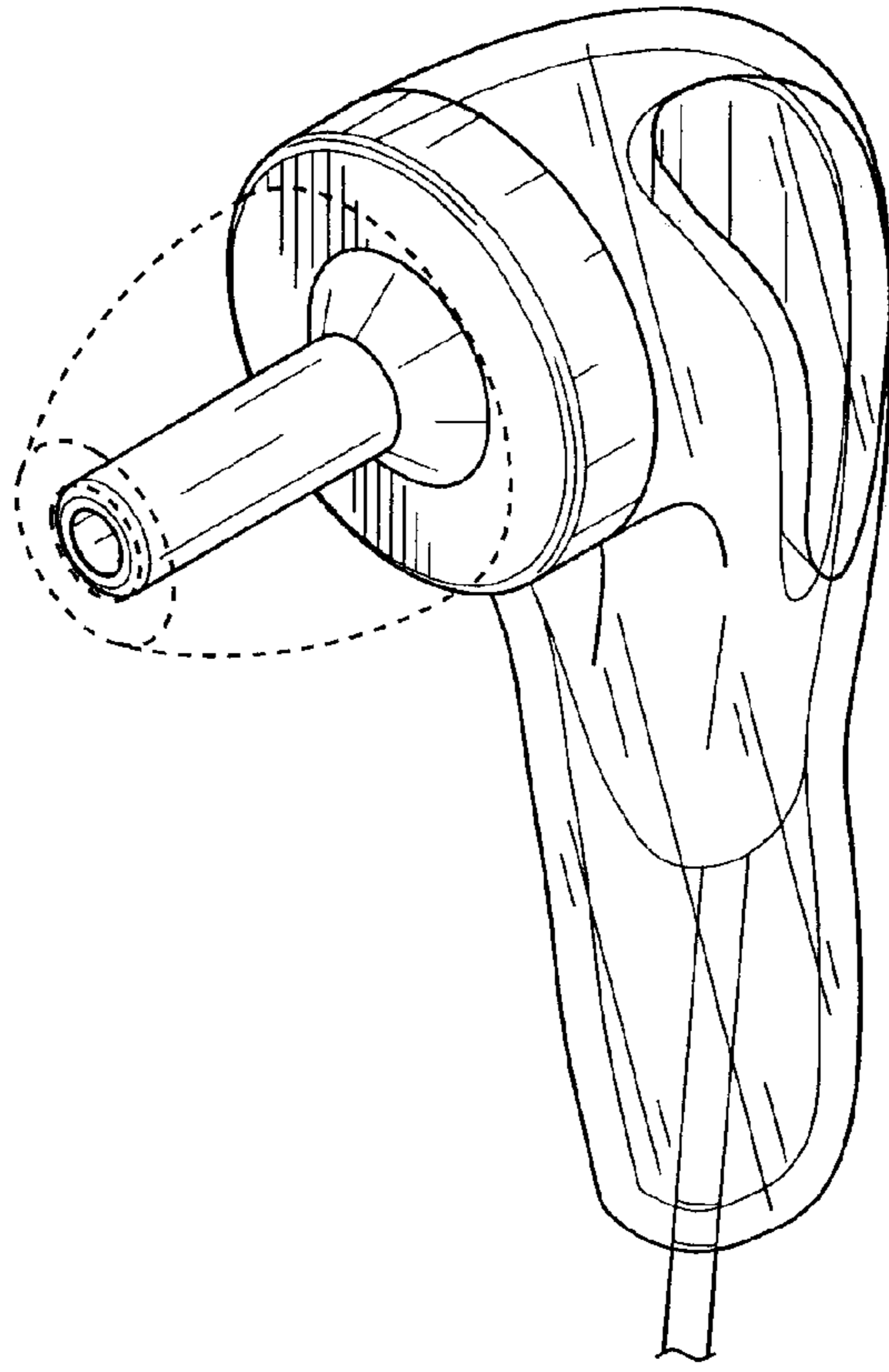


FIG. 2

FIG. 3

