



US00D516057S

(12) **United States Design Patent** (10) **Patent No.:** **US D516,057 S**
Sube (45) **Date of Patent:** **** Feb. 28, 2006**

(54) **DIGITAL AUDIO DISK PLAYER WITH RADIO TUNER AND RECORD PLAYER**

(75) Inventor: **Minoru Sube**, Tokyo (JP)
(73) Assignee: **TEAC Corporation**, Tokyo (JP)
(**) Term: **14 Years**

(21) Appl. No.: **29/215,120**
(22) Filed: **Oct. 13, 2004**

(51) **LOC (8) Cl.** **14-01**
(52) **U.S. Cl.** **D14/202; D14/168**
(58) **Field of Classification Search** **D14/168-170,**
D14/172-176, 183-184, 188, 194-203, 208;
455/247, 350-351

See application file for complete search history.

(56) **References Cited**

U.S. PATENT DOCUMENTS

D247,488 S	*	3/1978	Ohtomo	D14/202
D442,573 S	*	5/2001	Ito et al.	D14/168
D442,937 S	*	5/2001	Ito et al.	D14/169
D459,716 S	*	7/2002	Chan	D14/199

* cited by examiner

Primary Examiner—Nanda Bondade
(74) *Attorney, Agent, or Firm*—Weingarten, Schurgen,
Gagnebin & Lebovici LLP

(57) **CLAIM**

The ornamental design for digital audio disk player with radio tuner and record player, as shown.

DESCRIPTION

FIG. 1 is a perspective view of digital audio disk player with radio tuner and record player looking from the upper right-side direction thereof;

FIG. 2 is a front view thereof;

FIG. 3 is a top view thereof;

FIG. 4 is a bottom view thereof;

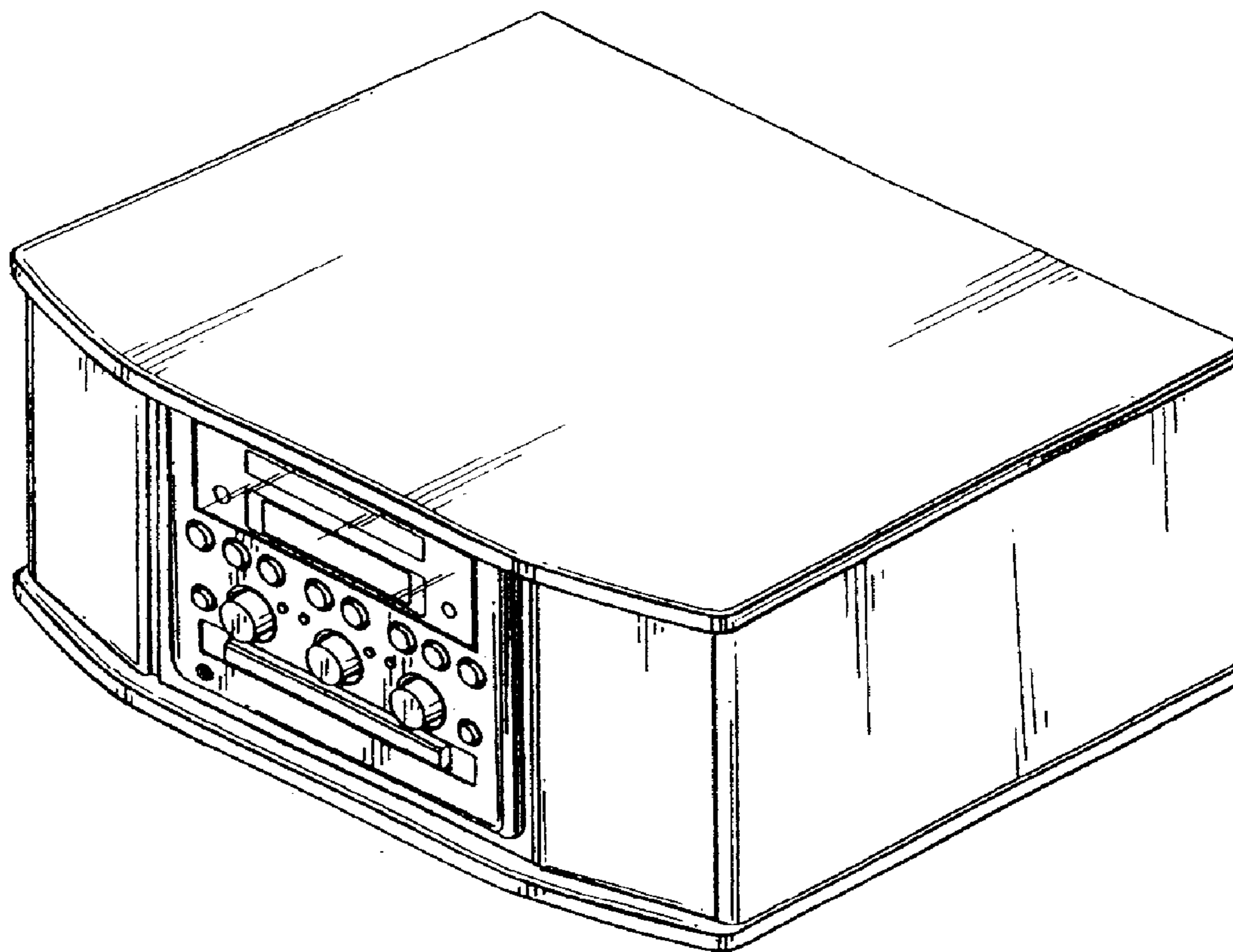
FIG. 5 is a right-side view thereof;

FIG. 6 is a left-side view thereof;

FIG. 7 is a rear view thereof; and,

FIG. 8 is a perspective view of digital audio disk player with radio tuner and record player showing the status of opening of a cover thereof.

1 Claim, 4 Drawing Sheets



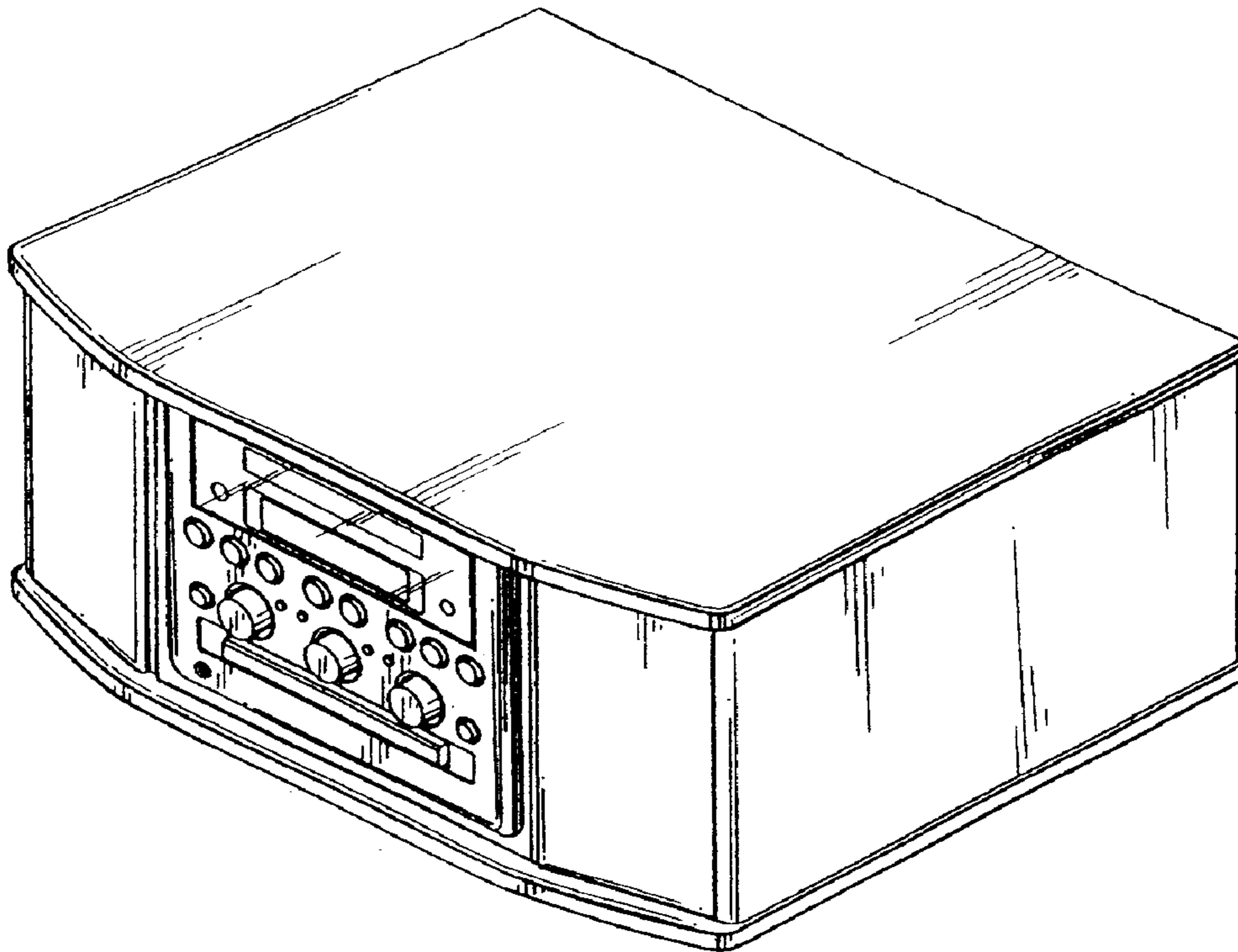


Fig. 1

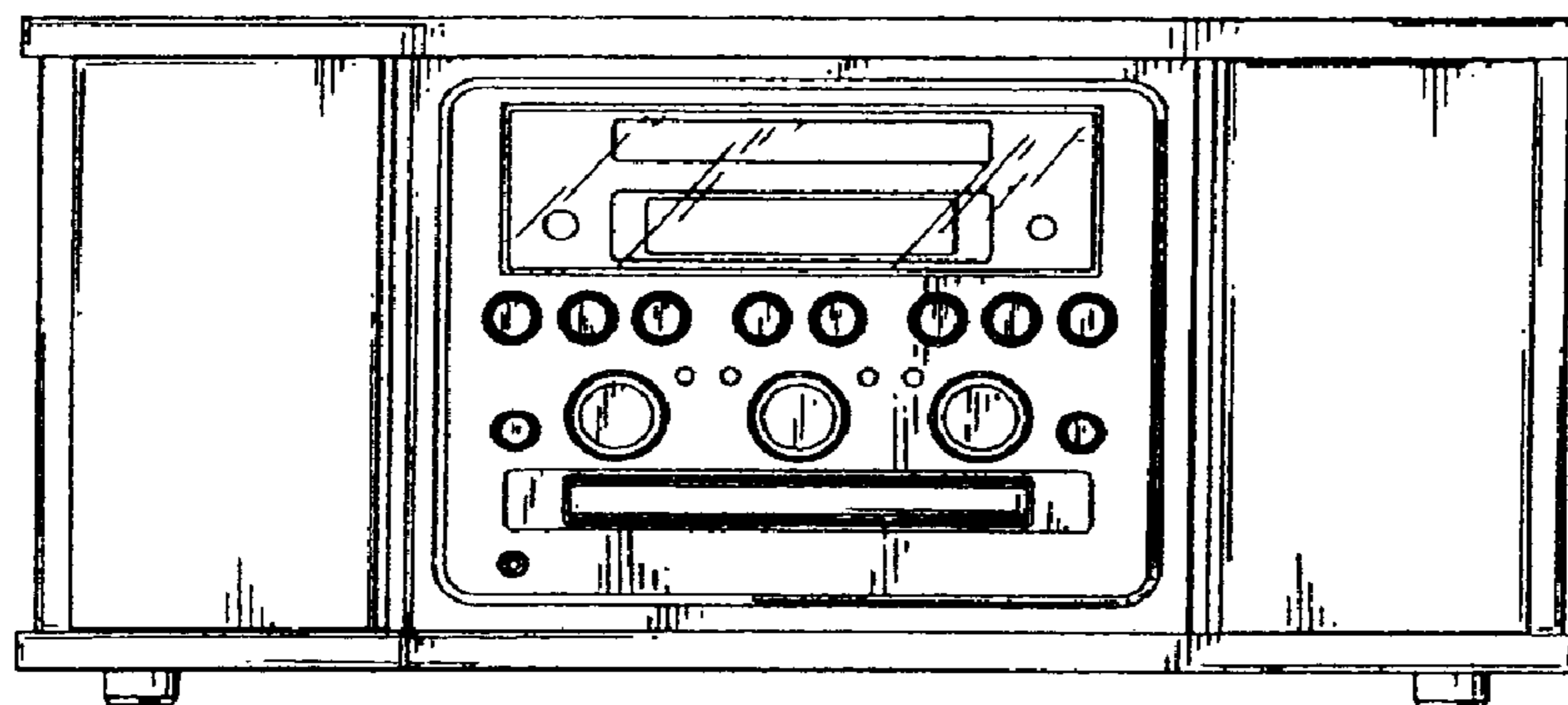


Fig. 2

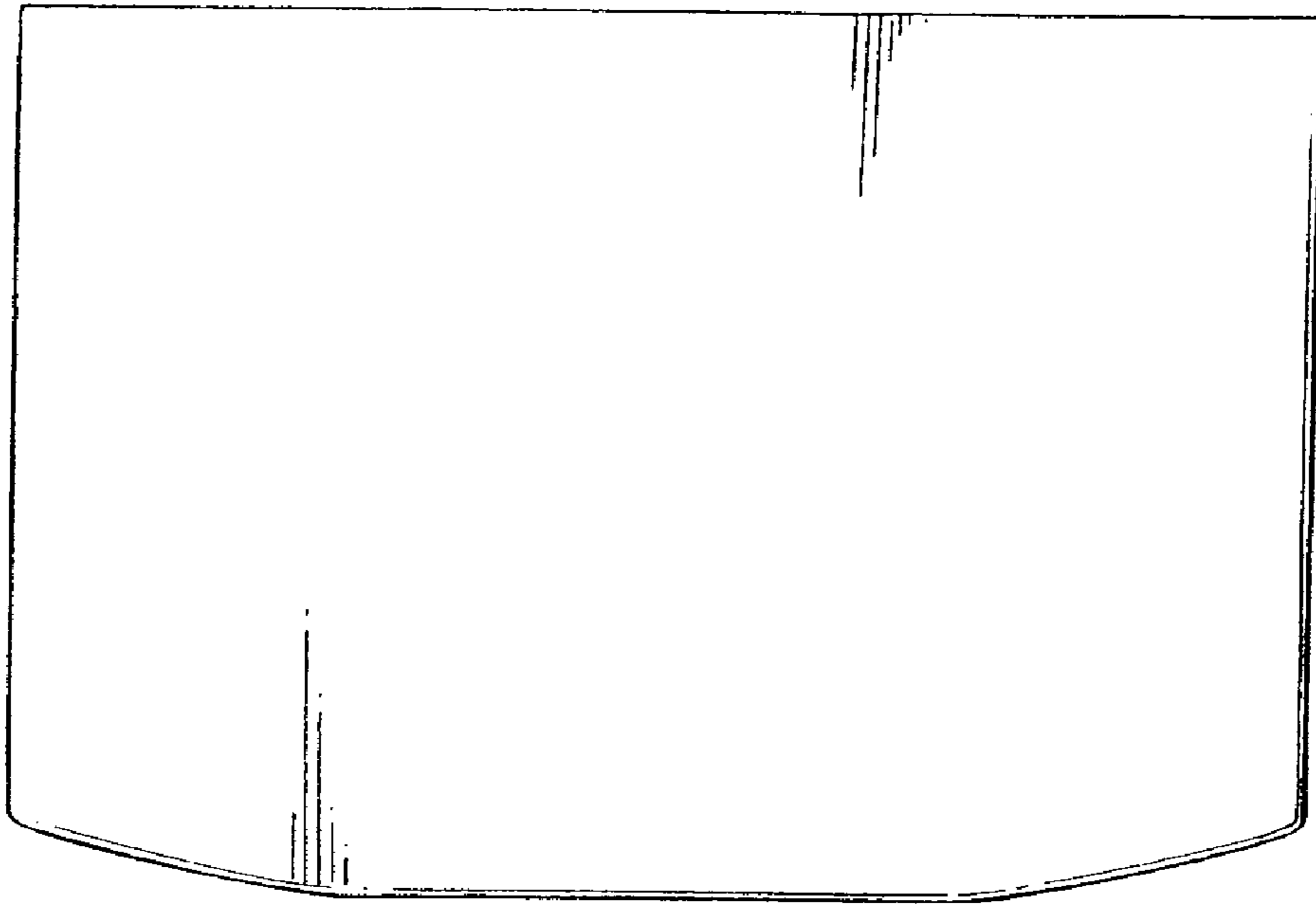


Fig. 3

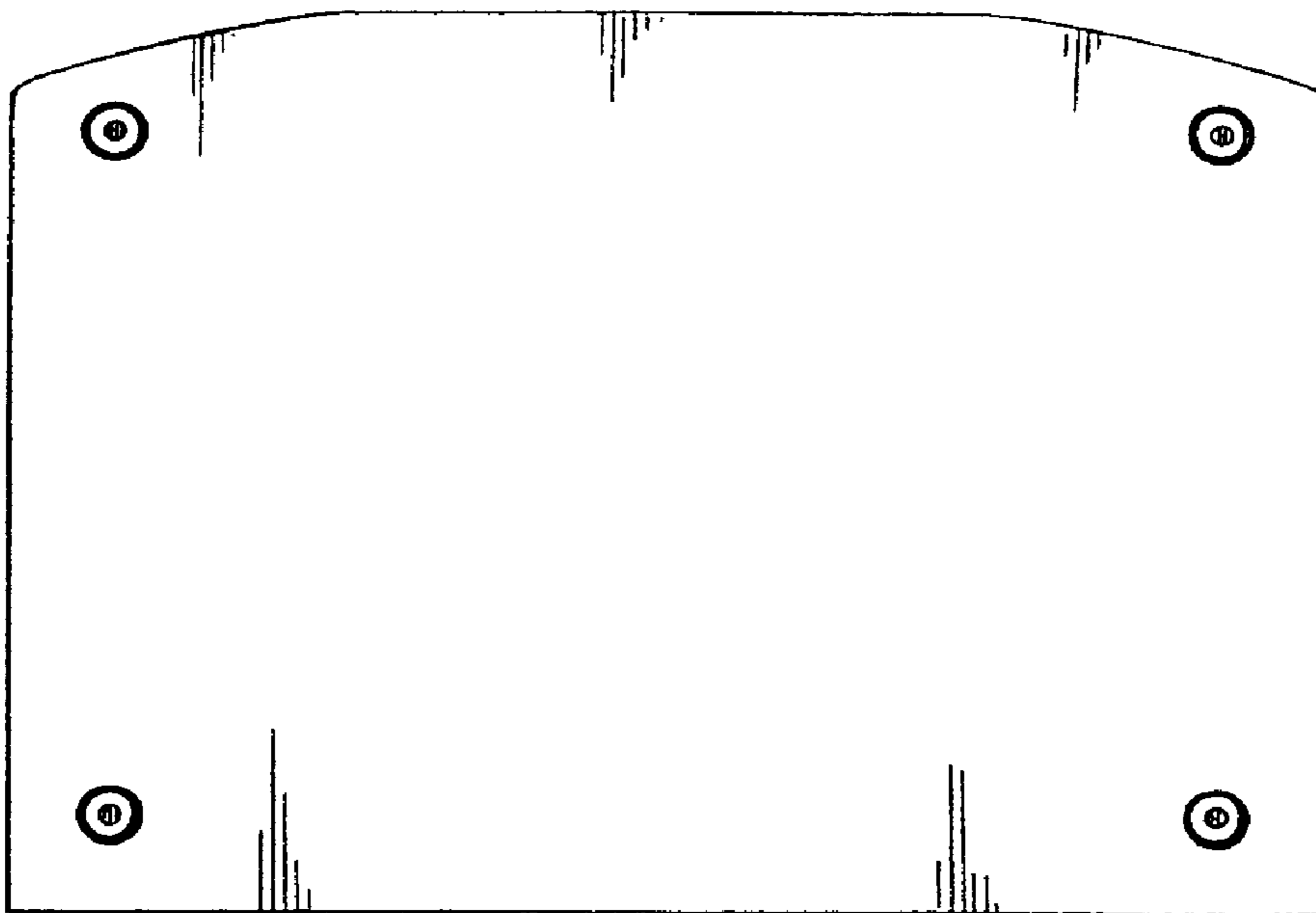


Fig. 4

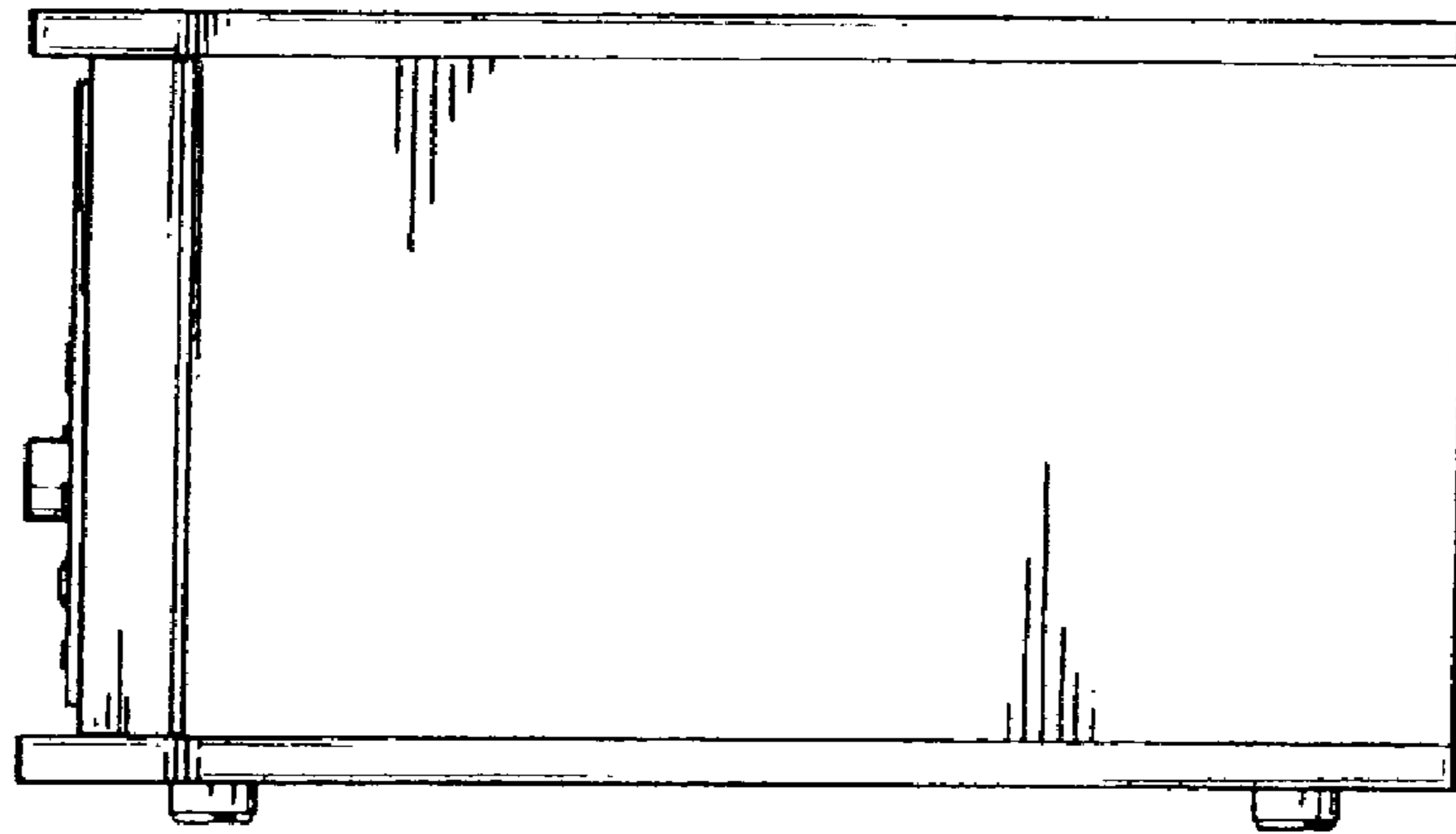


Fig. 5

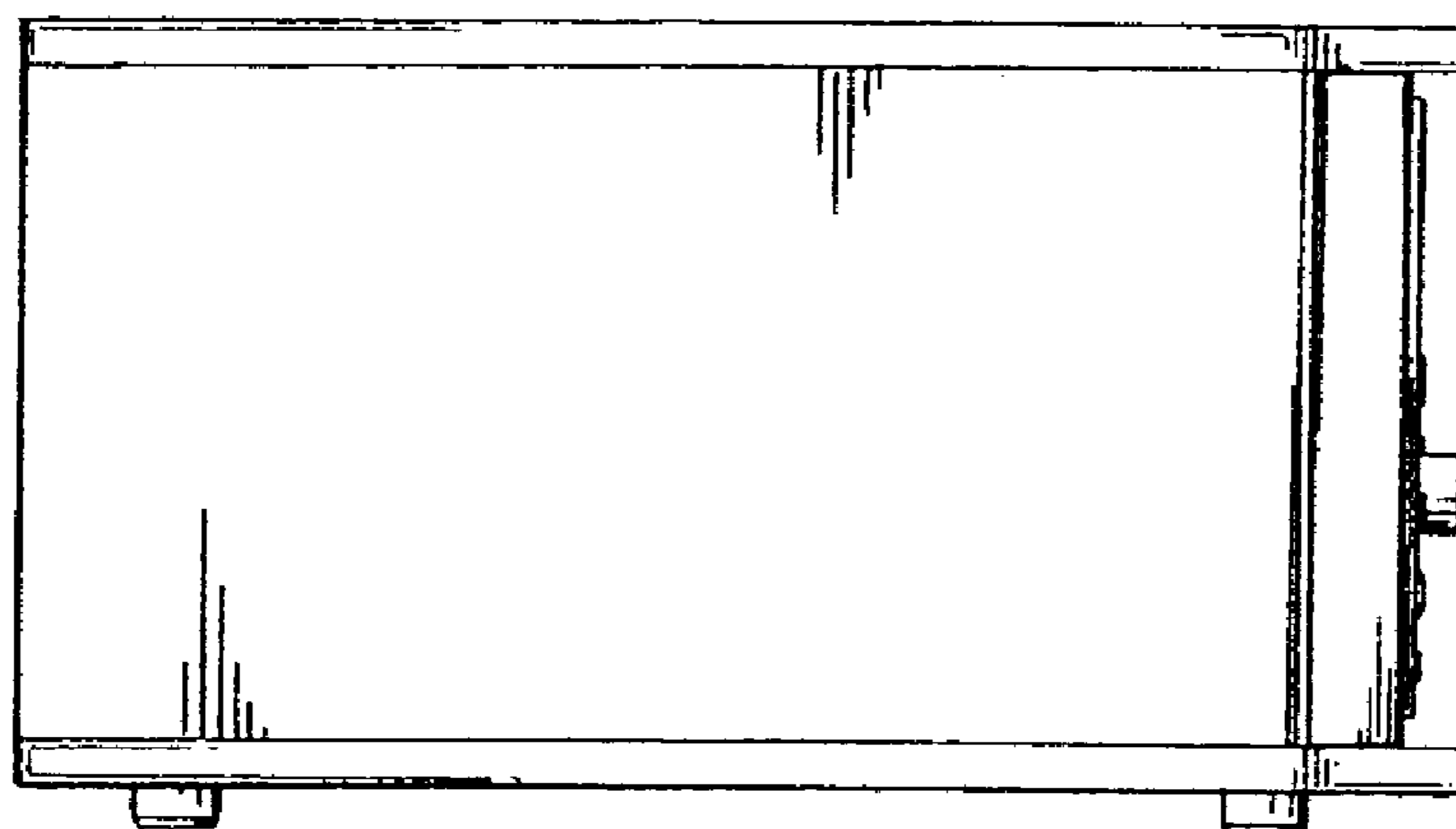


Fig. 6

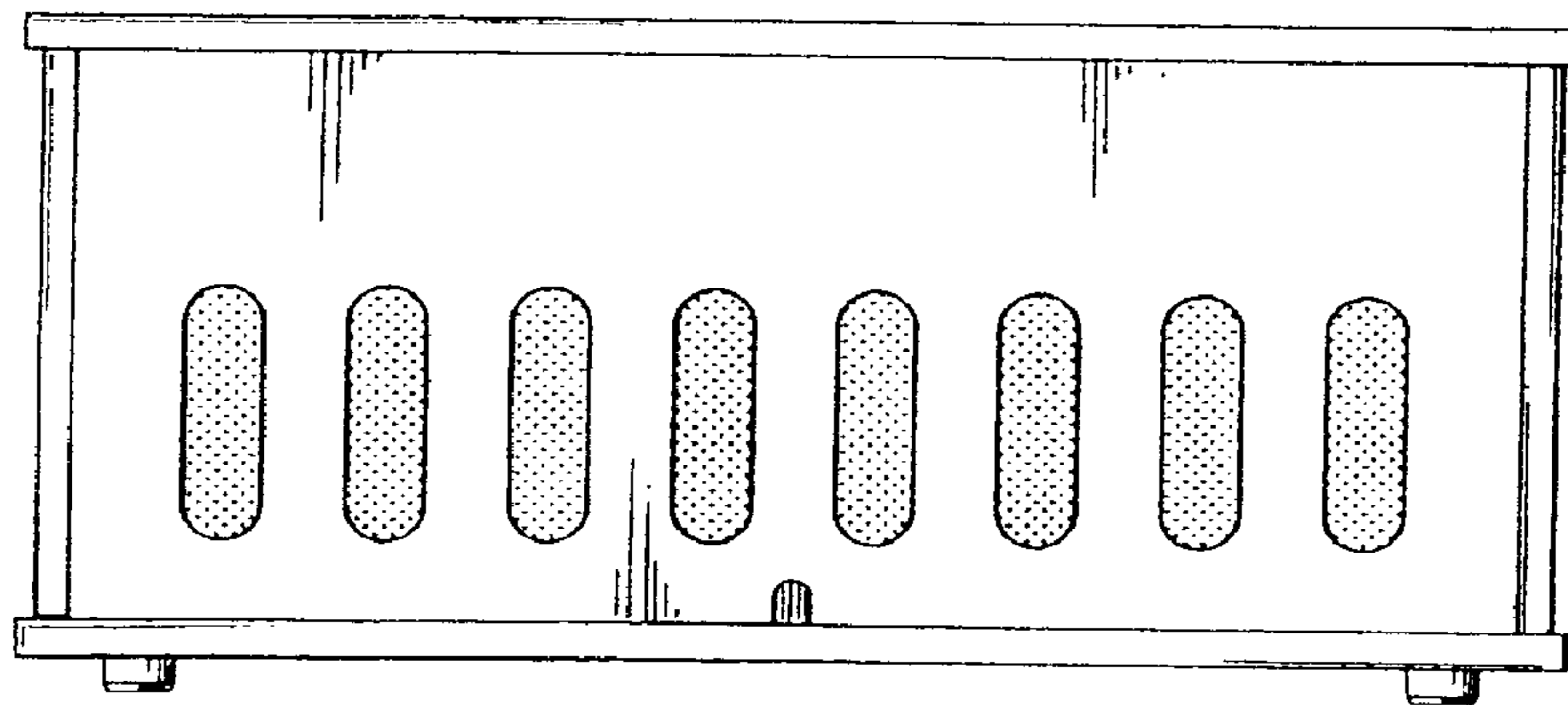


Fig. 7

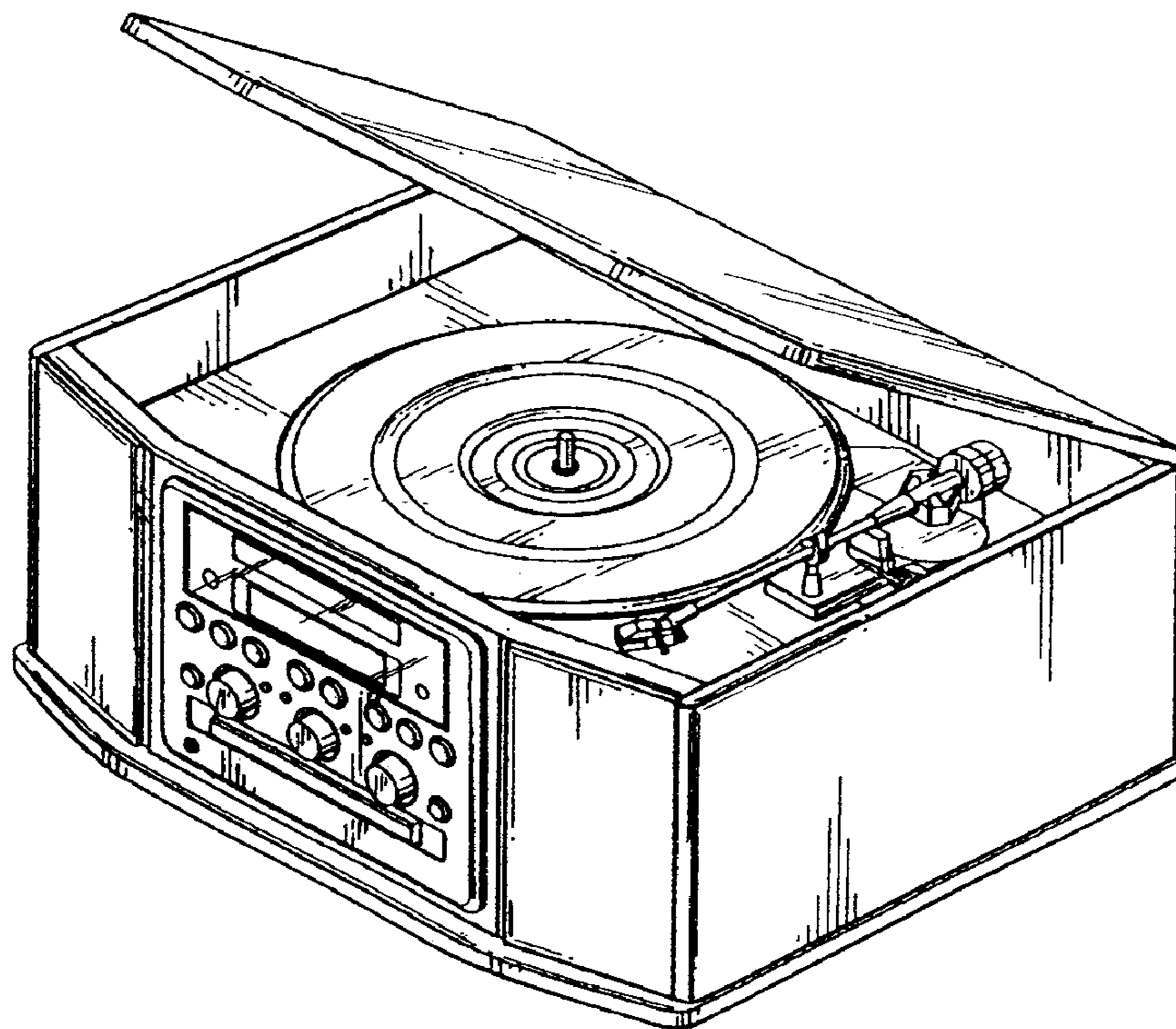


Fig. 8