



US00D516056S

(12) **United States Design Patent**
Hsiau

(10) **Patent No.:** **US D516,056 S**

(45) **Date of Patent:** **** Feb. 28, 2006**

(54) **WEBRADIO**

(75) **Inventor:** **Yung-Li Hsiau, Hsinchu (TW)**

(73) **Assignee:** **D-Link Corporation, Hsinchu (TW)**

(**) **Term:** **14 Years**

(21) **Appl. No.:** **29/218,992**

(22) **Filed:** **Dec. 13, 2004**

(51) **LOC (8) Cl.** **14-03**

(52) **U.S. Cl.** **D14/188**

(58) **Field of Classification Search** D14/188,
D14/197, 192-194, 265, 155, 159, 137, 138;
455/347-351, 90.3; 369/1, 6, 7, 12
See application file for complete search history.

(56) **References Cited**

U.S. PATENT DOCUMENTS

- 4,639,225 A * 1/1987 Washizuka 434/308
- 4,676,619 A * 6/1987 Woolley 396/432
- D352,033 S * 11/1994 Robertson et al. D14/188

- D377,650 S * 1/1997 Obata D14/171
- 5,883,859 A * 3/1999 Bentley 368/10
- D444,779 S * 7/2001 Hin D14/188
- D478,327 S * 9/2003 Rozier D14/188

* cited by examiner

Primary Examiner—Prabhakar Deshmukh

(74) *Attorney, Agent, or Firm*—Bacon & Thomas PLLC

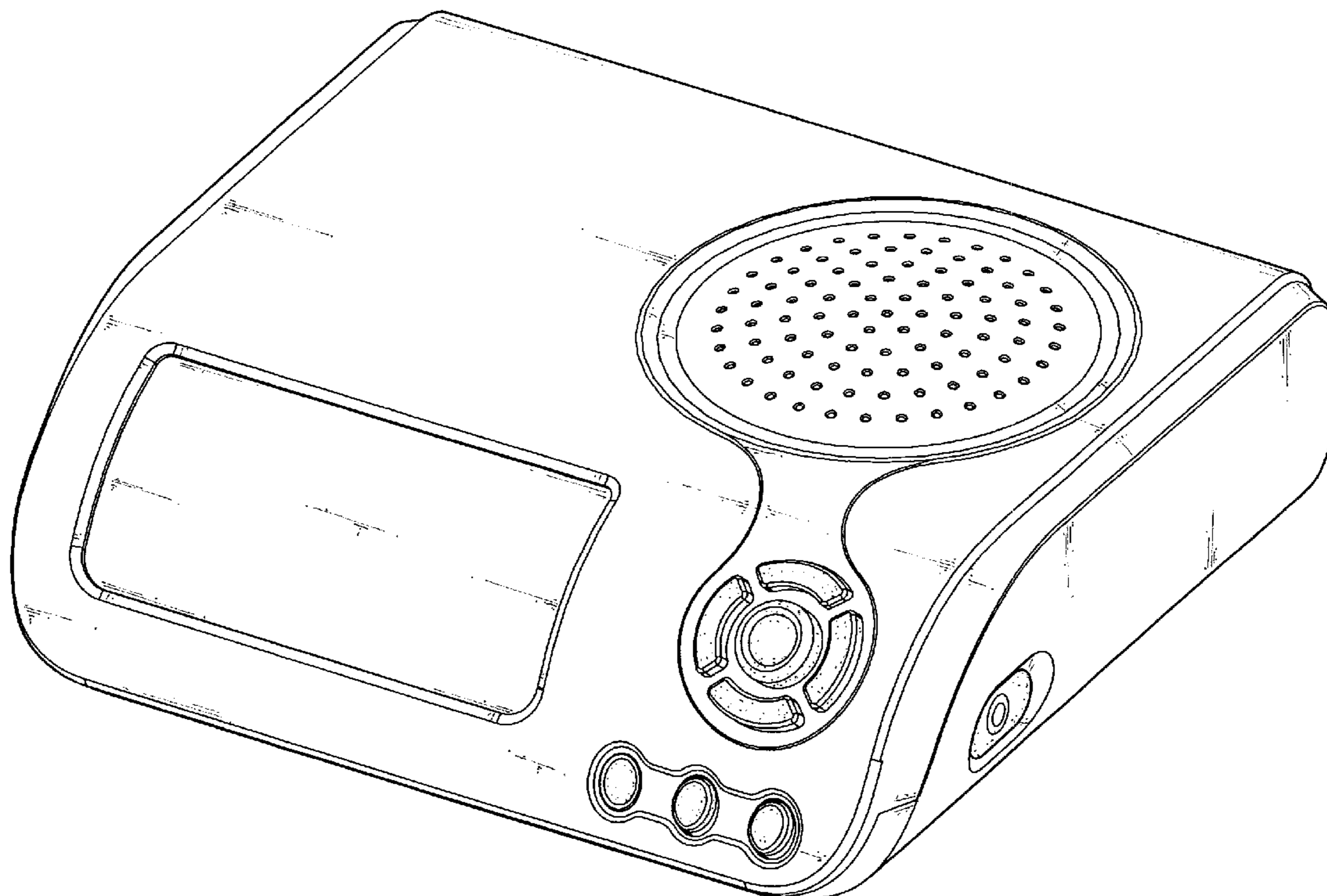
(57) **CLAIM**

The ornamental design for a webradio, as shown.

DESCRIPTION

FIG. 1 is a perspective view of a webradio showing my new design;
 FIG. 2 is a front elevational view thereof;
 FIG. 3 is a rear elevational view thereof;
 FIG. 4 is a left side elevational view thereof;
 FIG. 5 is a right side elevational view thereof;
 FIG. 6 is a top plan view thereof; and,
 FIG. 7 is a bottom plan view thereof.

1 Claim, 7 Drawing Sheets



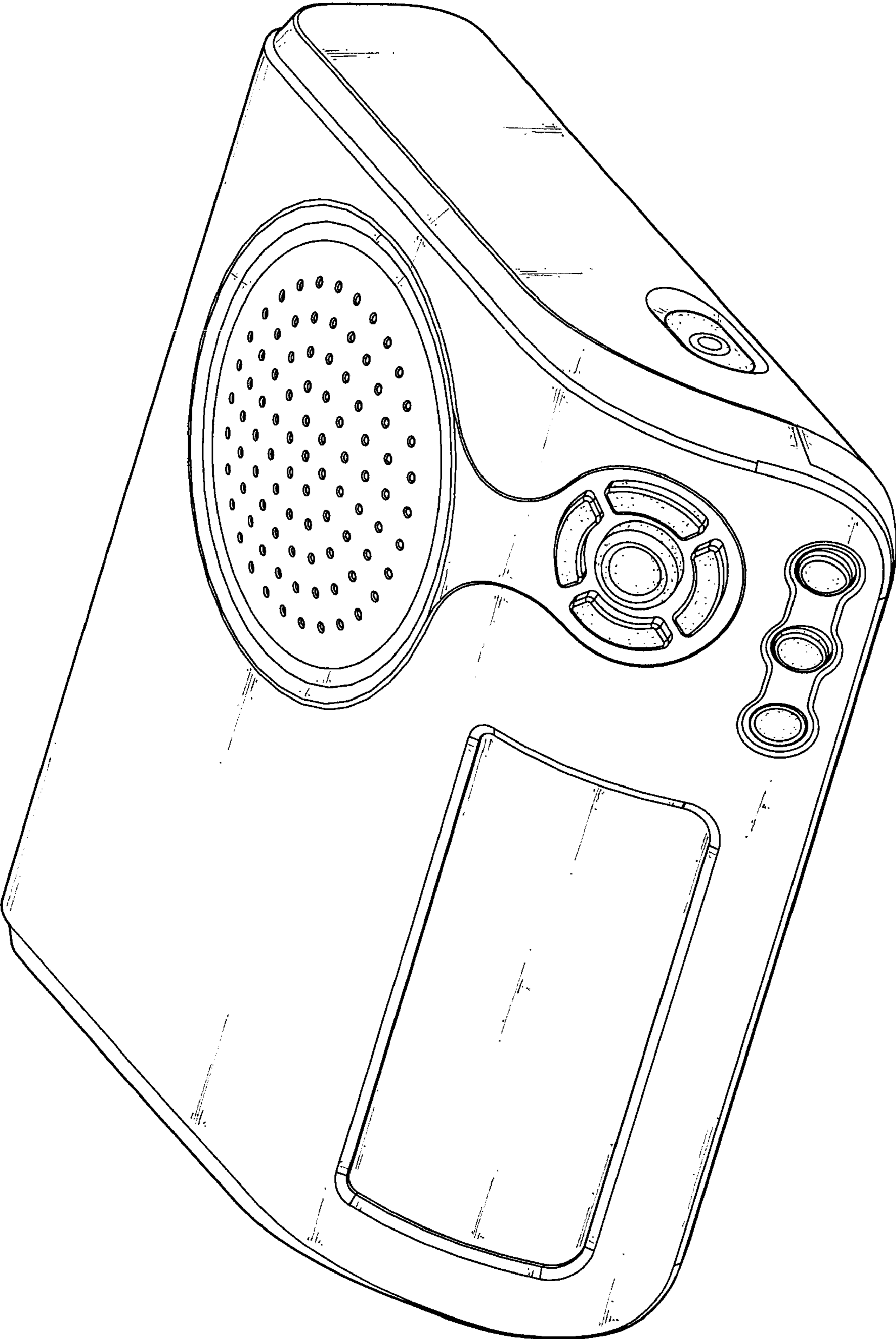


FIG. 1

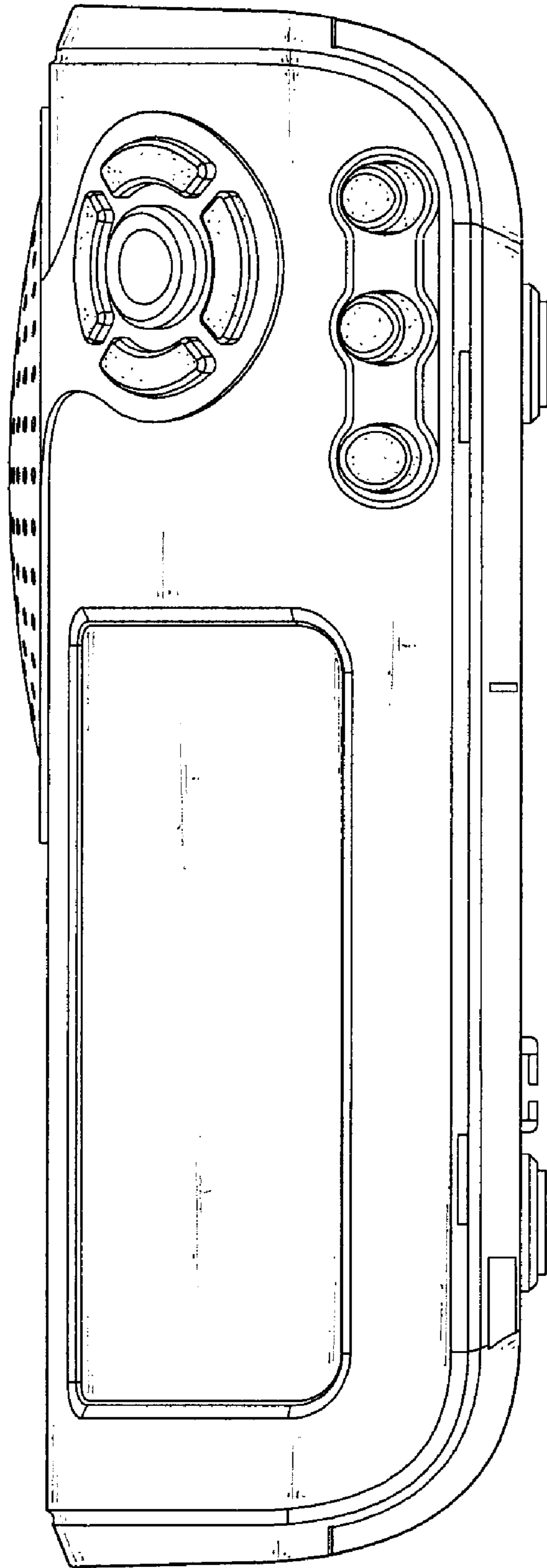


FIG. 2

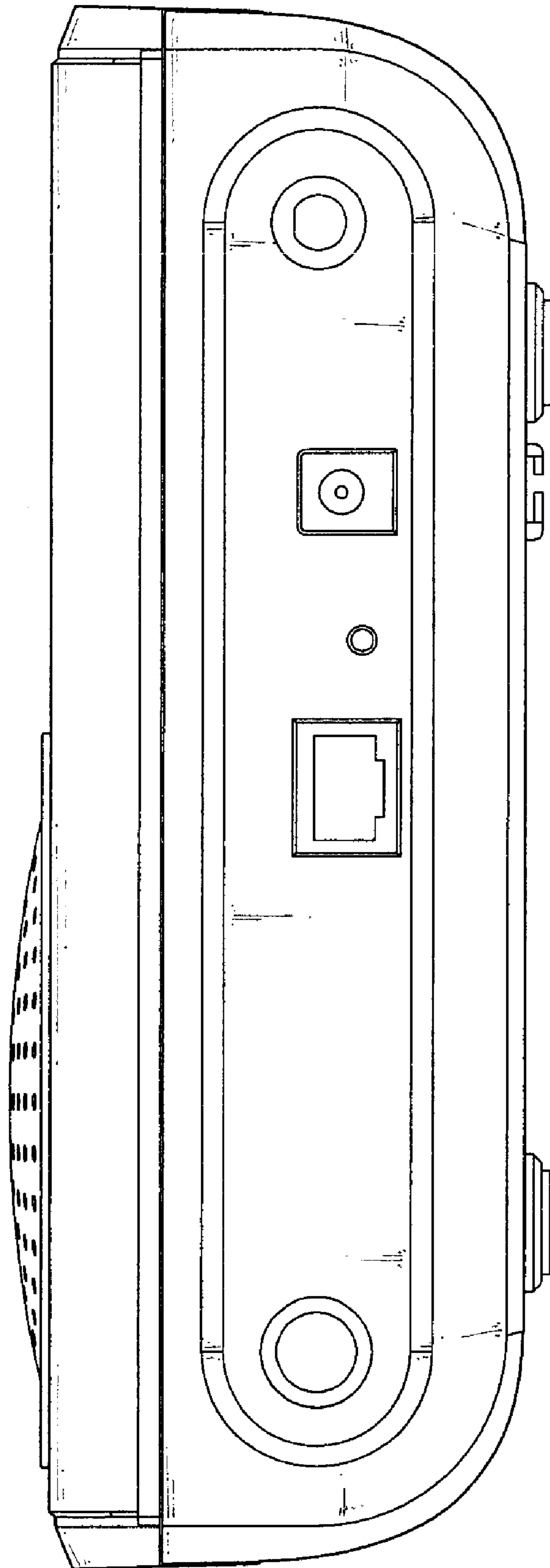


FIG. 3

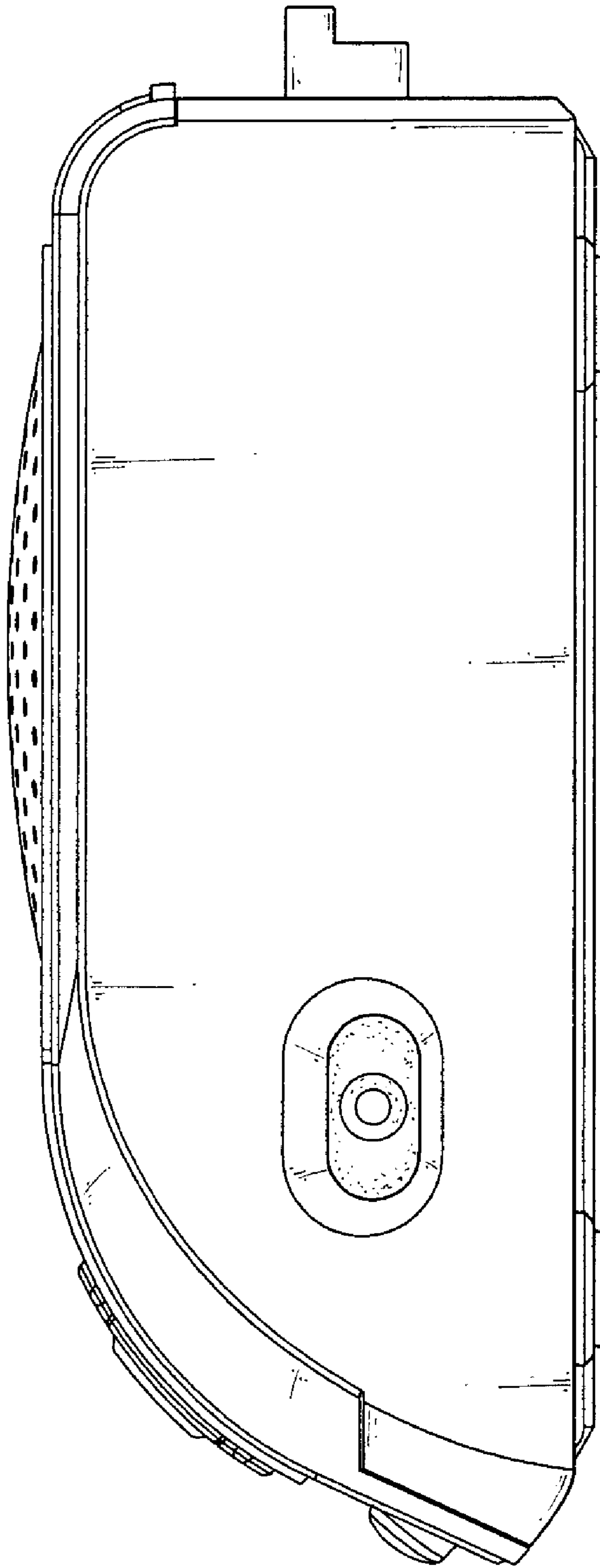


FIG. 4

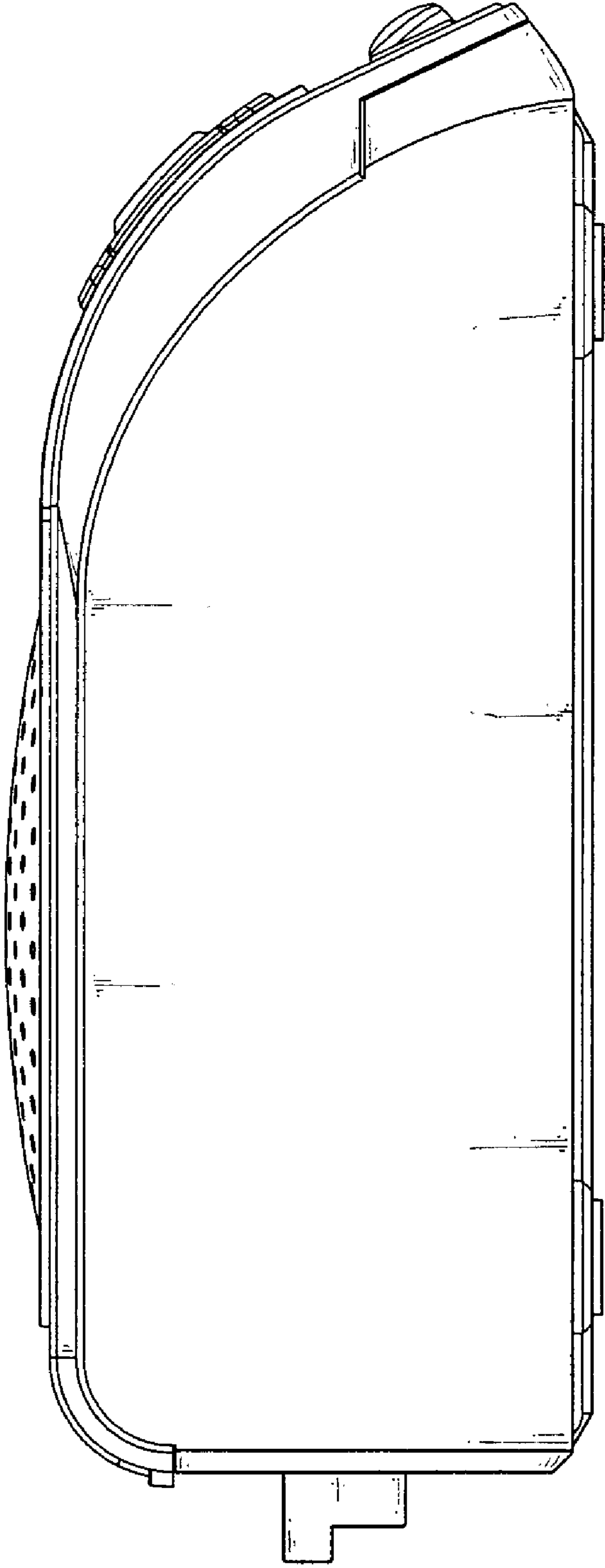


FIG. 5

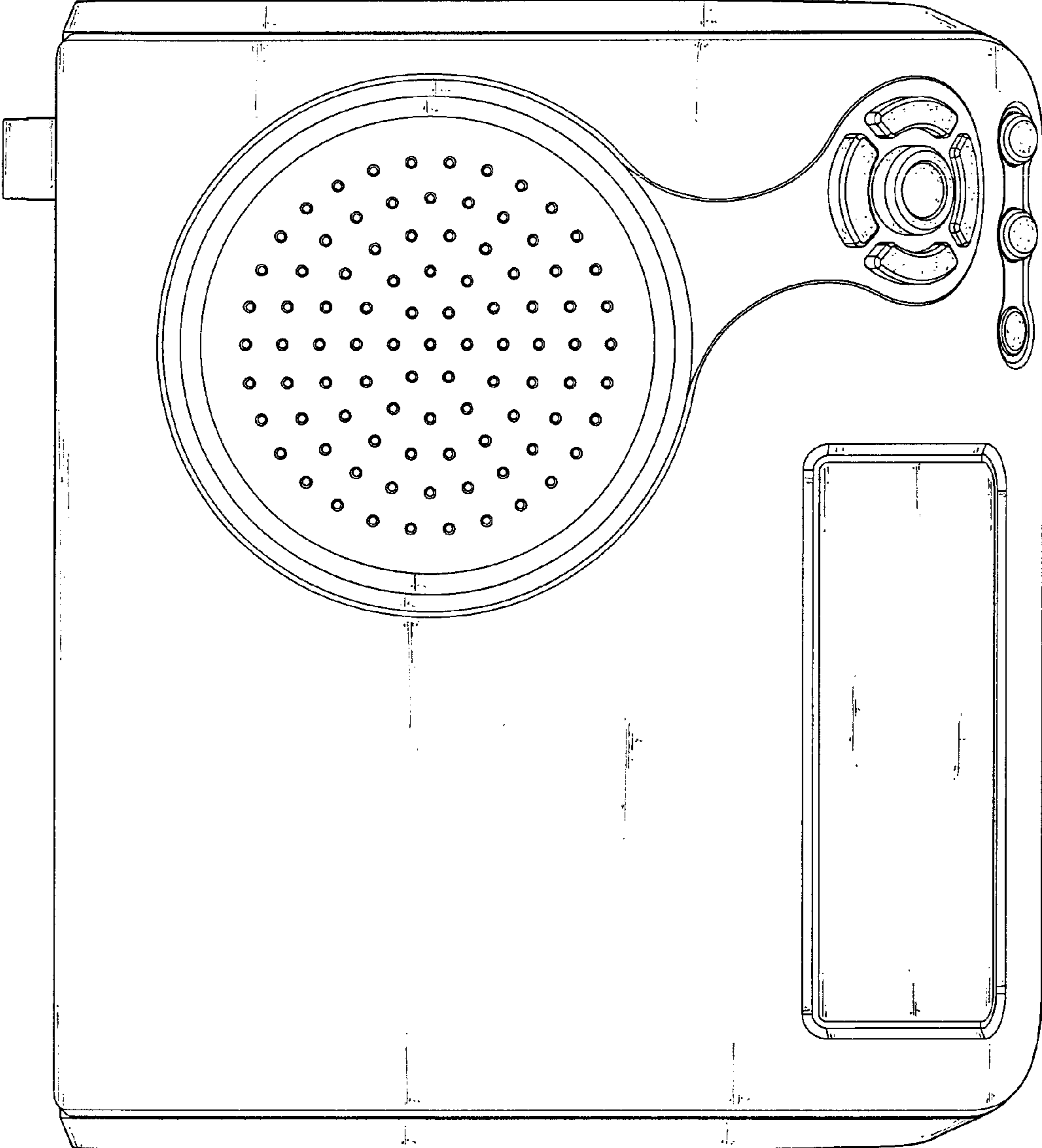


FIG. 6

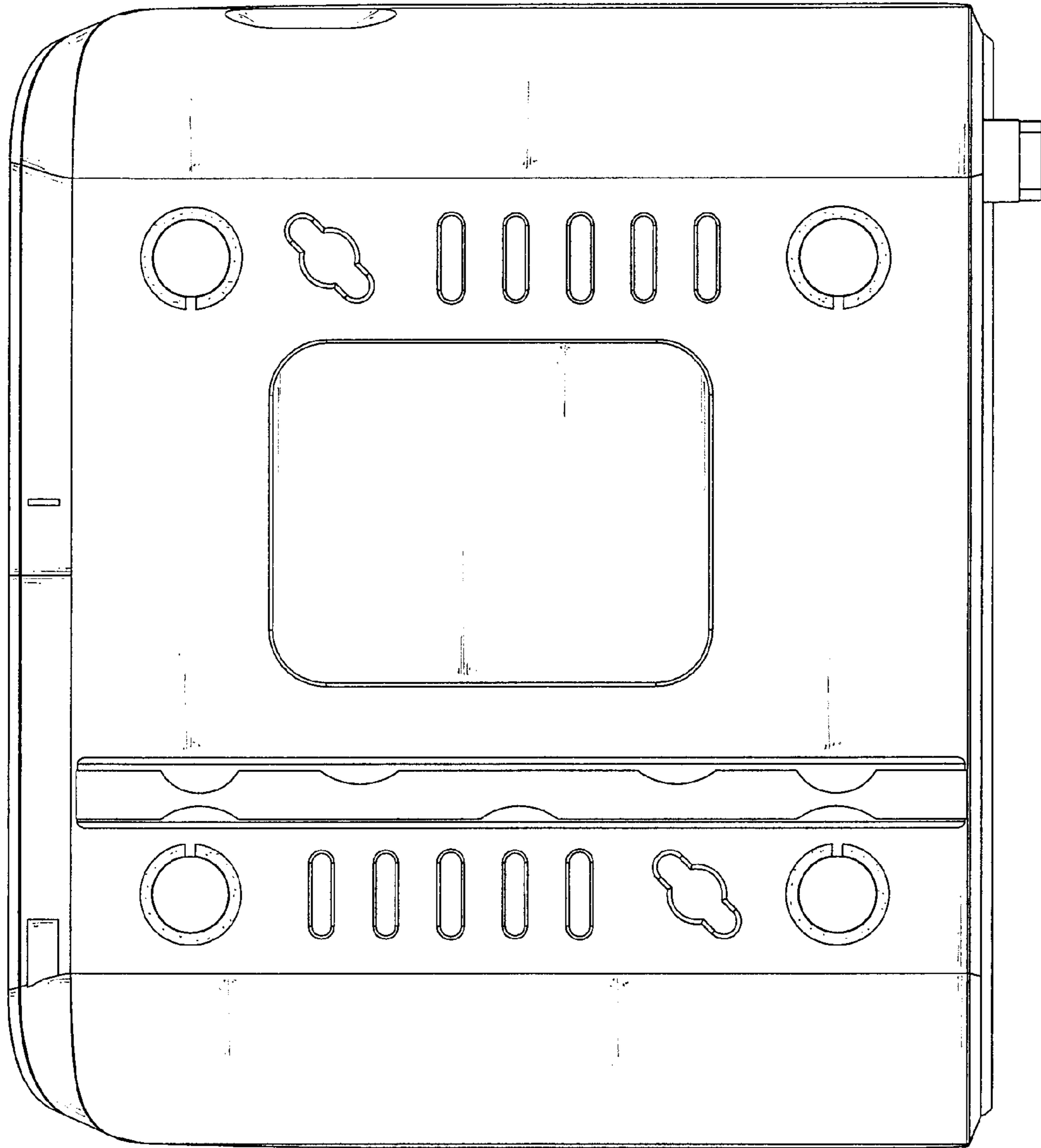


FIG. 7