



US00D516054S

(12) **United States Design Patent**
Chang

(10) **Patent No.:** **US D516,054 S**

(45) **Date of Patent:** **** Feb. 28, 2006**

(54) **RADIO WITH LIGHT**

(76) **Inventor:** **Eddie Chang**, Unit C, 2/F, Leroy Plaza,
15 Cheung Shun Street, Cheung Sha
Wan, Kowloon (HK)

(**) **Term:** **14 Years**

(21) **Appl. No.:** **29/213,467**

(22) **Filed:** **Sep. 18, 2004**

(30) **Foreign Application Priority Data**

Mar. 24, 2004 (HK) 0410660.5M001

(51) **LOC (8) Cl.** **14-01**

(52) **U.S. Cl.** **D14/168**

(58) **Field of Classification Search** D10/1-2,
D10/15; D14/168, 170, 193-198; D26/38-52;
312/7.1; 455/90, 100, 128, 344, 347, 350-351
See application file for complete search history.

(56) **References Cited**

U.S. PATENT DOCUMENTS

D276,913 S * 12/1984 Okada et al. D14/194

D305,024 S * 12/1989 Nishiyori et al. D14/188

D307,013 S * 4/1990 Pang D14/197

D424,564 S * 5/2000 Quaglio et al. D14/197

D455,416 S * 4/2002 McDermott D14/168

* cited by examiner

Primary Examiner—Nanda Bondade

(74) *Attorney, Agent, or Firm*—Robert M. Downey, P.A.

(57) **CLAIM**

The ornamental design for a radio with light, as shown and described.

DESCRIPTION

FIG. 1 is a top rear perspective view of a radio with light showing my new design;

FIG. 2 is a front elevational view thereof;

FIG. 3 is a rear elevational view thereof;

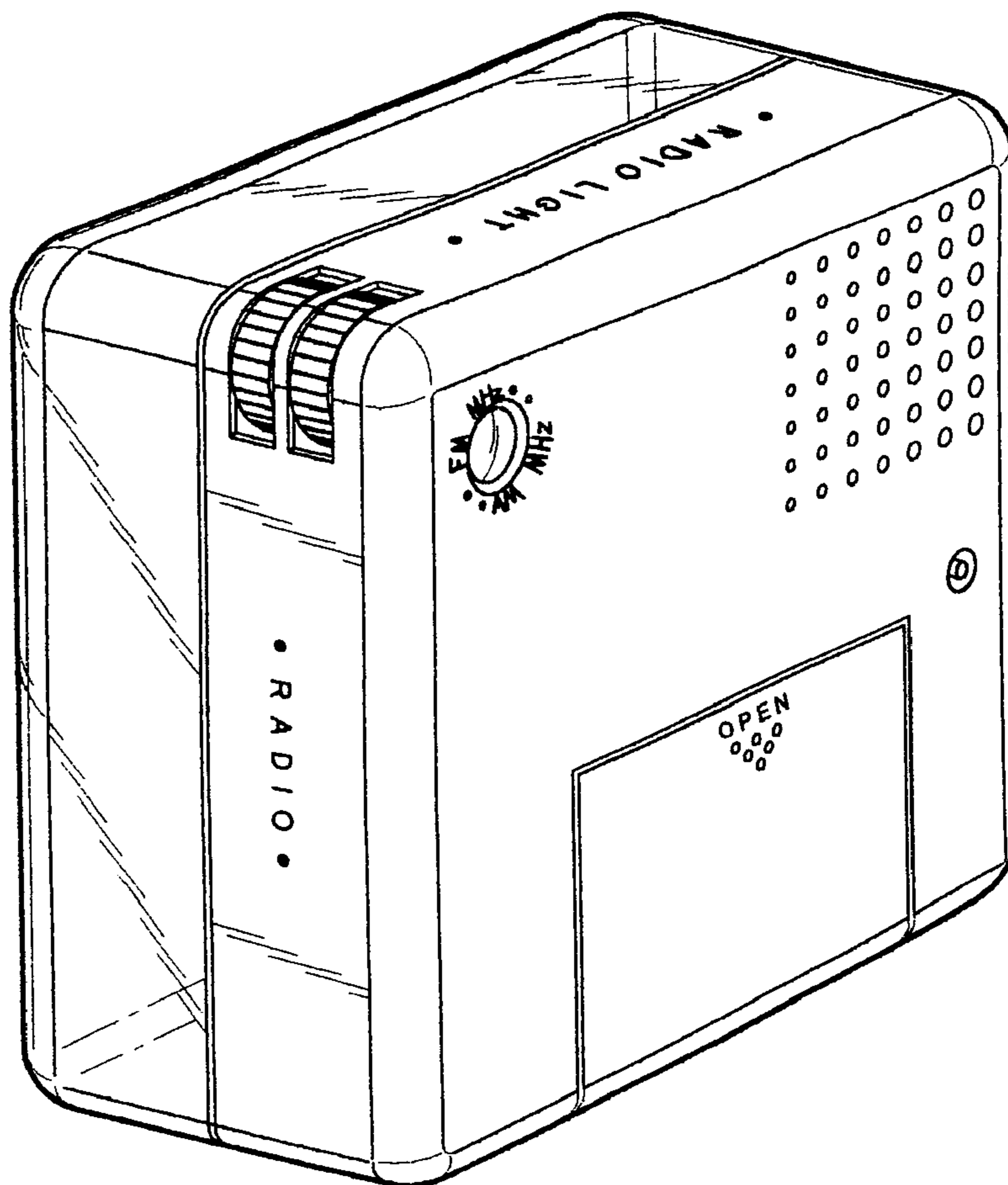
FIG. 4 is a right side elevational view thereof;

FIG. 5 is a top plan view thereof;

FIG. 6 is a left side elevational view thereof; and,

FIG. 7 is a bottom plan view thereof.

1 Claim, 2 Drawing Sheets



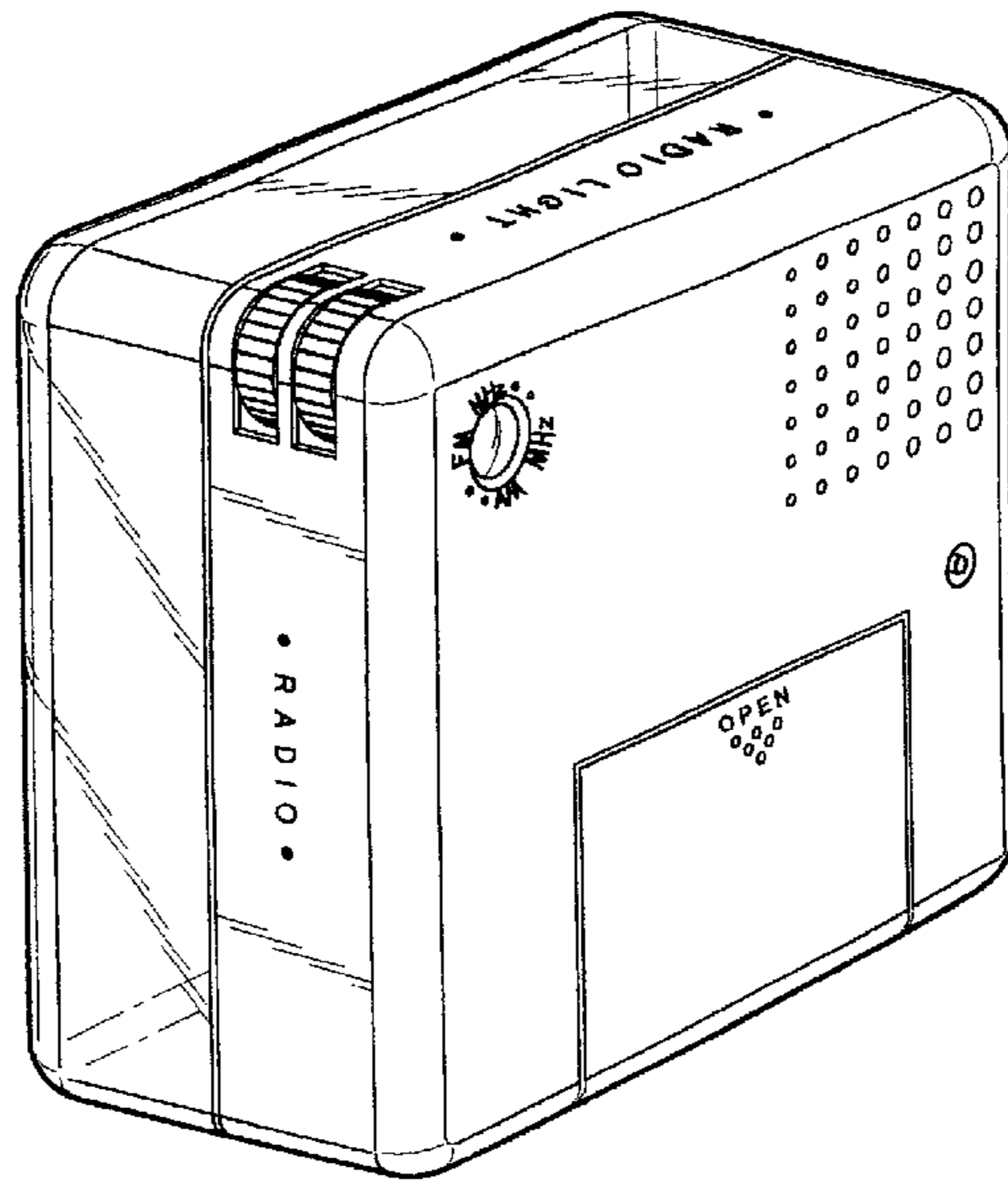


FIG. 1

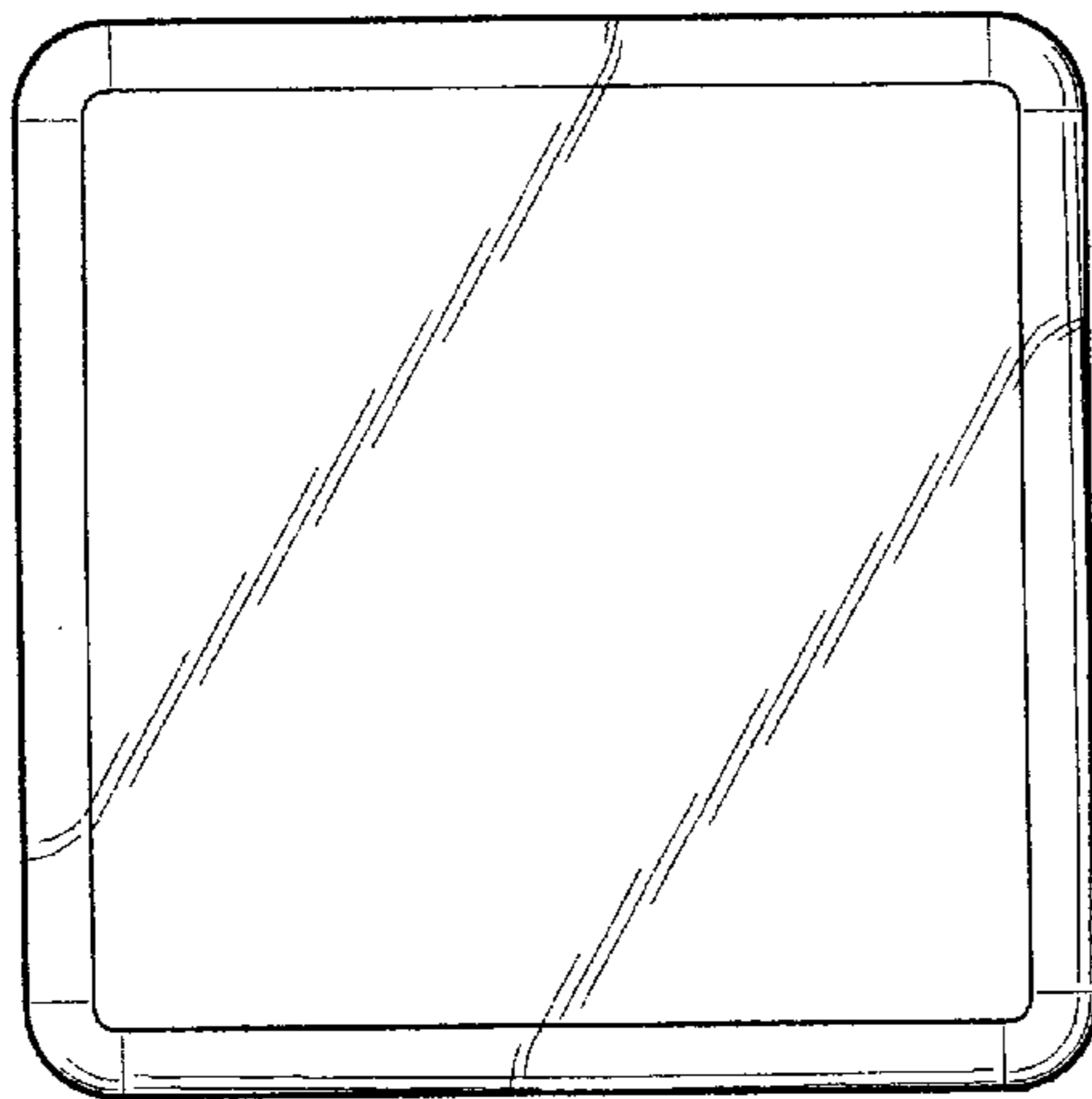


FIG. 2

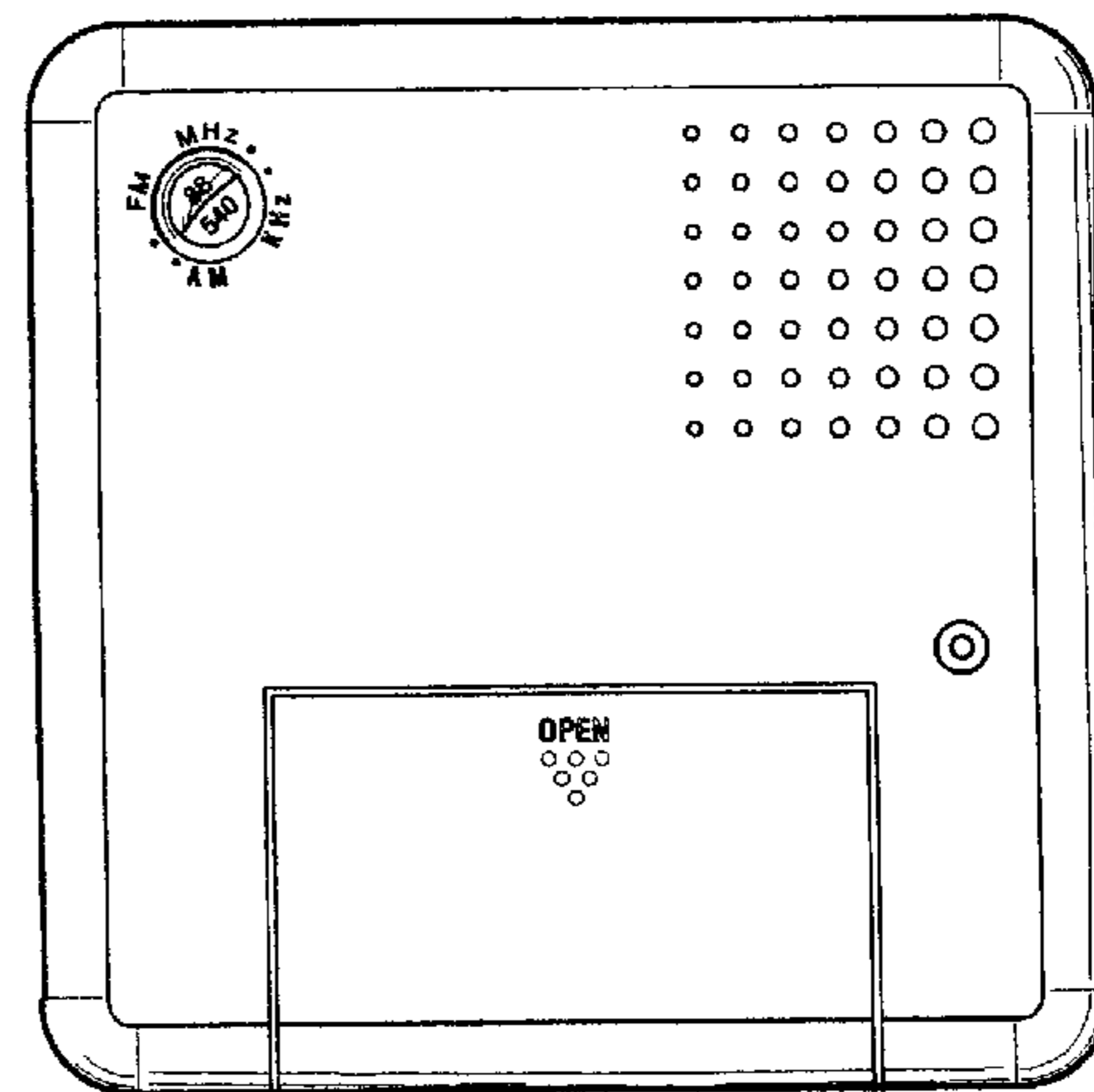


FIG. 3

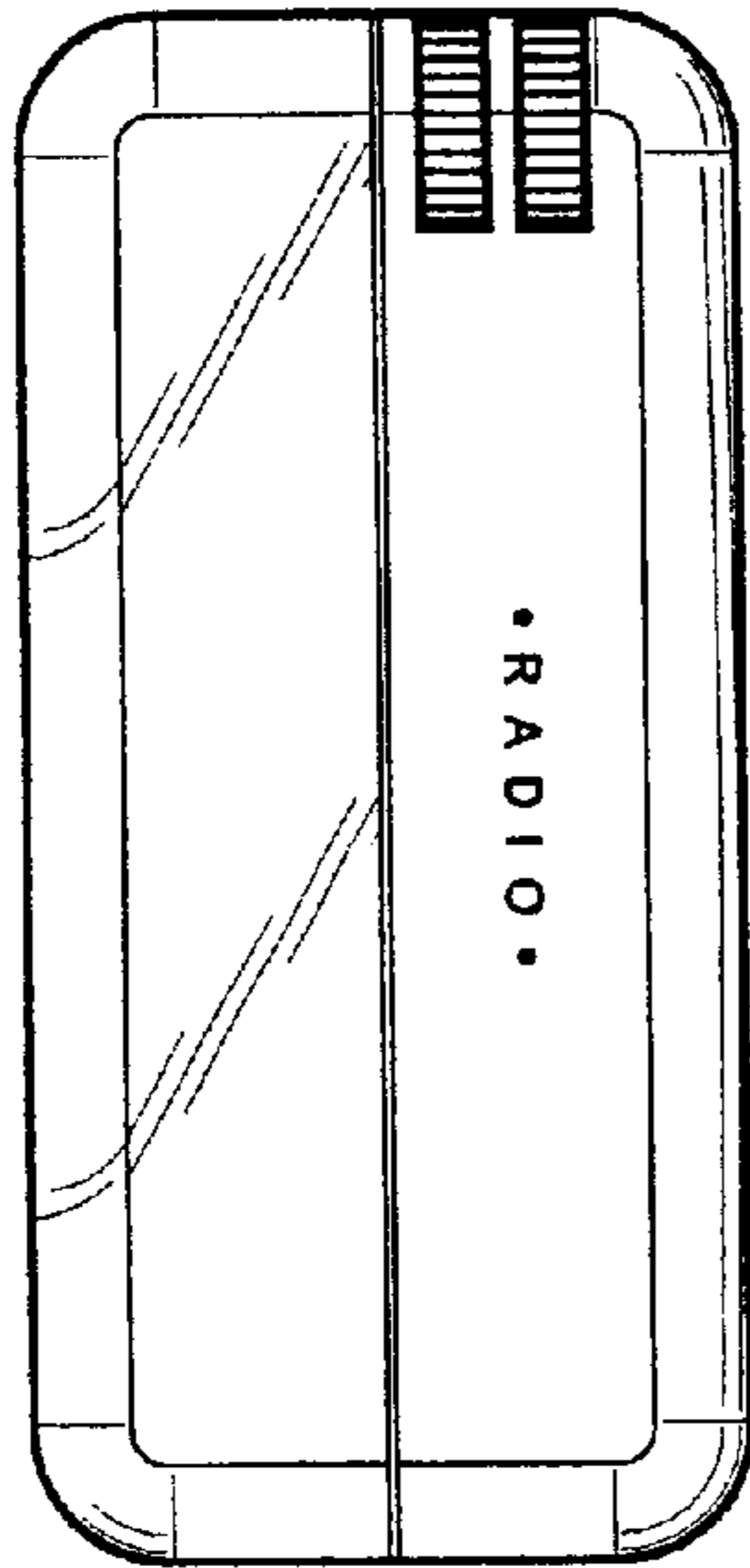


FIG. 4

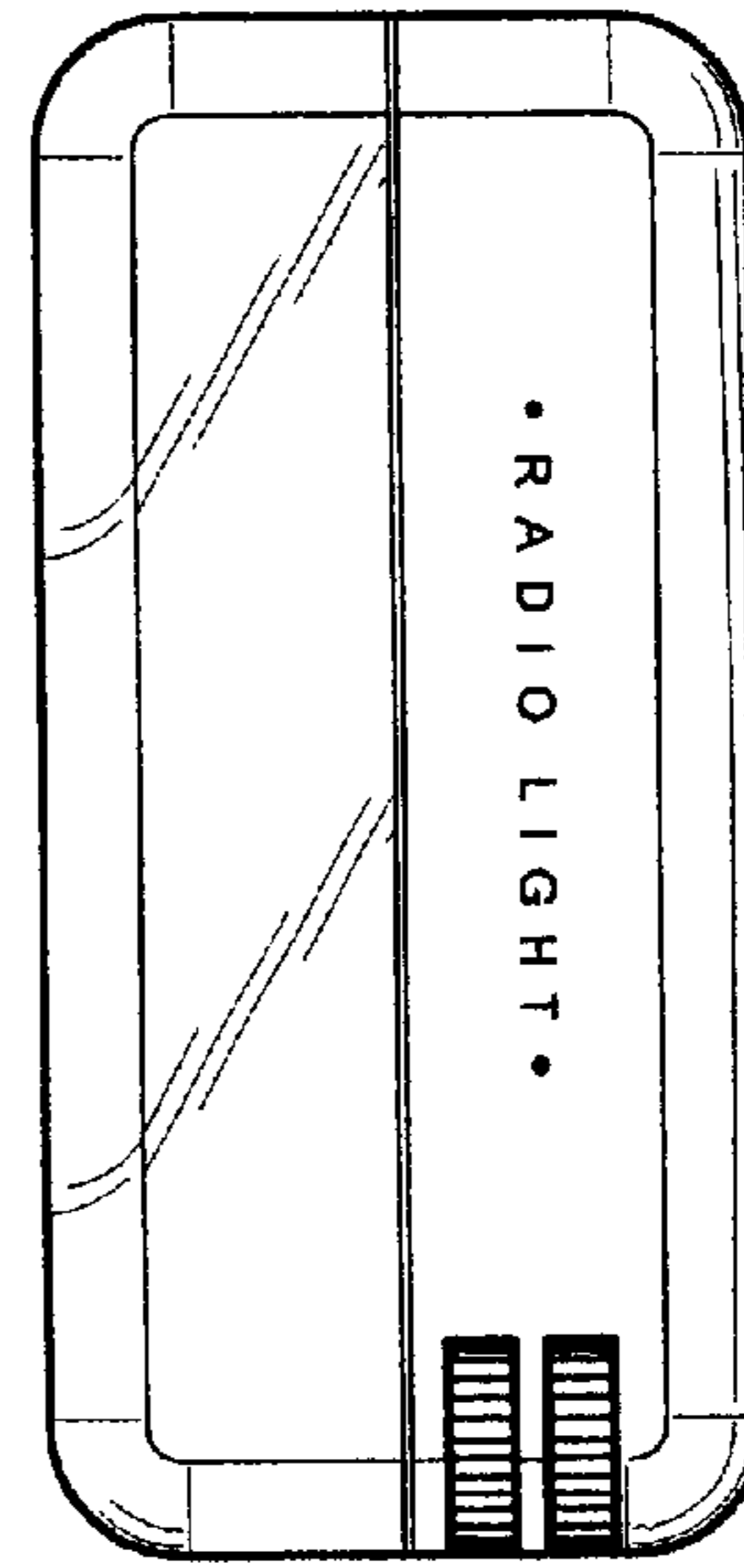


FIG. 5

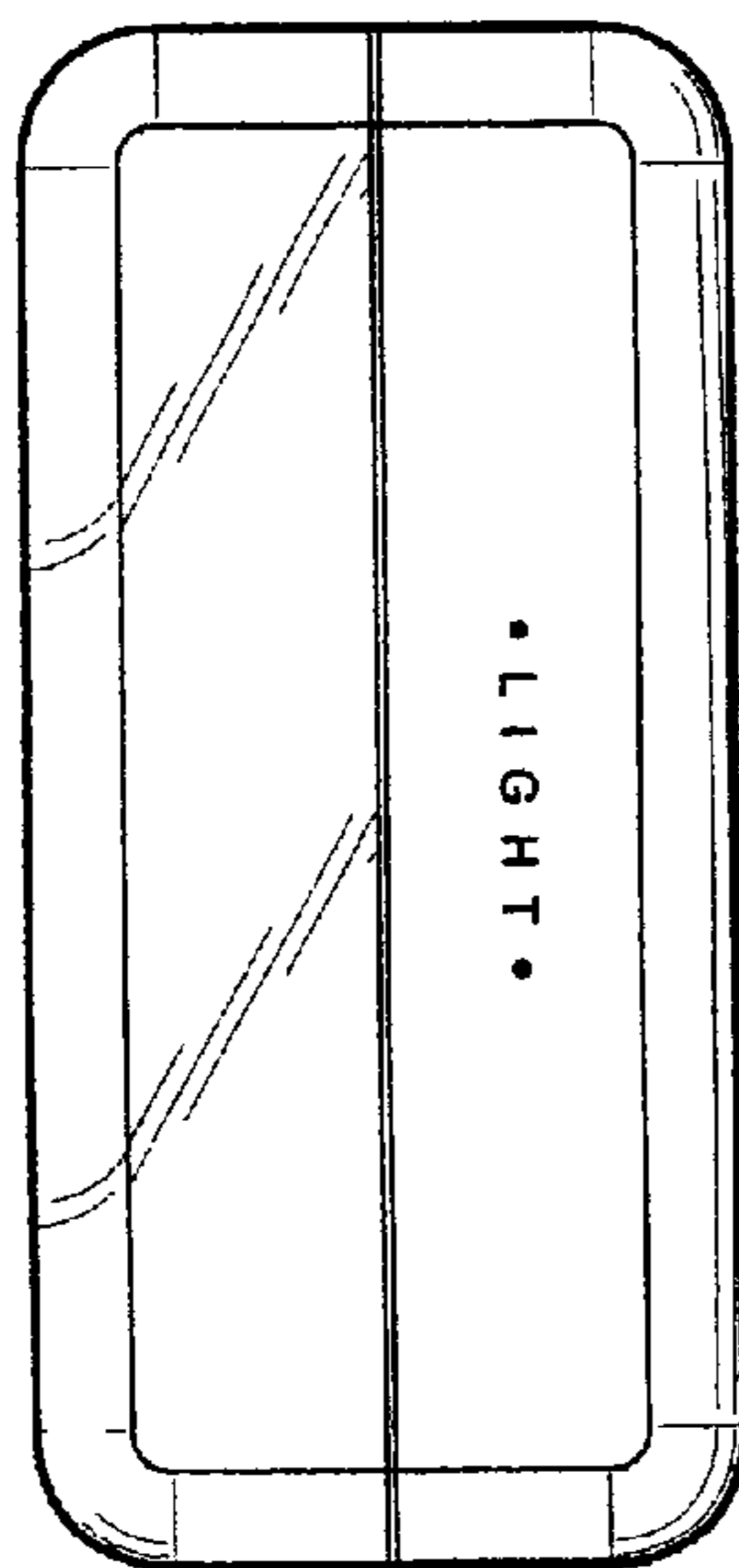


FIG. 6

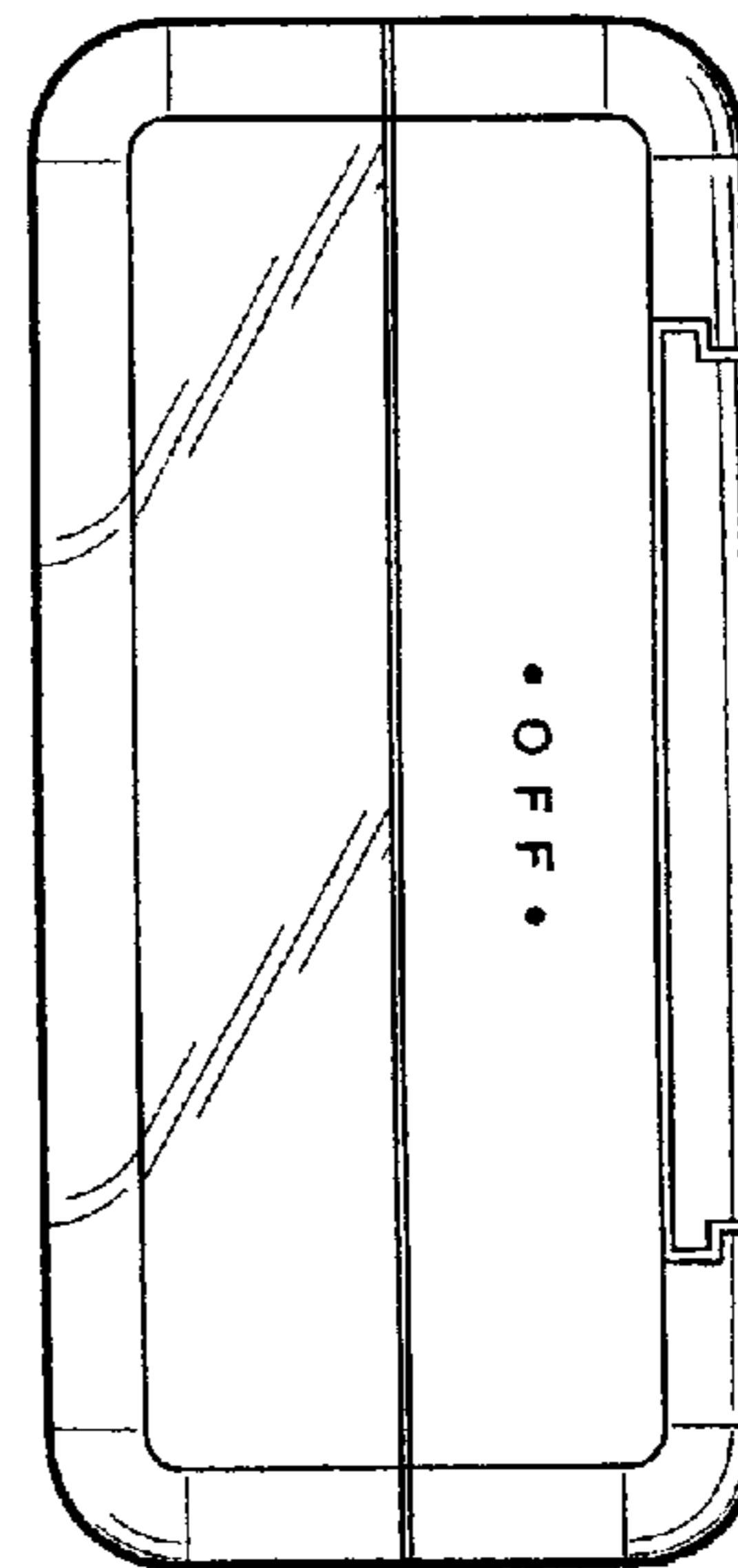


FIG. 7