



US00D516052S

(12) **United States Design Patent**  
**Johnson et al.**

(10) **Patent No.: US D516,052 S**

(45) **Date of Patent: \*\* Feb. 28, 2006**

(54) **PORTABLE LANGUAGE TRANSLATOR**

(76) Inventors: **Japhet W. Johnson**, 18530 NW. 38th Ct., Carol City, FL (US) 33055;  
**Hyacinth Johnson**, 18530 NW. 38th Ct., Carol City, FL (US) 33055

(\*\*) Term: **14 Years**

(21) Appl. No.: **29/226,731**

(22) Filed: **Apr. 1, 2005**

(51) **LOC (8) Cl.** ..... **14-99**

(52) **U.S. Cl.** ..... **D14/158**

(58) **Field of Classification Search** ..... D14/158,  
D14/140, 240, 223, 346, 137, 138, 144, 147,  
D14/341, 344; D10/38, 106; D3/208; D13/168;  
434/169; 704/2, 227; 340/628; 368/72, 140;  
382/182, 187

See application file for complete search history.

(56) **References Cited**

**U.S. PATENT DOCUMENTS**

D278,950 S	*	5/1985	Vaughan	.....	D3/208
4,882,681 A		11/1989	Brotz		
5,063,508 A	*	11/1991	Yamada et al.	.....	704/3
D337,119 S	*	7/1993	Taniguchi	.....	D14/223
D337,589 S	*	7/1993	Wada	.....	D14/223
D360,154 S	*	7/1995	Jung	.....	D10/104
D368,432 S	*	4/1996	Takashi	.....	D10/31
5,583,761 A		12/1996	Chou		
5,604,493 A	*	2/1997	Behlke	.....	341/22
D389,077 S	*	1/1998	Miranda, Jr.	.....	D10/106
D391,230 S	*	2/1998	Thomas	.....	D13/168
D425,518 S		5/2000	Simms		
6,266,642 B1		7/2001	Franz		
D446,526 S	*	8/2001	Evers et al.	.....	D14/441
6,285,289 B1	*	9/2001	Thornblad	.....	340/628

6,356,865 B1		3/2002	Franz		
6,487,180 B1		11/2002	Borgstahl		
D475,026 S	*	5/2003	Buczek et al.	.....	D13/168
D480,375 S	*	10/2003	Cebe et al.	.....	D14/147
D482,340 S	*	11/2003	Cianfanelli	.....	D14/144
D482,664 S	*	11/2003	Hunt et al.	.....	D13/168
D494,145 S	*	8/2004	Klimas	.....	D13/168
D495,309 S	*	8/2004	Hsieh	.....	D14/138
D507,253 S	*	7/2005	Lai et al.	.....	D14/138
2003/0040899 A1	*	2/2003	Ogilvie	.....	704/2

\* cited by examiner

*Primary Examiner*—Lucy Lieberman

*Assistant Examiner*—Austin Murphy

(57) **CLAIM**

The ornamental design for a portable language translator, as shown and described.

**DESCRIPTION**

A portable language translator with two pieces: one shaped like a cellular phone, and the other shape like a wristwatch, with an ear peice attachment. The front of the cellular phone shaped translator has an LCD screen that displays both the spoken language being translated with the appropriate written language translation in the chosen language underneath. FIG. 1 is a frontal view of my design illustrating the display screens and function keys as well as the earphone attachment;

FIG. 2 is a rear perspective view thereof;

FIG. 3 is a side perspective view;

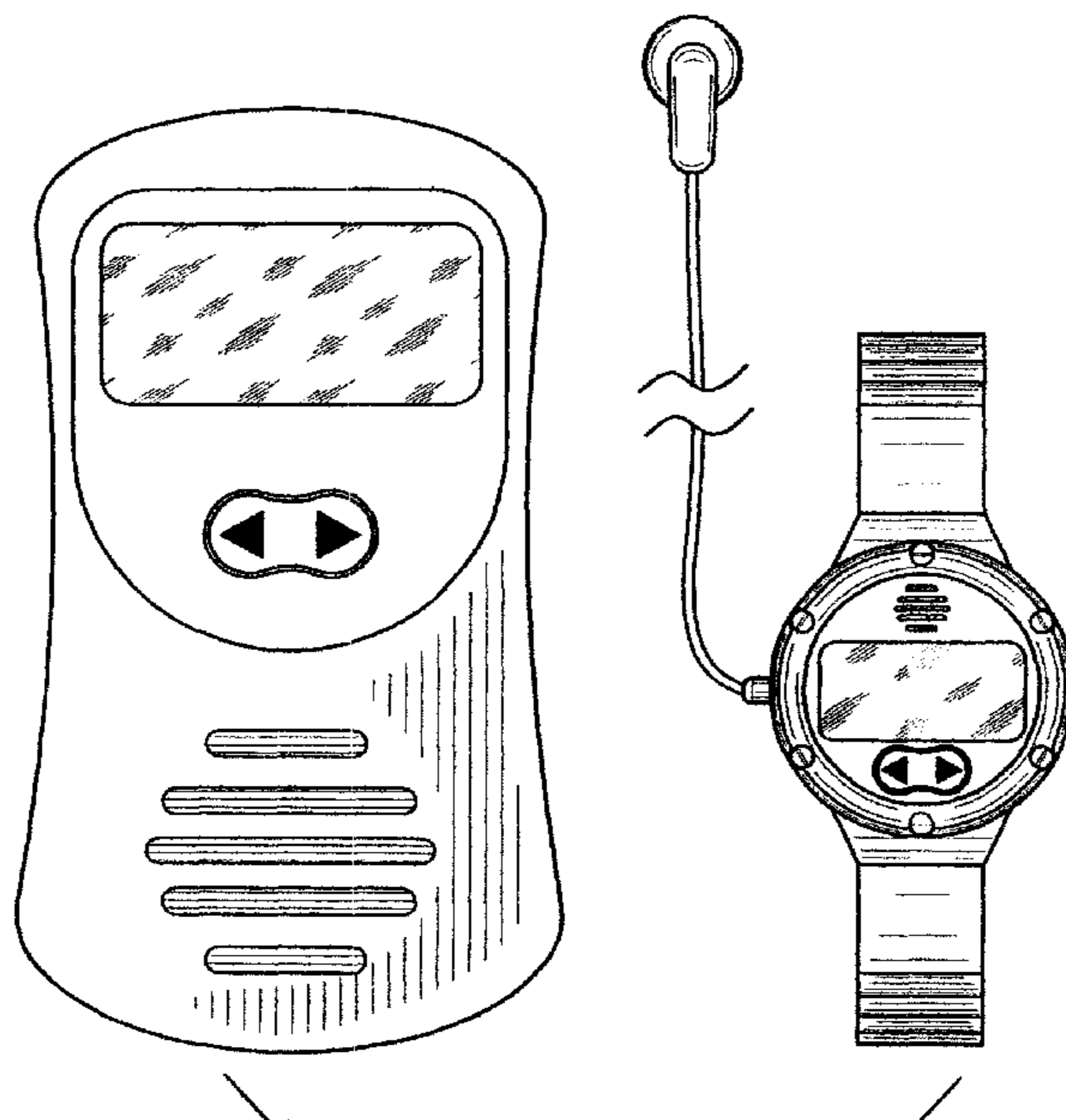
FIG. 4 is a side view from the opposite side;

FIG. 5 is a top plan view thereof; and,

FIG. 6 is a bottom plan view thereof.

The broken away portions shown in FIGS. 1-4 indicate indeterminate length.

**1 Claim, 3 Drawing Sheets**



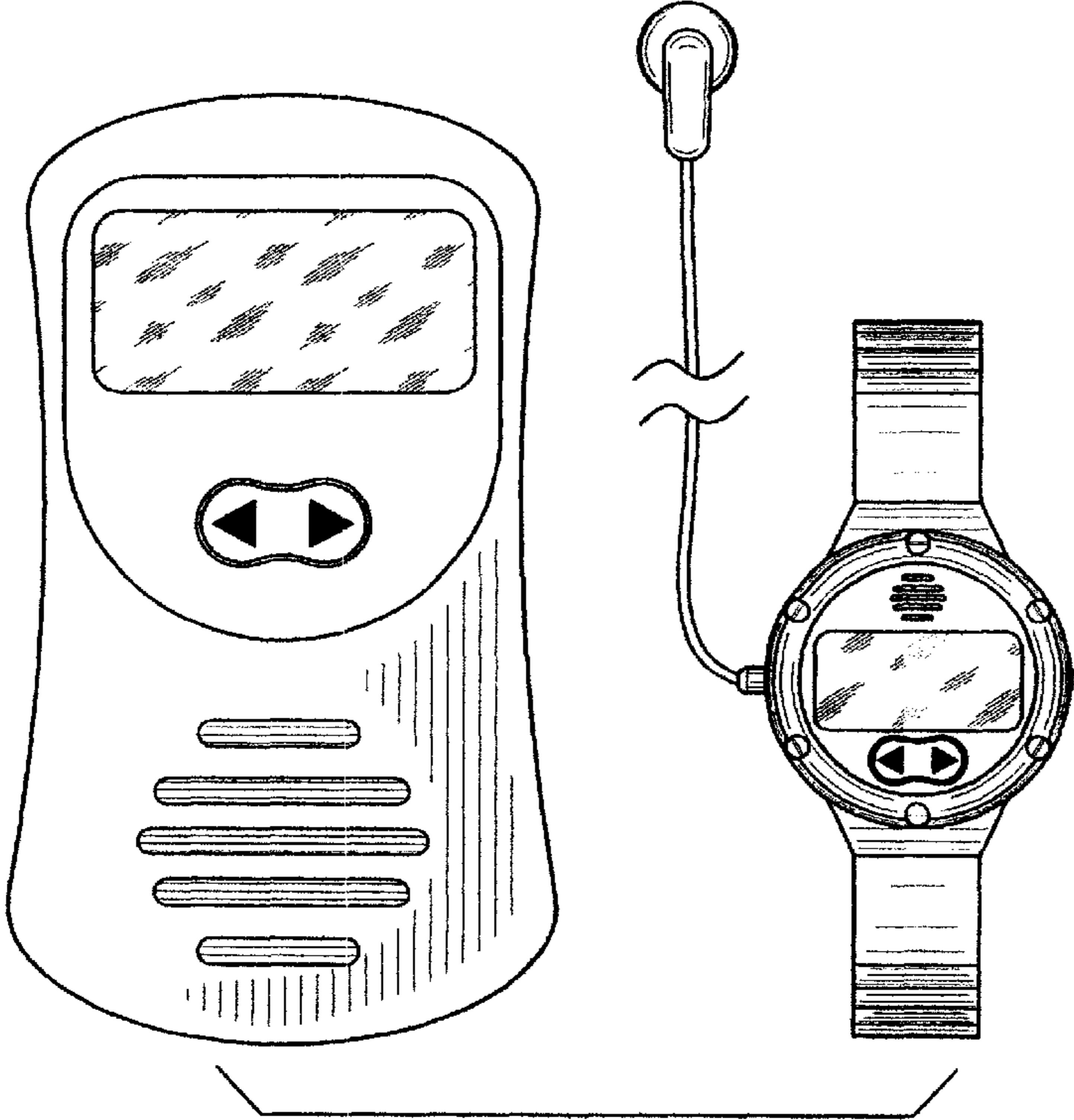


FIG. 1

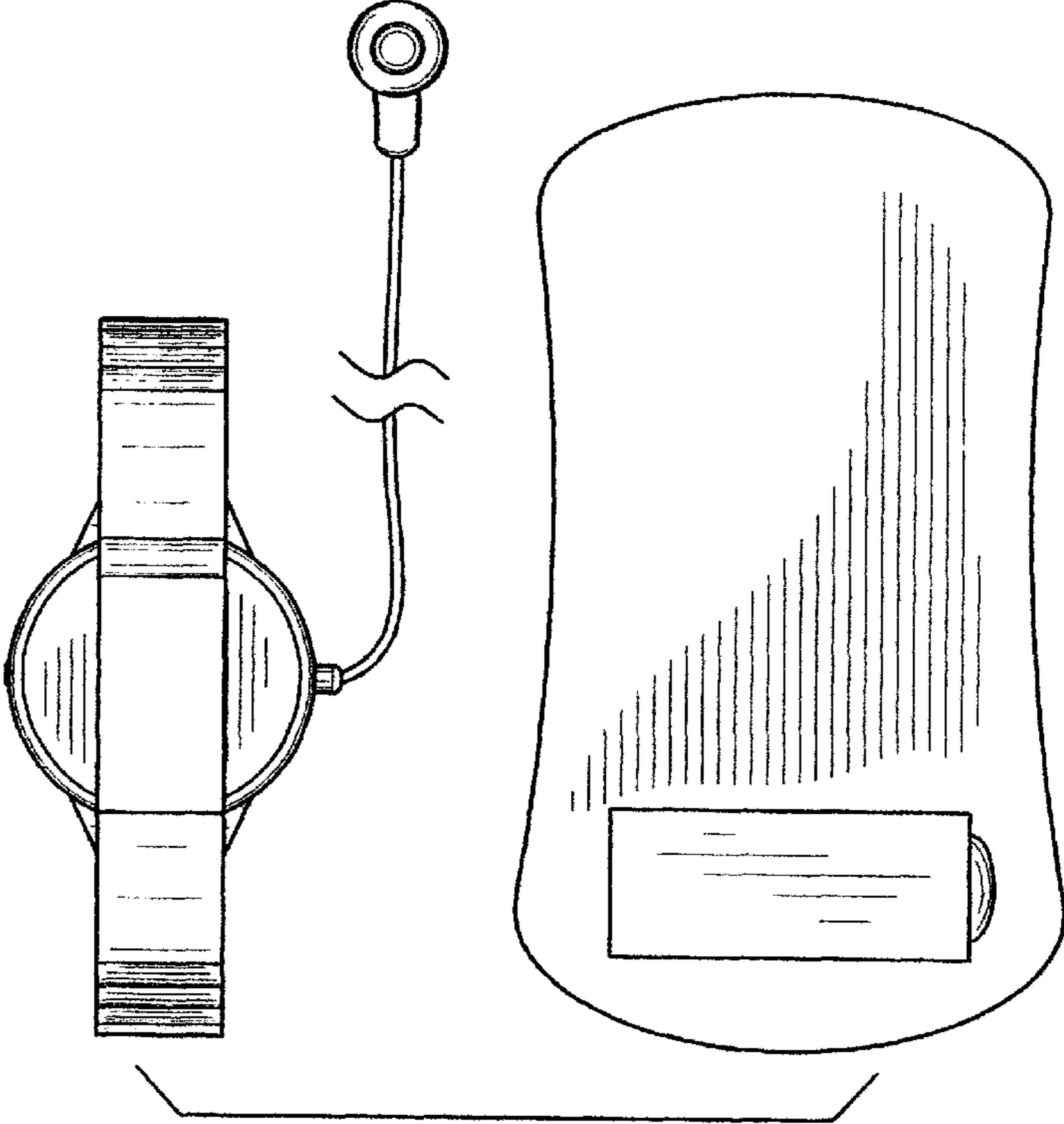


FIG. 2

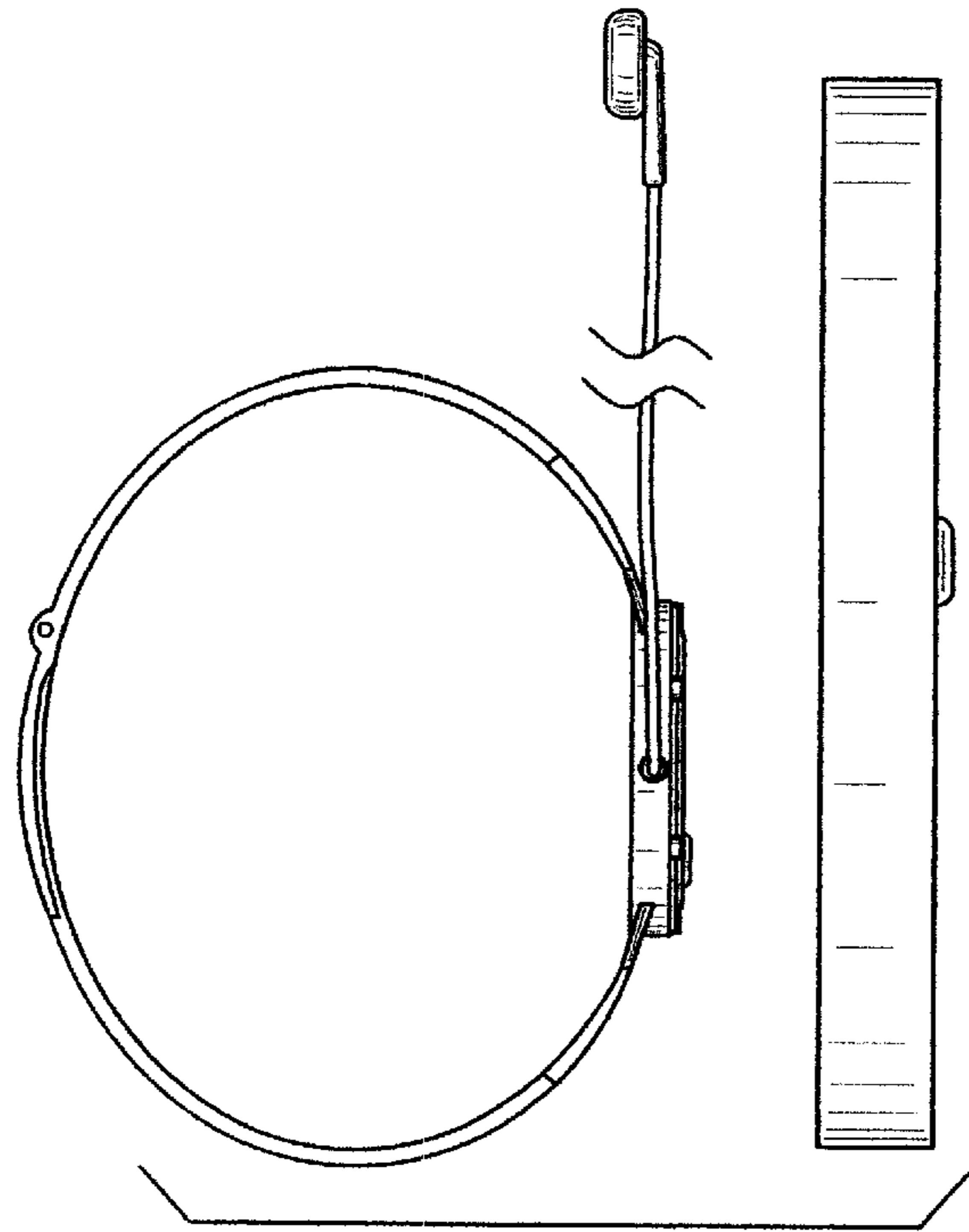


FIG. 3

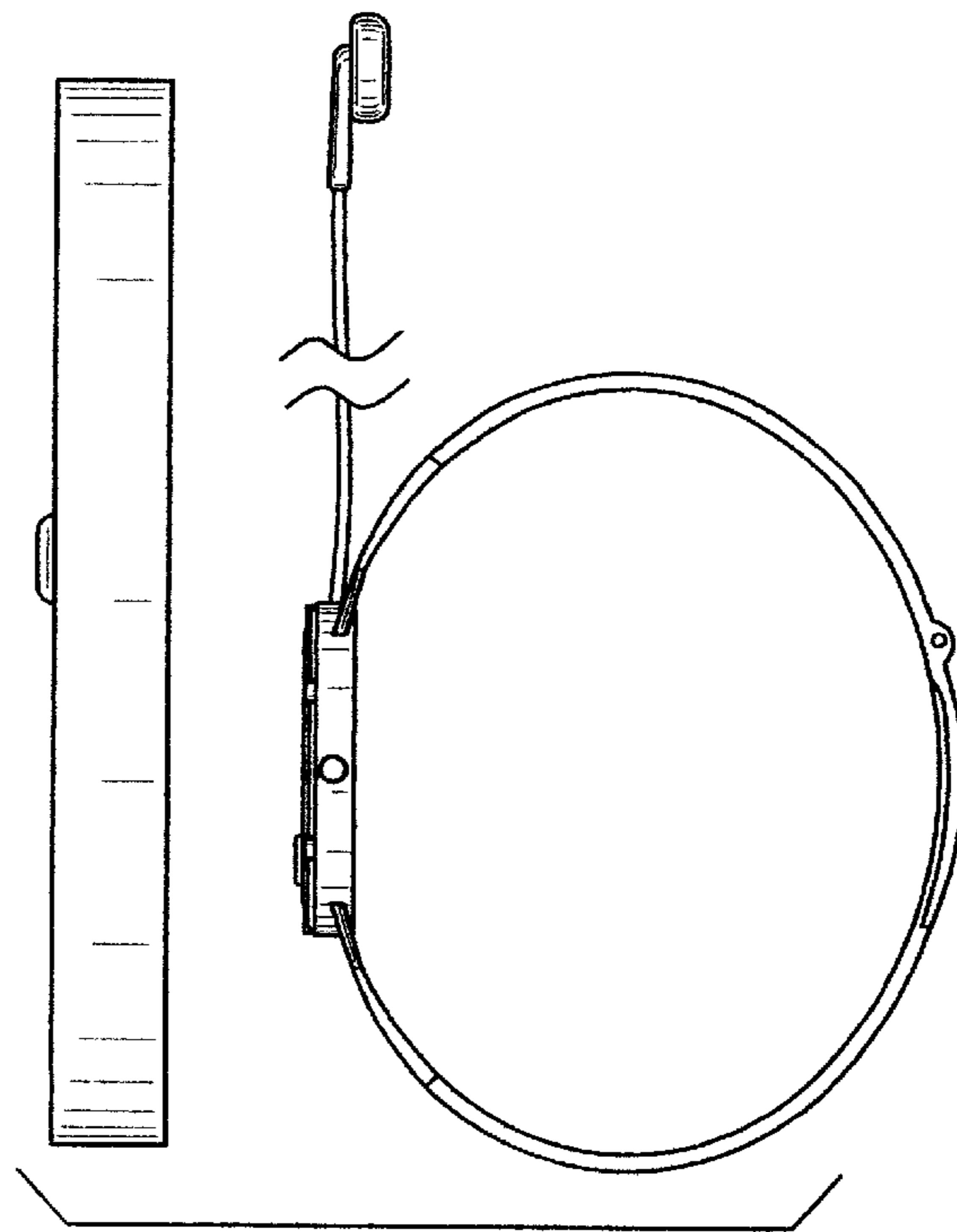


FIG. 4

