



US00D516048S

(12) **United States Design Patent** (10) **Patent No.:** **US D516,048 S**  
**Lee et al.** (45) **Date of Patent:** **\*\* Feb. 28, 2006**

(54) **PHOTOGRAPHABLE FLIP-UP MOBILE PHONE**  
(75) Inventors: **Hsin-Feng Lee**, Taichung (TW);  
**Chih-Hui Chen**, Taichung (TW);  
**Shih-Hsien Yang**, Taichung (TW);  
**Jui-Chang Huang**, Taichung (TW);  
**Chun-Hsiung Lin**, Taichung (TW);  
**Chien-Kuo Chang**, Taichung (TW)  
(73) Assignee: **Asia Optical Co., Inc.**, Taichung (TW)  
(\*\*) Term: **14 Years**  
(21) Appl. No.: **29/199,543**  
(22) Filed: **Feb. 18, 2004**  
(51) **LOC (8) Cl.** ..... **14-03**  
(52) **U.S. Cl.** ..... **D14/138**  
(58) **Field of Classification Search** ..... D14/137,  
D14/138, 218, 147-148, 247-248, 144, 341-347;  
379/433.01-433.13, 419, 434, 428.01-428.04,  
379/420.01-420.04, 440; 455/550.1-90.3;  
D21/517; D13/168; D18/2, 7; 345/168, 169  
See application file for complete search history.

(56) **References Cited**

**U.S. PATENT DOCUMENTS**

5,491,507 A \* 2/1996 Umezawa et al. .... 348/14.02  
5,612,732 A \* 3/1997 Yuyama et al. .... 348/14.01  
D395,300 S \* 6/1998 Yamazaki et al. .... D14/138  
D398,305 S \* 9/1998 Kasbekar et al. .... D14/138  
D401,577 S \* 11/1998 Yamaguchi ..... D14/138  
D443,537 S \* 6/2001 Nix ..... D10/70  
6,254,249 B1 \* 7/2001 Kim et al. .... 362/109  
D448,744 S \* 10/2001 Yu et al. .... D14/138  
D451,485 S \* 12/2001 Moss ..... D14/138  
6,396,924 B1 \* 5/2002 Suso et al. .... 379/433.13  
D458,594 S \* 6/2002 Jang ..... D14/138  
D460,429 S \* 7/2002 Kolwaite ..... D14/138  
6,438,228 B1 \* 8/2002 Jeong et al. .... 379/433.13  
D473,580 S \* 4/2003 Nakahara et al. .... D16/208  
D475,688 S \* 6/2003 Pierce et al. .... D14/138

D477,296 S \* 7/2003 Minamide ..... D14/138  
D485,249 S \* 1/2004 Liao et al. .... D14/138  
D485,818 S \* 1/2004 Yabe et al. .... D14/138  
D486,462 S \* 2/2004 Lim ..... D14/138  
6,697,117 B1 \* 2/2004 Park ..... 348/373  
D487,443 S \* 3/2004 Yoon ..... D14/138  
D487,444 S \* 3/2004 Yoon ..... D14/138  
D487,453 S \* 3/2004 Ribeiro et al. .... D14/240  
D490,065 S \* 5/2004 Shimazu et al. .... D14/138  
D491,547 S \* 6/2004 Cho ..... D14/138  
D491,907 S \* 6/2004 Ogawa ..... D14/138  
D492,275 S \* 6/2004 Lin et al. .... D14/138  
2002/0058527 A1 \* 5/2002 Kawasaki et al. .... 455/550  
2002/0187818 A1 \* 12/2002 Kang ..... 455/575  
2003/0162564 A1 \* 8/2003 Kimura et al. .... 455/556  
2004/0058724 A1 \* 3/2004 Choi ..... 455/575.7  
2004/0077384 A1 \* 4/2004 Makino et al. .... 455/575.1

**FOREIGN PATENT DOCUMENTS**

JP D1155098 \* 10/2002

\* cited by examiner

*Primary Examiner*—Jeffrey Asch

(74) *Attorney, Agent, or Firm*—Bacon & Thomas, PLLC

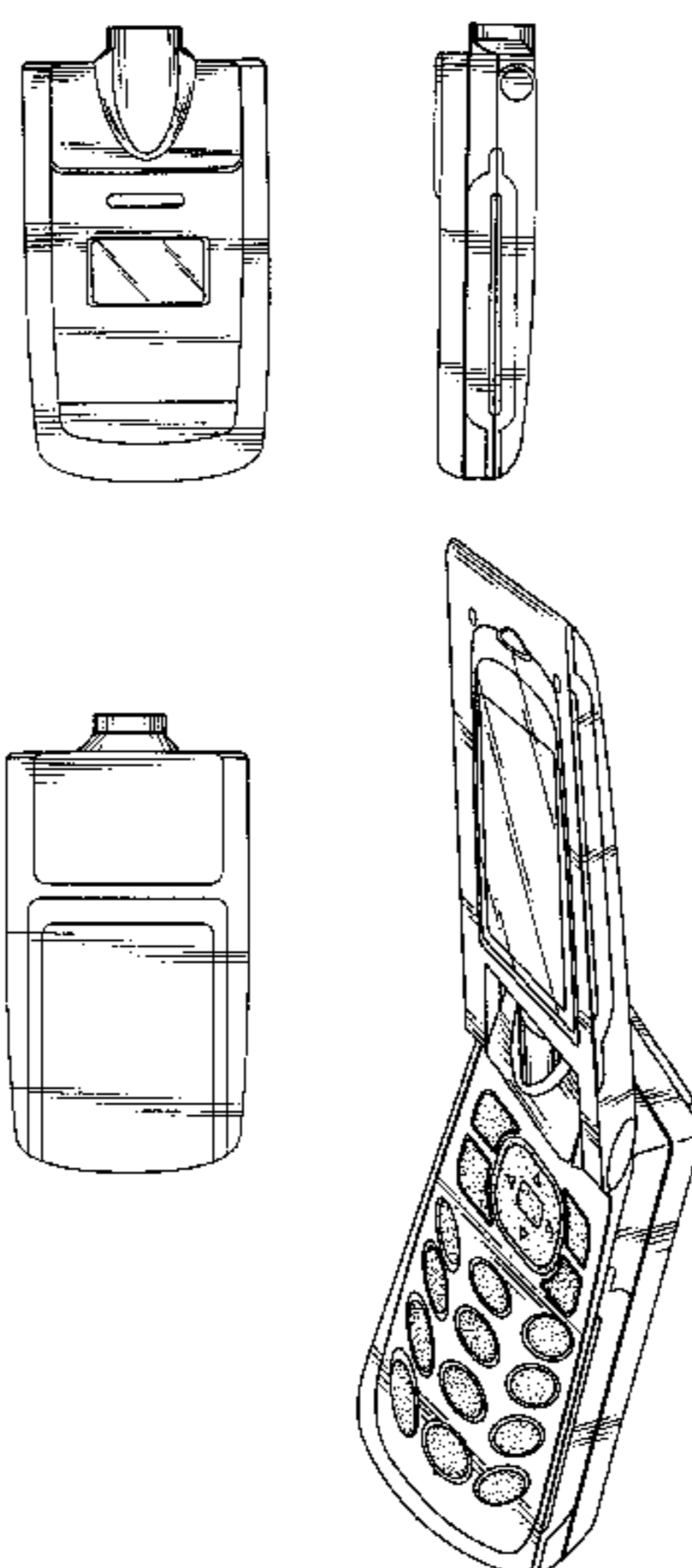
(57) **CLAIM**

The ornamental design for “photographable flip-up mobile phone,” as shown and described.

**DESCRIPTION**

FIG. 1 shows a perspective view of the present design.  
FIG. 2 shows a right side elevational view of the present design.  
FIG. 3 shows a top plan view of the present design.  
FIG. 4 shows a front elevational view of the present design.  
FIG. 5 shows a bottom plan view of the present design.  
FIG. 6 shows a left side elevational view of the present design.  
FIG. 7 shows a rear elevational view of the present design; and,  
FIG. 8 shows a perspective view of the present design in use.

**1 Claim, 4 Drawing Sheets**



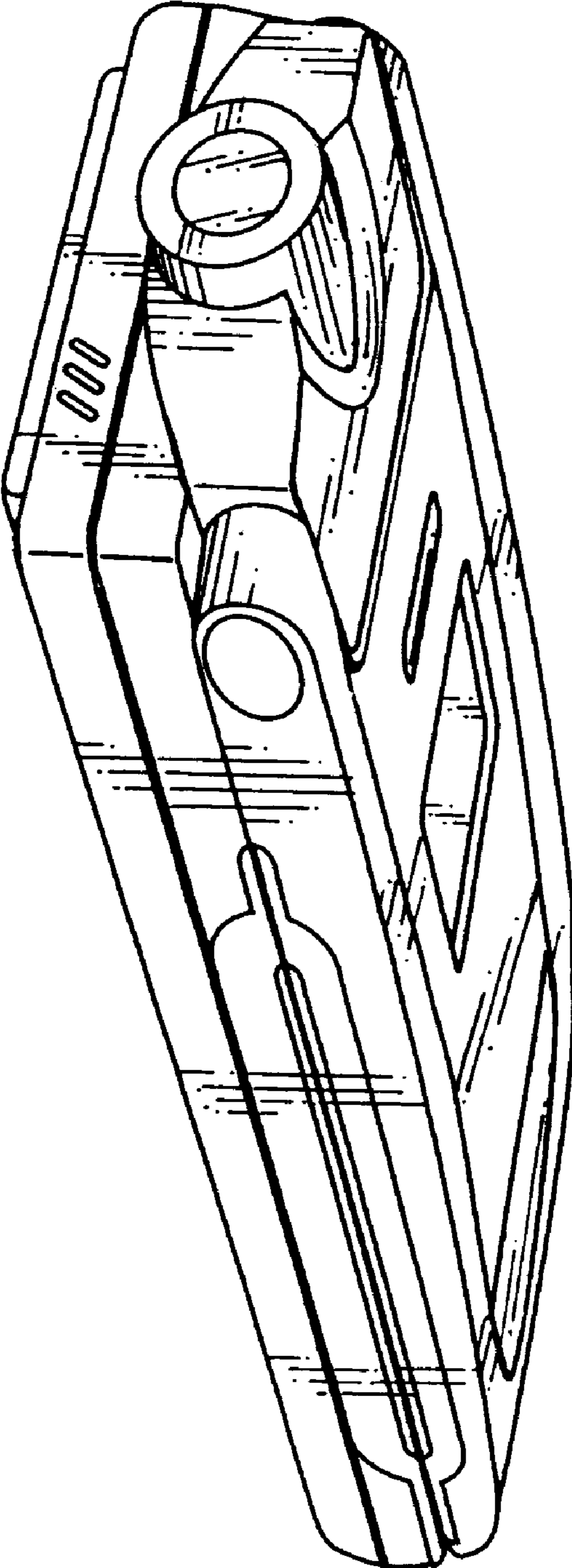


FIG. 1

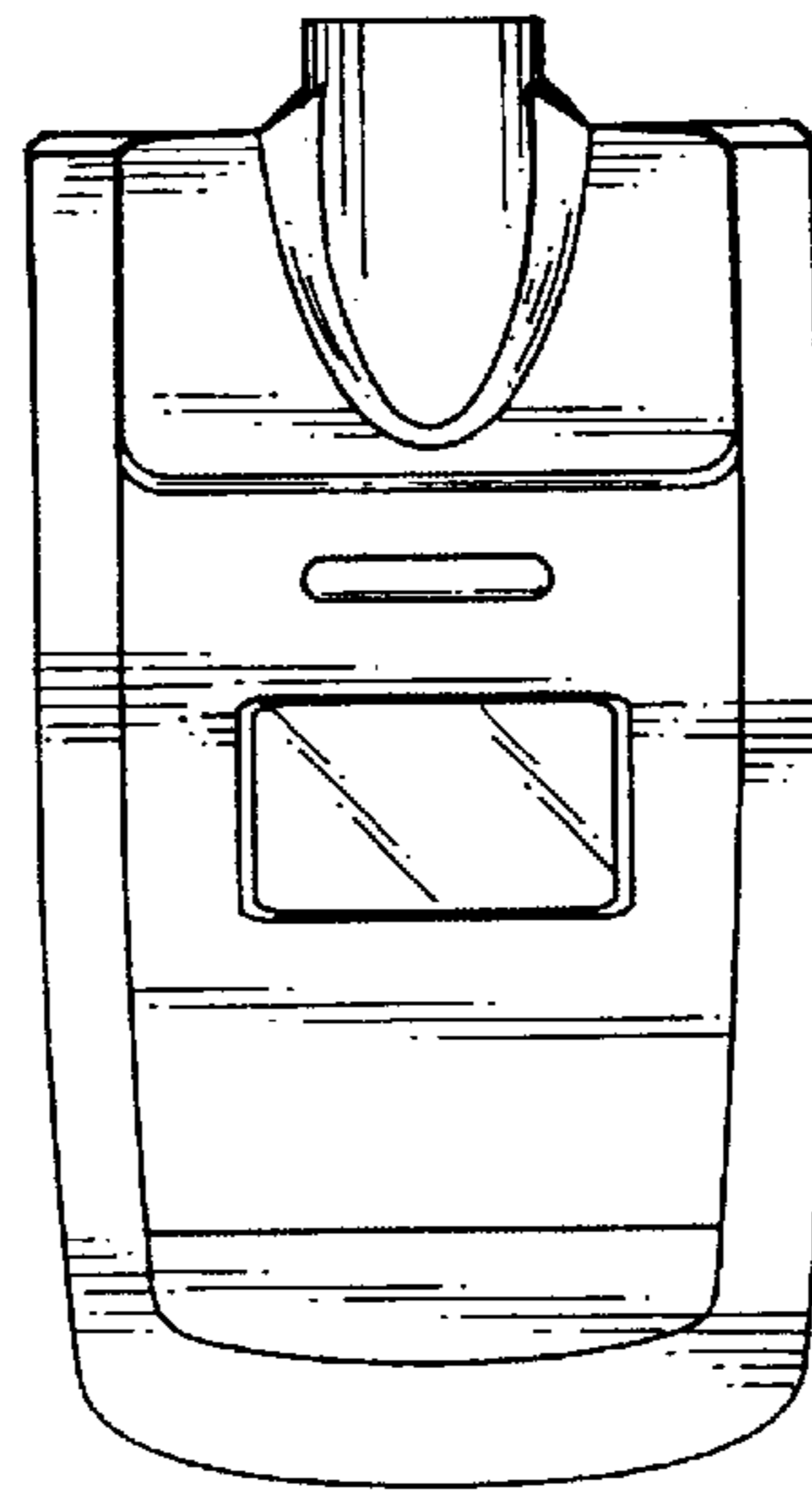


FIG. 2

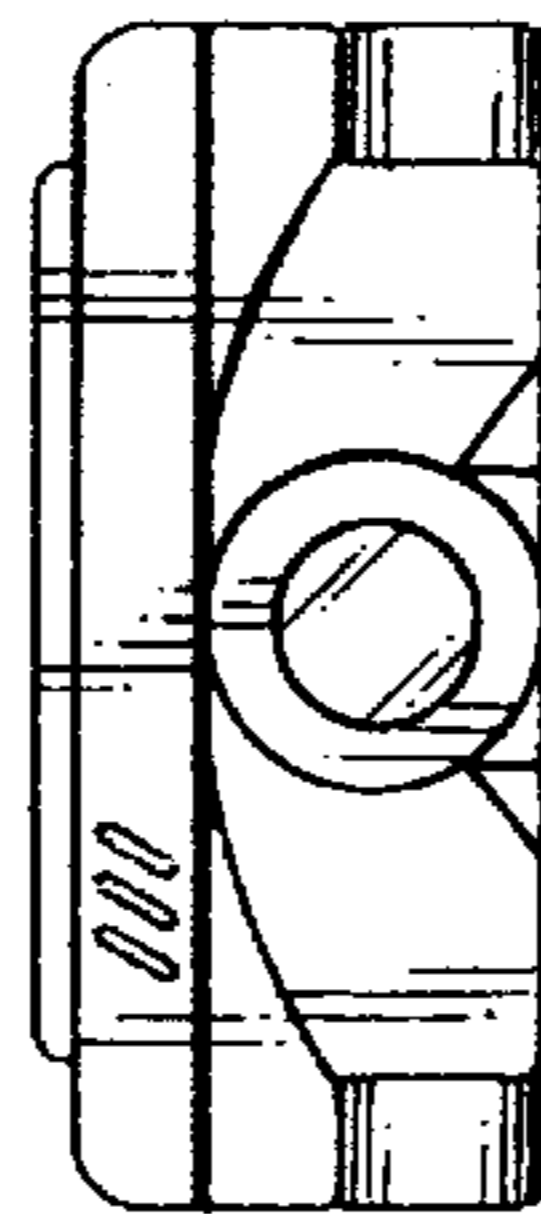


FIG. 3

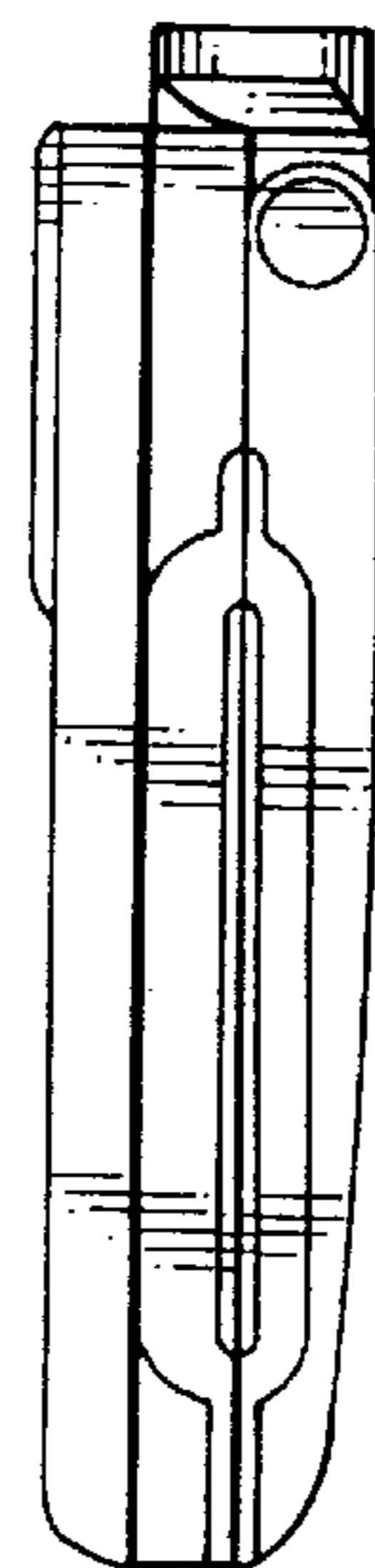


FIG. 4

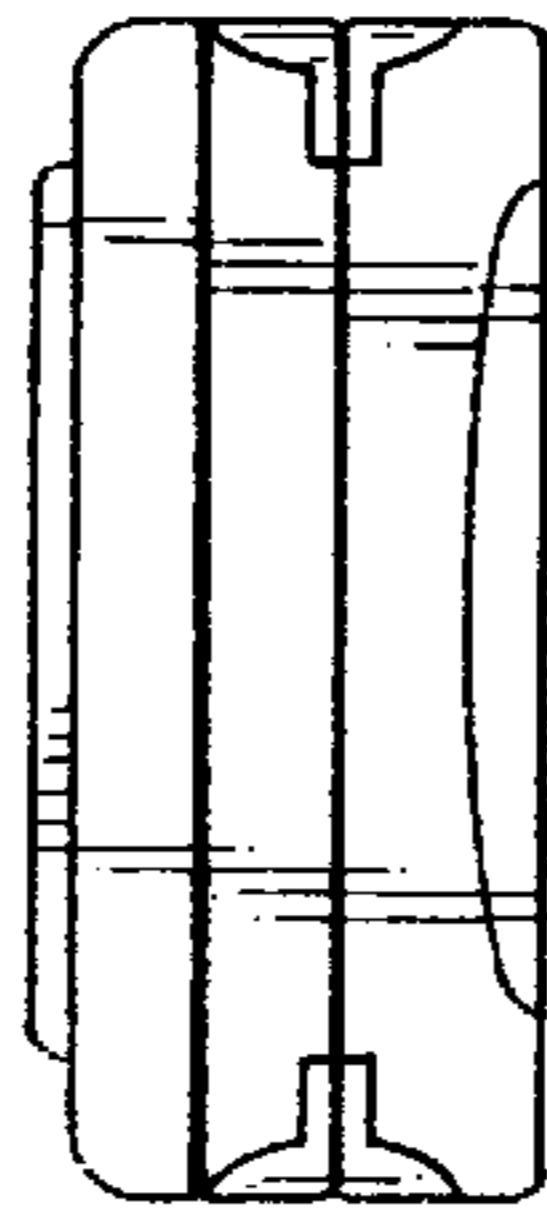


FIG. 5

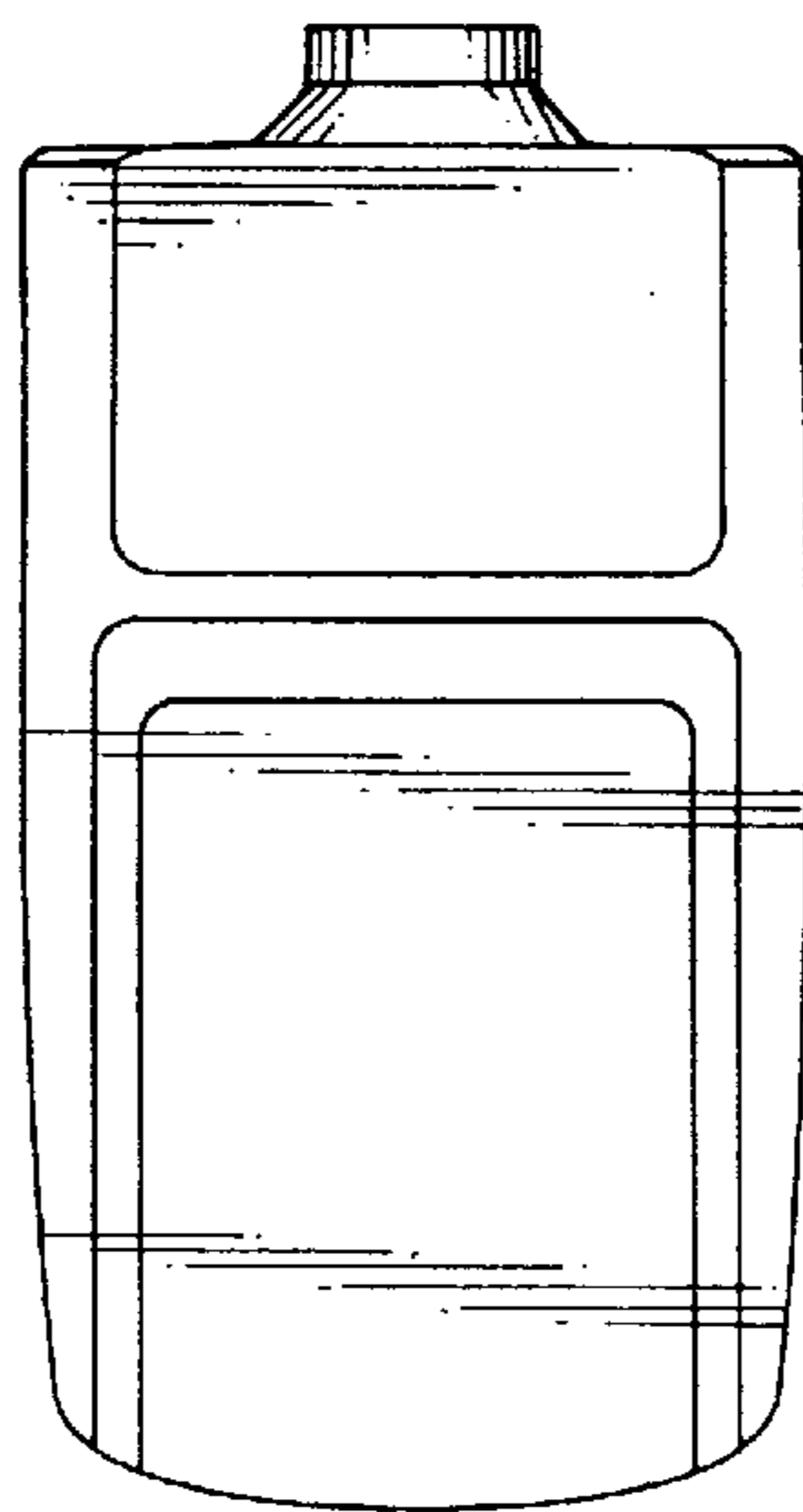


FIG. 6

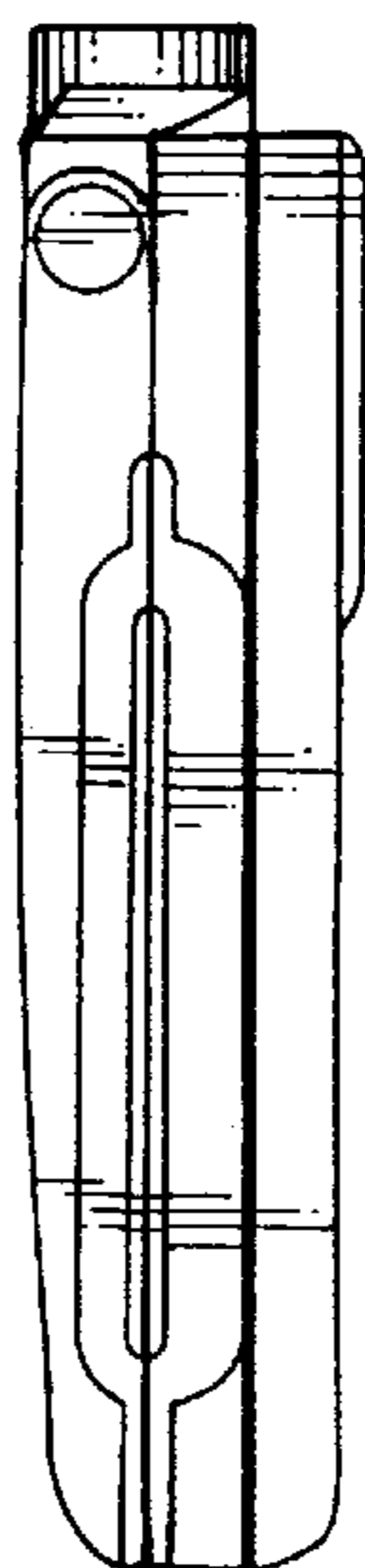


FIG. 7

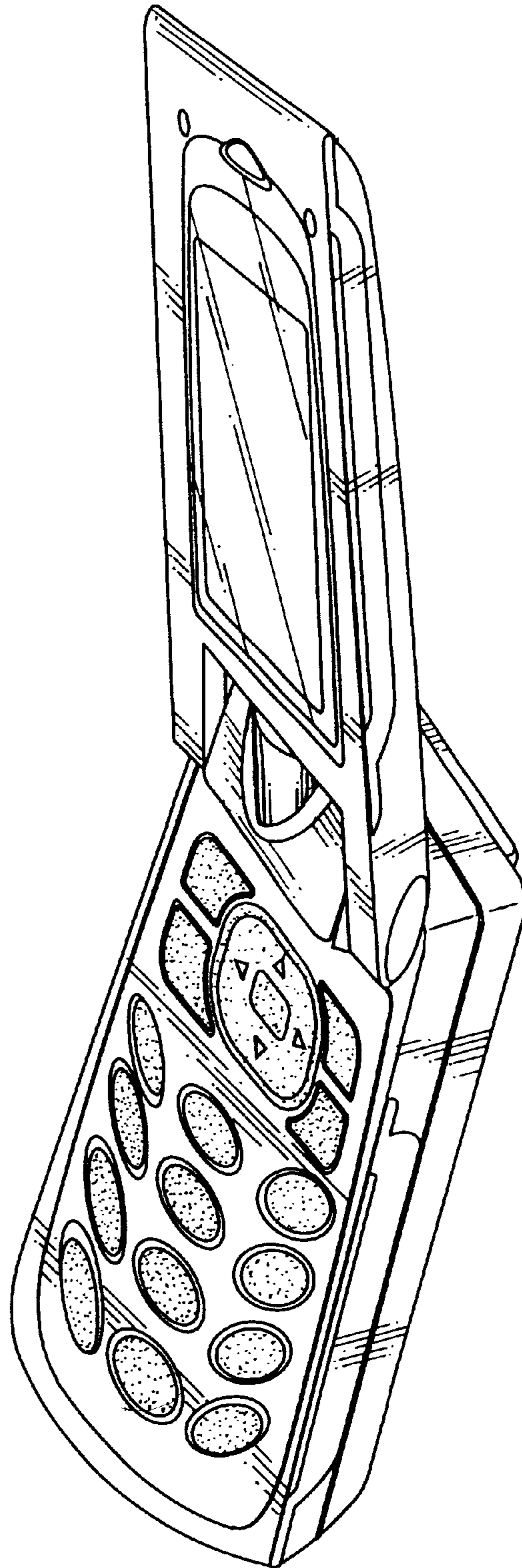


FIG. 8