



US00D516045S

(12) **United States Design Patent**
Street

(10) **Patent No.: US D516,045 S**

(45) **Date of Patent: ** Feb. 28, 2006**

(54) **AUTOMOBILE WINDOW SWITCH**

(76) **Inventor: Peter J. Street**, 121 N. Campbell St.,
Chicago, IL (US) 60612

(**) **Term: 14 Years**

(21) **Appl. No.: 29/220,222**

(22) **Filed: Dec. 28, 2004**

(51) **LOC (8) Cl. 13-03**

(52) **U.S. Cl. D13/171**

(58) **Field of Classification Search** D13/162,
D13/171; D8/353; 174/66; 200/5 A, 412,
200/513, 520, 530, 537, 552, 237, 275, 276.1,
200/296, 297, 310, 302.1-302.3, 314, 329,
200/333, 341; 220/241; 315/129, 291-296;
307/10.1

See application file for complete search history.

(56) **References Cited**

U.S. PATENT DOCUMENTS

D310,202 S	8/1990	Suck	
D317,137 S	* 5/1991	Kulikowski et al.	D10/108
5,533,636 A	* 7/1996	Reiker	220/3.8
5,631,454 A	* 5/1997	Hubacher et al.	200/50.01
5,813,519 A	* 9/1998	Gotoh	200/313

6,313,731 B1	* 11/2001	Vance	338/185
6,365,855 B1	* 4/2002	Sutter et al.	200/314
6,657,316 B1	* 12/2003	Smith et al.	307/10.1
6,700,565 B2	* 3/2004	Niiyama	345/172
6,984,234	* 5/2005	Sottong	200/5 R

* cited by examiner

Primary Examiner—Stella Reid

Assistant Examiner—Selina Sikder

(74) *Attorney, Agent, or Firm*—Mark Ashley Crossley;
Crossley Patent Law

(57) **CLAIM**

The ornamental design for an automobile window switch, as shown and described.

DESCRIPTION

FIG. 1 is a front elevation view of an automobile window switch showing my new design;
FIG. 2 is a rear elevation view of an automobile window switch showing my new design;
FIG. 3 is a left side elevation view of FIG. 1;
FIG. 4 is a bottom plan view; and,
FIG. 5 is a left side isometric view of an automobile window switch showing my new design.

1 Claim, 3 Drawing Sheets

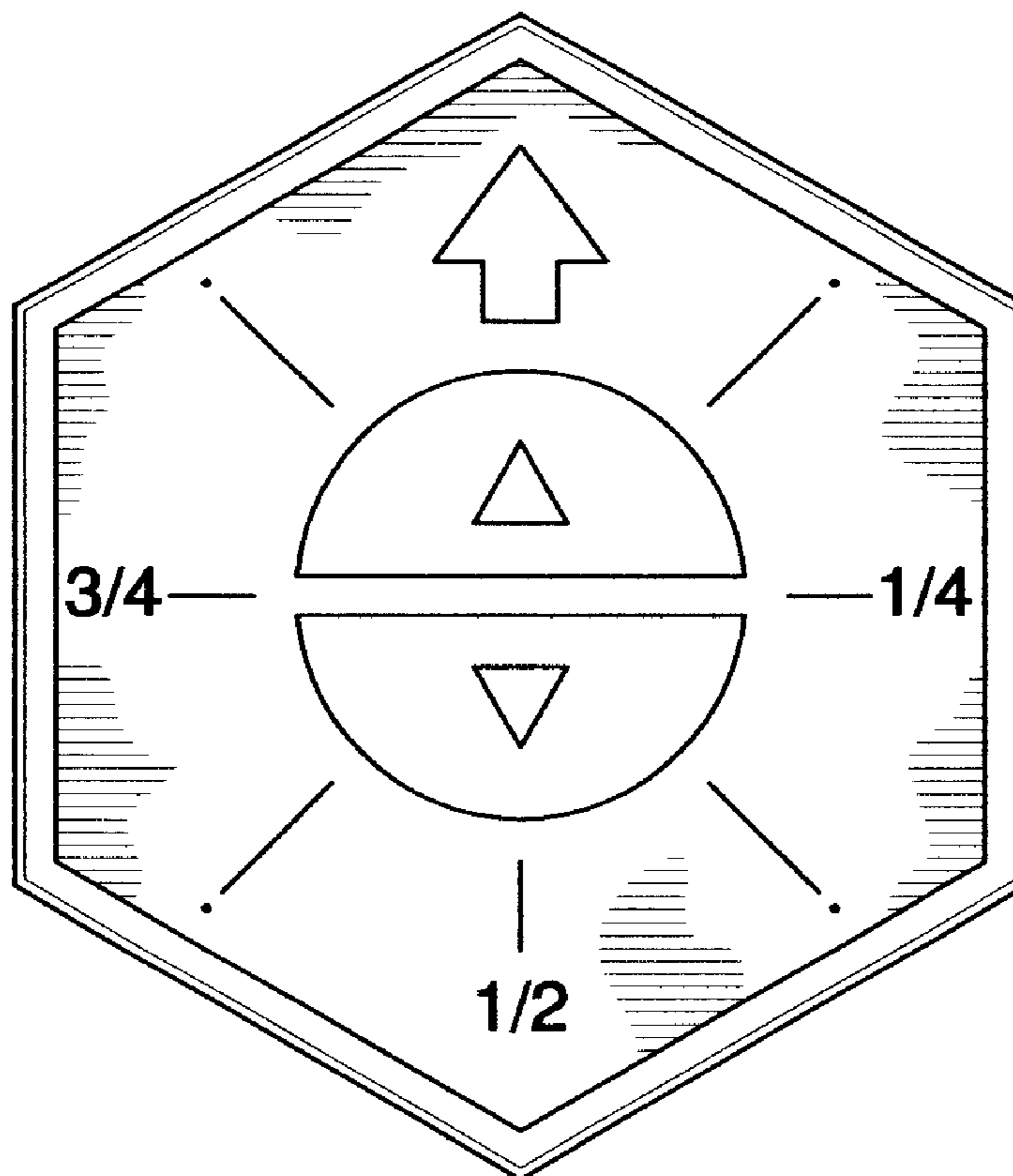


FIG.1

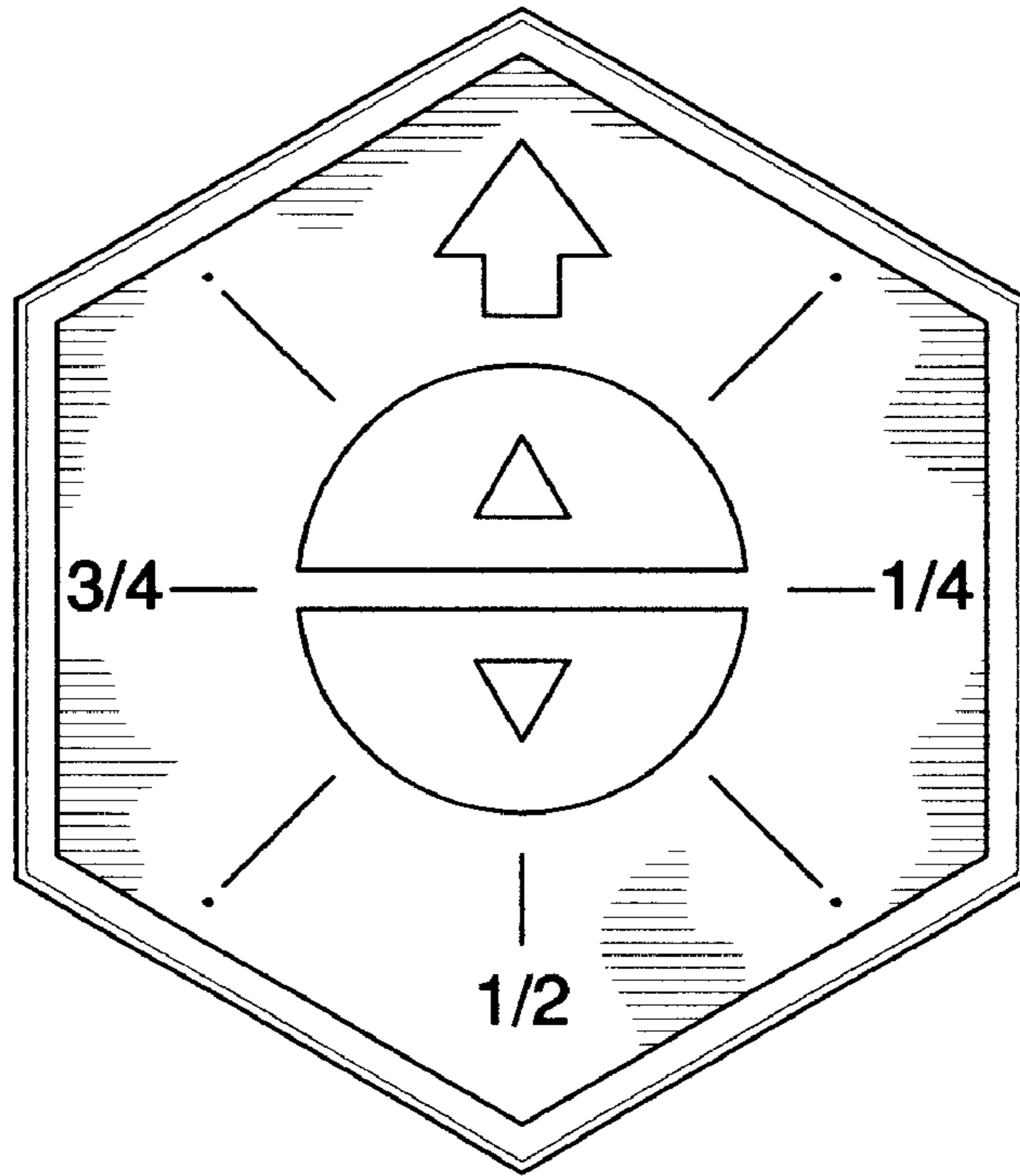


FIG.2

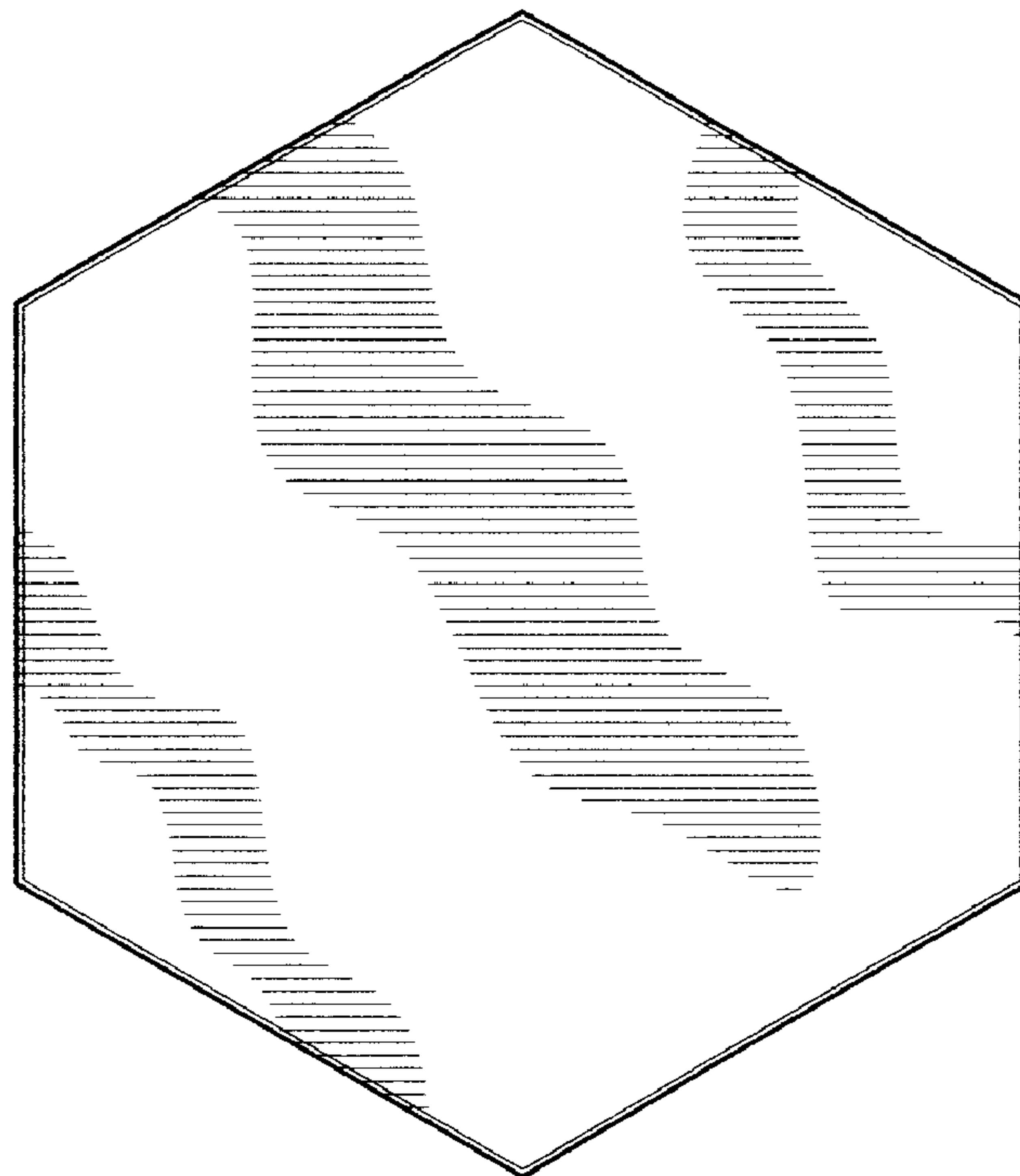


FIG.3

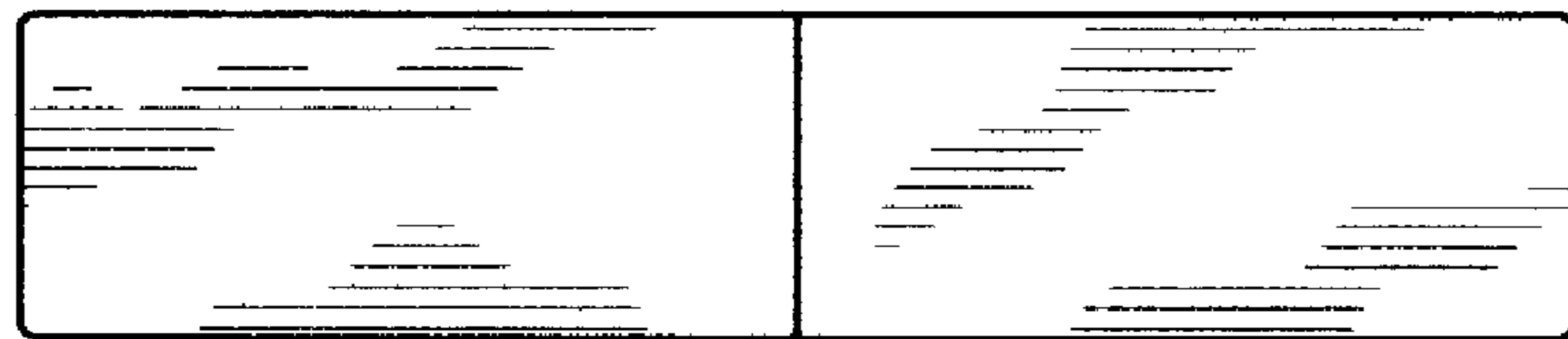
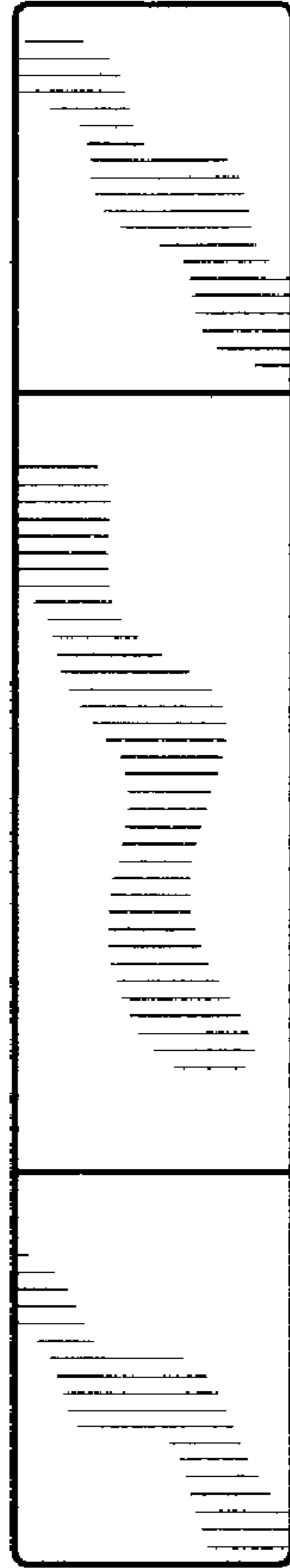


FIG.4

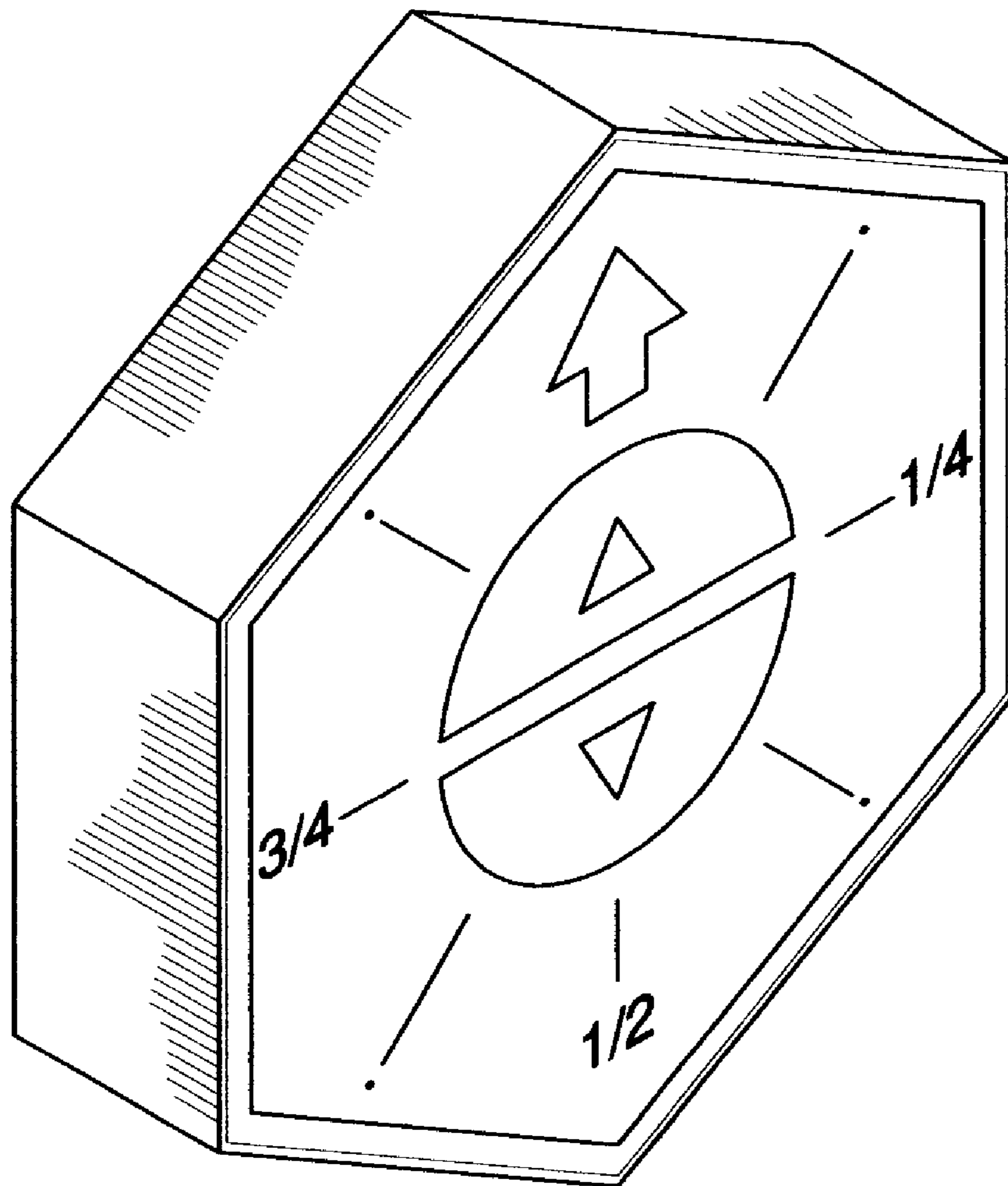


FIG.5