



US00D516043S

(12) **United States Design Patent** (10) **Patent No.:** **US D516,043 S**  
**Jacoby et al.** (45) **Date of Patent:** **\*\* Feb. 28, 2006**

(54) **PHOTOCELL AND INFRARED RECEIVER**

(75) Inventors: **Elliot G. Jacoby**, Glenside, PA (US);  
**Noel Mayo**, Philadelphia, PA (US);  
**Logan Mackay**, Whitehall, PA (US)

(73) Assignee: **Lutron Research Co., Ind.**,  
Coopersburg, PA (US)

(\*\*) Term: **14 Years**

(21) Appl. No.: **29/213,447**

(22) Filed: **Sep. 17, 2004**

(51) **LOC (8) Cl.** ..... **13-03**

(52) **U.S. Cl.** ..... **D13/165; D13/171**

(58) **Field of Classification Search** ..... D13/165,  
D13/171; D8/310; D10/108, 116, 118; 200/5 A,  
200/412, 513, 520, 530, 537, 552, 237, 275,  
200/276.1, 296, 297, 310, 302.1-302.3, 314,  
200/329, 333, 341; 250/201.1, 221, 222.1,  
250/214; 315/158

See application file for complete search history.

(56) **References Cited**

**U.S. PATENT DOCUMENTS**

3,560,690	A	*	2/1971	Luce et al.	.....	200/295
4,125,767	A	*	11/1978	Silver	.....	250/214 D
D369,348	S	*	4/1996	Hu	.....	D13/165
5,813,519	A	*	9/1998	Gotoh	.....	200/313
D400,422	S	*	11/1998	Dennison et al.	.....	D8/305
D401,910	S	*	12/1998	Fooks et al.	.....	D13/165
D402,269	S	*	12/1998	Waters	.....	D13/171
D402,634	S	*	12/1998	Matsuhashi	.....	D13/158
D454,337	S	*	3/2002	Robinson	.....	D13/165
6,872,899	B2	*	3/2005	Oshio et al.	.....	200/43.13

\* cited by examiner

*Primary Examiner*—Stella Reid  
*Assistant Examiner*—Selina Sikder

(74) *Attorney, Agent, or Firm*—Drinker Biddle & Reath  
LLP

(57) **CLAIM**

The ornamental design for a photocell and infrared receiver,  
as shown and described.

**DESCRIPTION**

FIG. 1 is a perspective view of a photocell and infrared  
receiver showing a first embodiment of our new design.

FIG. 2 is a rear side view thereof.

FIG. 3 is a front side view thereof.

FIG. 4 is a right side view thereof, the left side view being  
a mirror image.

FIG. 5 is a top plan view thereof.

FIG. 6 is a bottom plan view thereof.

FIG. 7 is a perspective view of a photocell and infrared  
receiver showing a second embodiment of our new design.

FIG. 8 is a top plan view thereof, the remaining views being  
identical to those of the first embodiment.

FIG. 9 is a rear side view of a photocell and infrared receiver  
according to third and fourth embodiments of our new  
design including an LED but otherwise similar to the first  
and second embodiments, respectively, the remaining views  
of the third and fourth embodiments being identical to those  
of the first and second embodiments.

FIG. 10 is a perspective view of a photocell and infrared  
receiver according to a fifth embodiment of our new design.

FIG. 11 is a rear side view thereof.

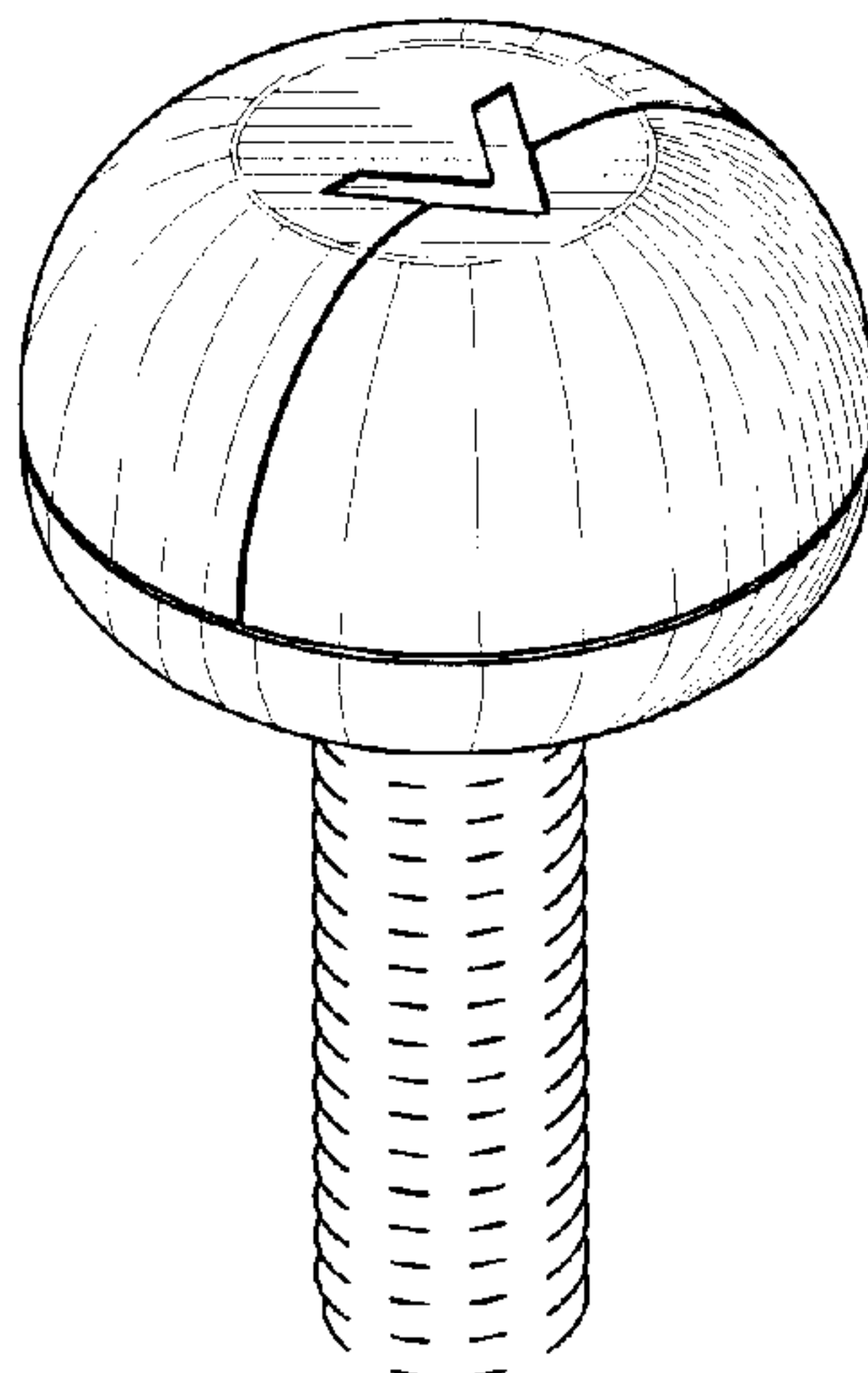
FIG. 12 is a front side view thereof.

FIG. 13 is a top plan view thereof, the bottom plan view  
being identical to the bottom plan view of the first embodi-  
ment; and,

FIG. 14 is a right side view thereof, the left side view being  
a mirror image.

The portions of the drawings appearing in broken line are for  
environment only and do not form a part of the design.

**1 Claim, 9 Drawing Sheets**



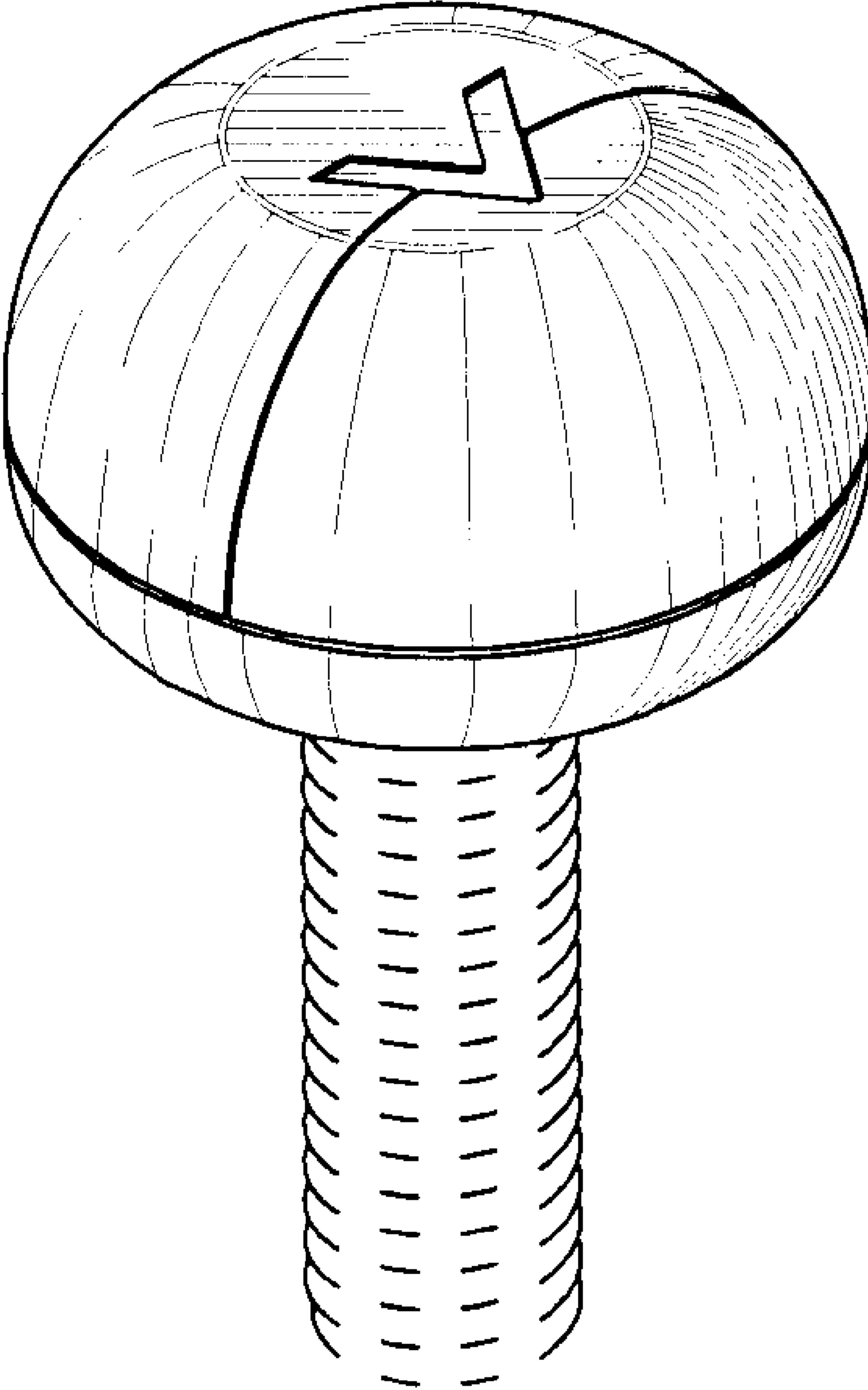


FIG. 1

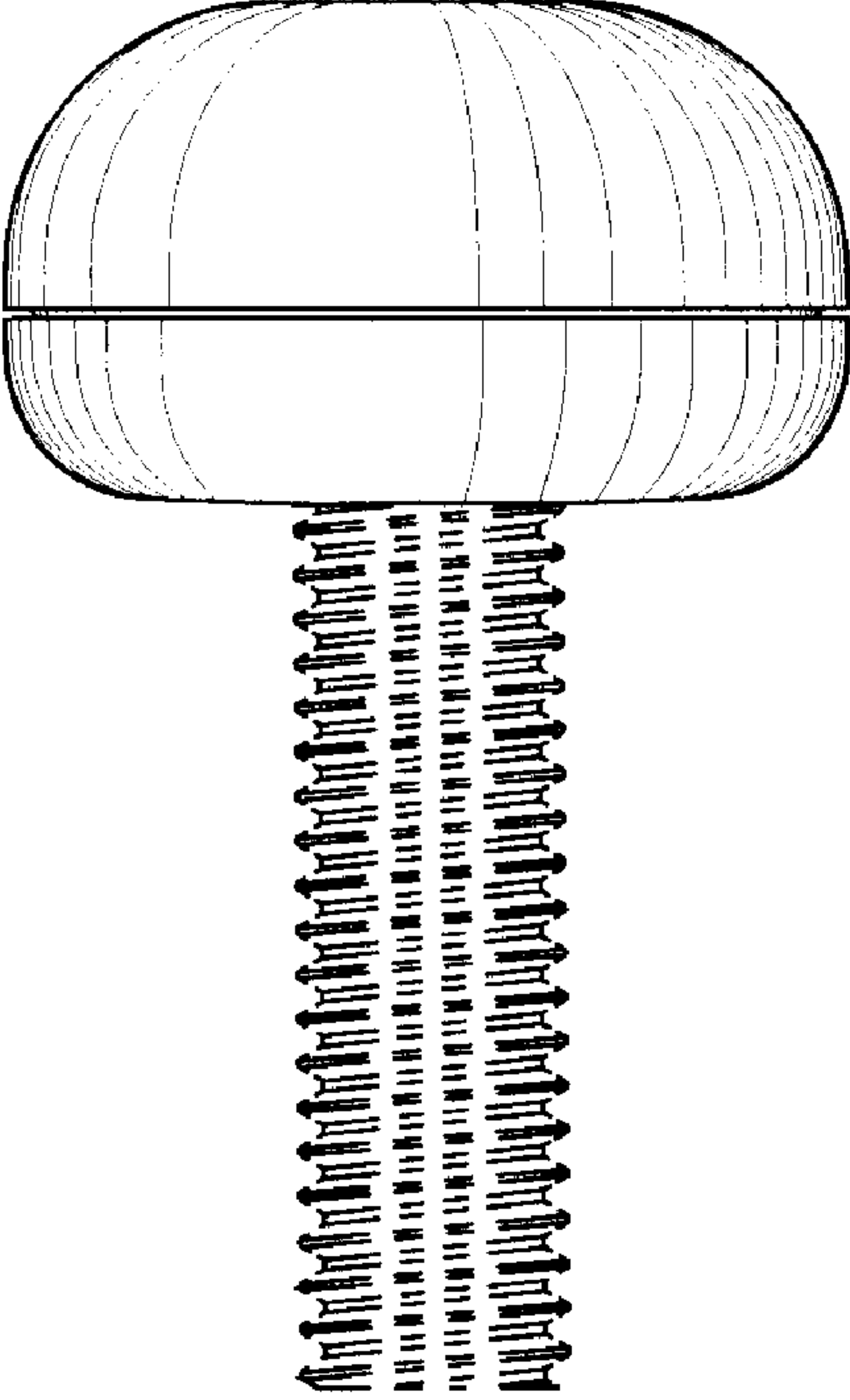


FIG. 2

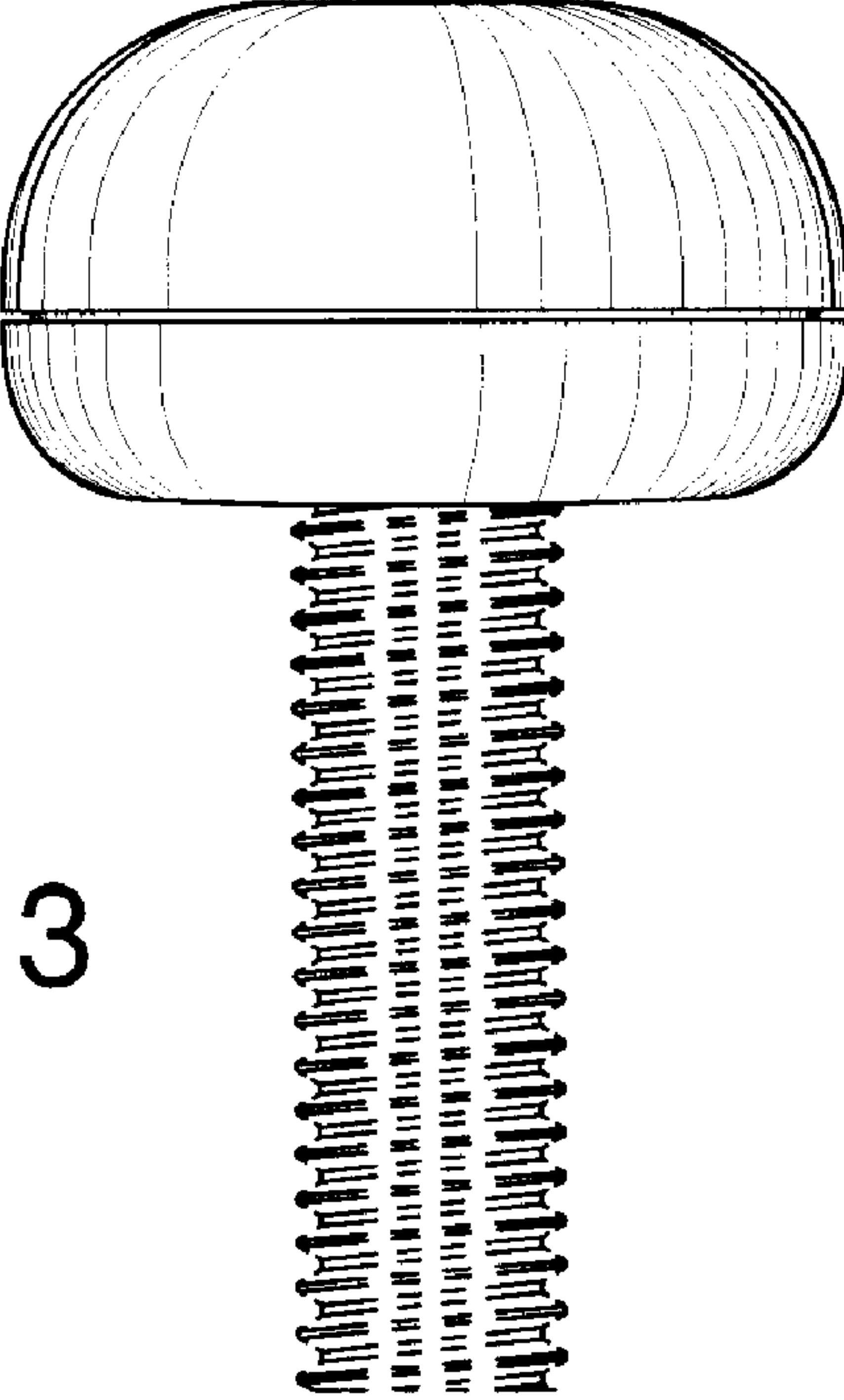


FIG. 3

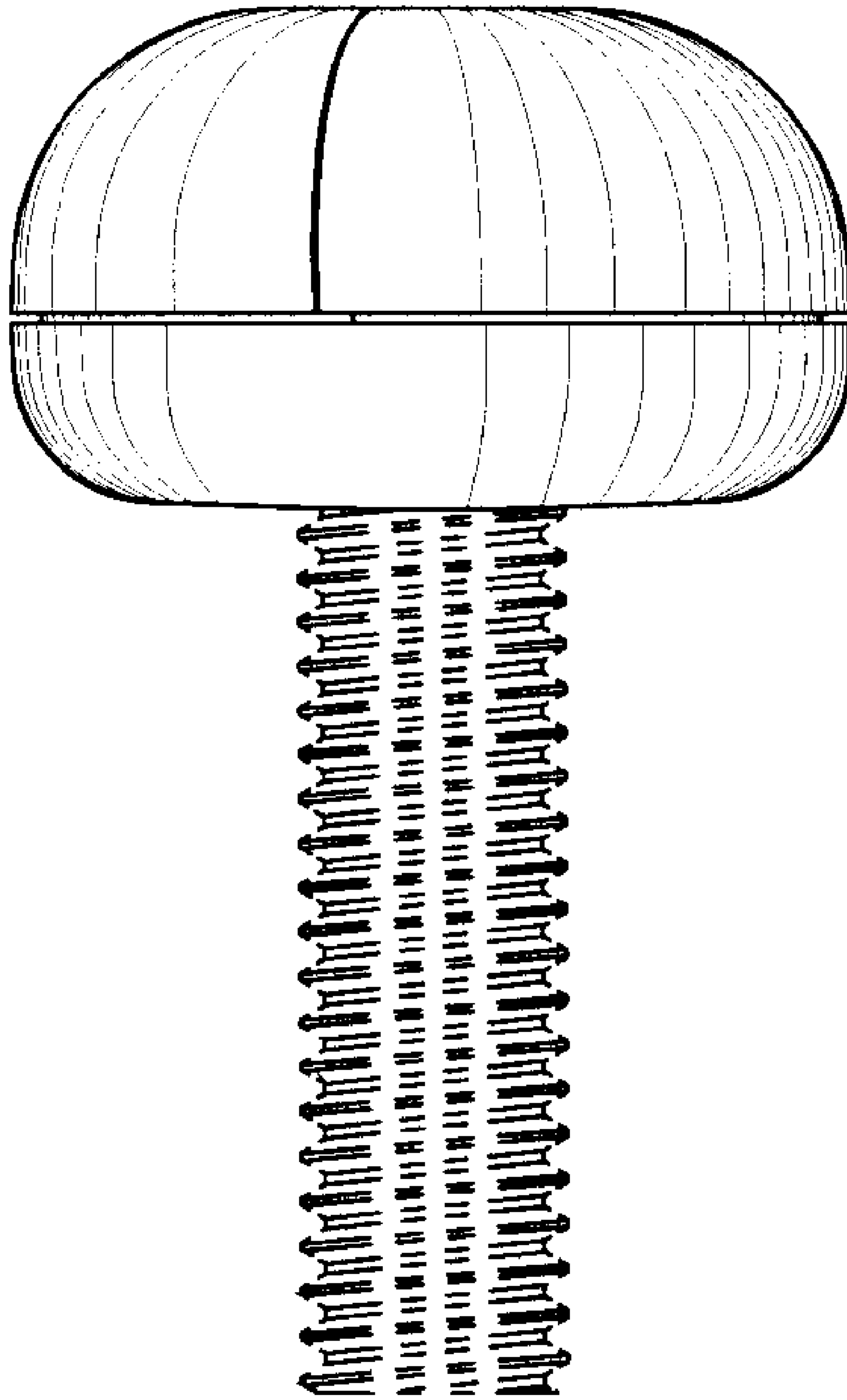


FIG. 4

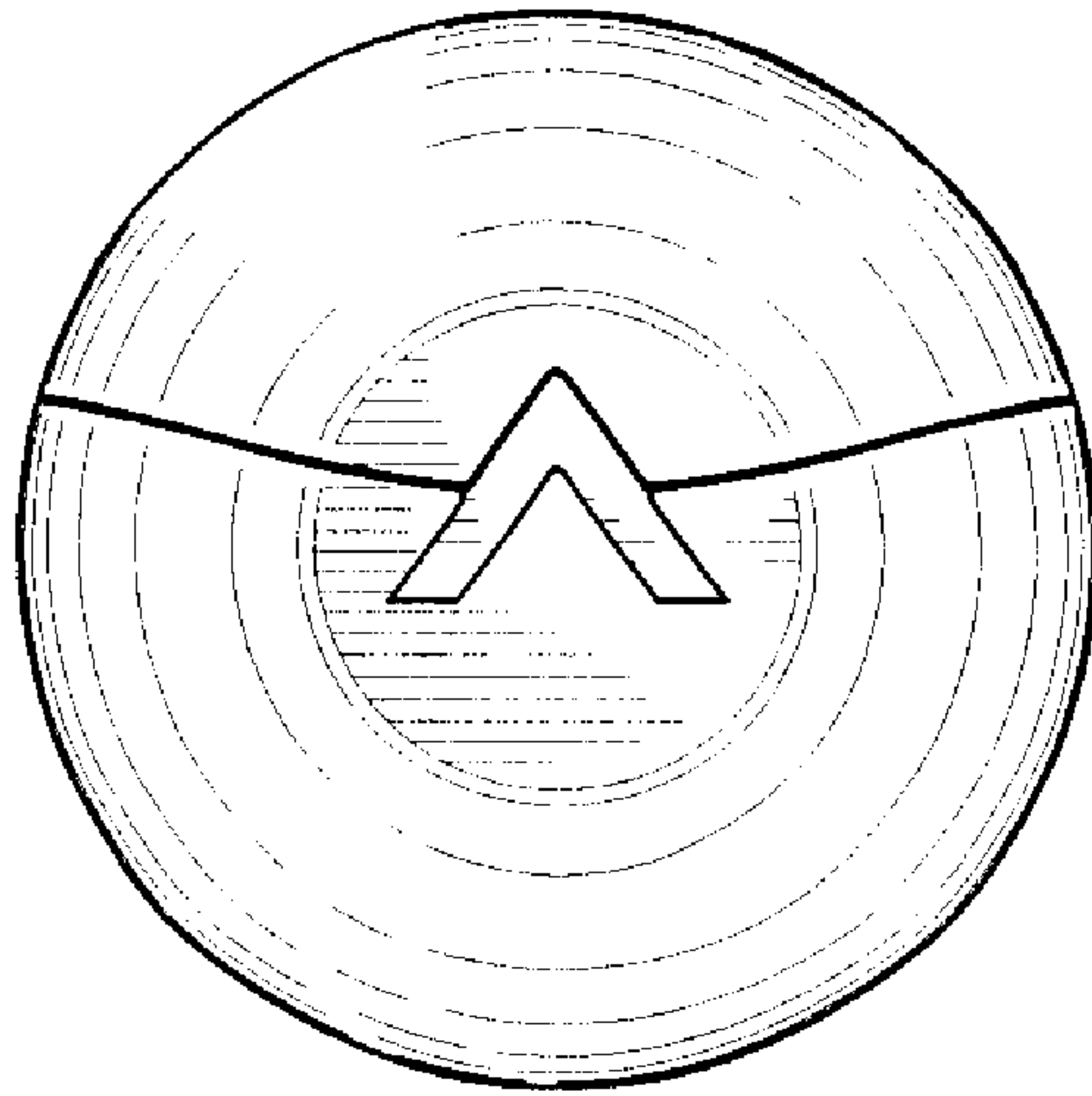


FIG. 5

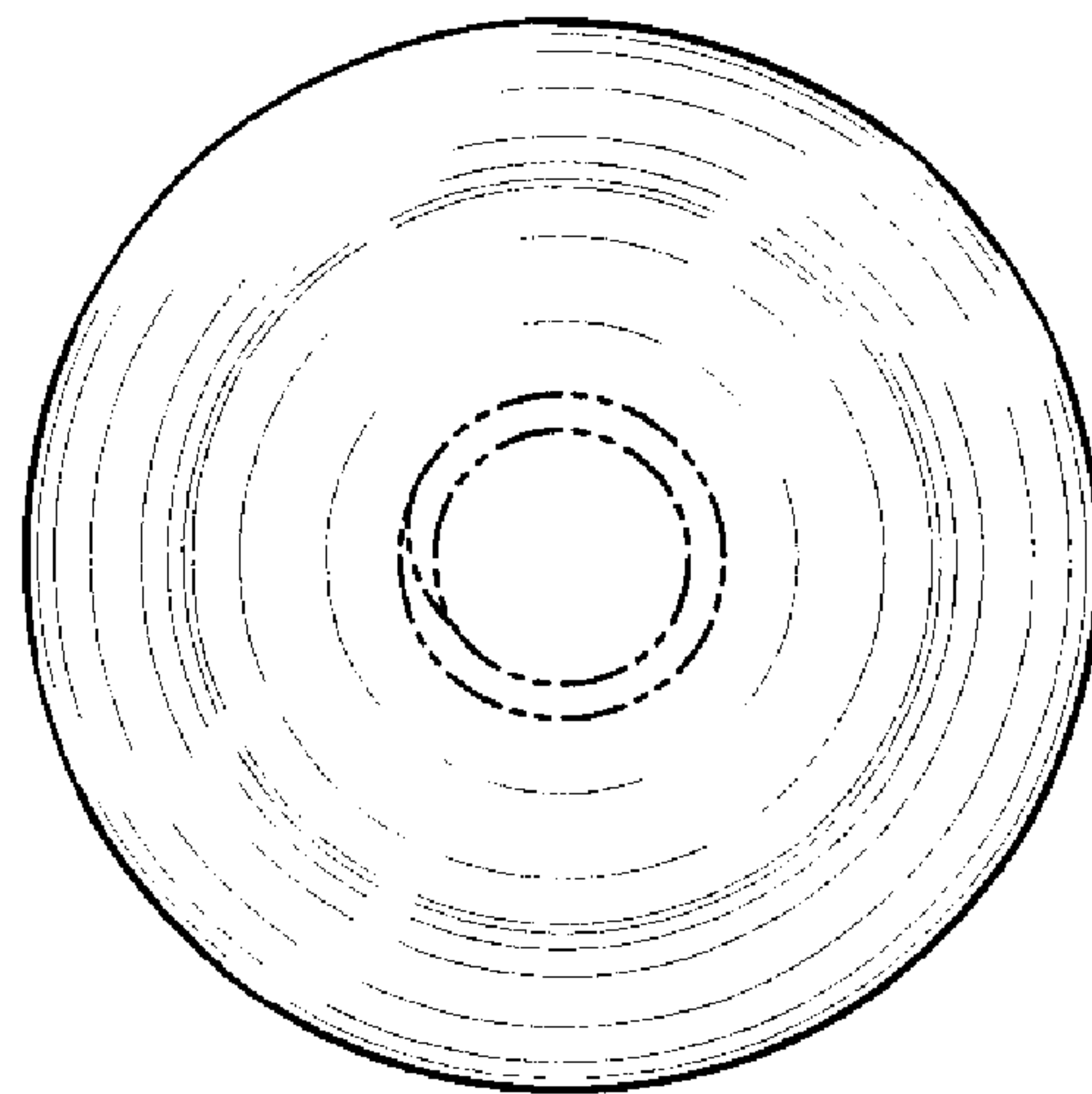


FIG. 6

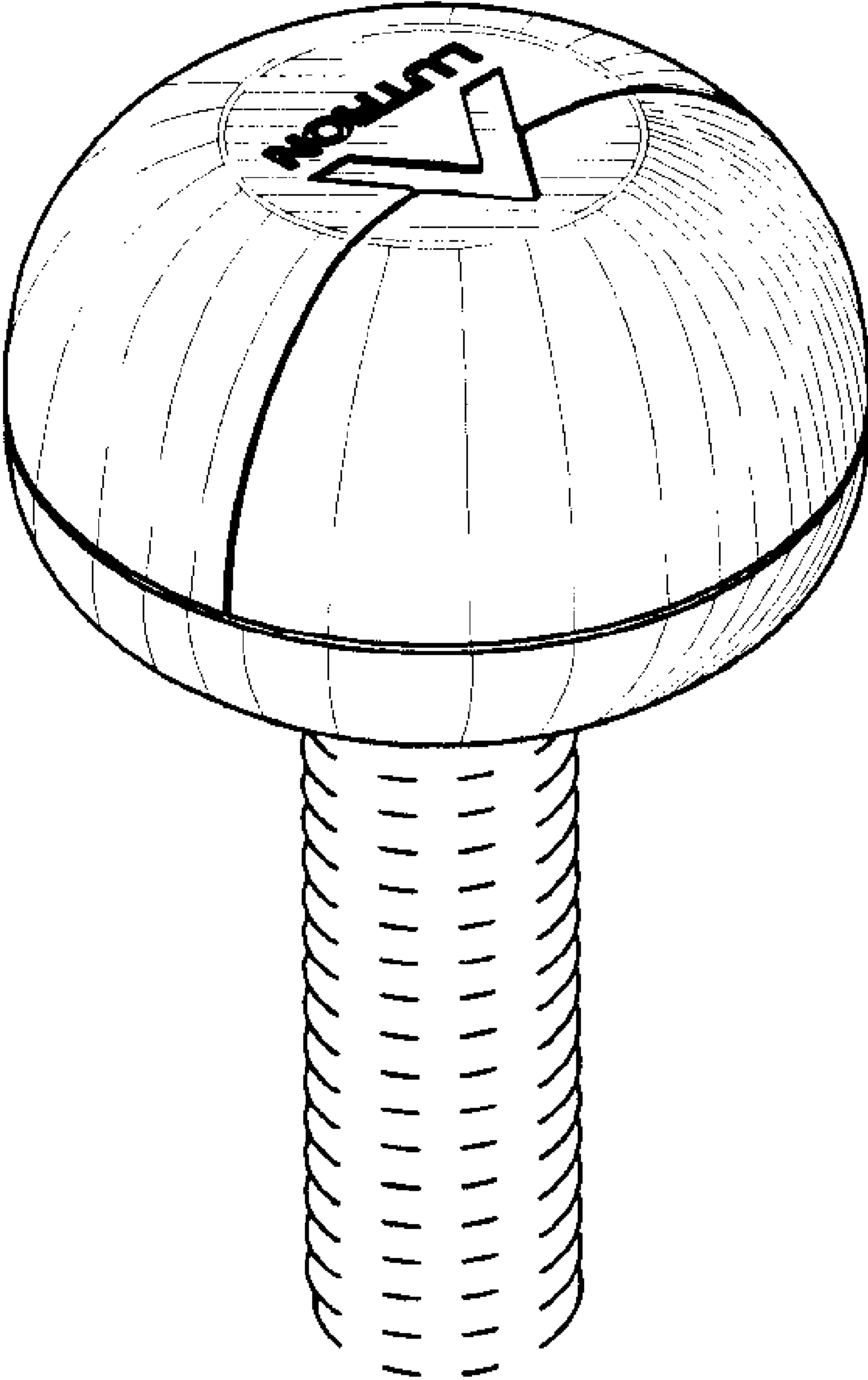


FIG. 7



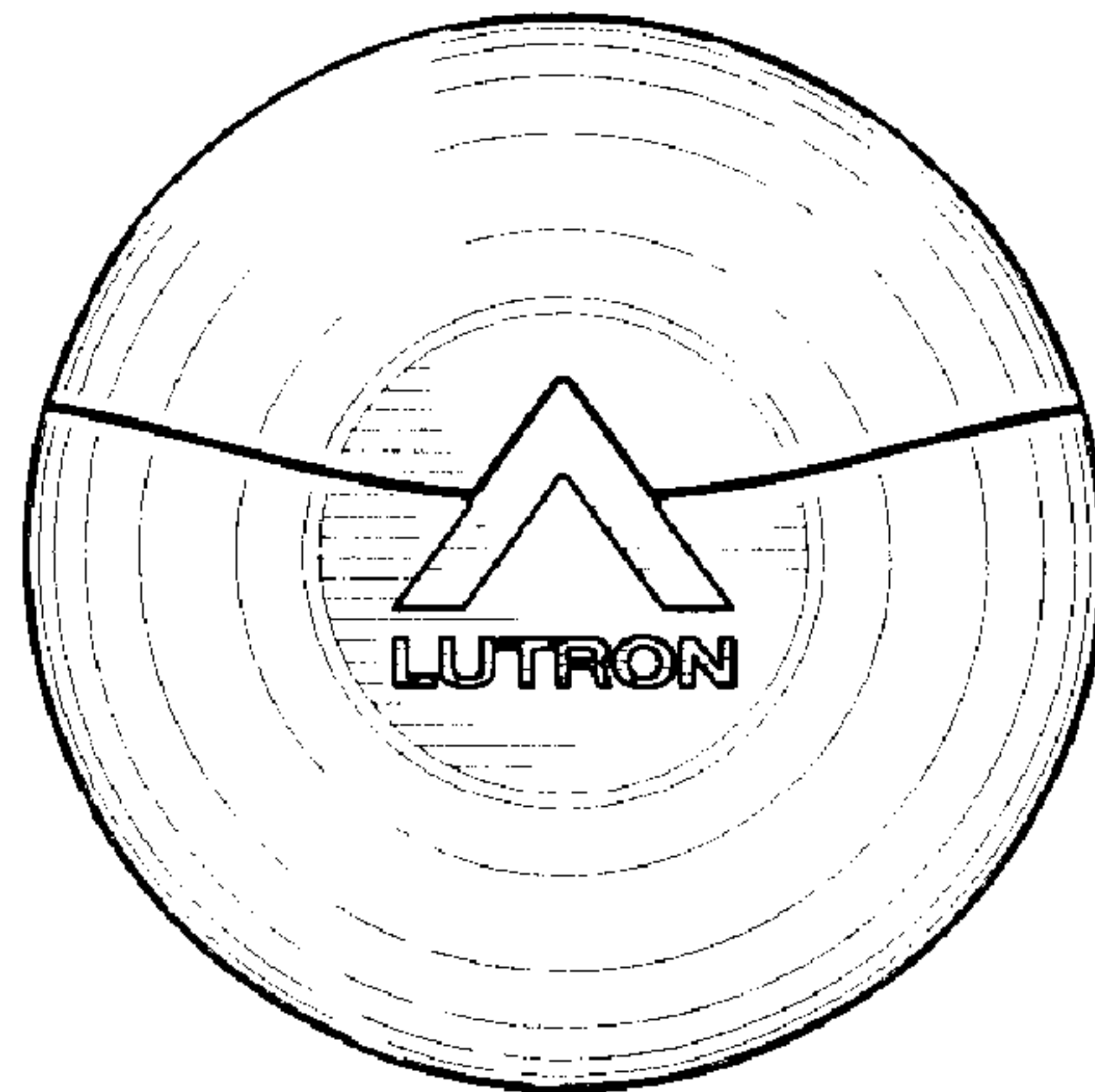


FIG. 8

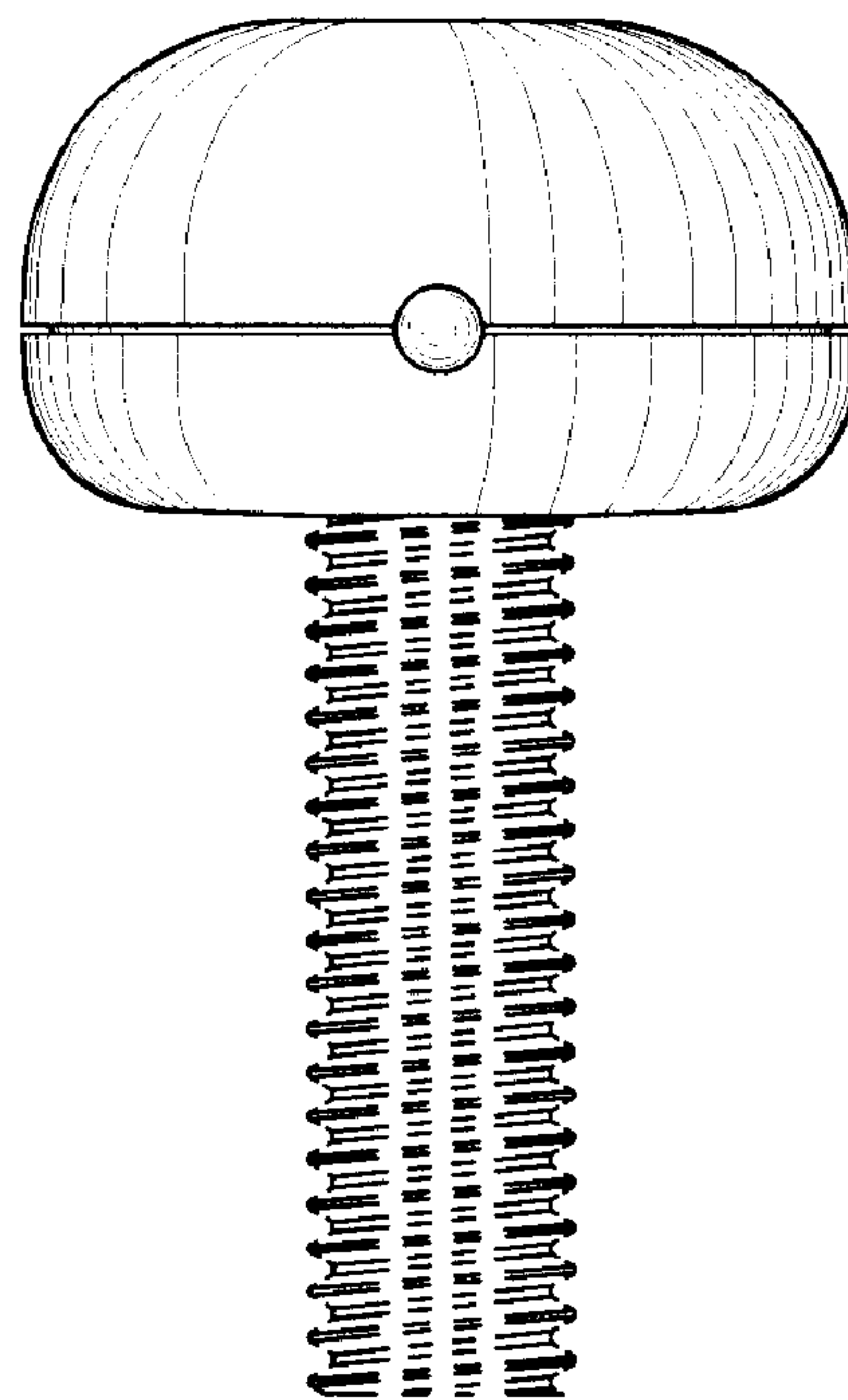


FIG. 9

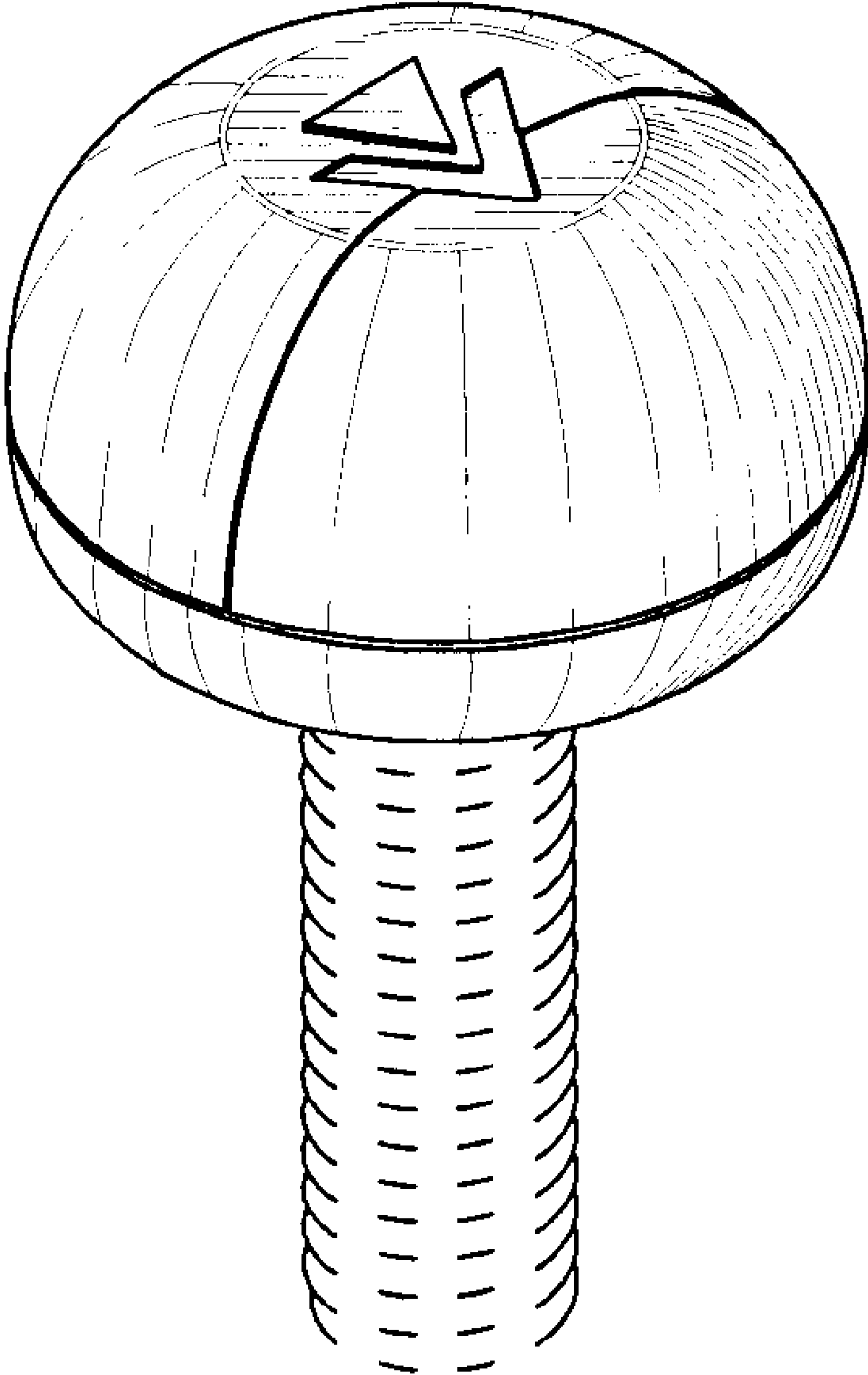


FIG. 10



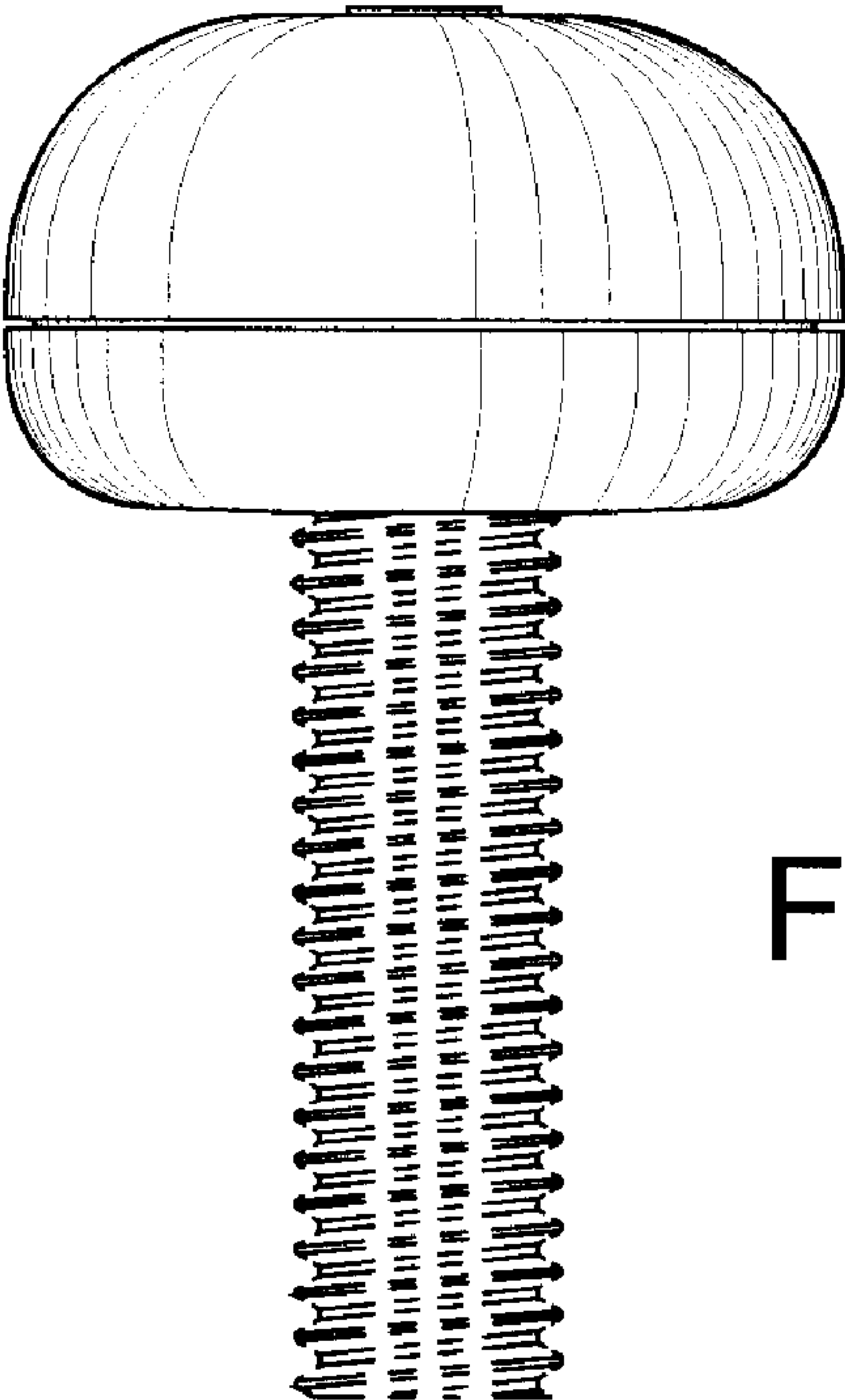


FIG. 11

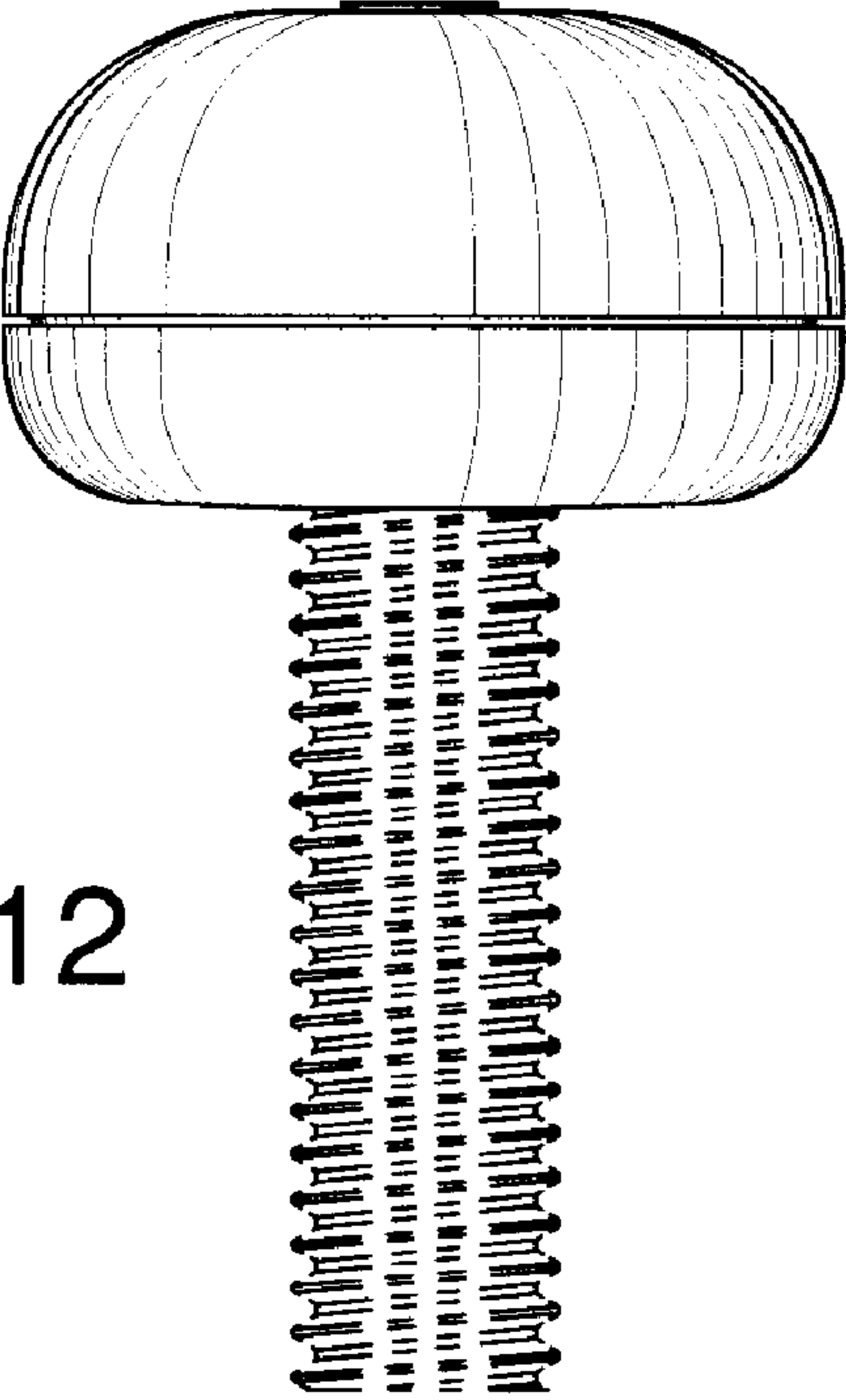


FIG. 12

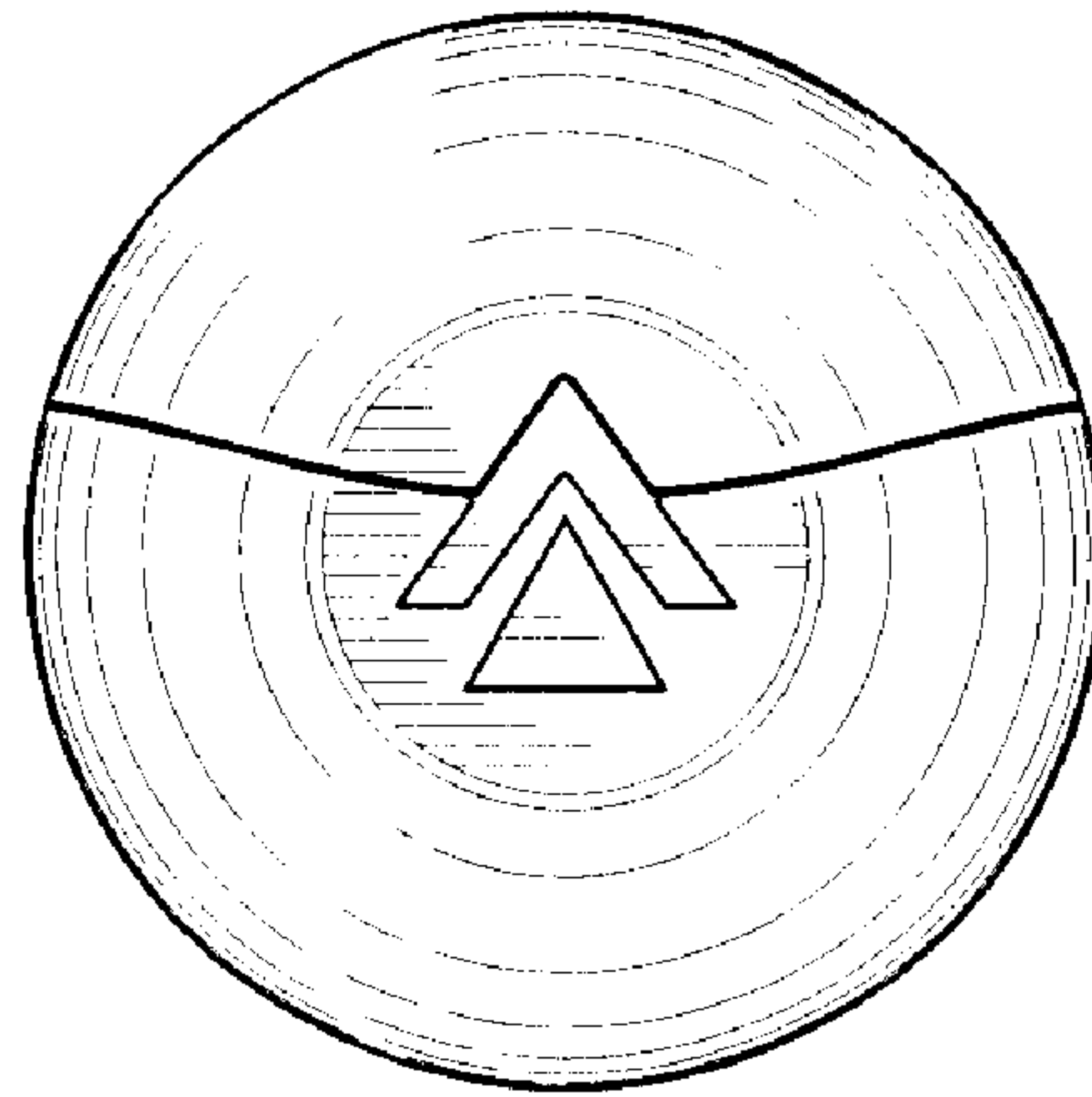


FIG. 13

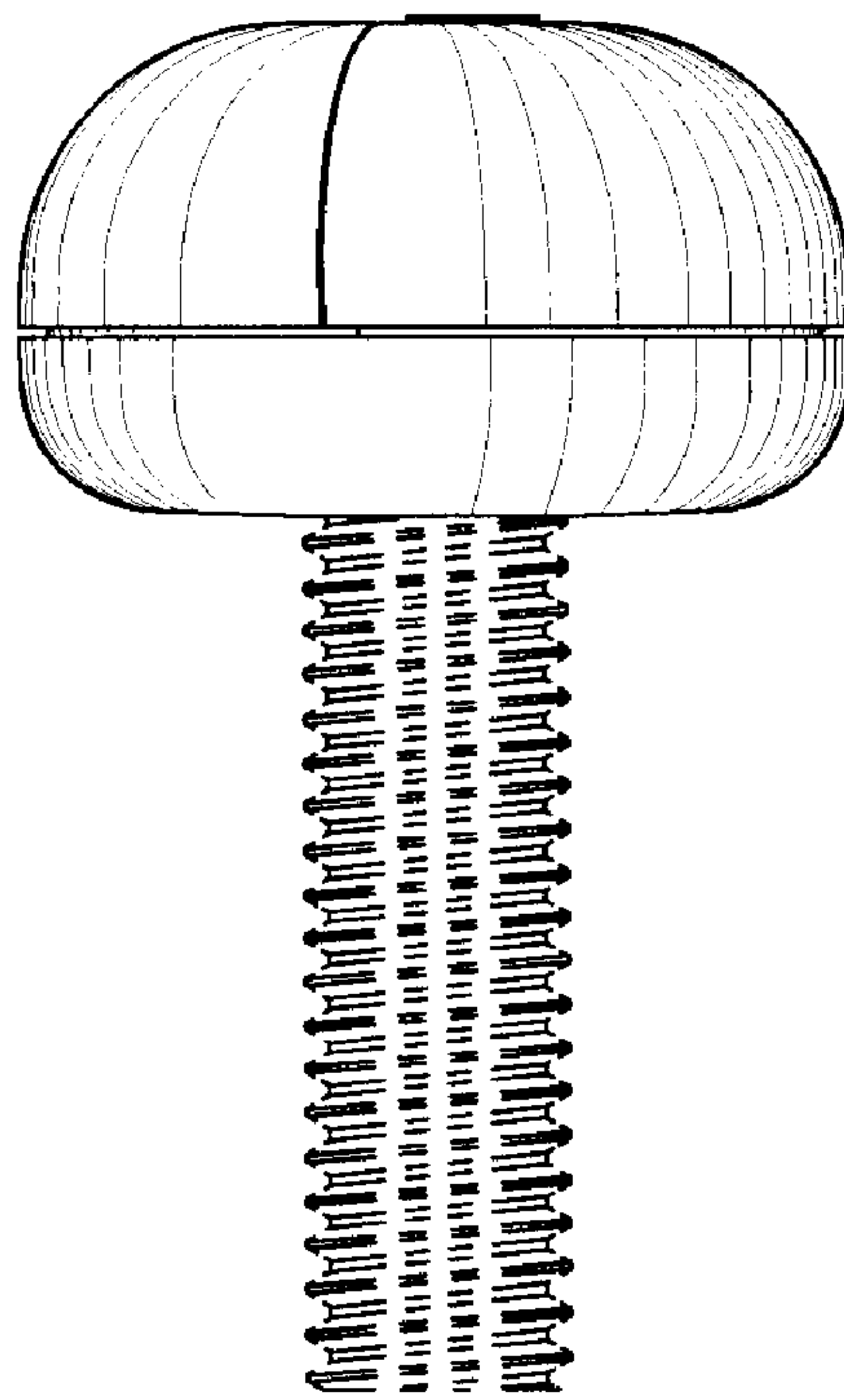


FIG. 14

UNITED STATES PATENT AND TRADEMARK OFFICE  
**CERTIFICATE OF CORRECTION**

PATENT NO. : Des. 516,043 S  
APPLICATION NO. : 29/213447  
DATED : February 28, 2006  
INVENTOR(S) : Jacoby et al.

Page 1 of 1

It is certified that error appears in the above-identified patent and that said Letters Patent is hereby corrected as shown below:

On the Title Page, Item (73) should read:

(73) Assignee: **Lutron Electronics Co., Inc.**,  
Coopersburg, PA (US)

Signed and Sealed this

First Day of August, 2006

A handwritten signature in black ink on a dotted background. The signature reads "Jon W. Dudas" in a cursive style.

JON W. DUDAS

*Director of the United States Patent and Trademark Office*