



US00D516034S

(12) **United States Design Patent**  
**Huang**

(10) **Patent No.:** **US D516,034 S**

(45) **Date of Patent:** **\*\* Feb. 28, 2006**

(54) **ELECTRICAL CONNECTOR**

(76) **Inventor:** **George Ying-Liang Huang**, 9  
Studebaker, Irvine, CA (US) 92618

(\*\*) **Term:** **14 Years**

(21) **Appl. No.:** **29/222,571**

(22) **Filed:** **Feb. 1, 2005**

(51) **LOC (8) Cl.** ..... **13-03**

(52) **U.S. Cl.** ..... **D13/147**

(58) **Field of Classification Search** ..... D13/133,  
D13/146, 147, 153-154, 184, 199; 439/607-610,  
439/680, 686

See application file for complete search history.

(56) **References Cited**

**U.S. PATENT DOCUMENTS**

D312,447 S	*	11/1990	Esslinger	.....	D13/133
5,267,882 A	*	12/1993	Davis	.....	439/680
D411,170 S	*	6/1999	Deutsch	.....	D13/146
D416,233 S	*	11/1999	Tsai	.....	D13/153
D416,869 S	*	11/1999	Tsai	.....	D13/153
6,036,544 A	*	3/2000	Brunker et al.	.....	439/607
D429,484 S	*	8/2000	Nishio et al.	.....	D13/147
D432,500 S	*	10/2000	Nishio et al.	.....	D13/147
D452,217 S	*	12/2001	Shimojyo	.....	D13/147

6,508,678 B1	*	1/2003	Yang	.....	439/677
D491,894 S	*	6/2004	Jiang	.....	D13/147
2004/0115990 A1	*	6/2004	Kodama	.....	439/607
2005/0023027 A1	*	2/2005	Lin	.....	174/112

\* cited by examiner

*Primary Examiner*—Stella Reid

*Assistant Examiner*—Daniel Bui

(74) *Attorney, Agent, or Firm*—Darby & Darby

(57) **CLAIM**

The ornamental design for an electrical connector, as shown and described.

**DESCRIPTION**

FIG. 1 is a perspective view of an electrical connector showing my new design;

FIG. 2 is a front elevational view thereof;

FIG. 3 is a rear elevational view thereof;

FIG. 4 is a left side elevational view thereof;

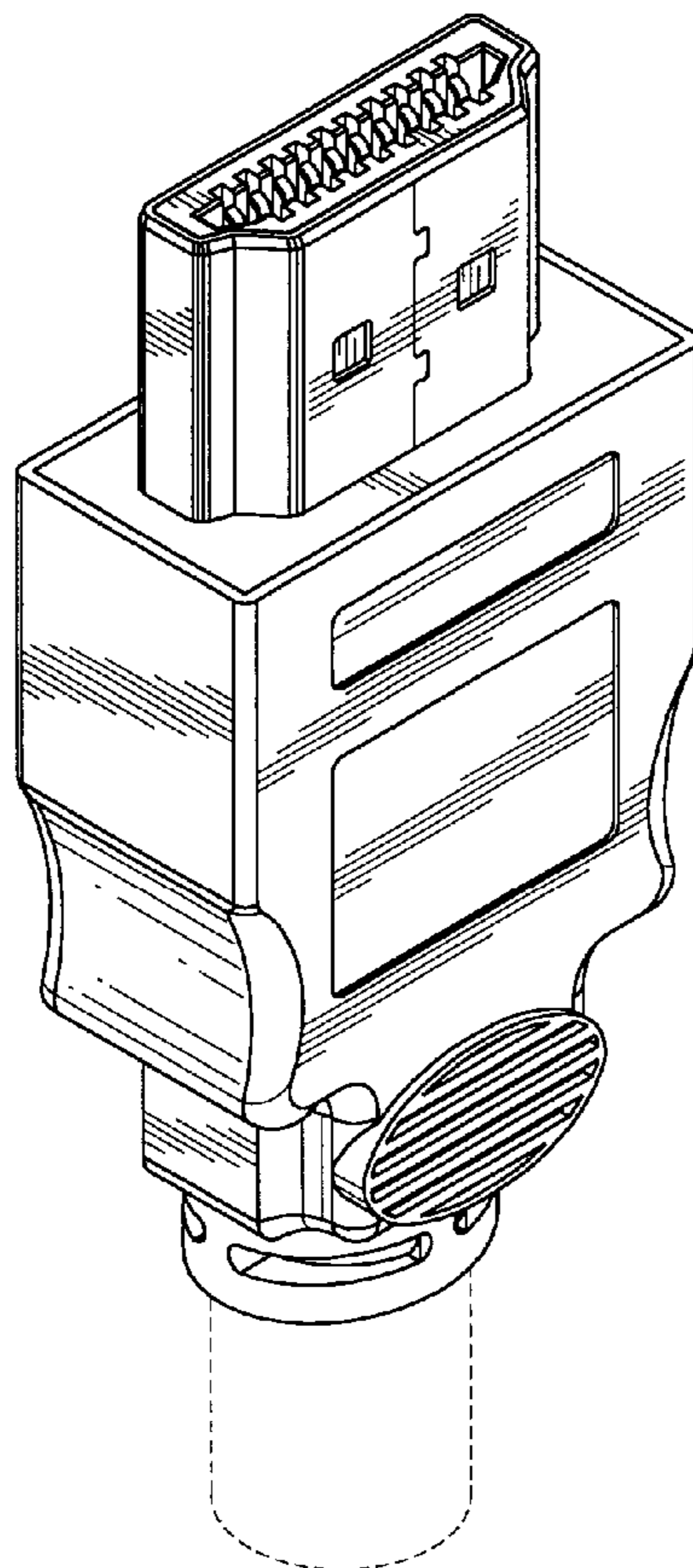
FIG. 5 is a right side elevational view thereof;

FIG. 6 is a top plan view thereof; and,

FIG. 7 is a bottom plan view thereof.

The broken line showing of the environment is for illustrative purposes only and forms no part of the claimed design.

**1 Claim, 3 Drawing Sheets**



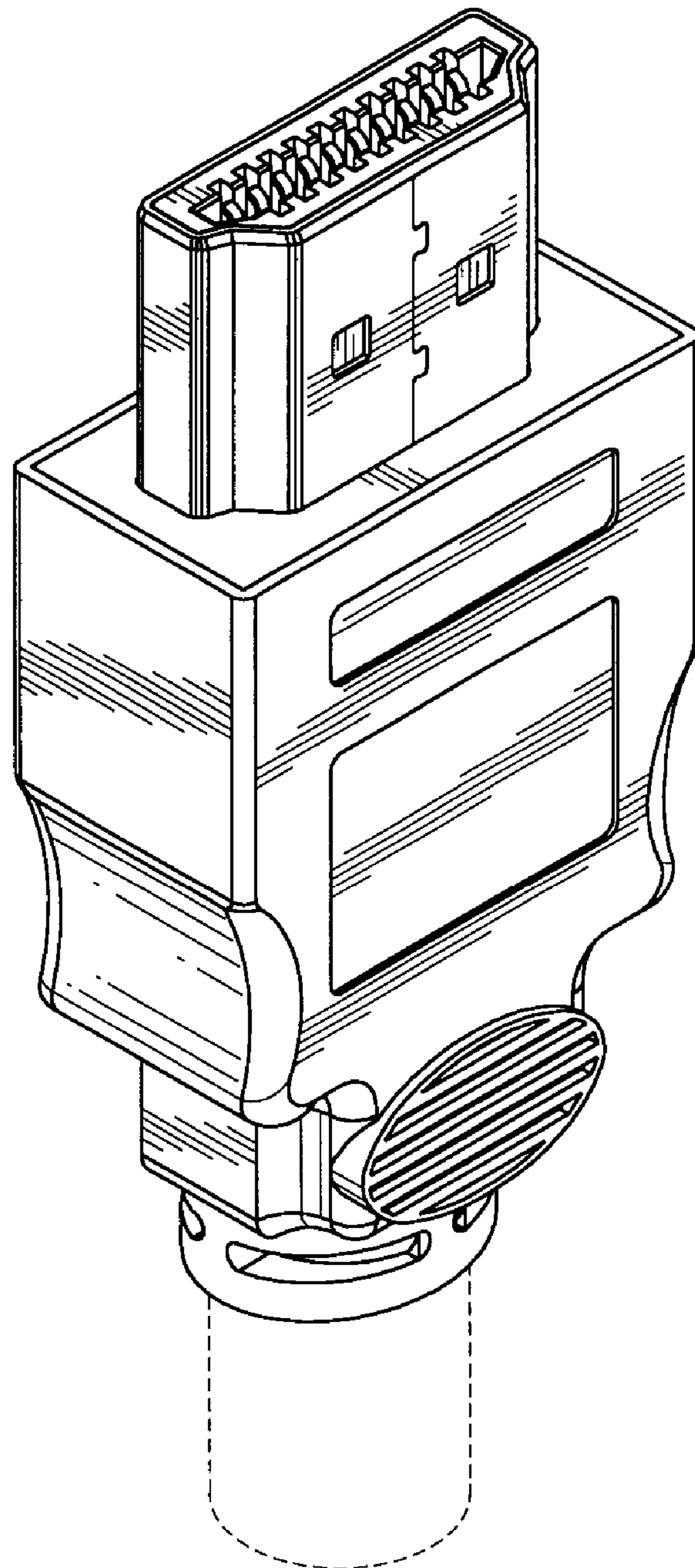


FIG. 1

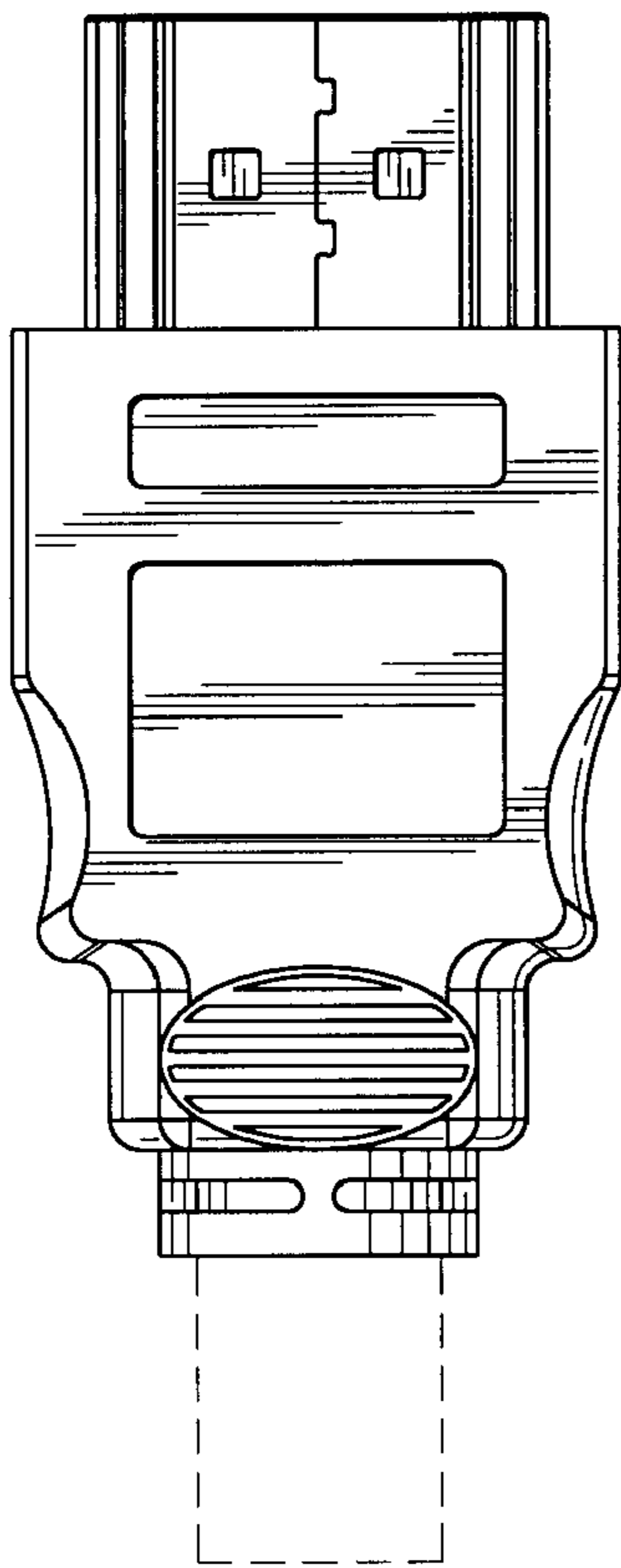


FIG. 2

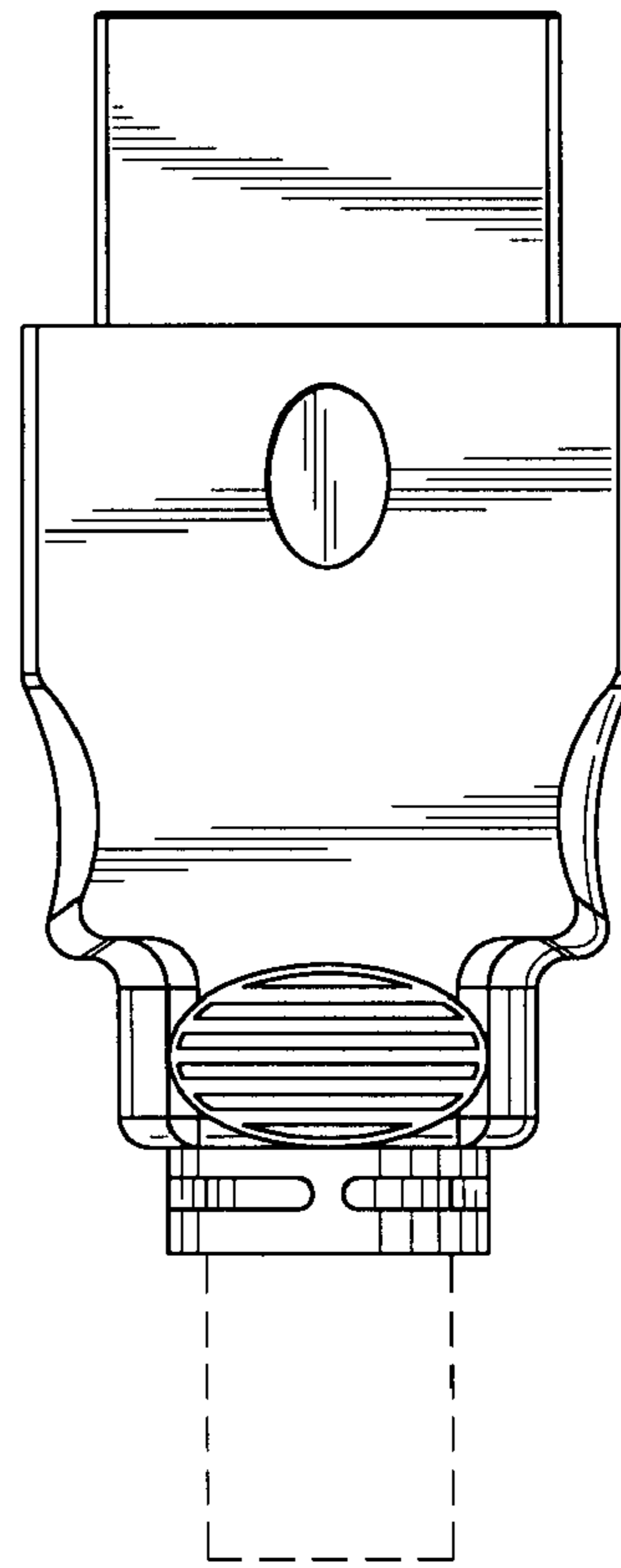


FIG. 3

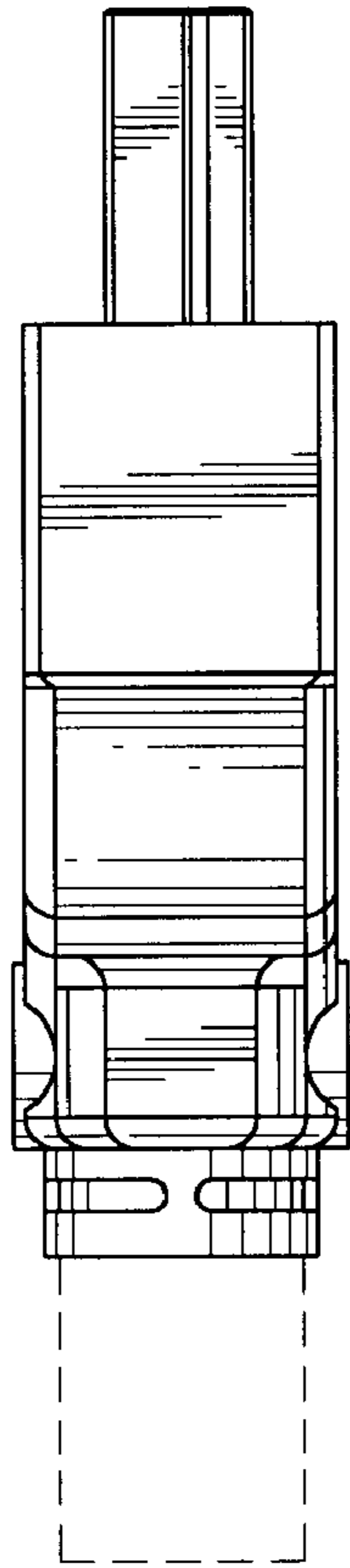


FIG. 4

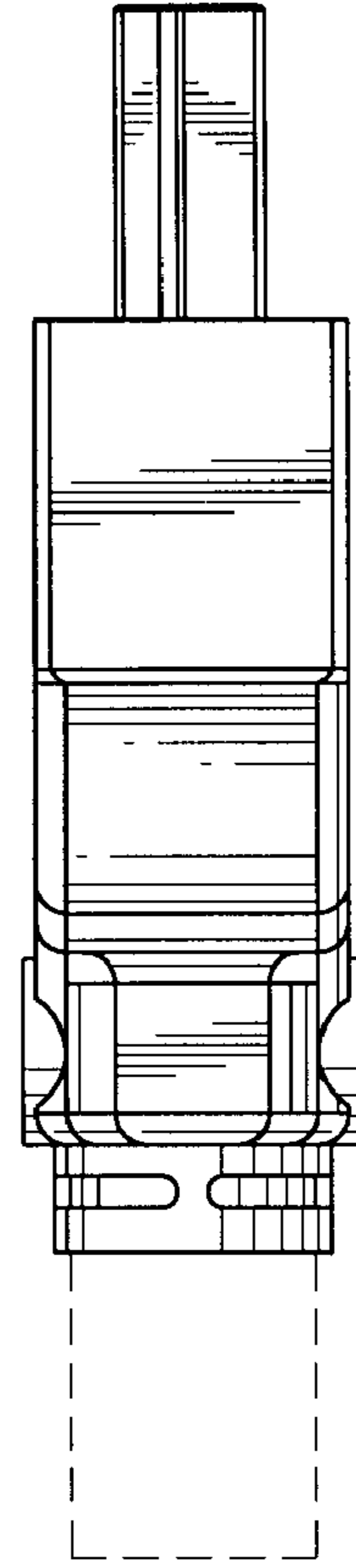


FIG. 5

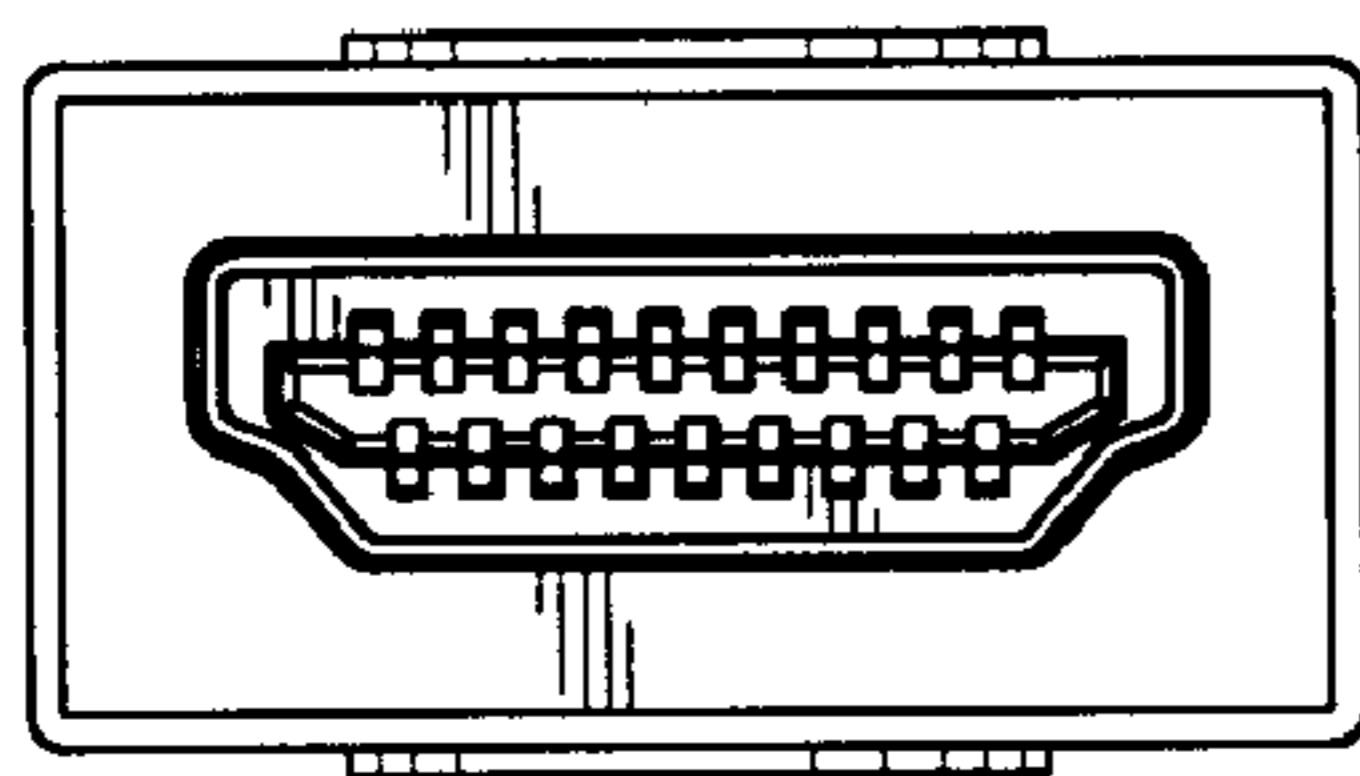


FIG. 6

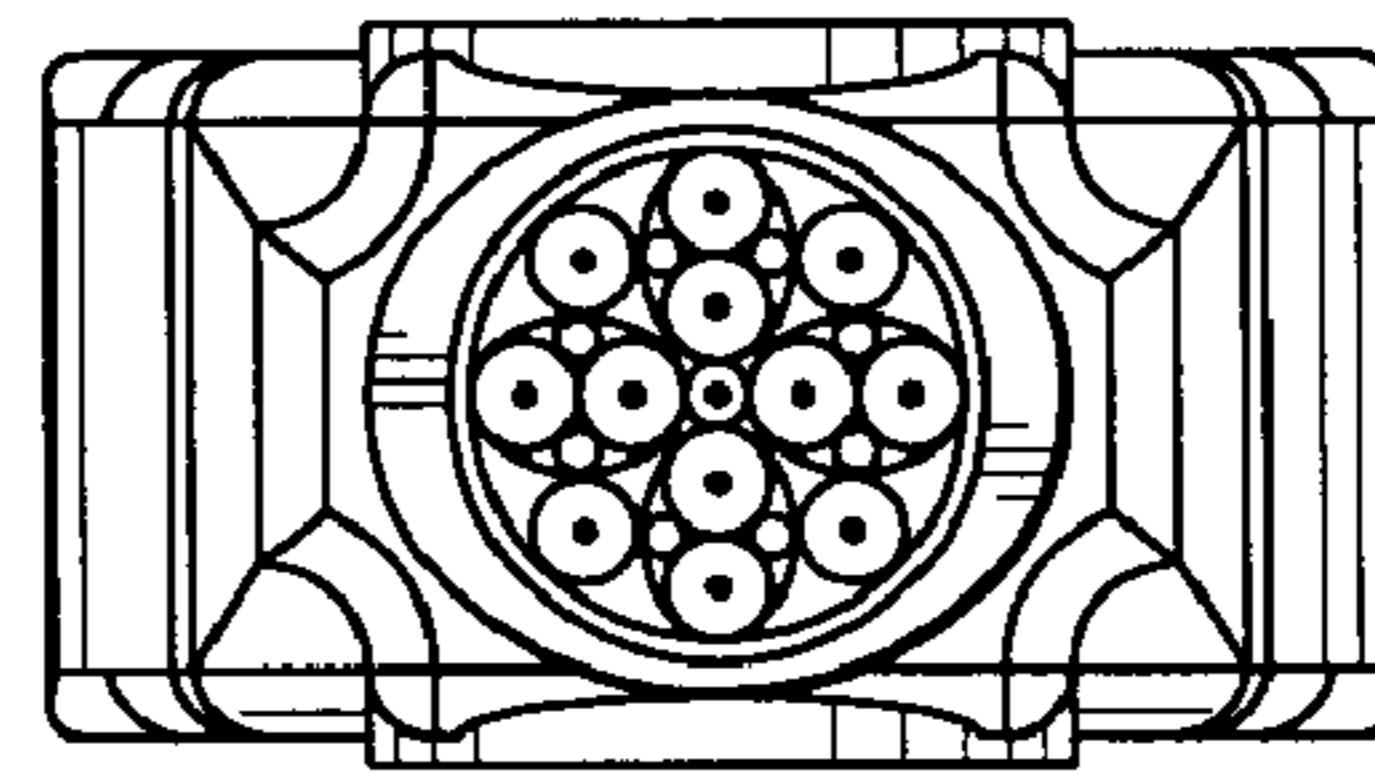


FIG. 7